



US00D366537S

United States Patent [19]

[11] Patent Number: **Des. 366,537**

Johnsen et al.

[45] Date of Patent: ****Jan. 23, 1996**

[54] **FLOSS DISPENSER**

[75] Inventors: **James B. Johnsen; Hal J. Oien**, both of Beaverton, Oreg.; **Delbert L. Rice**, Vancouver, Wash.

[73] Assignee: **Jordco, Inc.**, Beaverton, Oreg.

[**] Term: **14 Years**

[21] Appl. No.: **36,751**

[22] Filed: **Mar. 27, 1995**

[52] U.S. Cl. **D28/64**

[58] Field of Search D28/64; 132/323-329

2,929,541	3/1960	Castelli et al.	D28/64 X
2,942,764	6/1960	Castelli .	
2,967,651	1/1961	Zackheini et al.	D28/64 X
3,071,299	1/1963	Brown .	
3,136,462	6/1964	Knutson .	
3,246,815	4/1966	Aronson .	
3,265,264	8/1966	Stephens .	
4,026,063	5/1977	Allen et al. .	
4,634,077	1/1987	Wilson .	
4,925,073	5/1990	Tarrson et al. .	
5,054,674	10/1991	Fortman .	
5,160,077	11/1992	Sticklin .	
5,282,563	2/1994	Oliver et al. .	

Primary Examiner—M. H. Tung
Attorney, Agent, or Firm—Kolisich Hartwell Dickinson McCormack & Heuser

[56] **References Cited**

U.S. PATENT DOCUMENTS

199,040	1/1878	Doak .	
D. 256,999	9/1980	Haagedoom et al.	D28/64
D. 341,909	11/1993	Schneider	D28/64
D. 356,655	3/1995	Maniago	D28/64
745,833	12/1903	Hanson .	
750,574	1/1904	Bicket .	
810,292	1/1906	Meaker .	
897,822	9/1908	Dougherty .	
1,287,926	12/1918	Ecaubert .	
2,371,686	3/1945	Gaulke .	
2,479,710	8/1949	Arnold .	
2,488,492	11/1949	Dumbleton .	
2,681,772	6/1954	Charney .	
2,707,782	5/1955	Eby .	

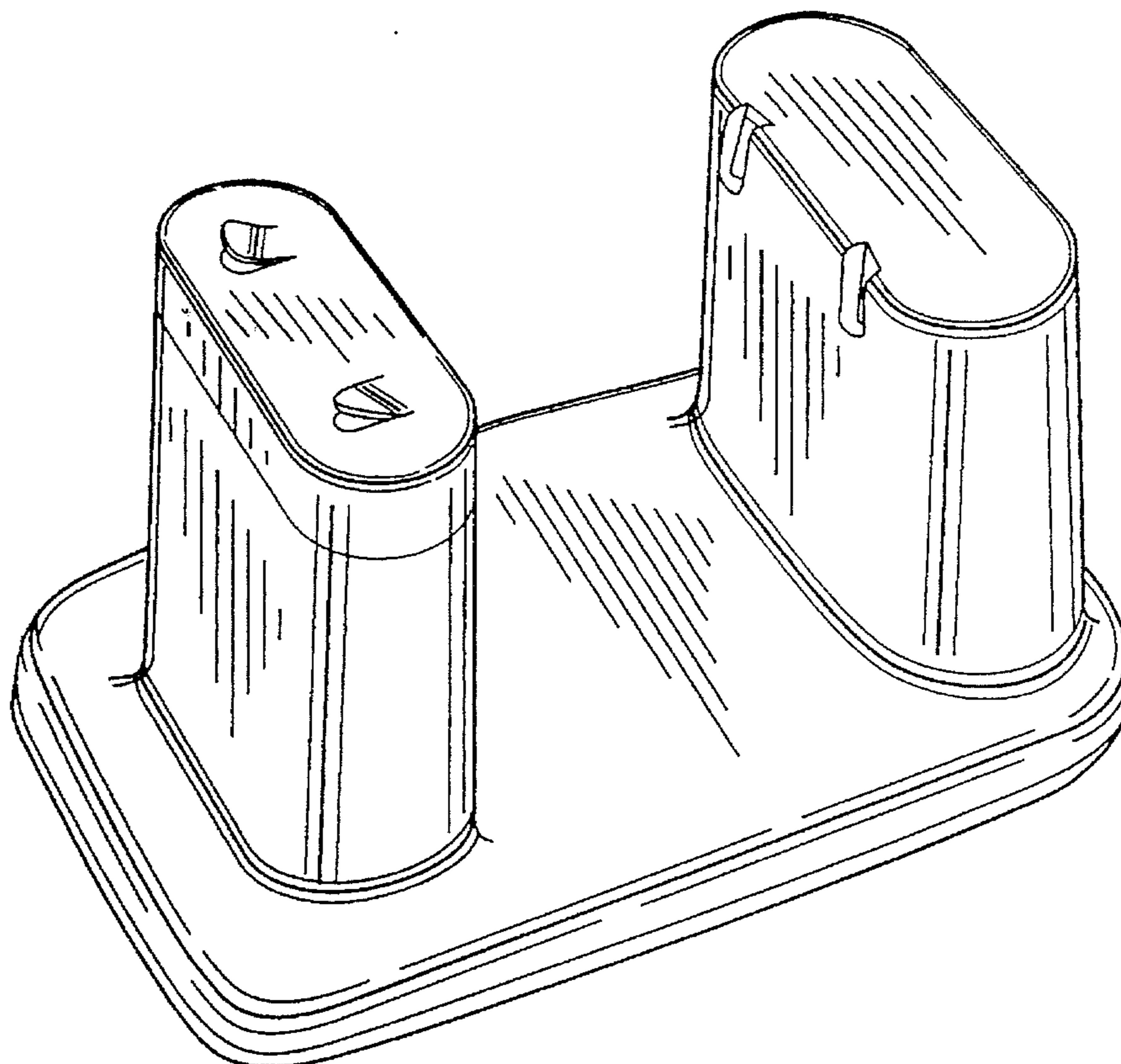
[57] **CLAIM**

The ornamental design for a floss dispenser, as shown and described.

DESCRIPTION

FIG. 1 is an isometric view of a floss dispenser constructed in accordance with the present invention;
FIG. 2 is a top plan view;
FIG. 3 is a left side elevational view, the right side elevational view being a mirror image thereof;
FIG. 4 is a bottom plan view;
FIG. 5 is a front elevational view; and,
FIG. 6 is a back elevational view.

1 Claim, 1 Drawing Sheet



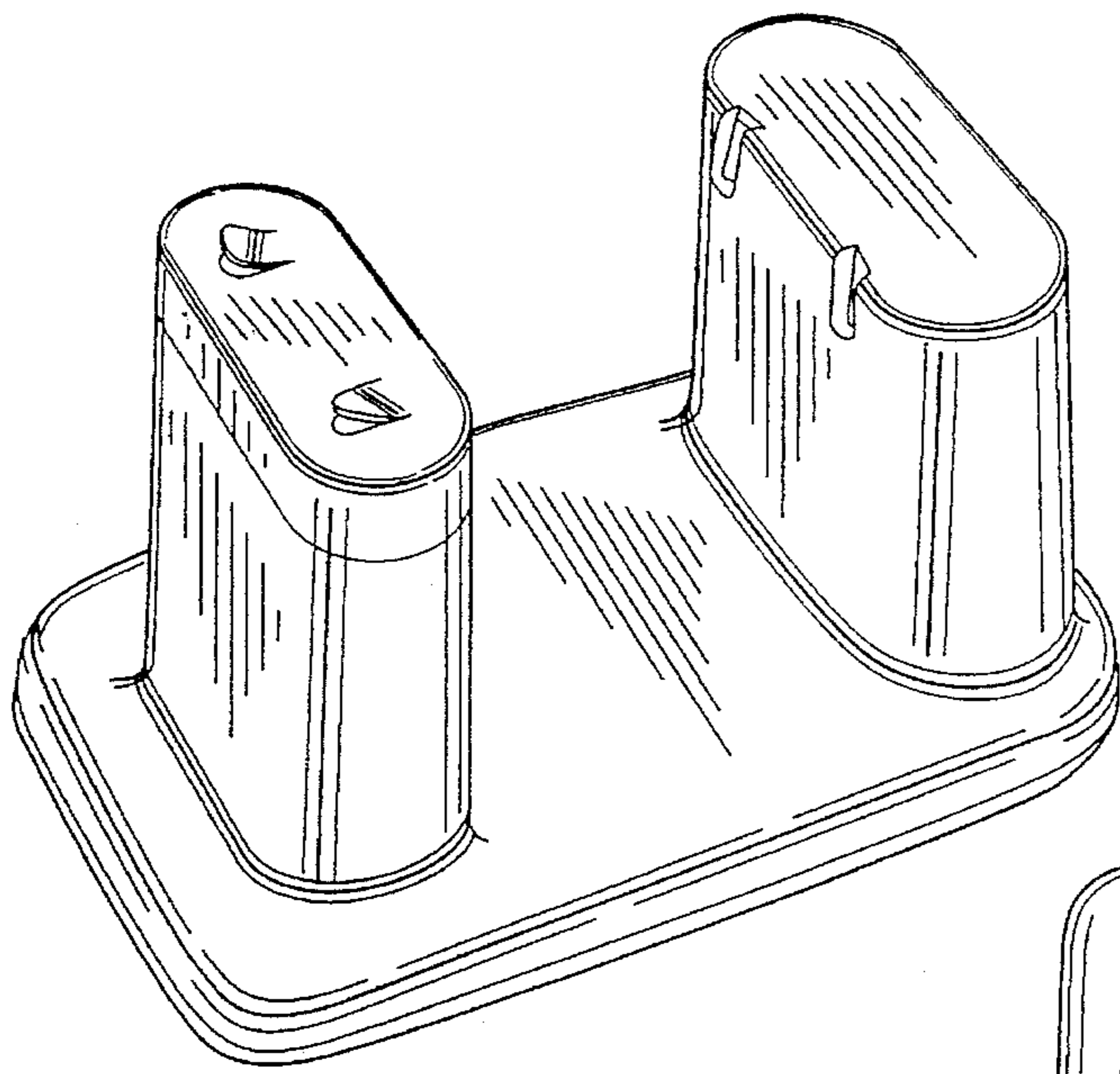


FIG. 1

FIG. 2

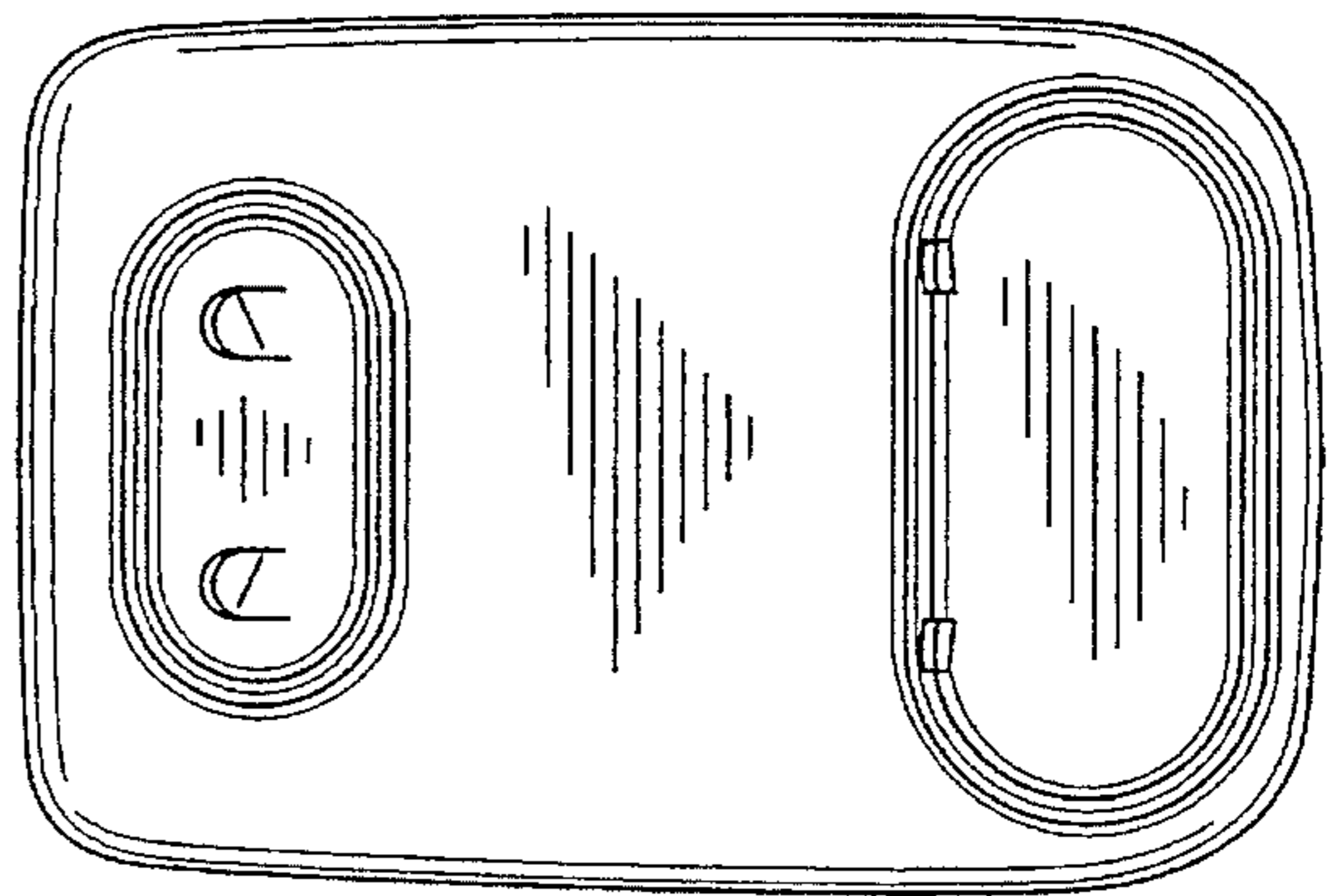


FIG. 4

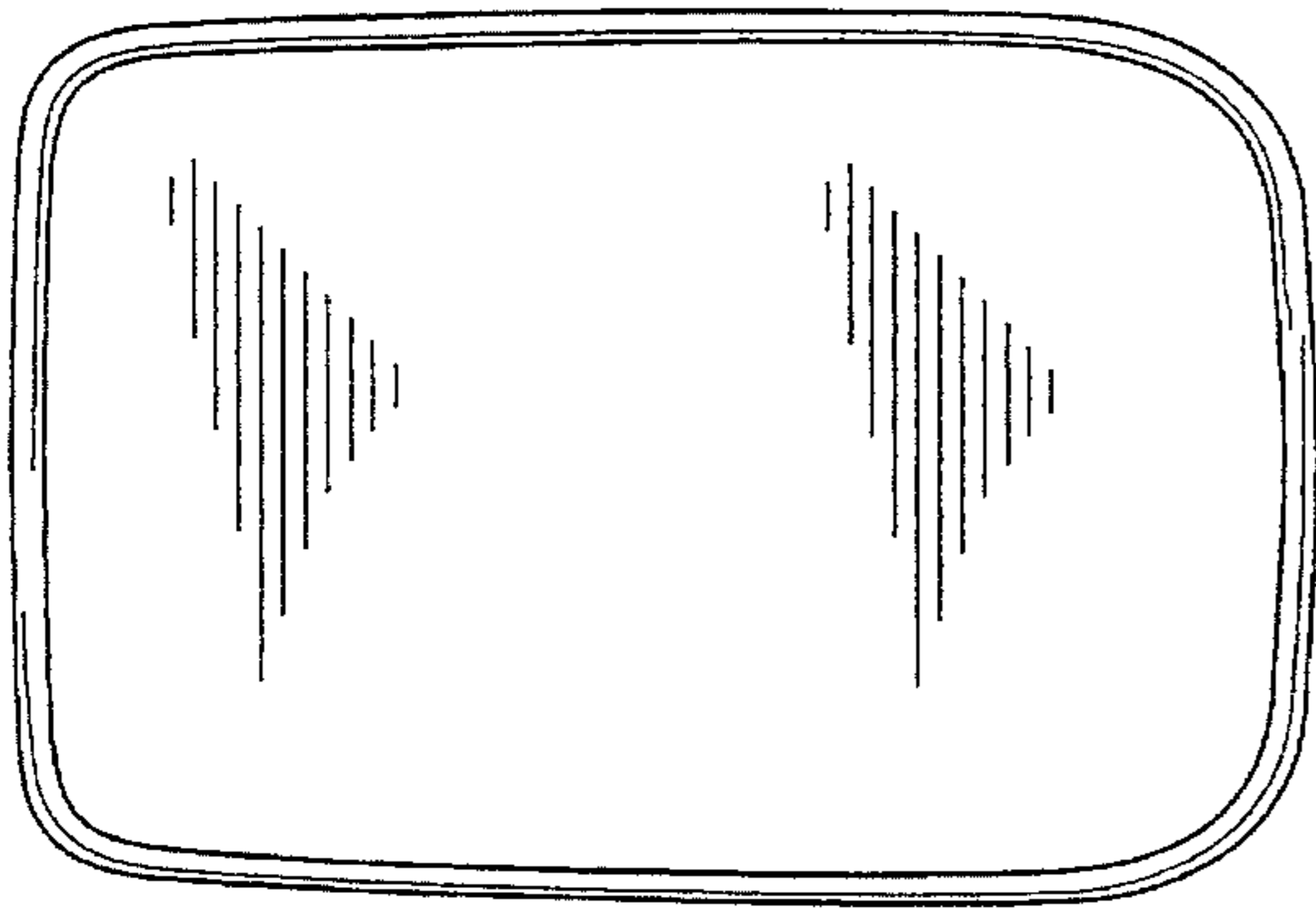


FIG. 3

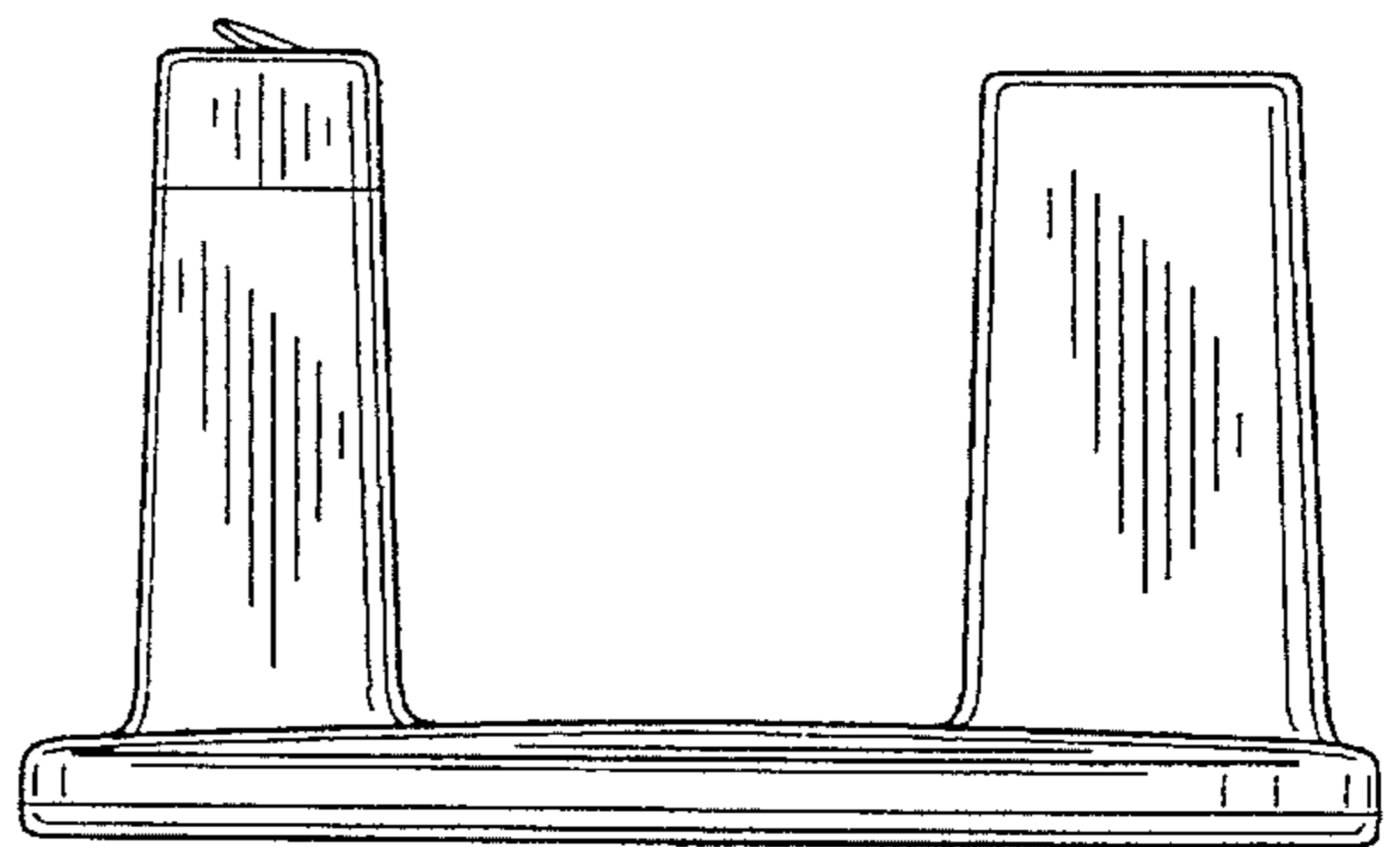


FIG. 5

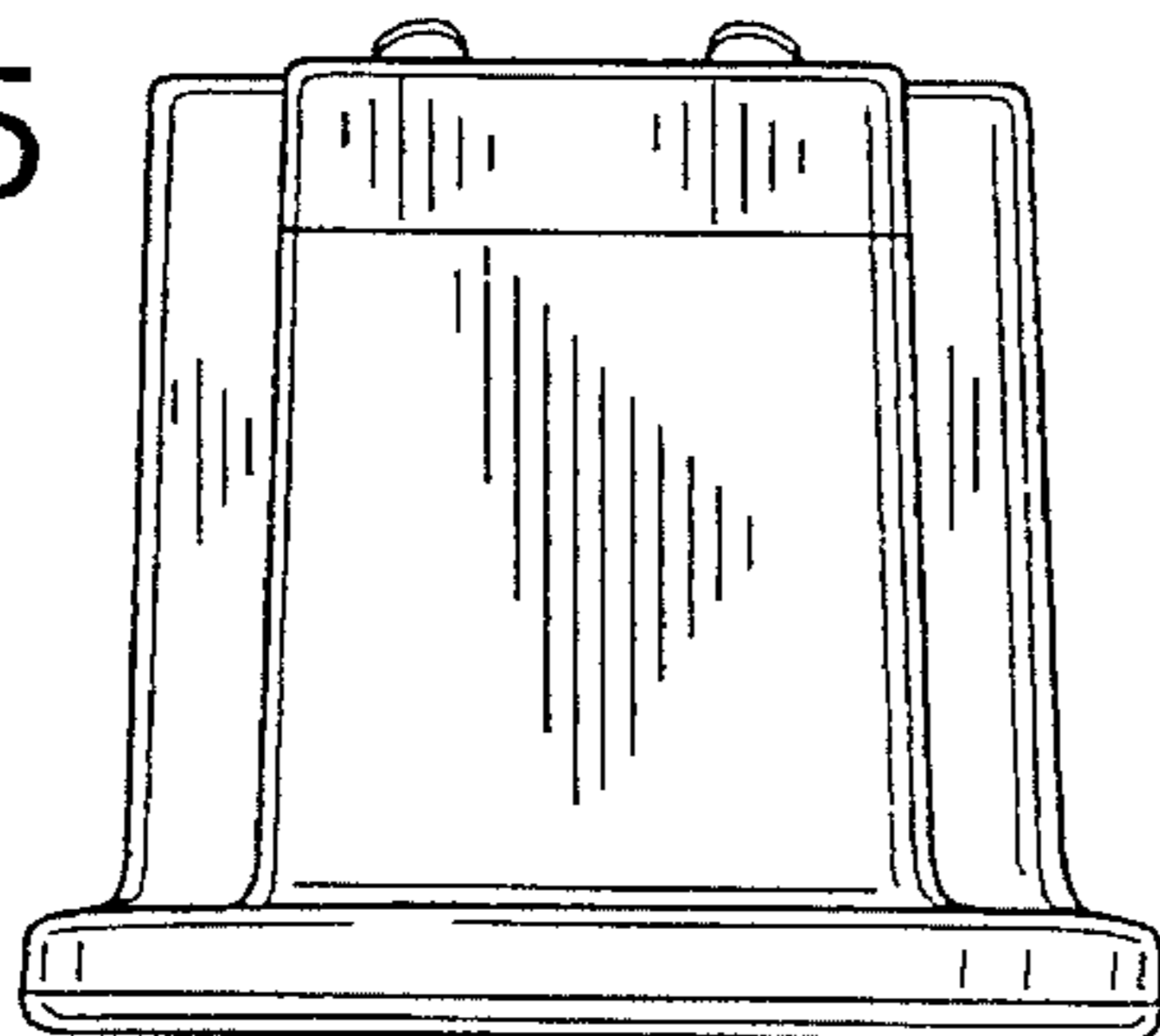


FIG. 6

