



US00D366536S

United States Patent [19] Shemitz

[11] Patent Number: **Des. 366,536**

[45] Date of Patent: ****Jan. 23, 1996**

[54] **LUMINAIRE**

[75] Inventor: **Sylvan R. Shemitz**, Woodbridge, Conn.

[73] Assignee: **Sylvan R. Shemitz Associates, Inc.**,
West Haven, Conn.

[**] Term: **14 Years**

[21] Appl. No.: **29,086**

[22] Filed: **Sep. 29, 1994**

[52] U.S. Cl. **D26/88; D26/84**

[58] Field of Search **D26/72, 80-92;**
362/147, 404-408, 432, 249, 237

[56] **References Cited**

U.S. PATENT DOCUMENTS

D. 356,876	3/1995	Waldmann	D26/72 X
D. 360,049	7/1995	Shemitz	D26/85 X
4,747,025	5/1988	Barton	362/147

OTHER PUBLICATIONS

Elliptipar, Inc. Drawing No. 100/S/83/D/220, Aug. 3, 1983.
Elliptipar, Inc. Drawing No. 100/S/85/D-358, Jul. 18, 1985,
and related photograph.

Primary Examiner—Susan J. Lucas
Attorney, Agent, or Firm—Fish & Neave; Jeffrey H. Ingerman

[57] **CLAIM**

The ornamental design for a luminaire, as shown and described.

DESCRIPTION

FIG. 1 is a front, left, top, perspective view of a luminaire, showing my new design;
FIG. 2 is a left side elevational view thereof, the right side being a mirror image thereof;
FIG. 3 is a front elevational view thereof;
FIG. 4 is a top plan view thereof;
FIG. 5 is a bottom plan view thereof;
FIG. 6 is a rear elevational view thereof;
FIG. 7 is top, left, front perspective view showing a second embodiment of my new design;
FIG. 8 is a side elevational view thereof, the left and right sides being identical;
FIG. 9 is a front elevational view thereof, the rear being identical;
FIG. 10 is a top plan view thereof; and,
FIG. 11 is a bottom plan view thereof.

1 Claim, 7 Drawing Sheets

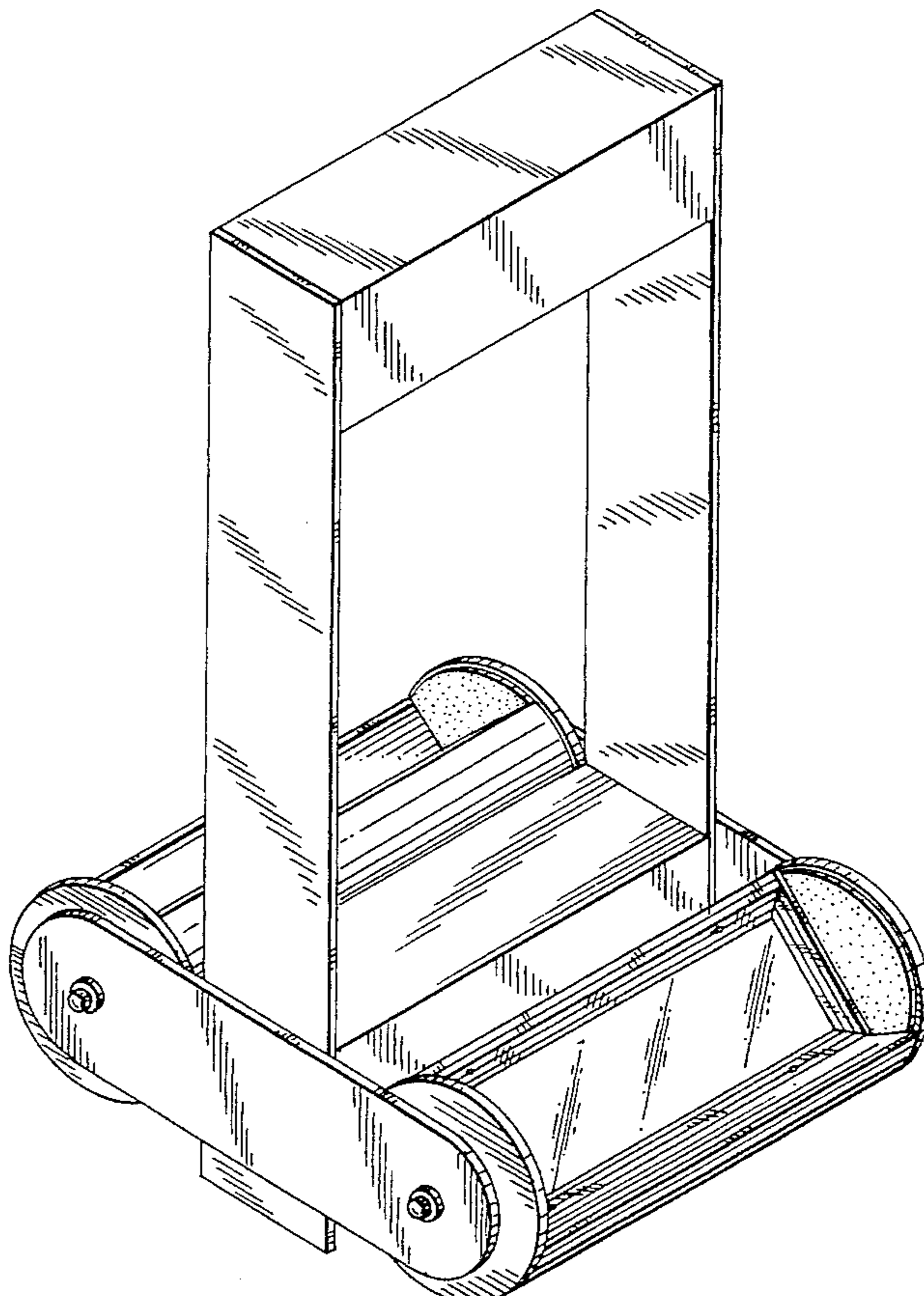
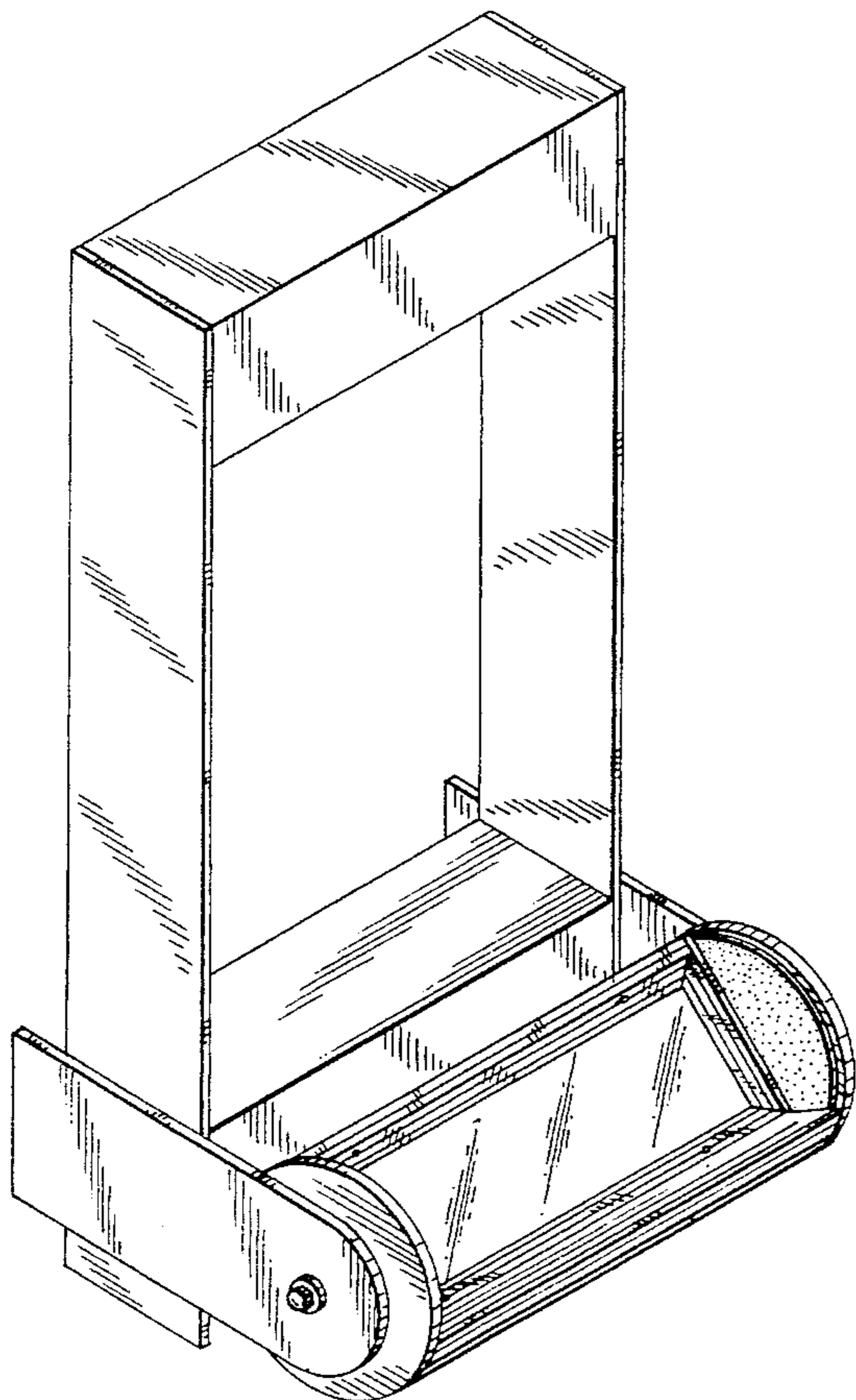
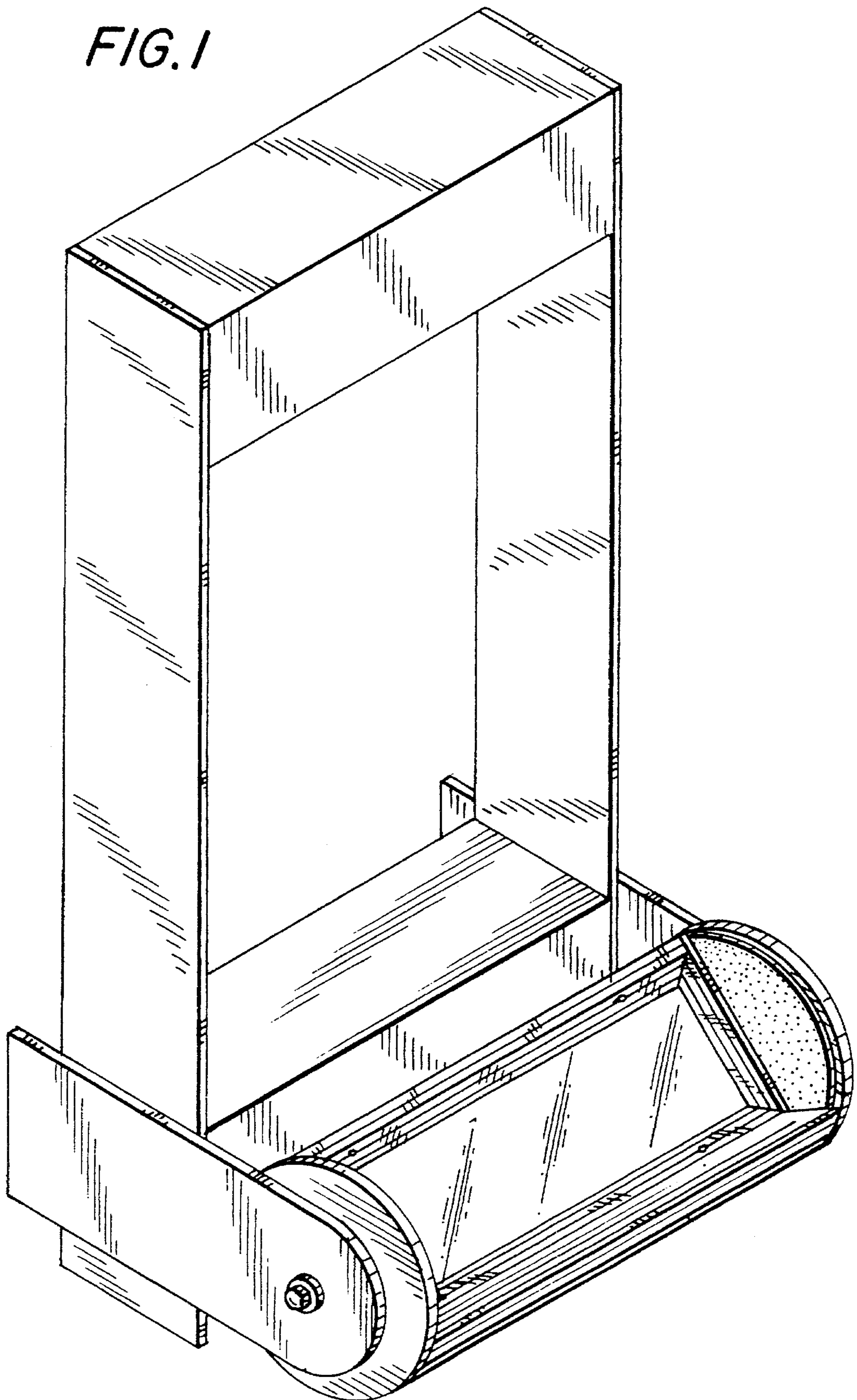


FIG. 1



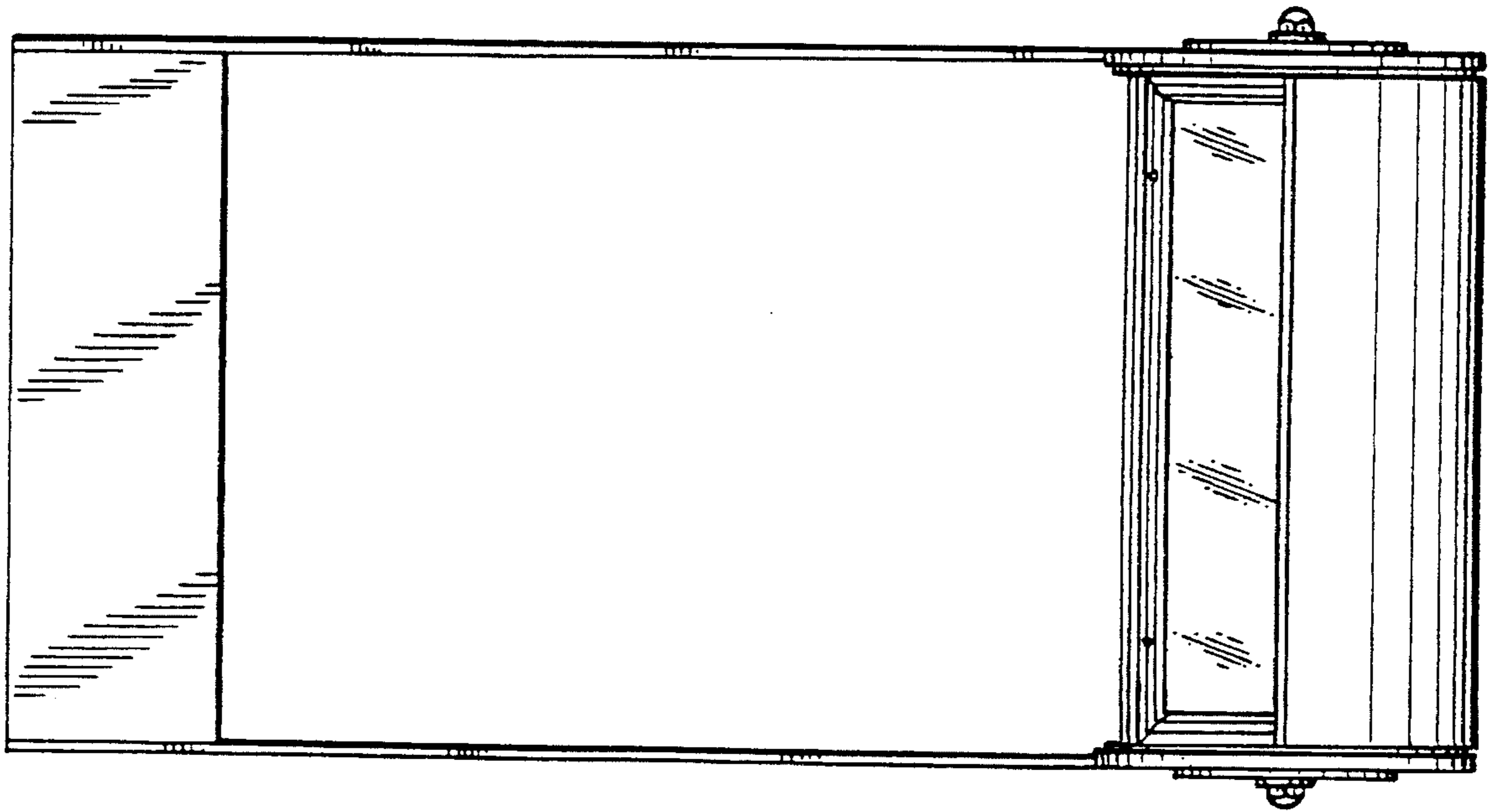


FIG. 3

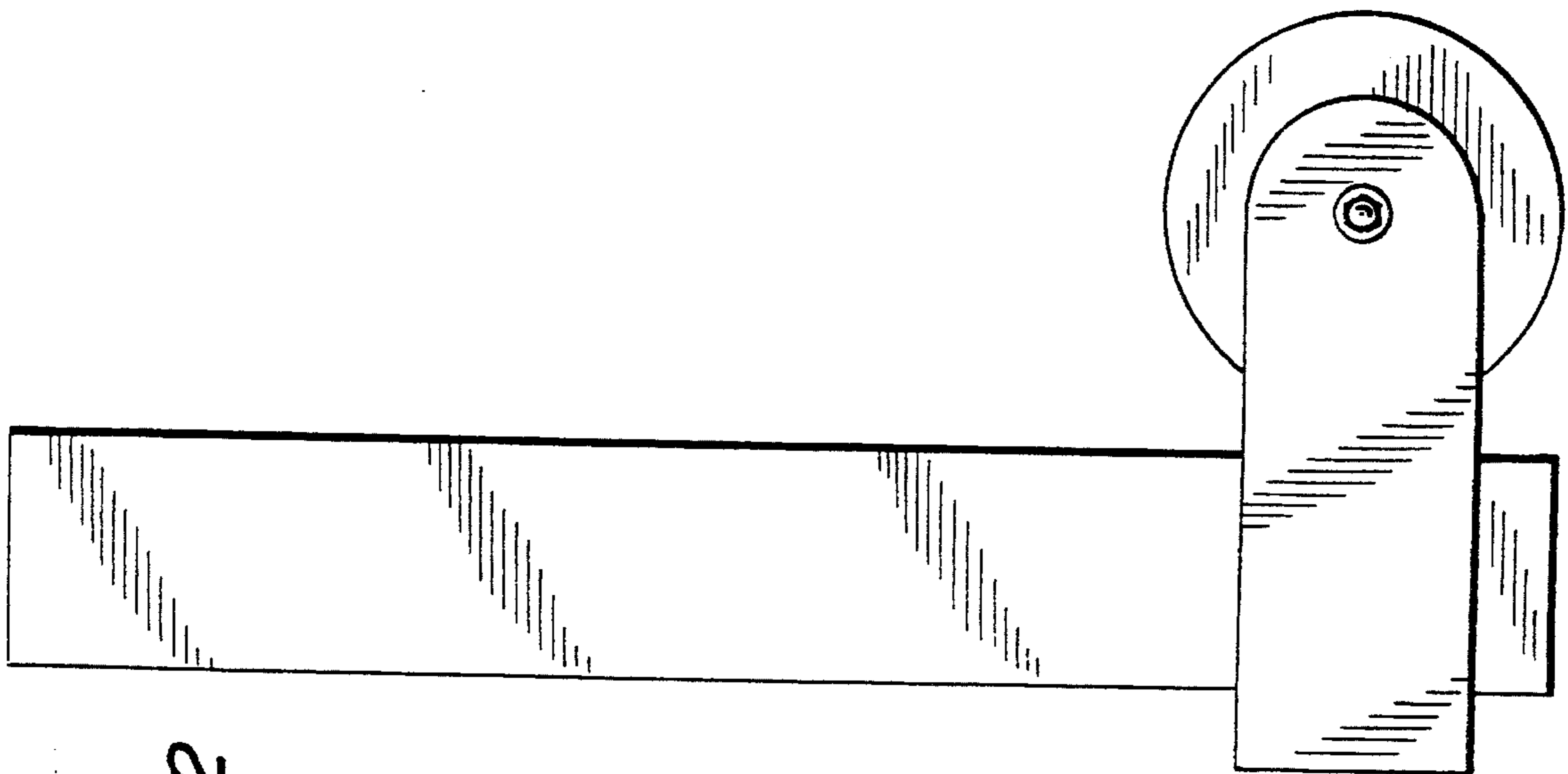


FIG. 2

FIG. 4

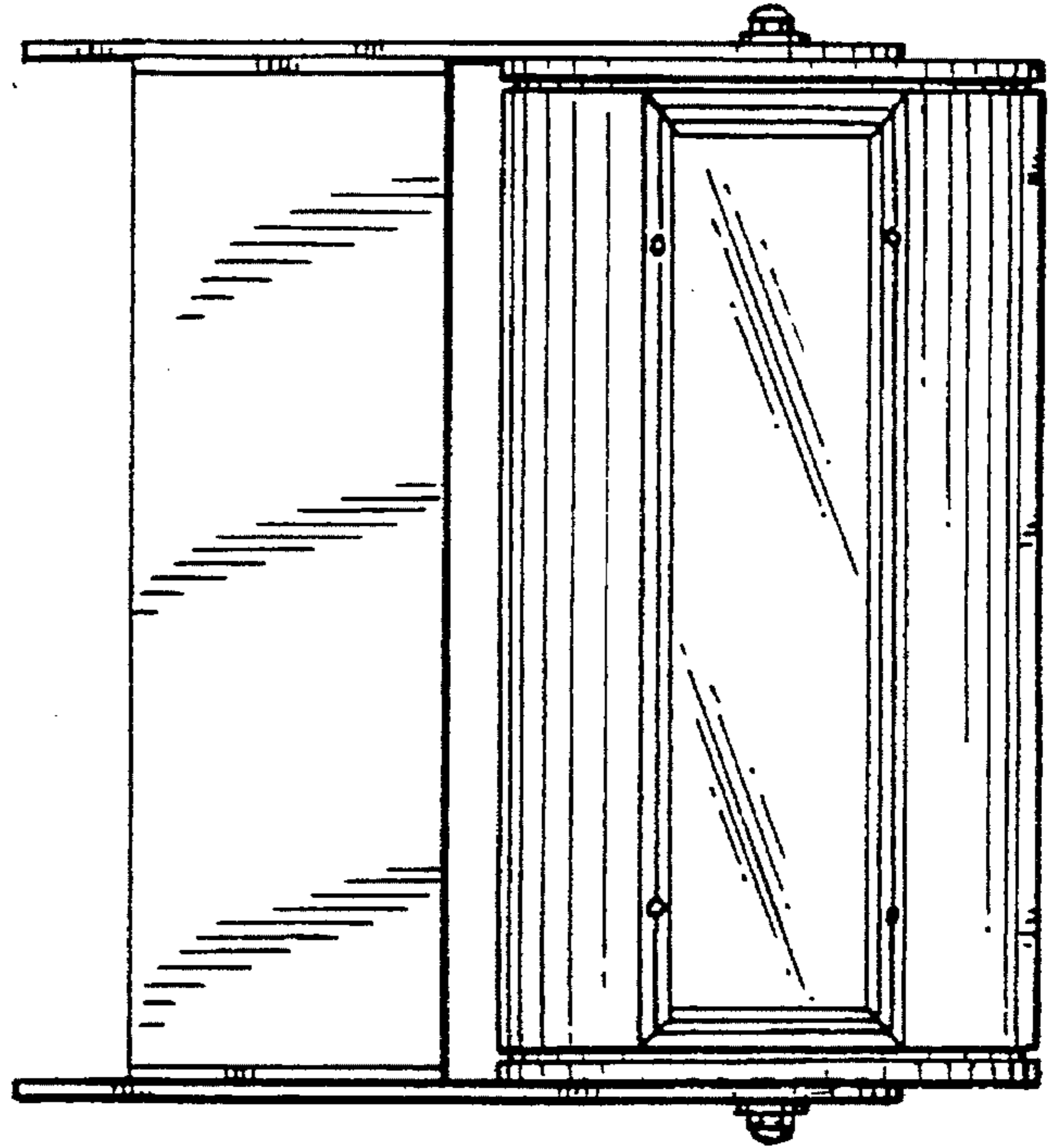


FIG. 5

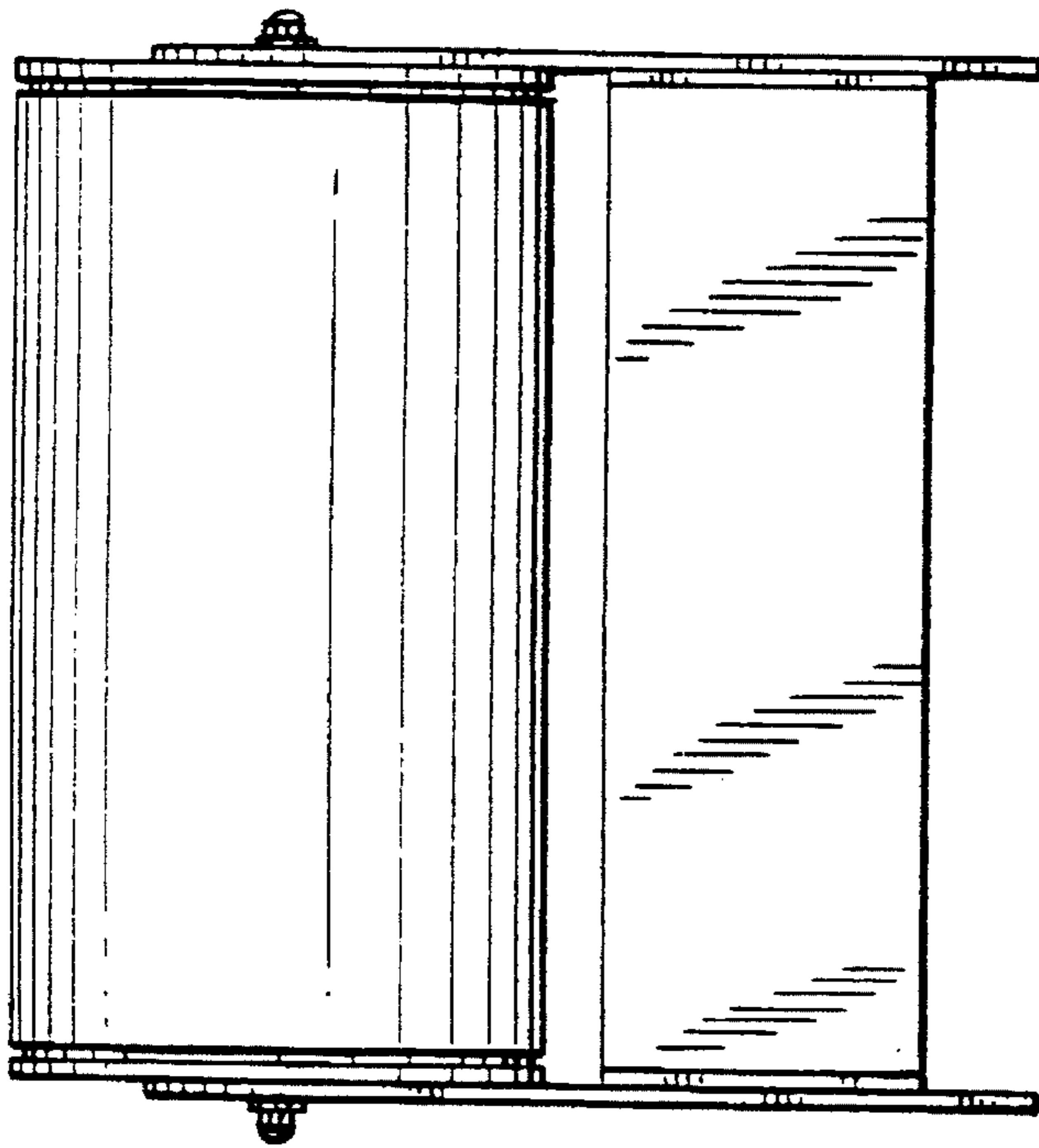


FIG. 6

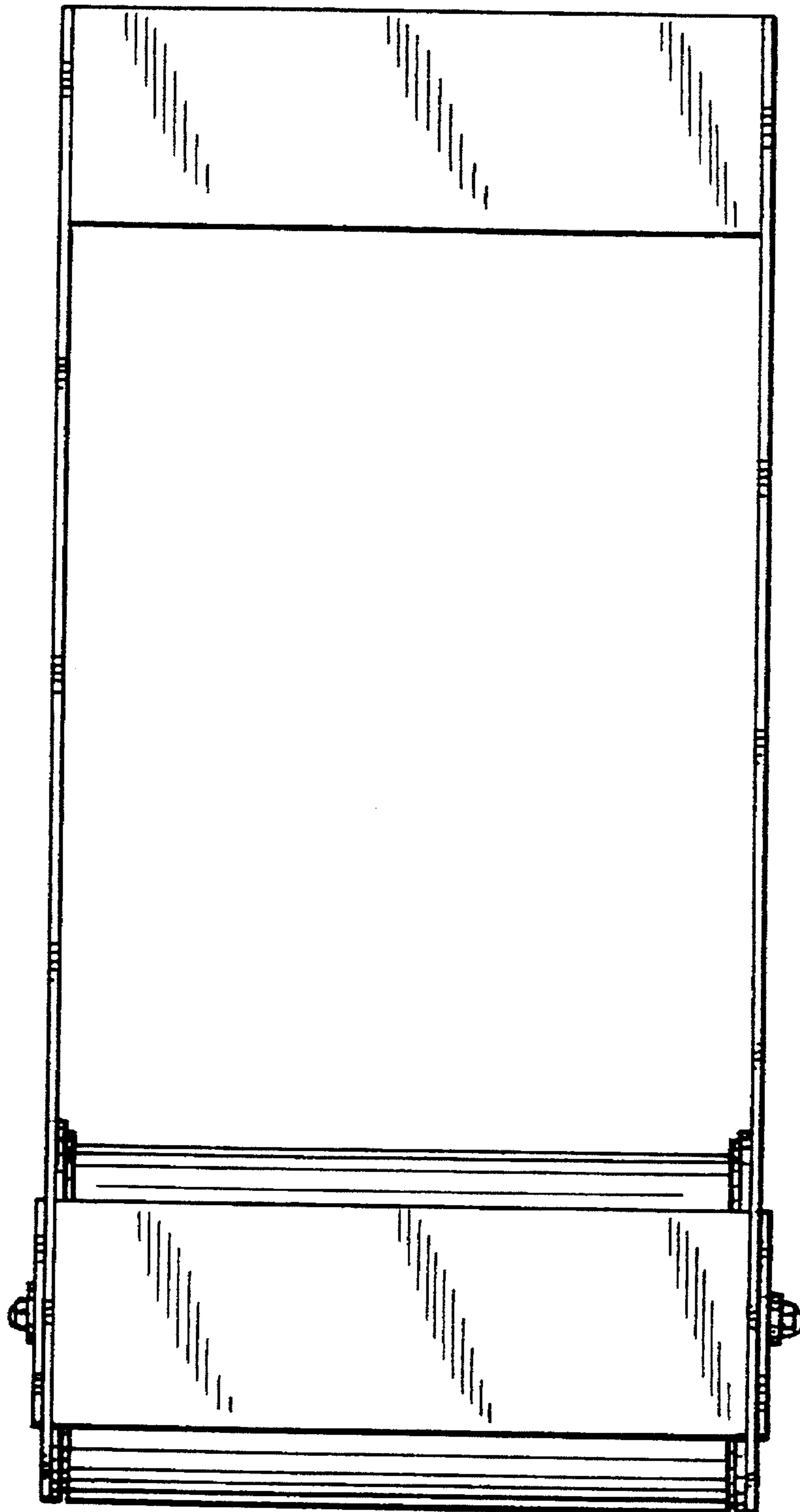
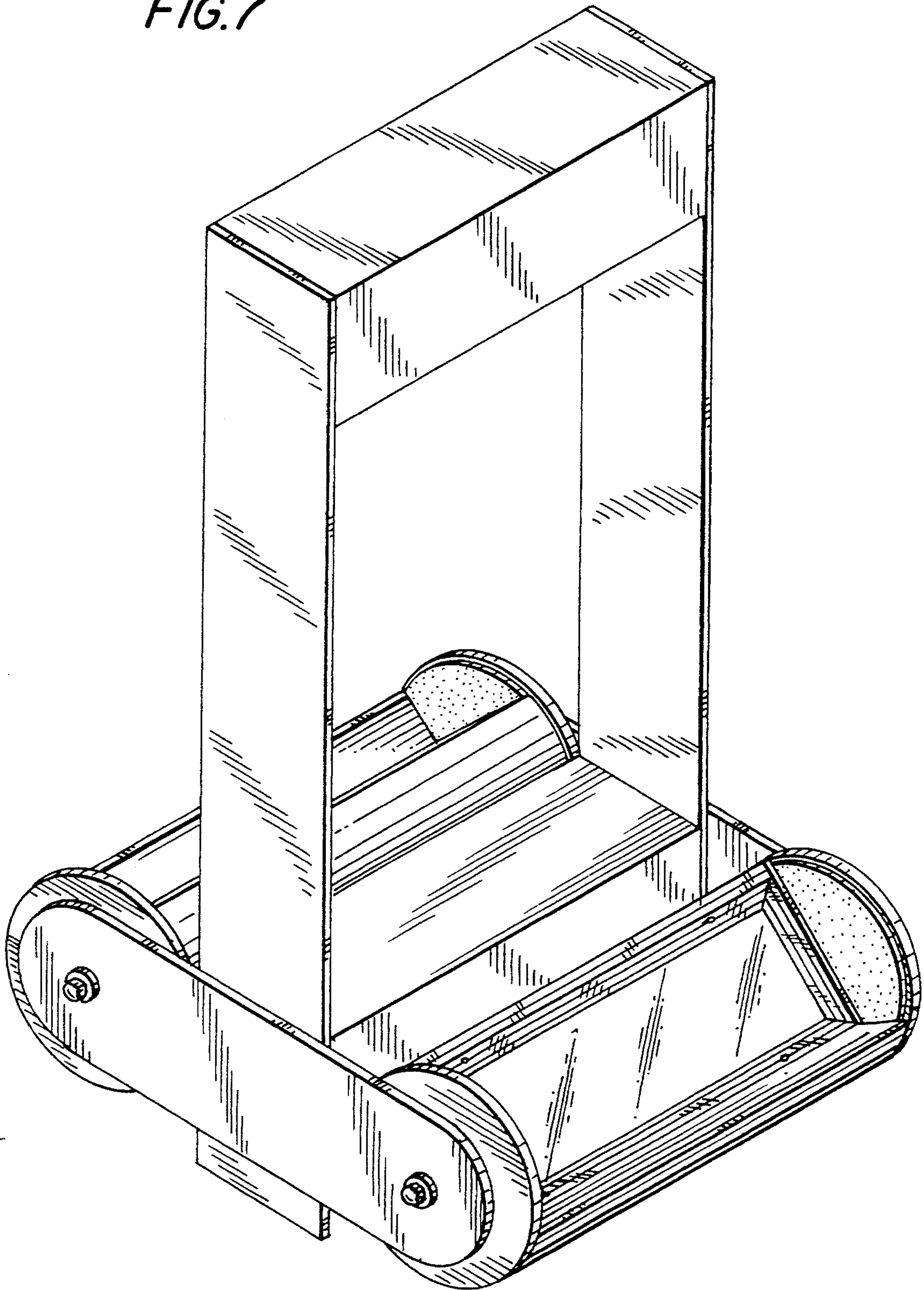


FIG. 7



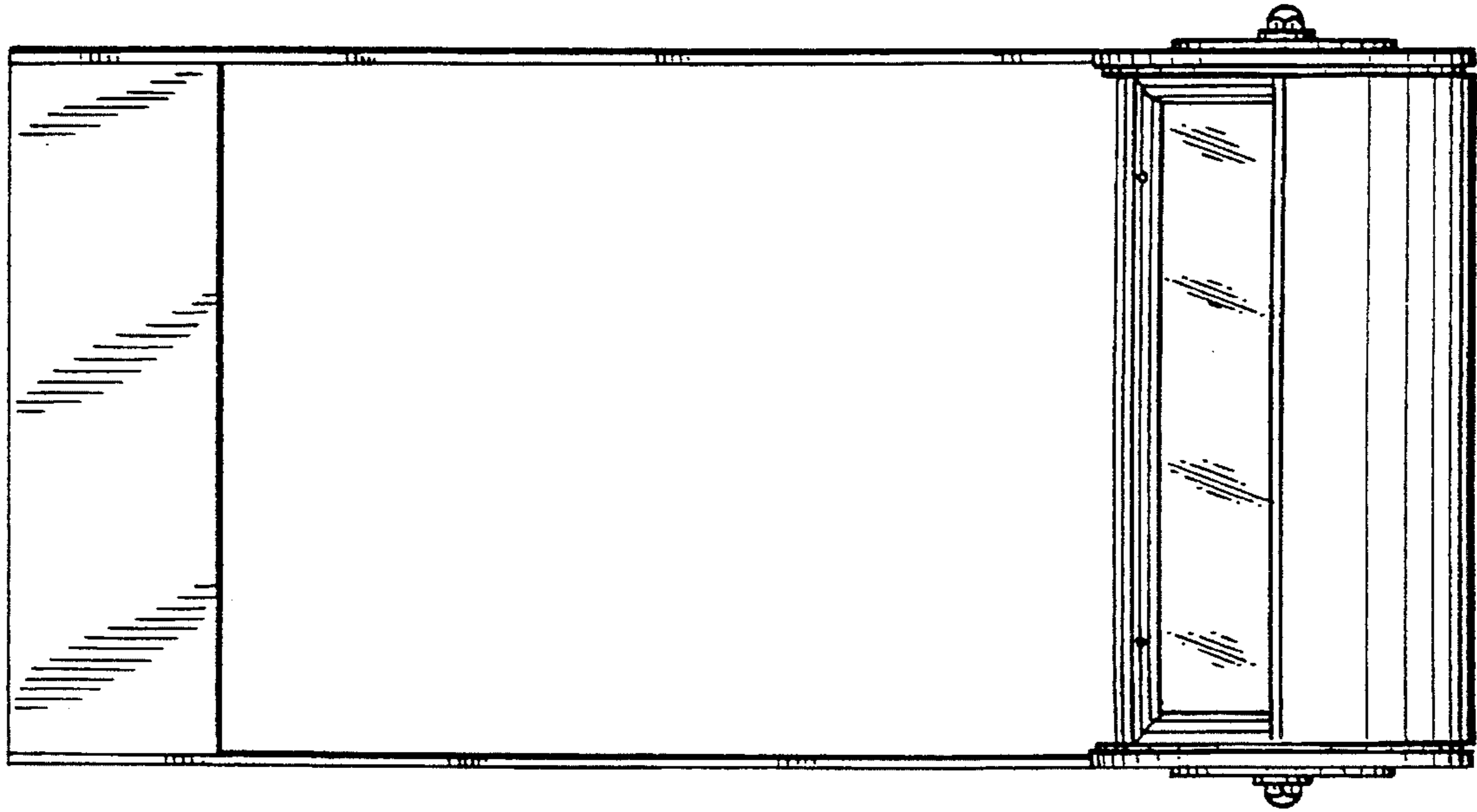


FIG. 9

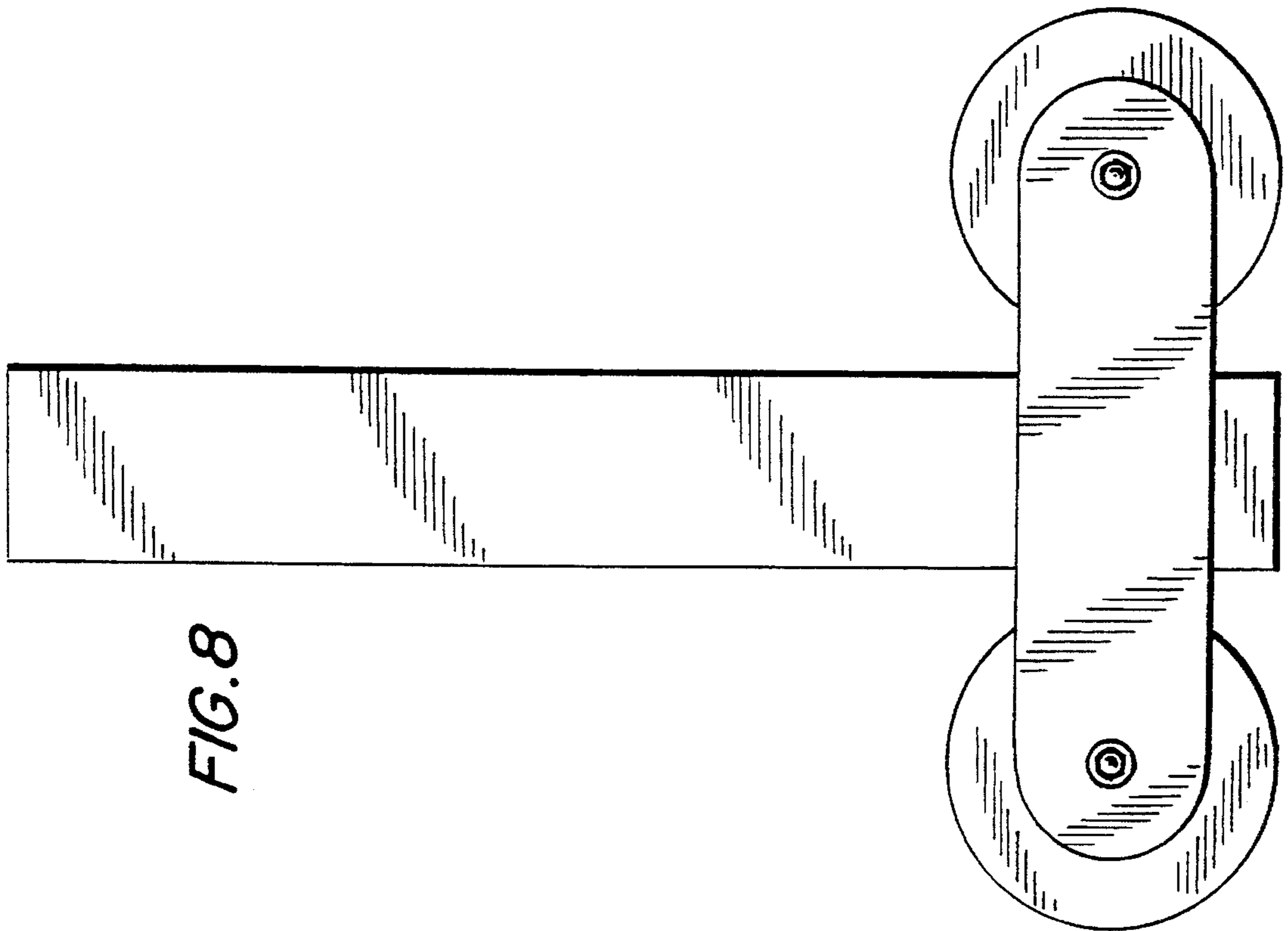


FIG. 8

FIG. 10

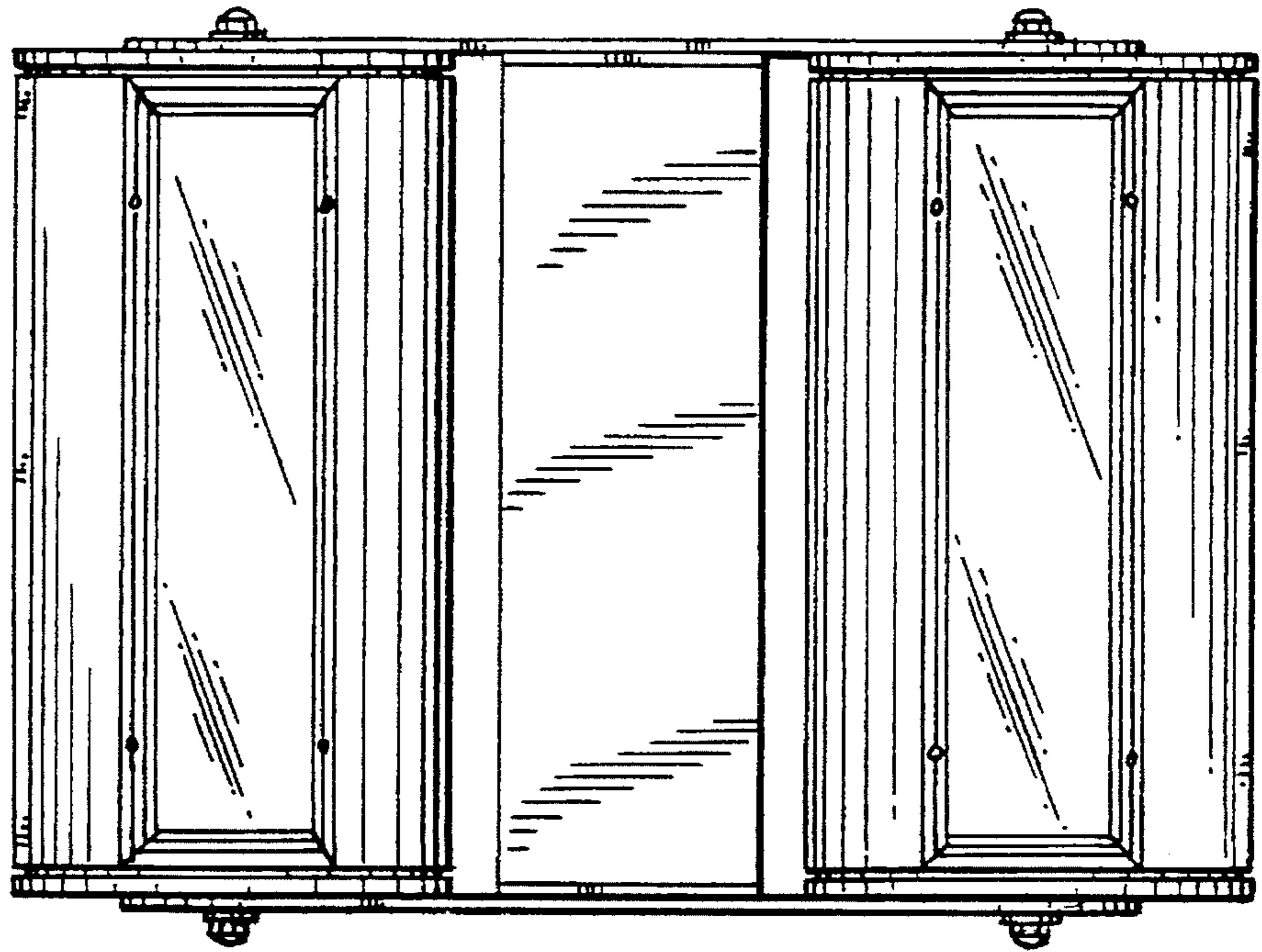


FIG. 11

