



US00D366532S

# United States Patent [19]

Herbst et al.

[11] Patent Number: **Des. 366,532**

[45] Date of Patent: **\*\*Jan. 23, 1996**

[54] LATTICE

5,069,009 12/1991 Suzuki ..... 52/660

[75] Inventors: **Walter B. Herbst**, Evanston; **James F. Caruso**, Chicago, both of Ill.

*Primary Examiner*—Doris Clark  
*Attorney, Agent, or Firm*—Taylor & Knuth

[73] Assignee: **Fort Wayne Plastics, Inc.**, Fort Wayne, Ind.

[57] **CLAIM**

The ornamental design for a lattice, as shown and described.

[\*\*] Term: **14 Years**

**DESCRIPTION**

[21] Appl. No.: **6,355**

[22] Filed: **Mar. 26, 1993**

[52] U.S. Cl. .... **D25/100**

[58] Field of Search ..... D5/1-3; D25/100-101, D25/53; 52/660, 667-668, 664, 666; 47/70

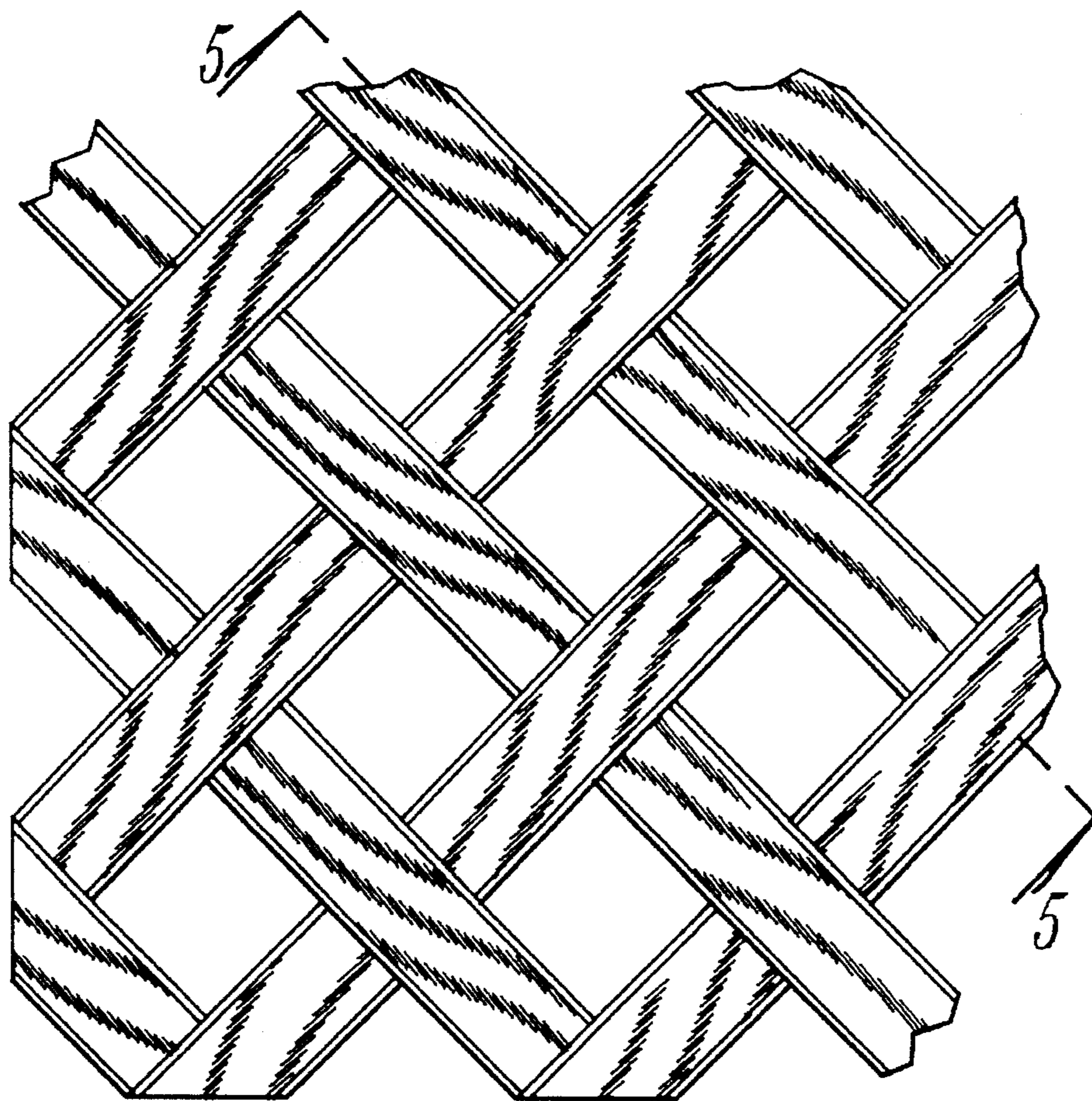
FIG. 1 is a perspective view of the design;  
FIG. 2 is a reduced top plan view thereof; the bottom plan view being symmetrical with the top plan view;  
FIG. 3 is an enlarged detail plan view;  
FIG. 4 is an enlarged side view taken from the lefthand side of FIG. 3, the front, rear, and opposite side view being identical;  
FIG. 5 is a sectional view taken along line 5—5 of FIG. 3; and,  
FIG. 6 is an enlarged perspective detail view.

[56] **References Cited**

**U.S. PATENT DOCUMENTS**

2,672,658 3/1954 Pedersen ..... D25/100  
5,018,332 5/1991 Ying-Kit ..... 52/666

**1 Claim, 3 Drawing Sheets**



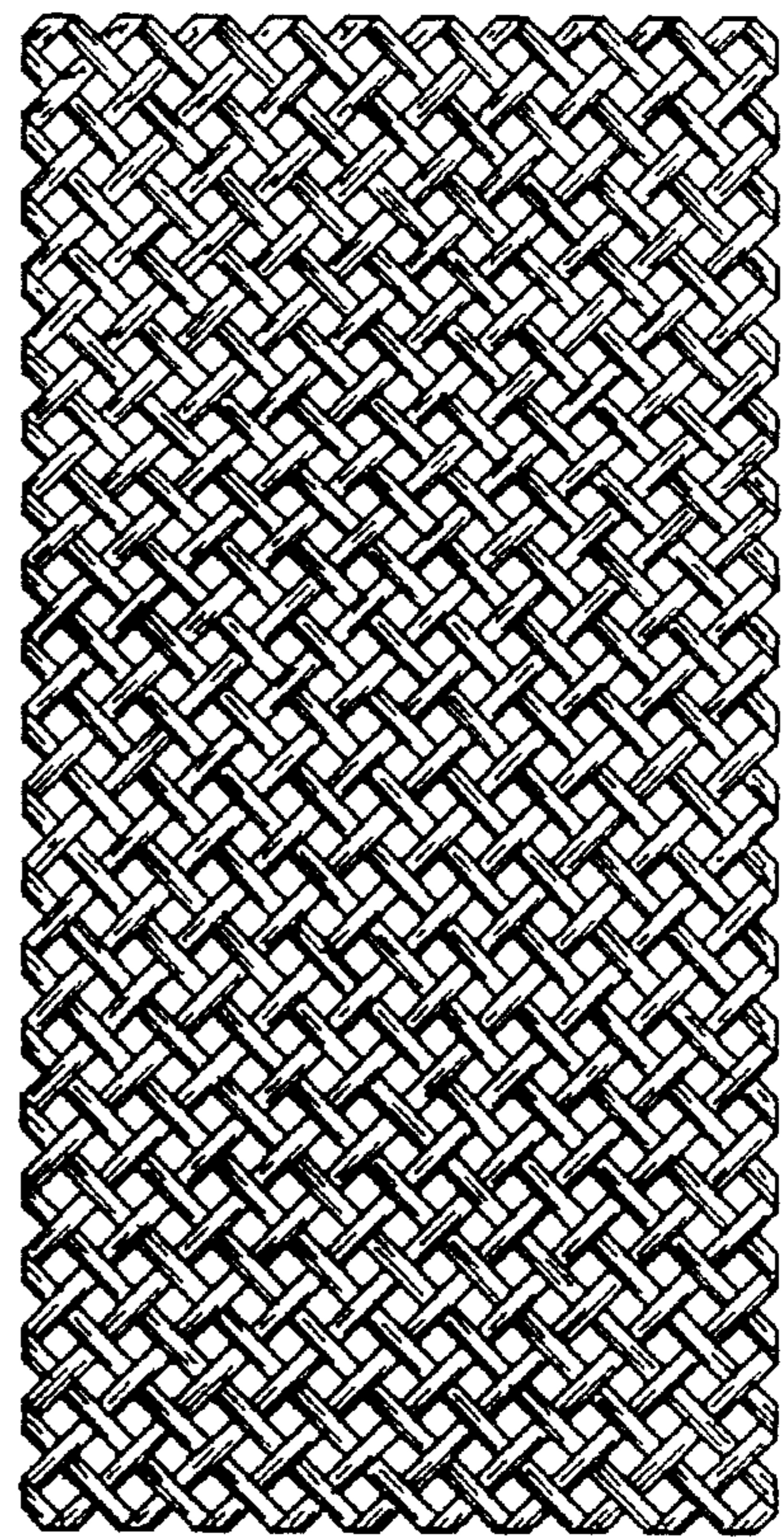
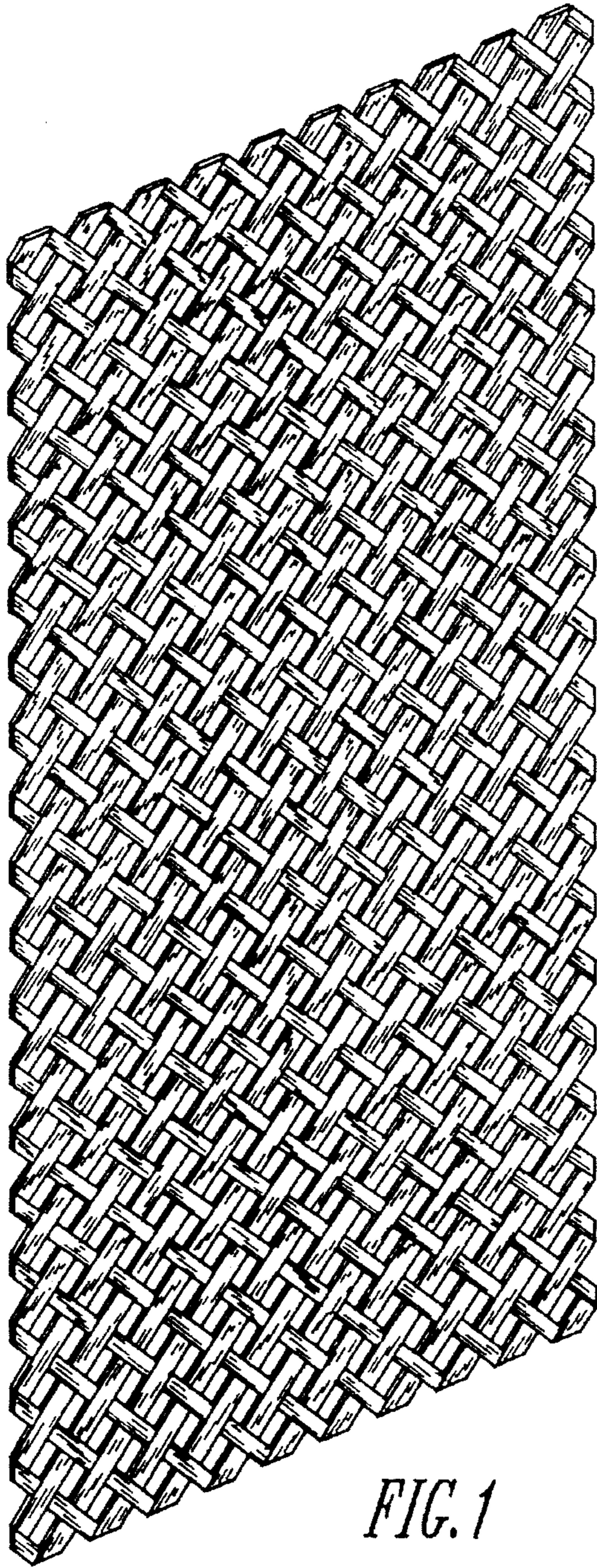


FIG. 2

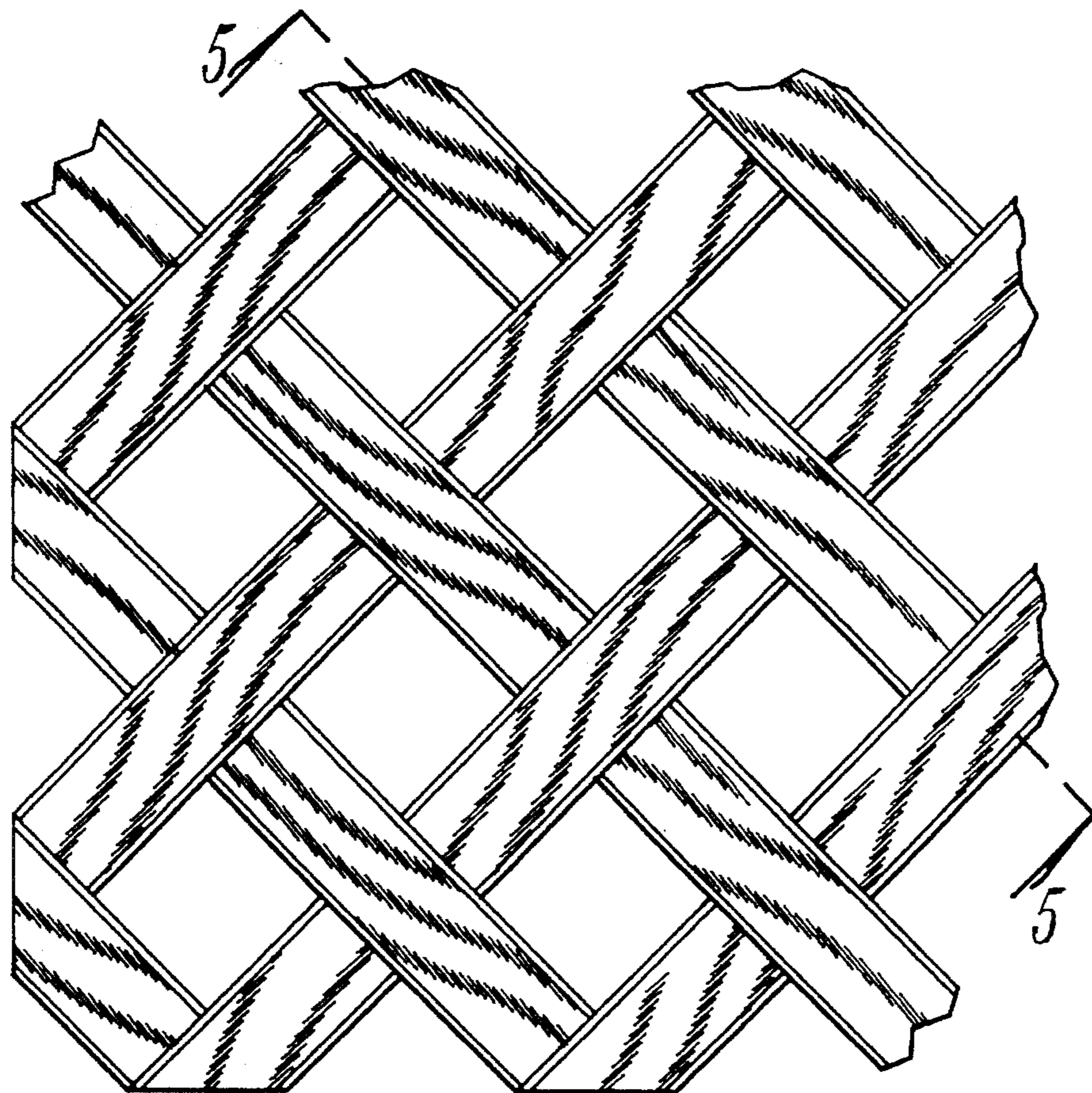


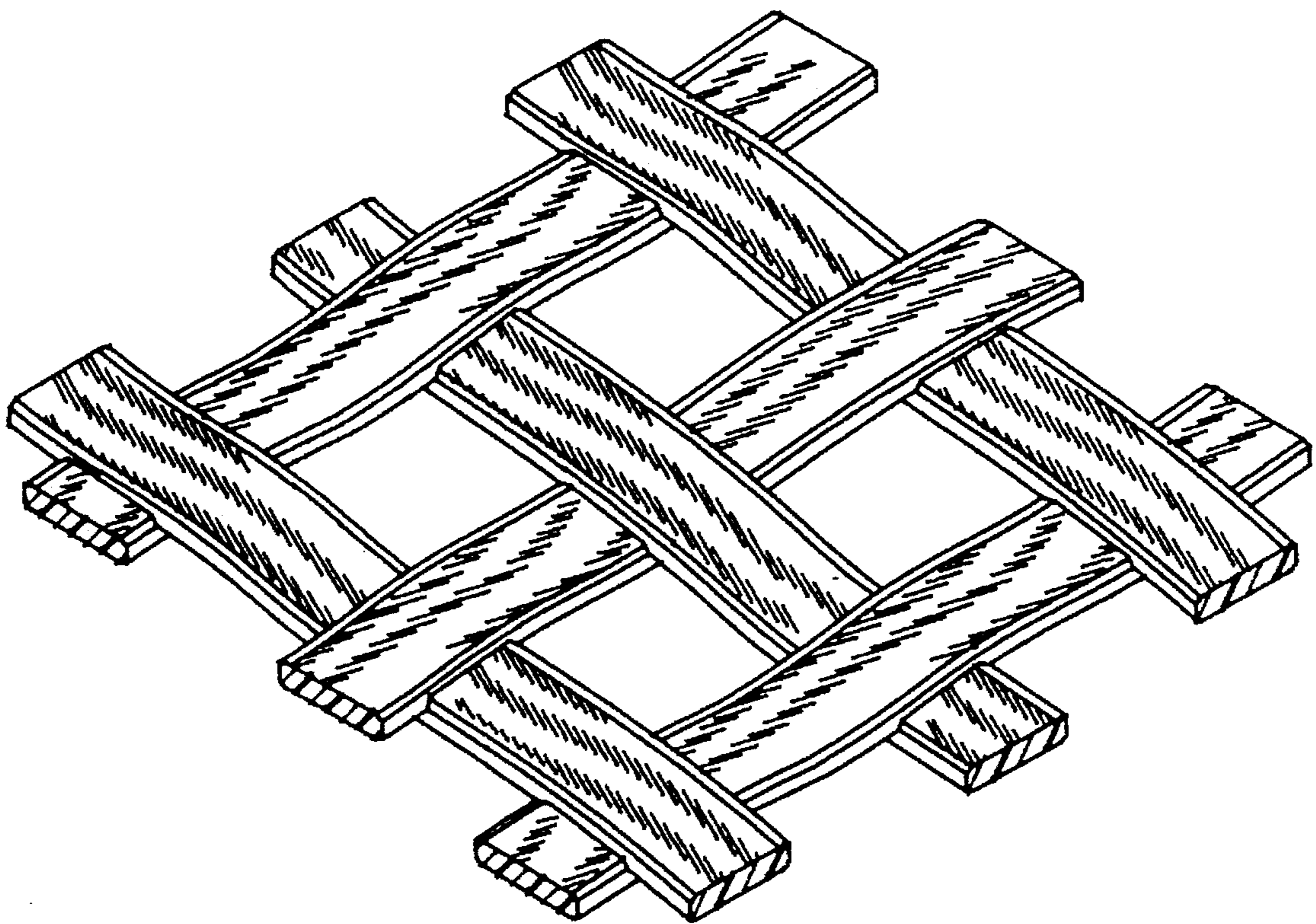
FIG. 3



FIG. 4



FIG. 5



*FIG. 6*