



US00D366531S

United States Patent [19] Wedge

[11] Patent Number: **Des. 366,531**

[45] Date of Patent: ****Jan. 23, 1996**

[54] **FOLDABLE SCAFFOLD**

[76] Inventor: **Donald Wedge**, Rte. 1, Box 558C,
Myakka City, Fla. 34251

[**] Term: **14 Years**

[21] Appl. No.: **18,459**

[22] Filed: **Feb. 7, 1994**

[52] U.S. Cl. **D25/66**

[58] Field of Search D25/62, 66; 182/82,
182/110, 130, 132, 178, 152, 182, 188

[56] **References Cited**

U.S. PATENT DOCUMENTS

2,882,099	4/1959	Symons	D25/66
2,994,402	8/1961	Tyler	182/152
5,099,953	3/1992	Stegath	182/152

Primary Examiner—Doris Clark
Attorney, Agent, or Firm—Franklin J. Cona

[57] **CLAIM**

The ornamental design for a foldable scaffold, as shown and described.

DESCRIPTION

FIG. 1 is a perspective view of the design in the unfolded status having a wooden plank in phantom which does not form a part of the claimed design;

FIG. 2 is a top plan view of the design as shown in FIG. 1; FIG. 3 is a bottom plan view of the design as shown in FIG. 1;

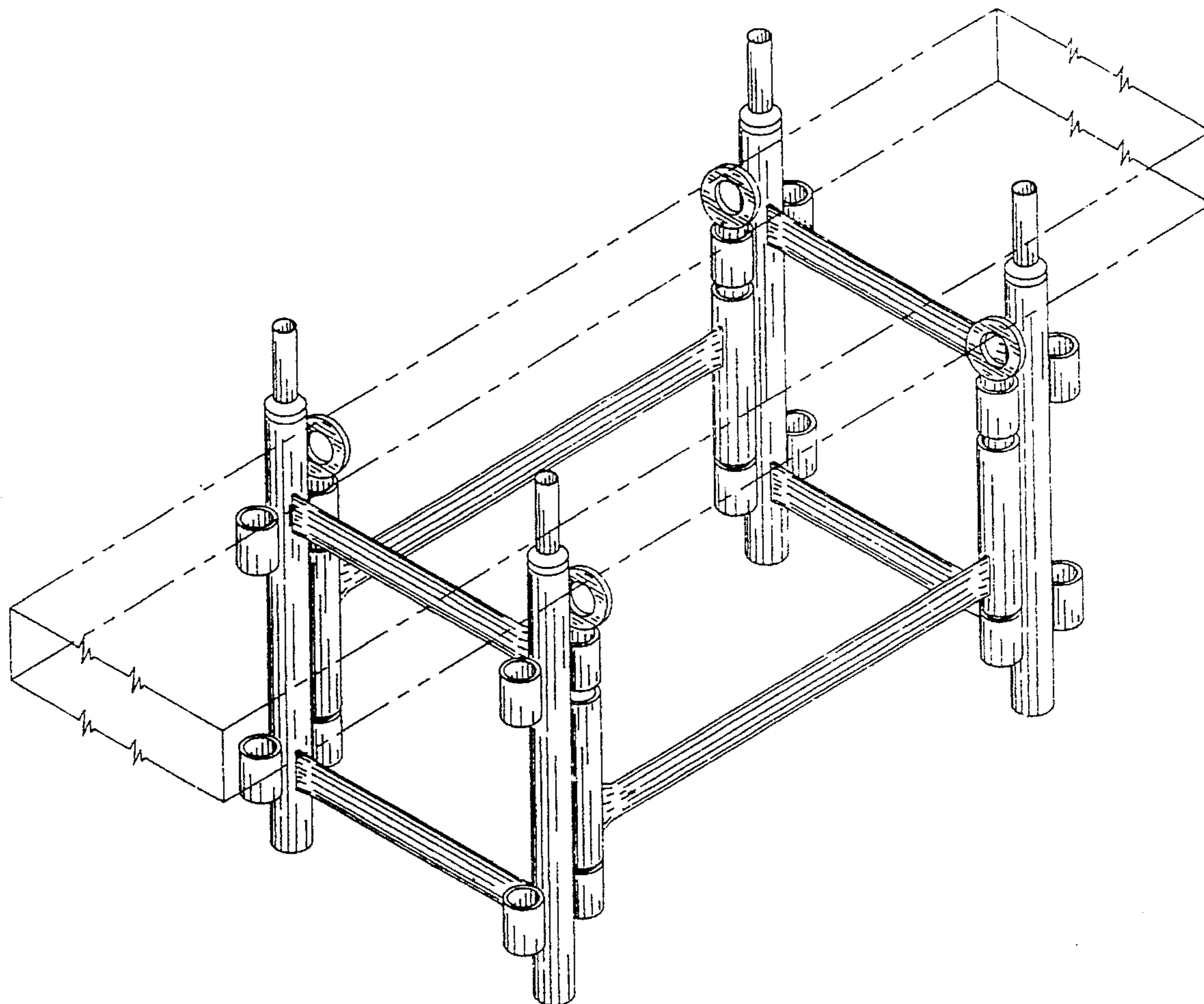
FIG. 4 is a front elevational view of the design as shown in FIG. 1;

FIG. 5 is a side elevational view of the design as shown in FIG. 1;

FIG. 6 is a rear elevational view of the design as shown in FIG. 1; and,

FIG. 7 is a top plan view of the design in the folded status.

1 Claim, 3 Drawing Sheets



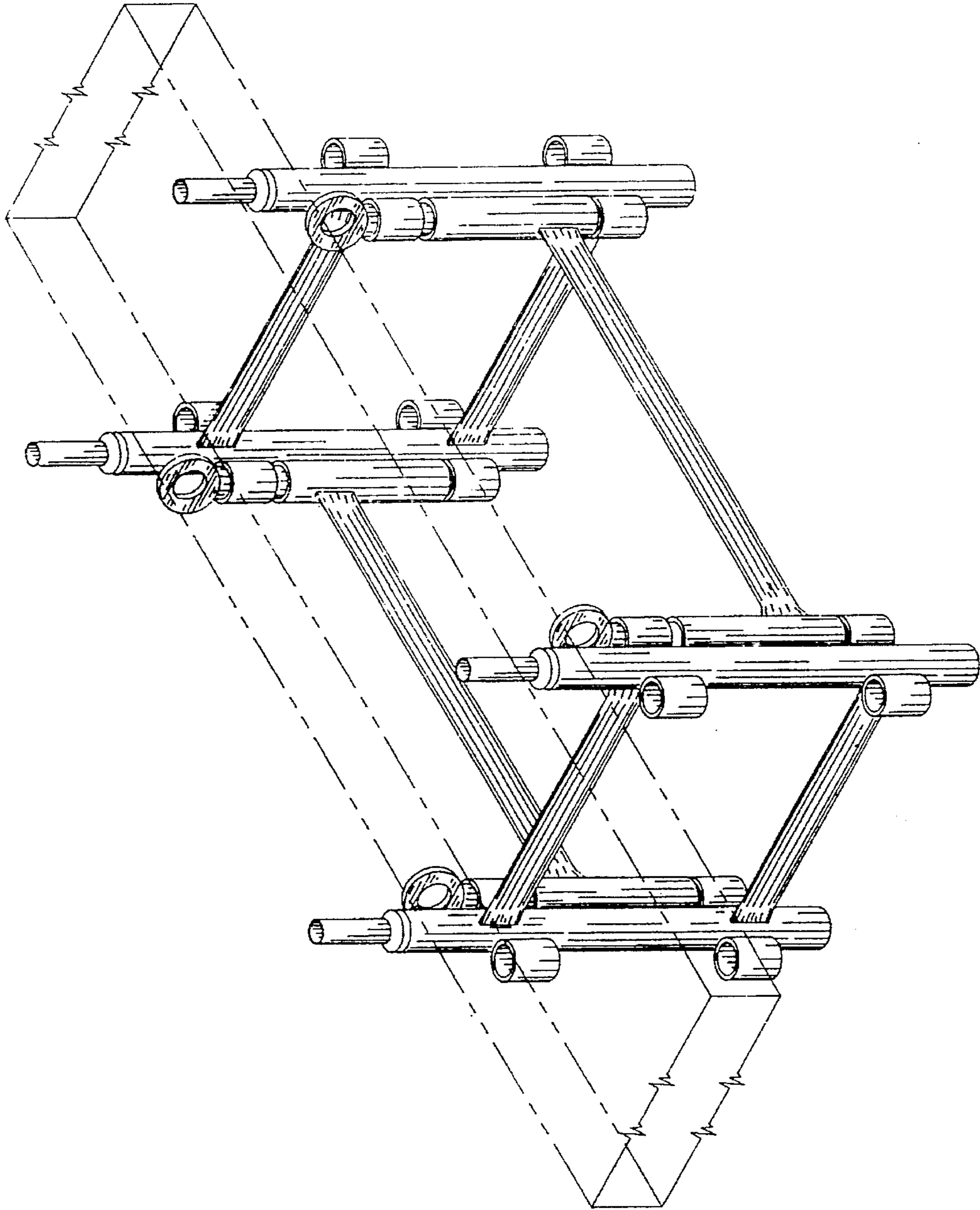


FIGURE 1

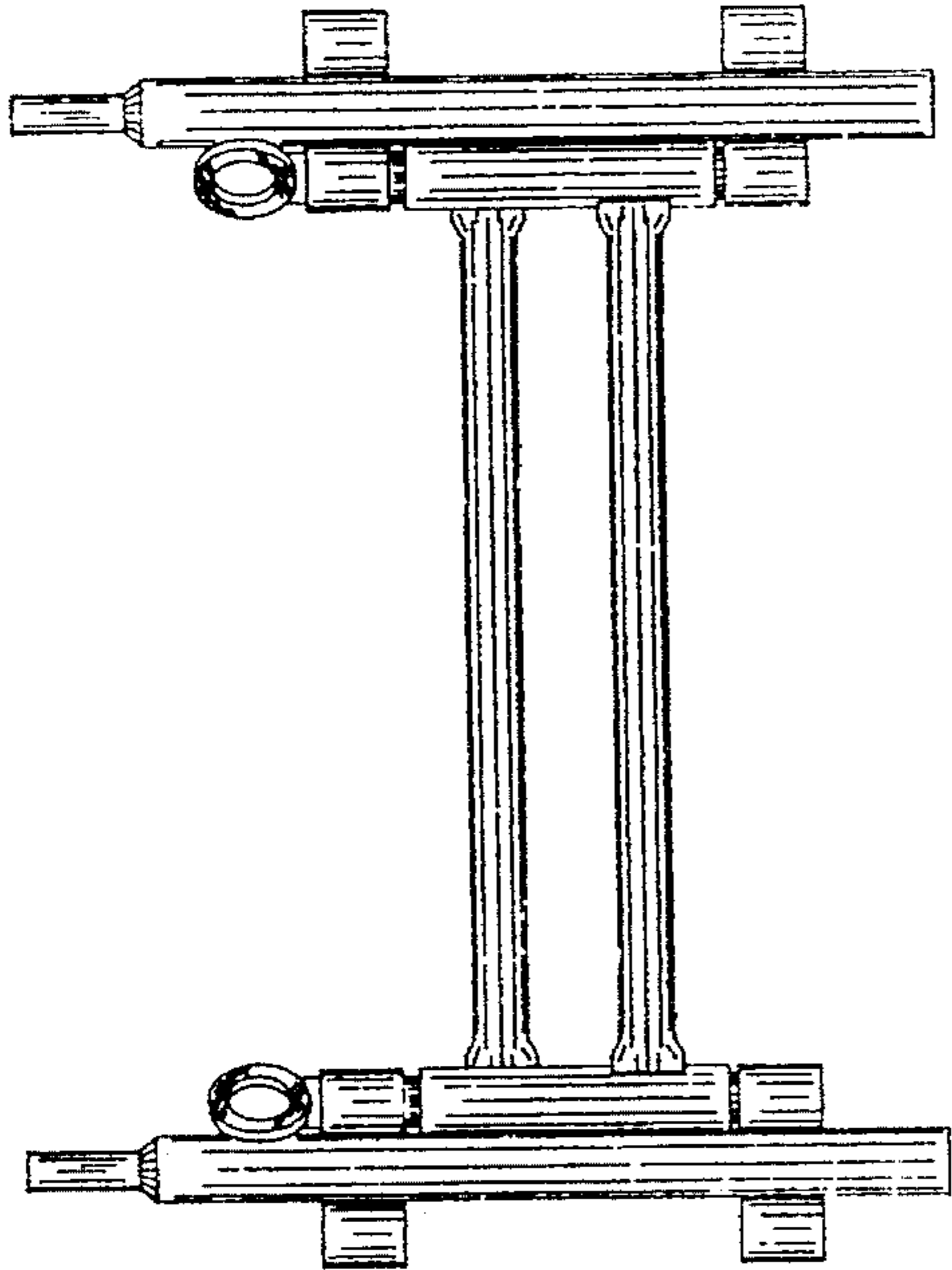


FIGURE 4

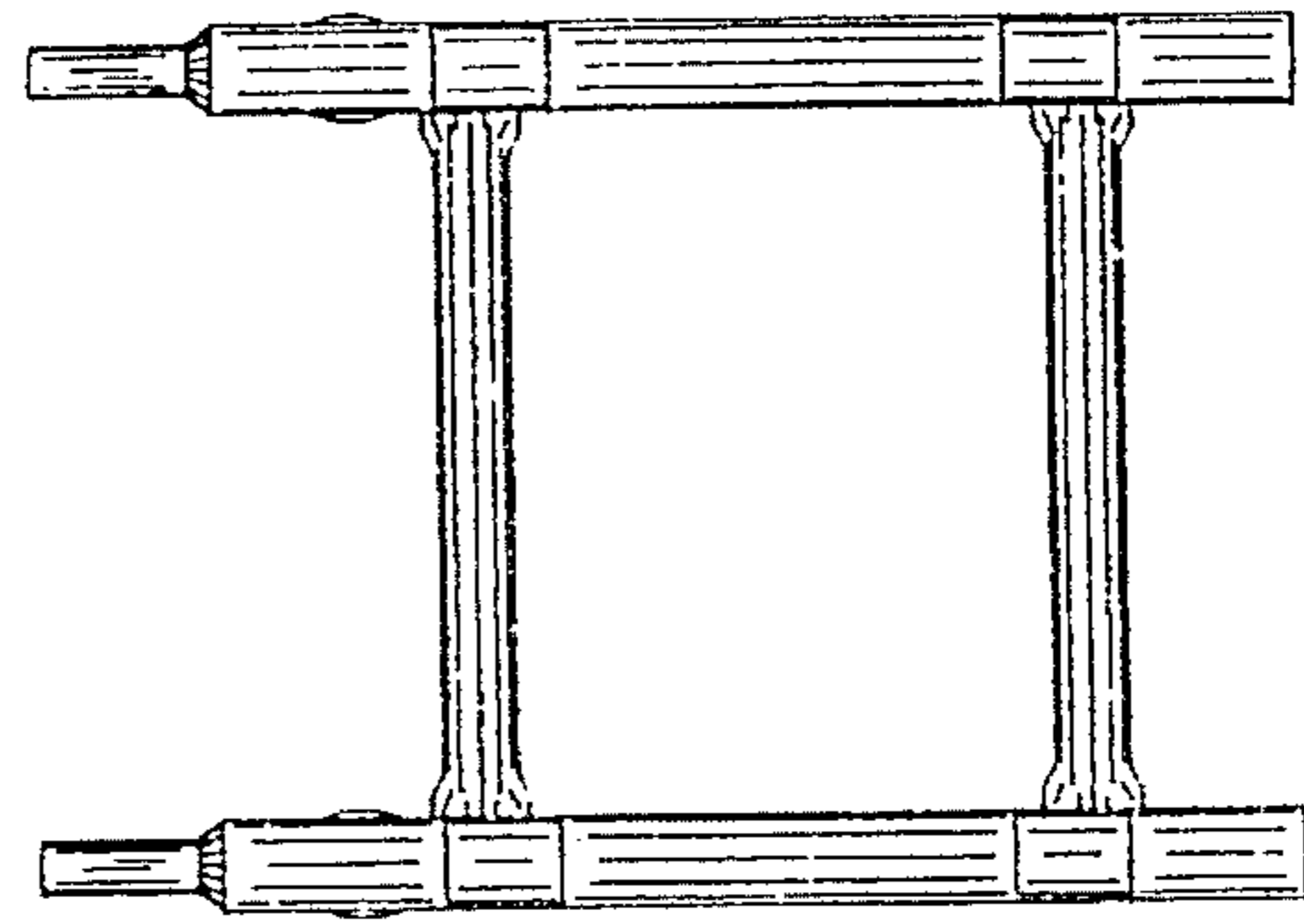


FIGURE 5

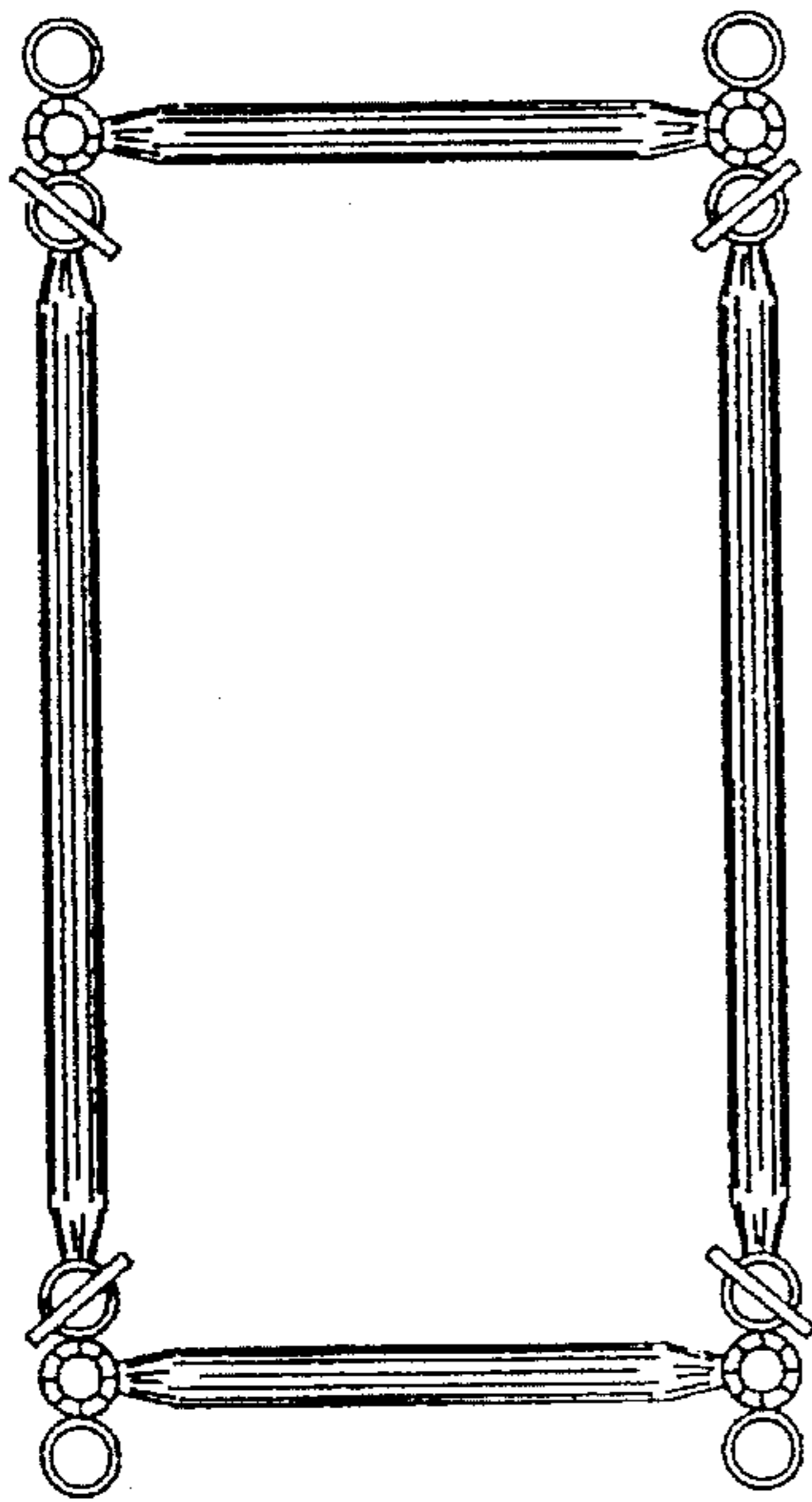


FIGURE 2

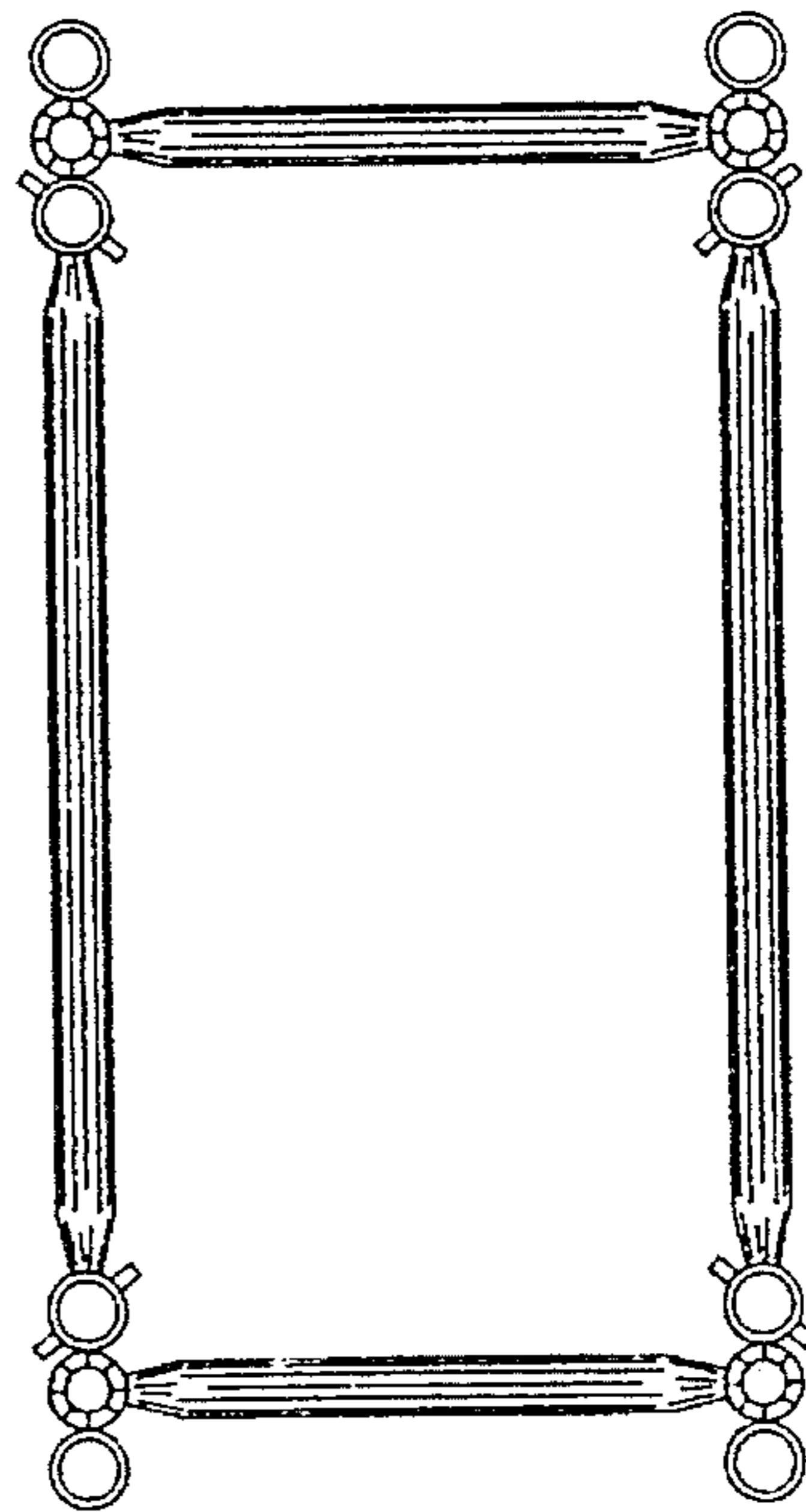


FIGURE 3

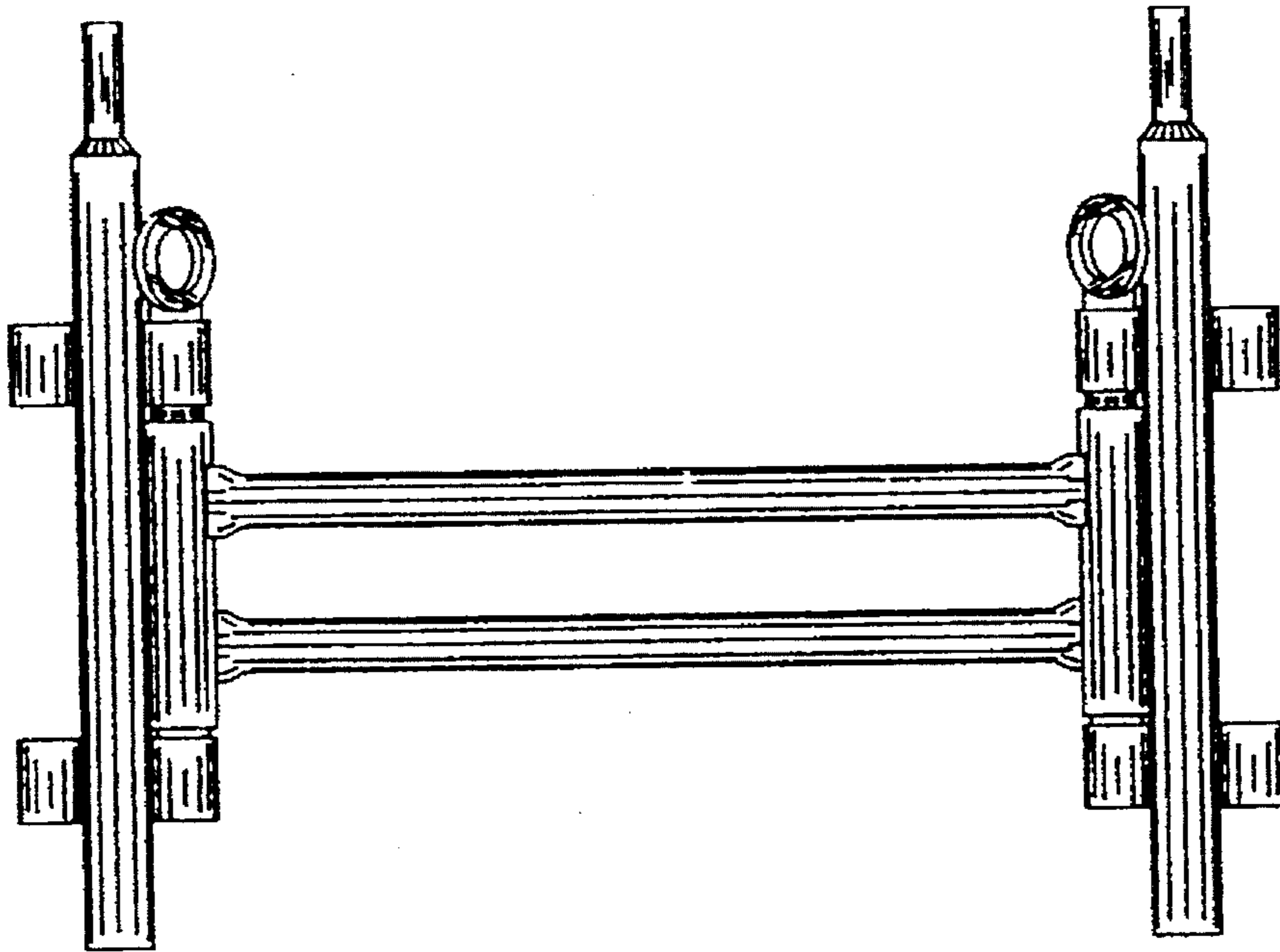


FIGURE 6

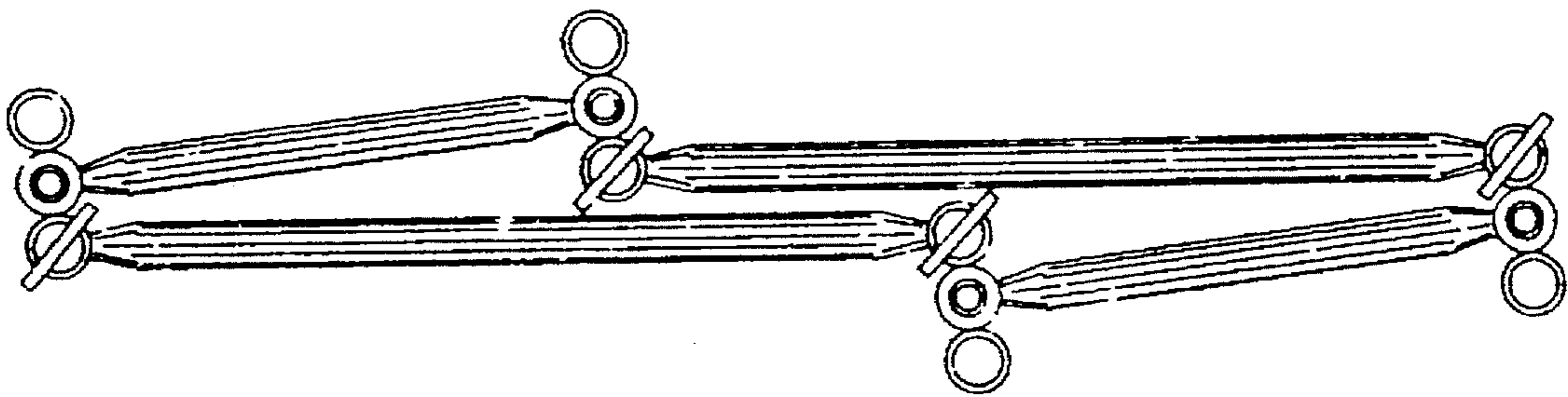


FIGURE 7