



US00D366530S

United States Patent [19]

[11] Patent Number: **Des. 366,530**

Spitz et al.

[45] Date of Patent: ****Jan. 23, 1996**

[54] **COMBINED PORTABLE AND RETRACTABLE TUNNEL**

[76] Inventors: **John Spitz**, 6335 Cronin, Dearborn Heights, Mich. 48127; **James Maceroni**, 984 McDonald, Northville, Mich. 48167

[**] Term: **14 Years**

[21] Appl. No.: **30,168**

[22] Filed: **Oct. 21, 1994**

[52] U.S. Cl. **D25/18**

[58] Field of Search D25/1, 18; 135/87, 135/124-126; 405/132, 133; 14/71.5

[56] **References Cited**

U.S. PATENT DOCUMENTS

D. 304,240	10/1989	Wright	D21/253
3,198,200	8/1965	Sanders	135/906
3,750,353	8/1973	Smith, Jr.	52/80.1
4,229,914	10/1980	Lucas	135/124

4,712,339	12/1987	Wenham et al.	52/173
4,715,077	12/1987	Shepherd	14/71.5
4,815,736	3/1989	Wright	D25/18
4,817,223	4/1989	Koch	14/71.1

Primary Examiner—Doris Clark
Attorney, Agent, or Firm—James A. Hudak

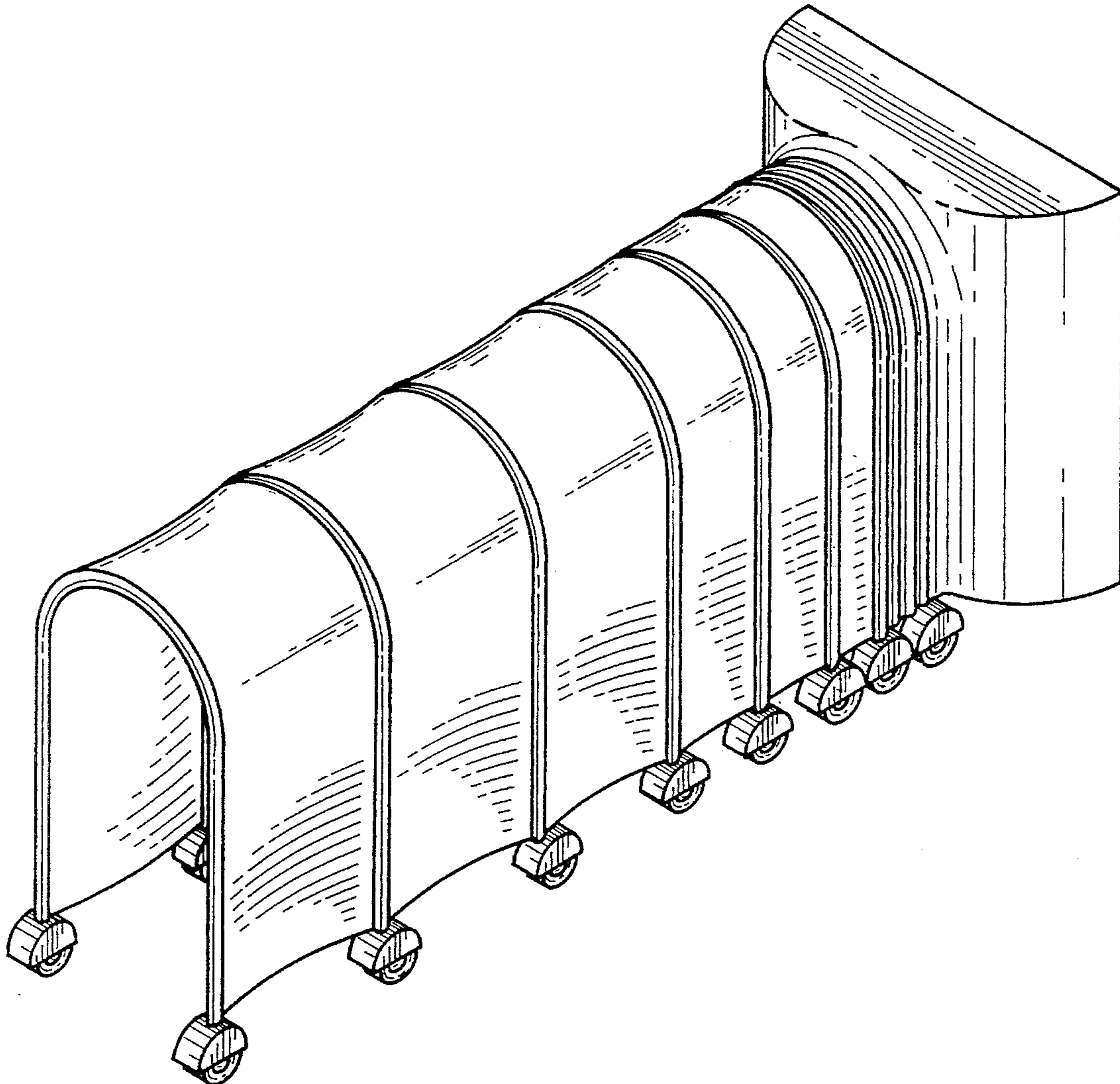
[57] **CLAIM**

The ornamental design for a combined portable and retractable tunnel, as shown and described.

DESCRIPTION

FIG. 1 is a perspective view of the combined portable and retractable tunnel showing our new design; FIG. 2 is a left side elevational view thereof; FIG. 3 is a right side elevational view thereof; FIG. 4 is a front elevational view thereof, the rear elevational view being a mirror image of the view shown in this Figure; FIG. 5 is a top plan view thereof; and, FIG. 6 is a bottom plan view thereof.

1 Claim, 4 Drawing Sheets



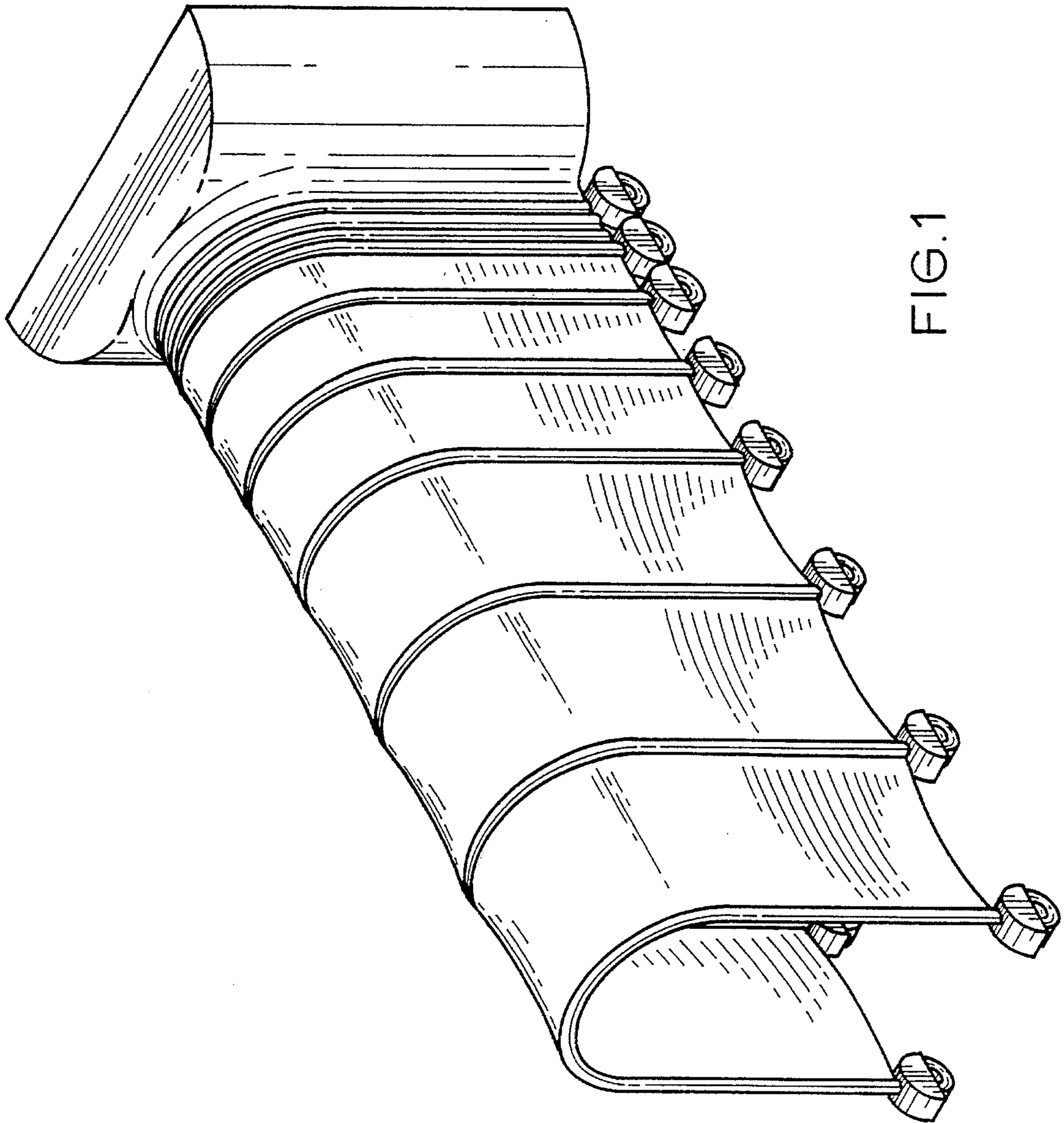


FIG. 1

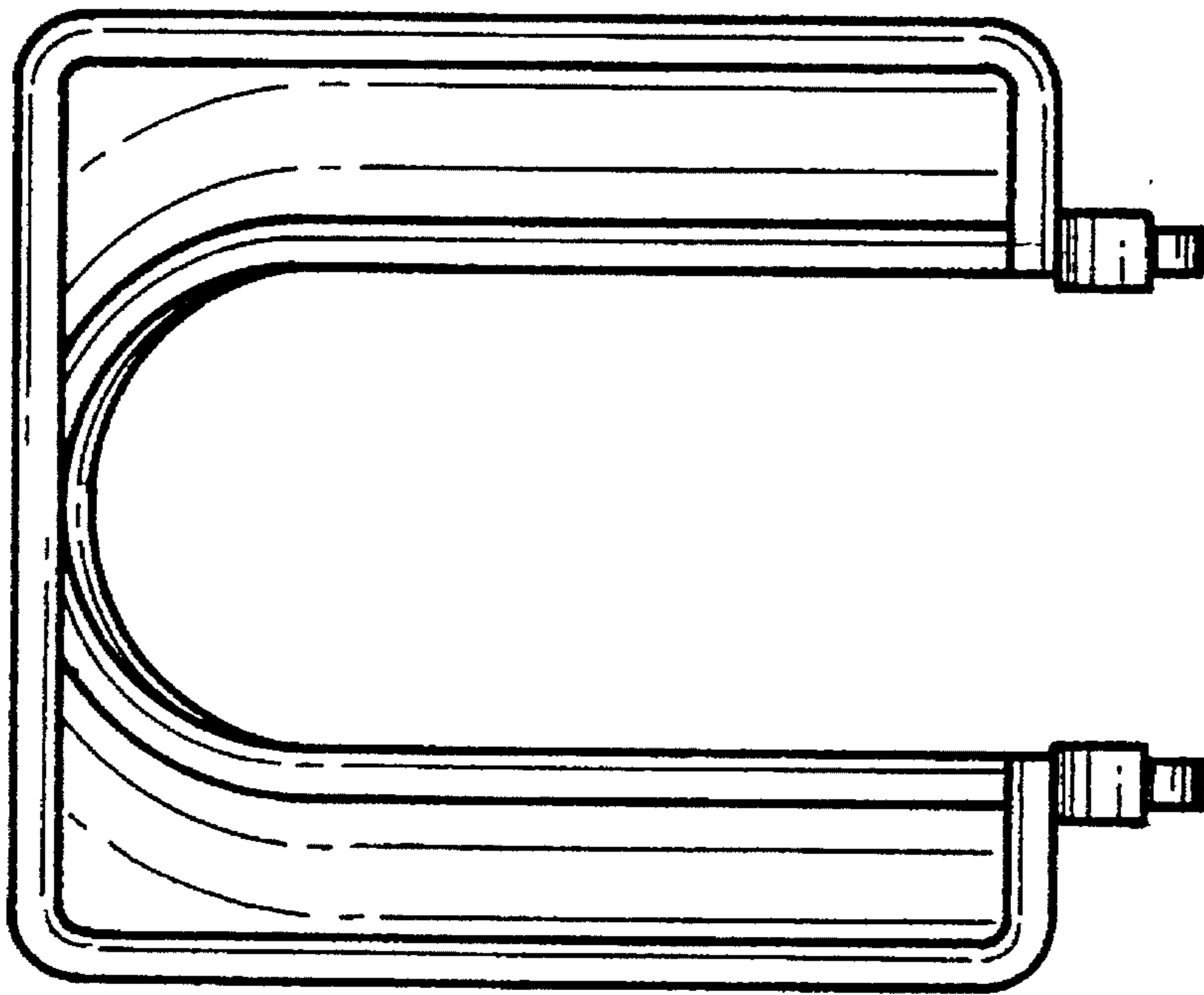


FIG. 2

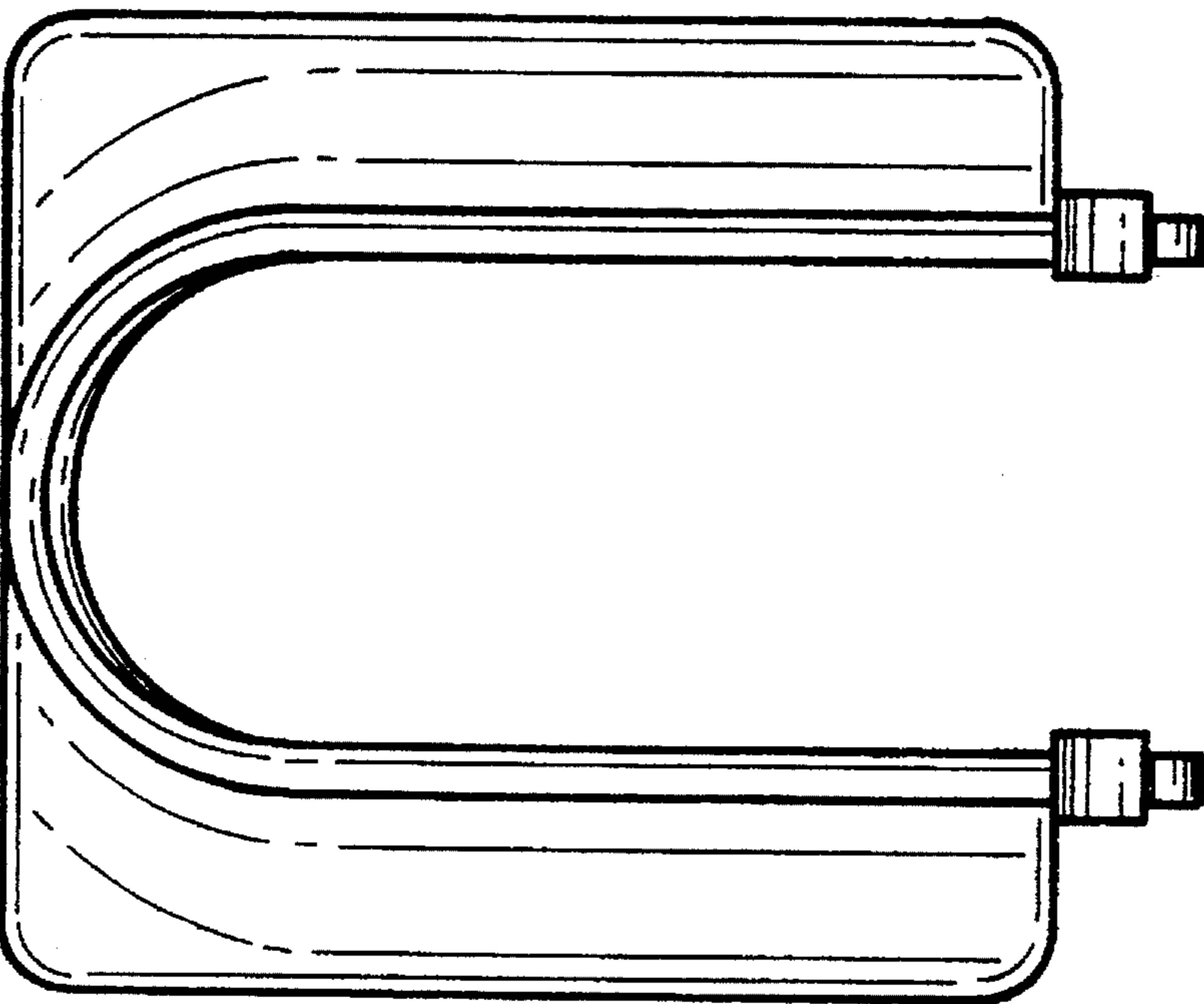


FIG. 3

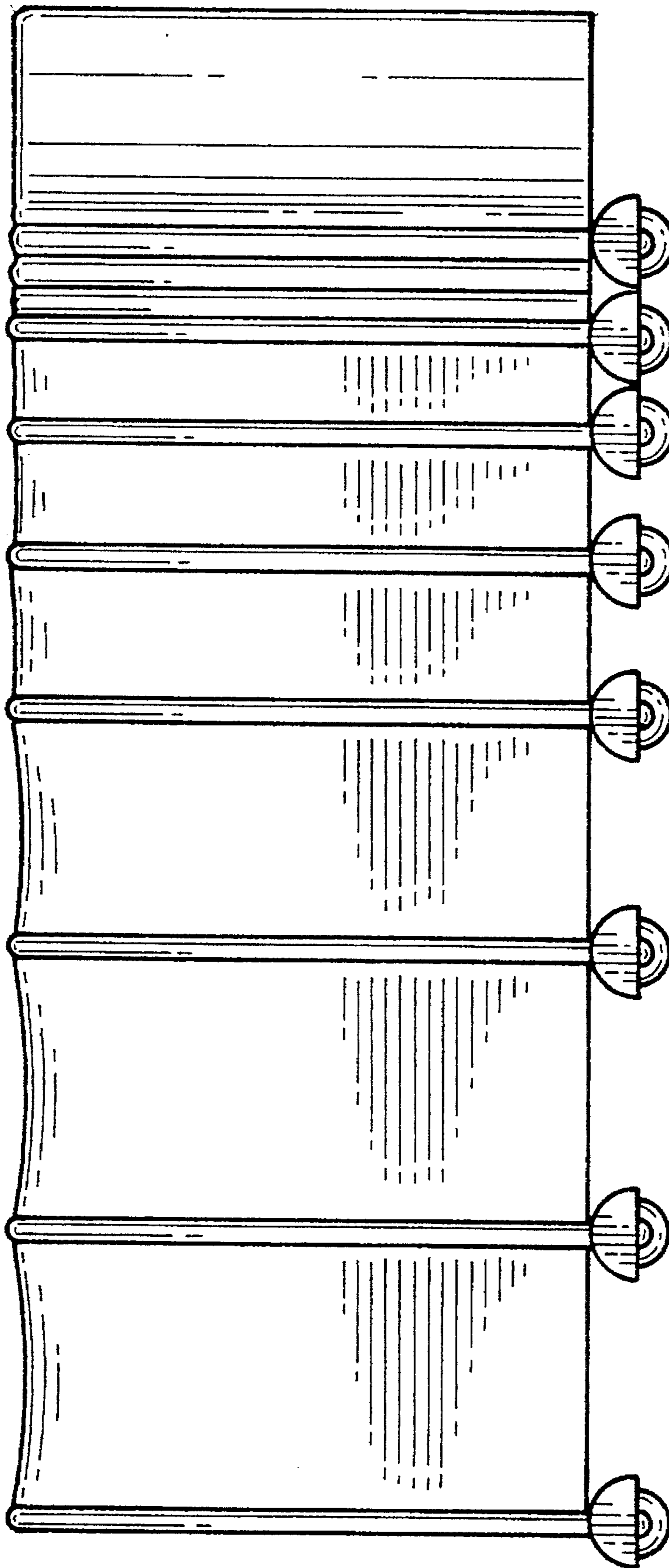


FIG. 4

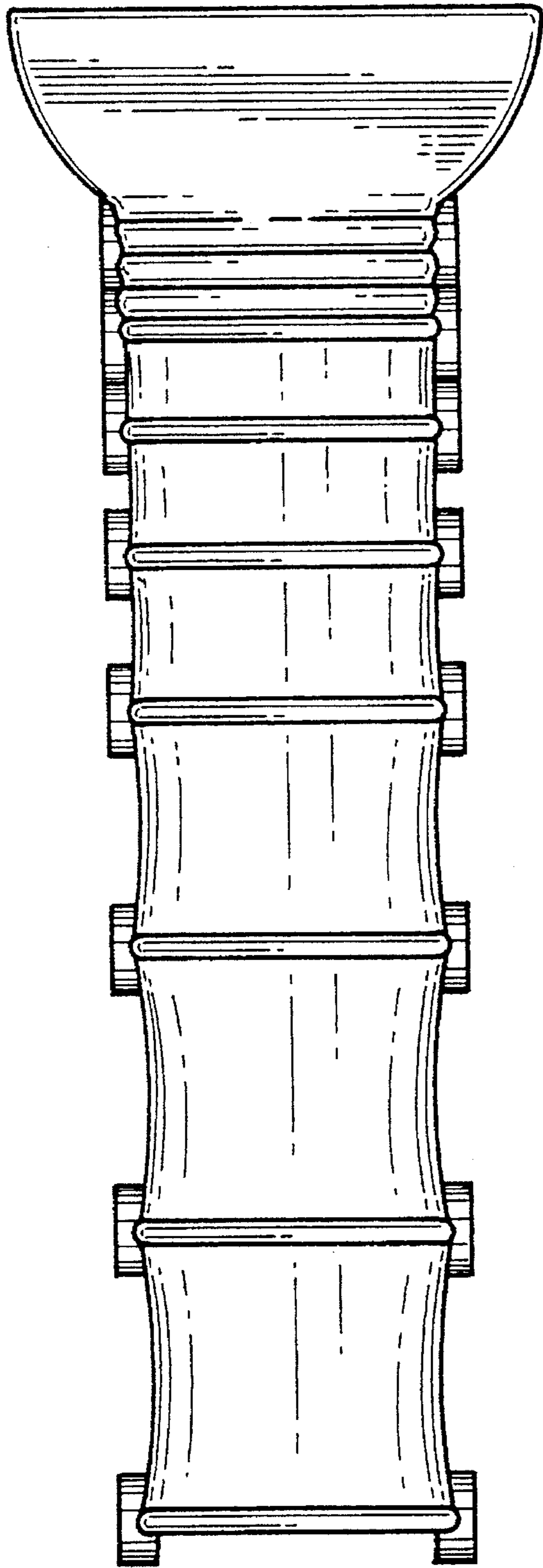


FIG. 5

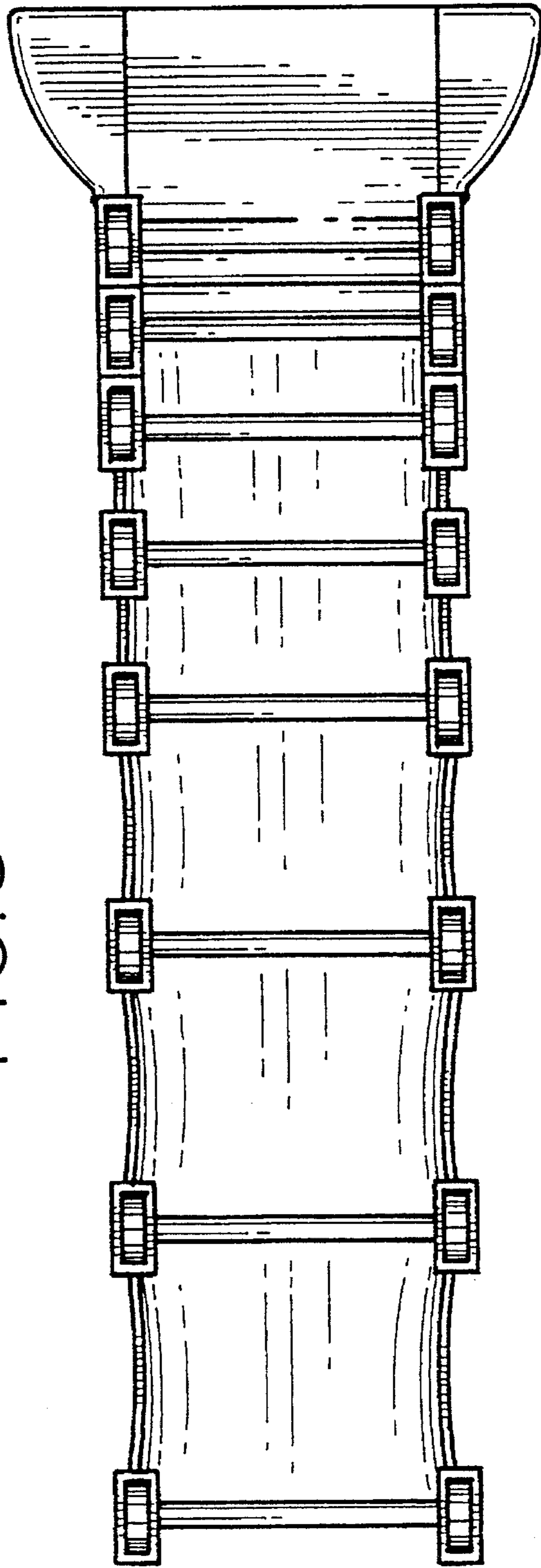


FIG. 6