



US00D366529S

**United States Patent** [19]

[11] **Patent Number: Des. 366,529**

**Babaoglu et al.**

[45] **Date of Patent: \*\*Jan. 23, 1996**

[54] **IMMUNOASSAY KIT FOR ANALYSIS OF BIOLOGICAL LIQUIDS**

[75] Inventors: **Kerinchan P. J. Babaoglu; Norbert S. Norkus**, both of Webster; **Randall S. Johnson**, Fairport, all of N.Y.

[73] Assignee: **Johnson & Johnson Clinical Diagnostics, Inc.**, Rochester, N.Y.

[\*\*] Term: **14 Years**

[21] Appl. No.: **823,224**

[22] Filed: **Jan. 21, 1992**

**Related U.S. Application Data**

[63] Continuation-in-part of Ser. No. 681,588, Apr. 8, 1991, abandoned, which is a continuation-in-part of Ser. No. 604,285, Oct. 29, 1990, abandoned.

[52] U.S. Cl. .... **D24/223; D24/229; D24/230**

[58] Field of Search ..... **D24/216, 224, D24/223, 227, 229, 230; 435/810, 975; 436/808, 531, 809, 513; 422/58, 61, 97, 101, 102, 104**

**References Cited**

**U.S. PATENT DOCUMENTS**

D. 220,040	3/1971	Carver, Jr. ....	D24/223	X
D. 227,180	6/1973	Brodsky .....	D24/223	
D. 241,174	8/1976	Corneille .....	D24/223	
D. 282,399	1/1986	Stafford .....	D24/223	
4,223,093	9/1980	Newman et al. ....	435/810	X
4,921,677	5/1990	Hinckley et al. ....	422/103	
5,100,621	3/1992	Berke .....	D24/223	X

*Primary Examiner*—Louis S. Zarfaz  
*Assistant Examiner*—I. Simmons  
*Attorney, Agent, or Firm*—Dana M. Schmidt

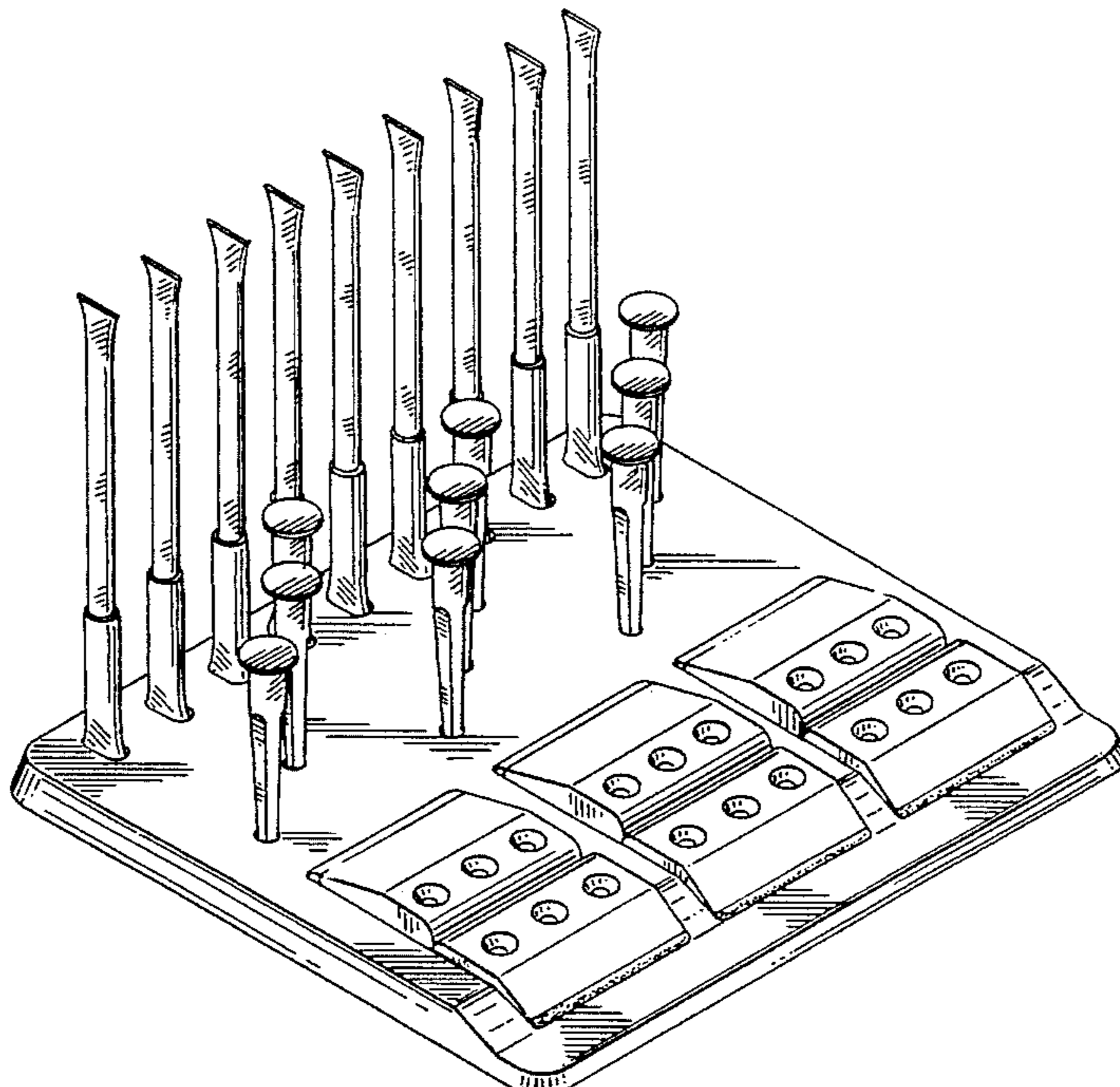
[57] **CLAIM**

The ornamental design for an immunoassay kit for the analysis of biological liquids, to determine the presence of conditions such as pregnancy or infectious disease, as shown and described.

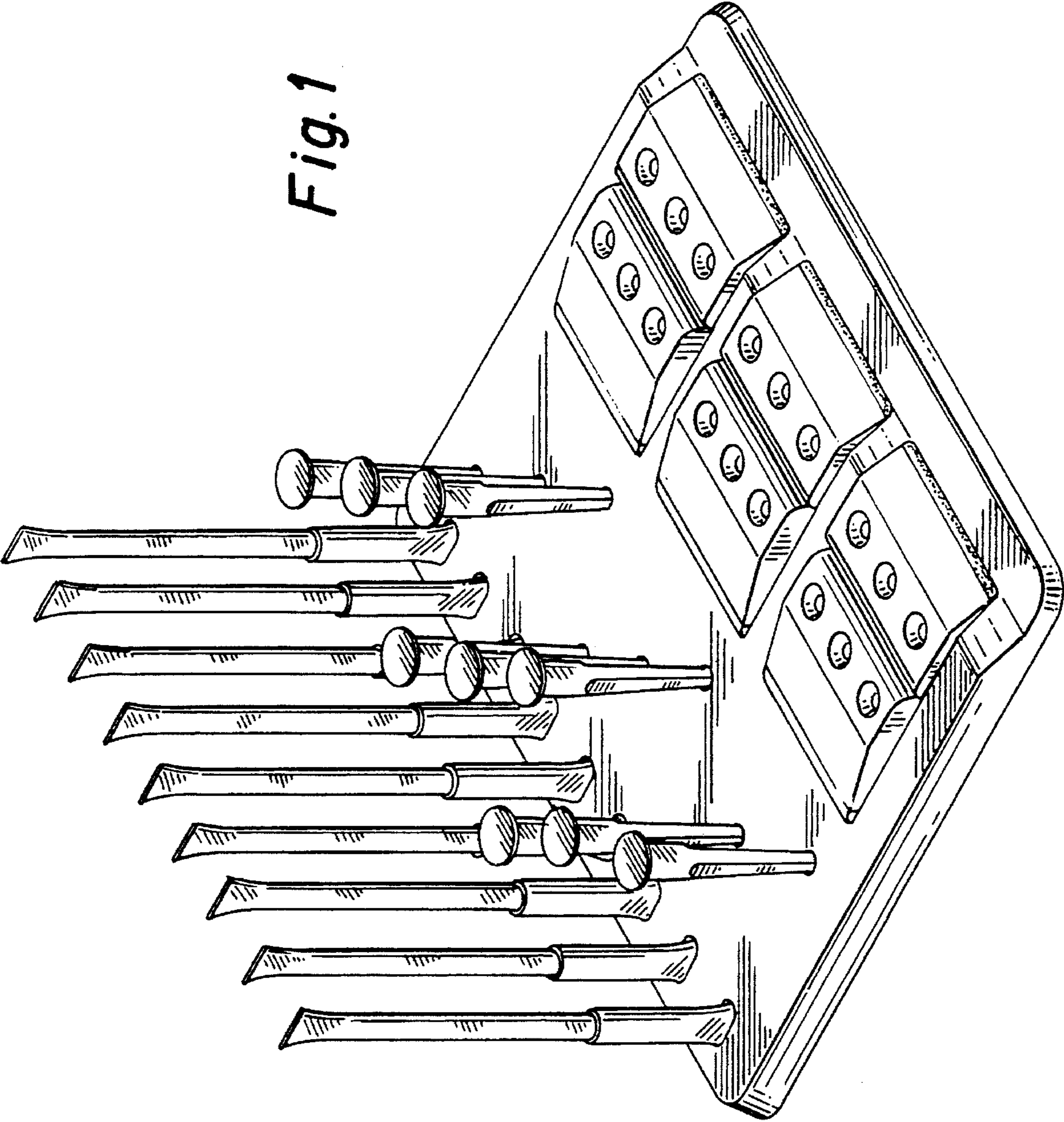
**DESCRIPTION**

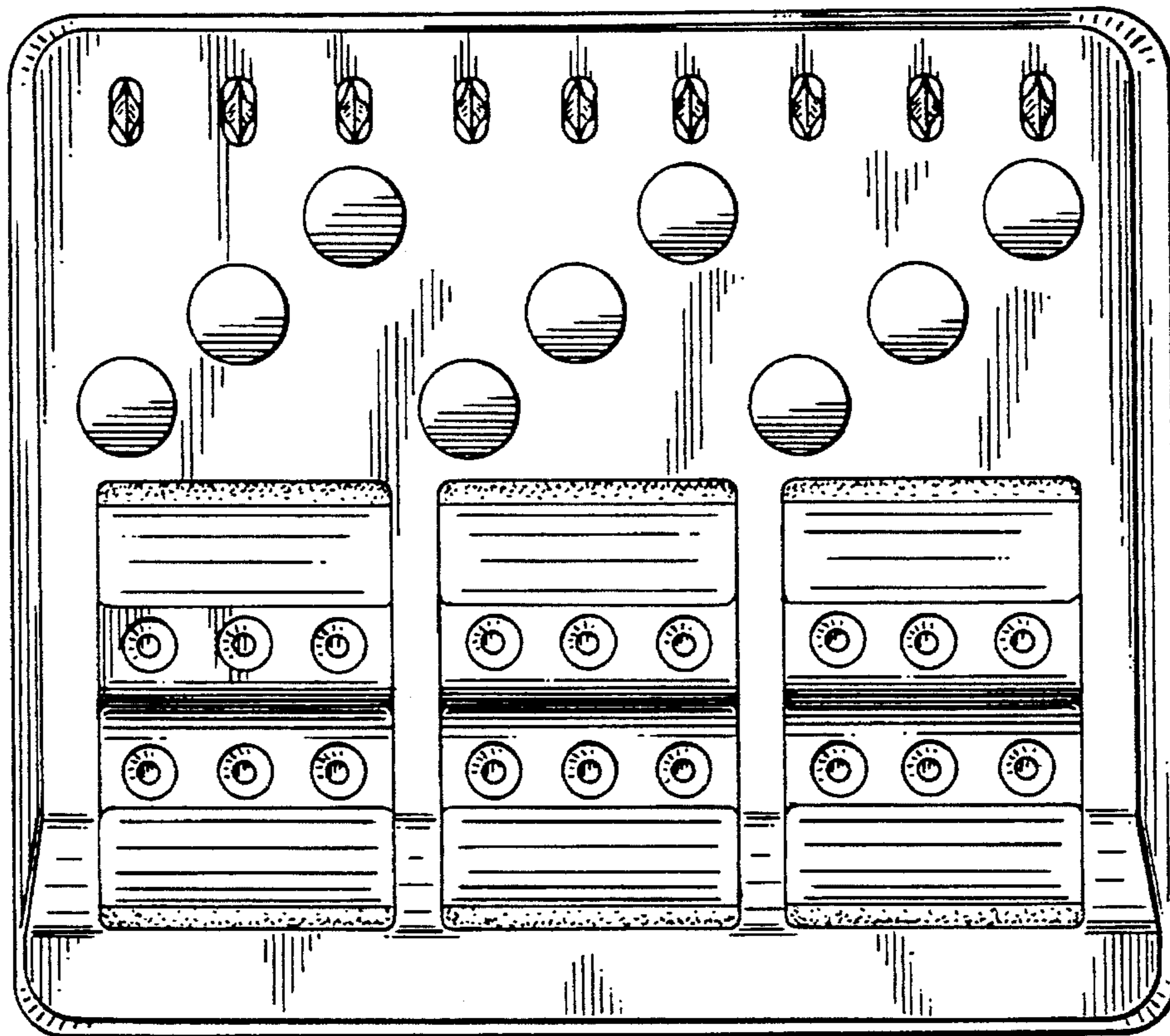
FIG. 1 is a top perspective view of immunoassay kit for analysis of biological liquids, showing our new design; FIG. 2 is a top plan view thereof; FIG. 3 is a side elevational view thereof, the opposite side elevational view being identical thereof; FIG. 4 is a front elevational view thereof; FIG. 5 is a rear elevational view thereof; FIG. 6 is a top perspective view of a second embodiment of an immunoassay kit for analysis of biological liquids showing our new design; FIG. 7 is a top plan view thereof; FIG. 8 is a side elevational view thereof, the opposite side elevational view being identical thereto; FIG. 9 is a top perspective view of a third embodiment of an immunoassay kit for analysis of biological liquids; FIG. 10 is a top plan view thereof; FIG. 11 is a side elevational view thereof the opposite side elevational view being identical thereto; FIG. 12 is a front elevational view thereof; FIG. 13 is a rear elevational view thereof; FIG. 14 is a top perspective view of a fourth embodiment of an immunoassay kit for analysis of biological liquids showing our new design; FIG. 15 is a side elevational view of the embodiment of FIG. 14, the opposite side elevational view being the mirror image of FIG. 15; and, FIG. 16 is a front elevational view thereof.

**1 Claim, 11 Drawing Sheets**

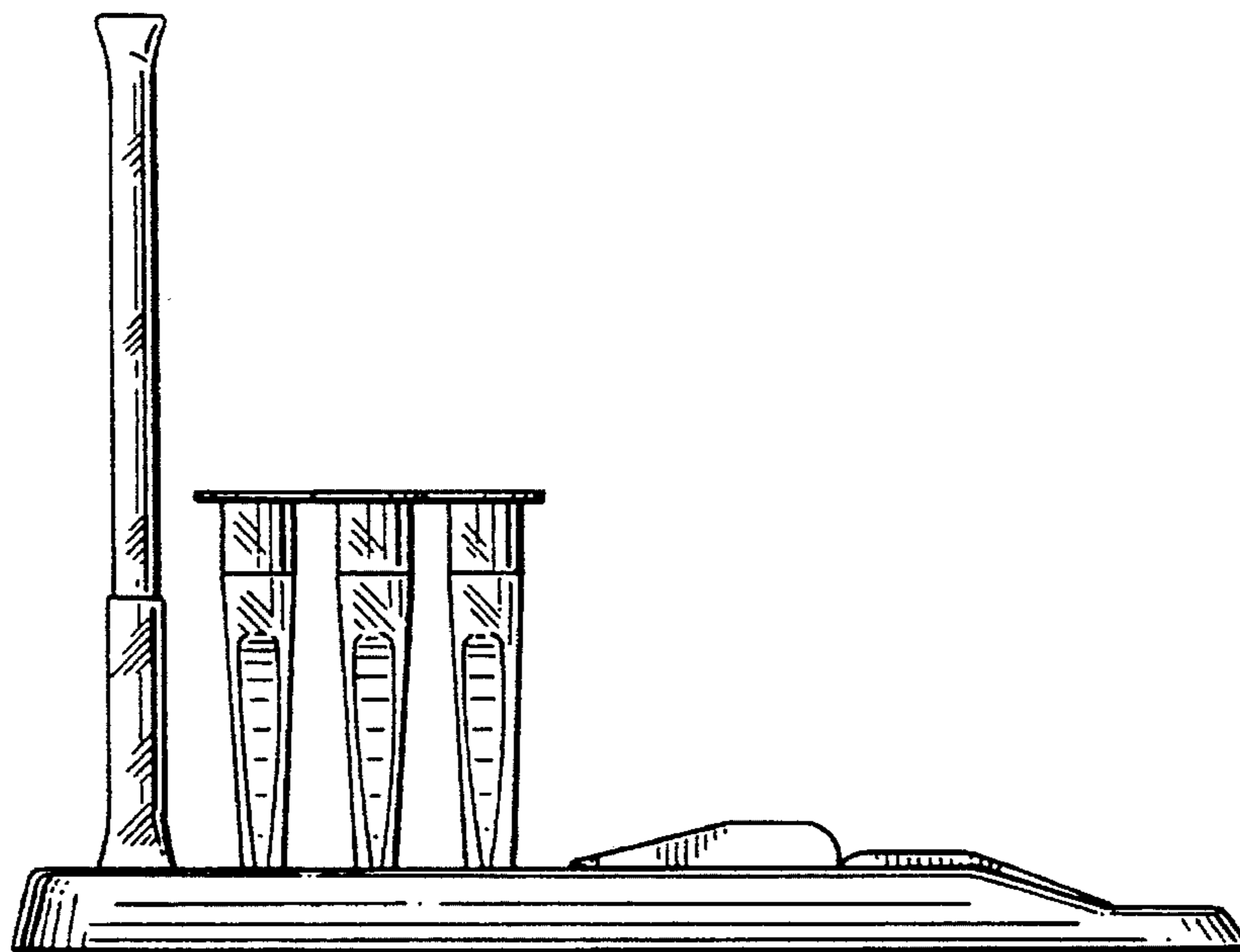


*Fig. 1*





*Fig. 2*



*Fig. 3*

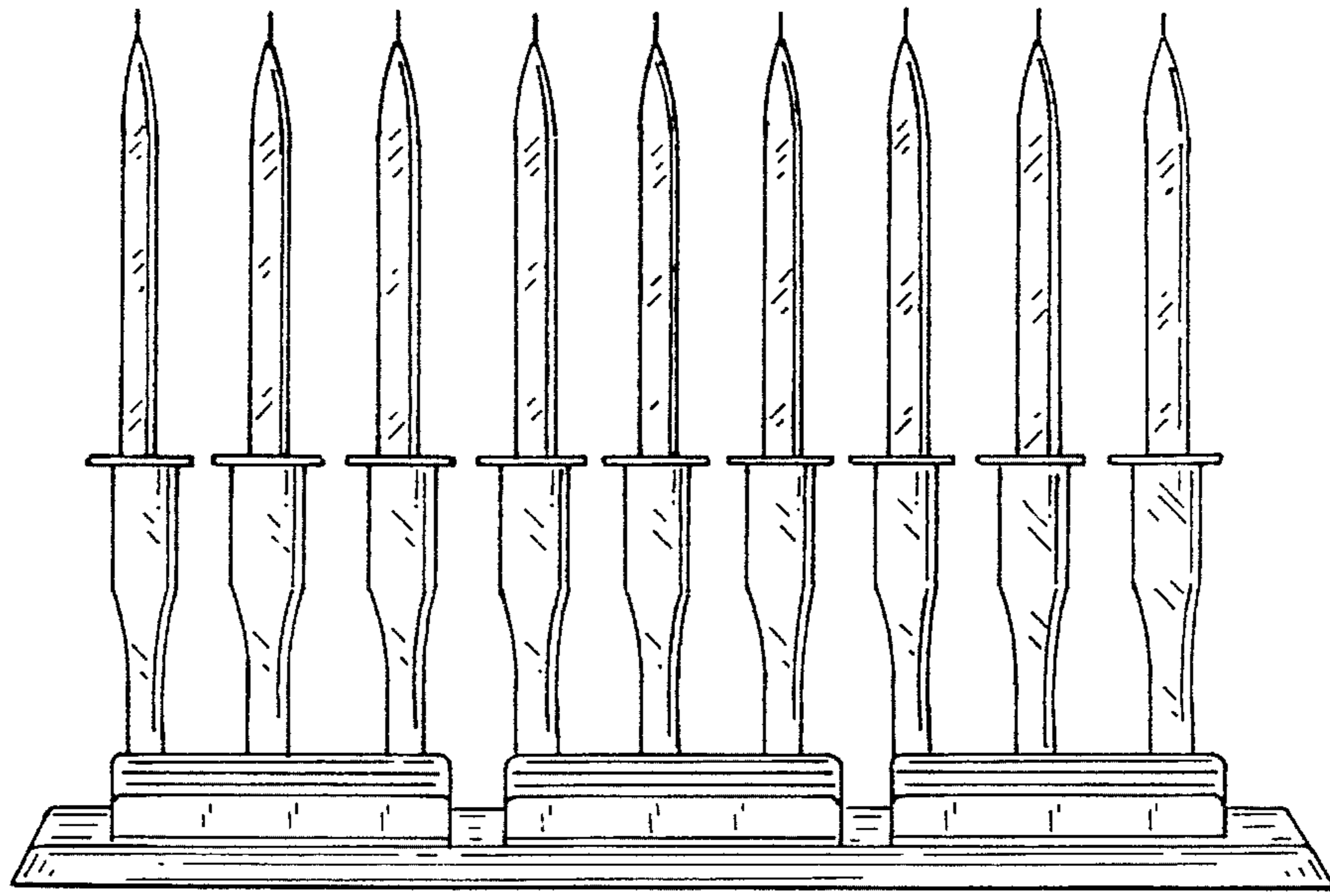


FIG. 4

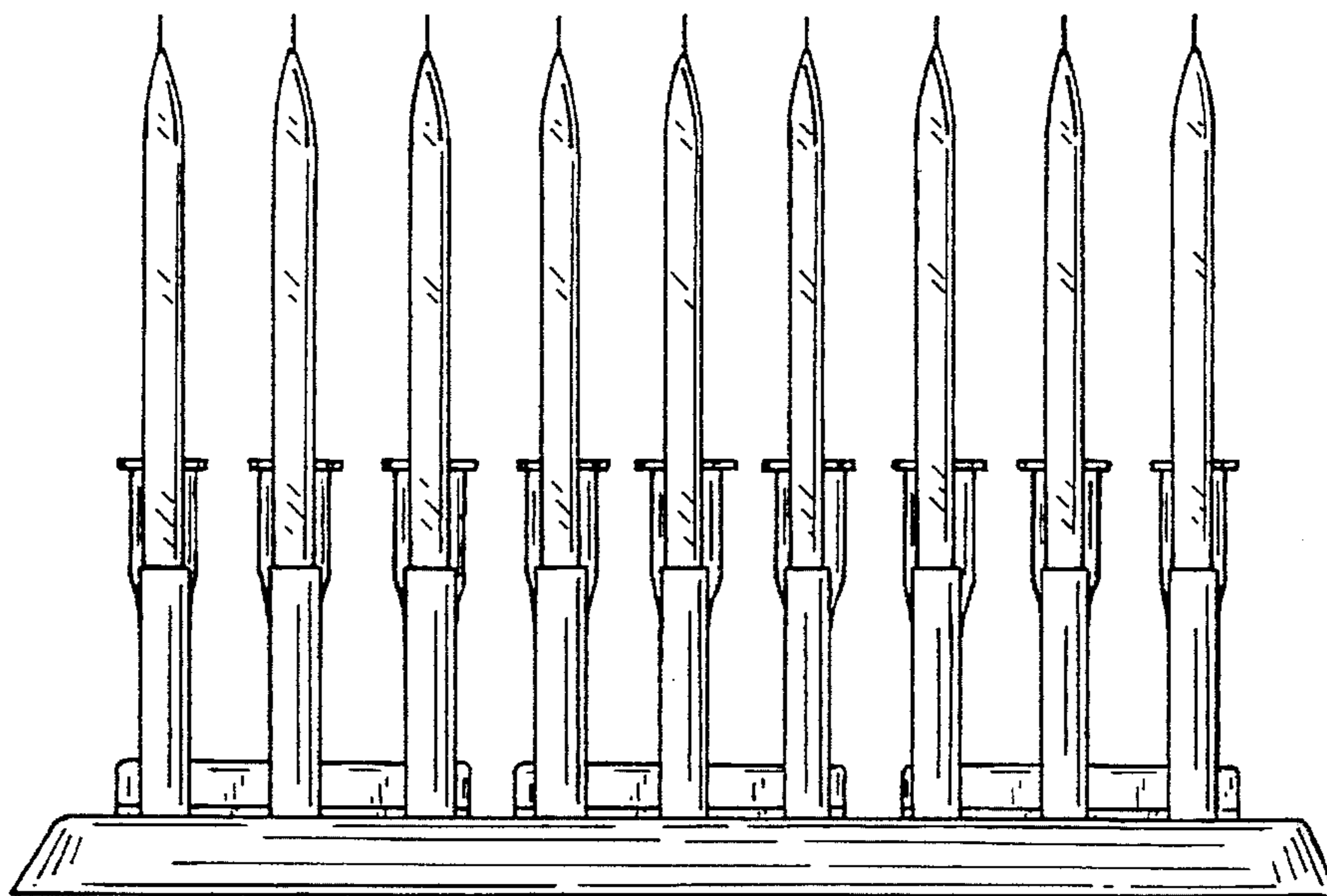
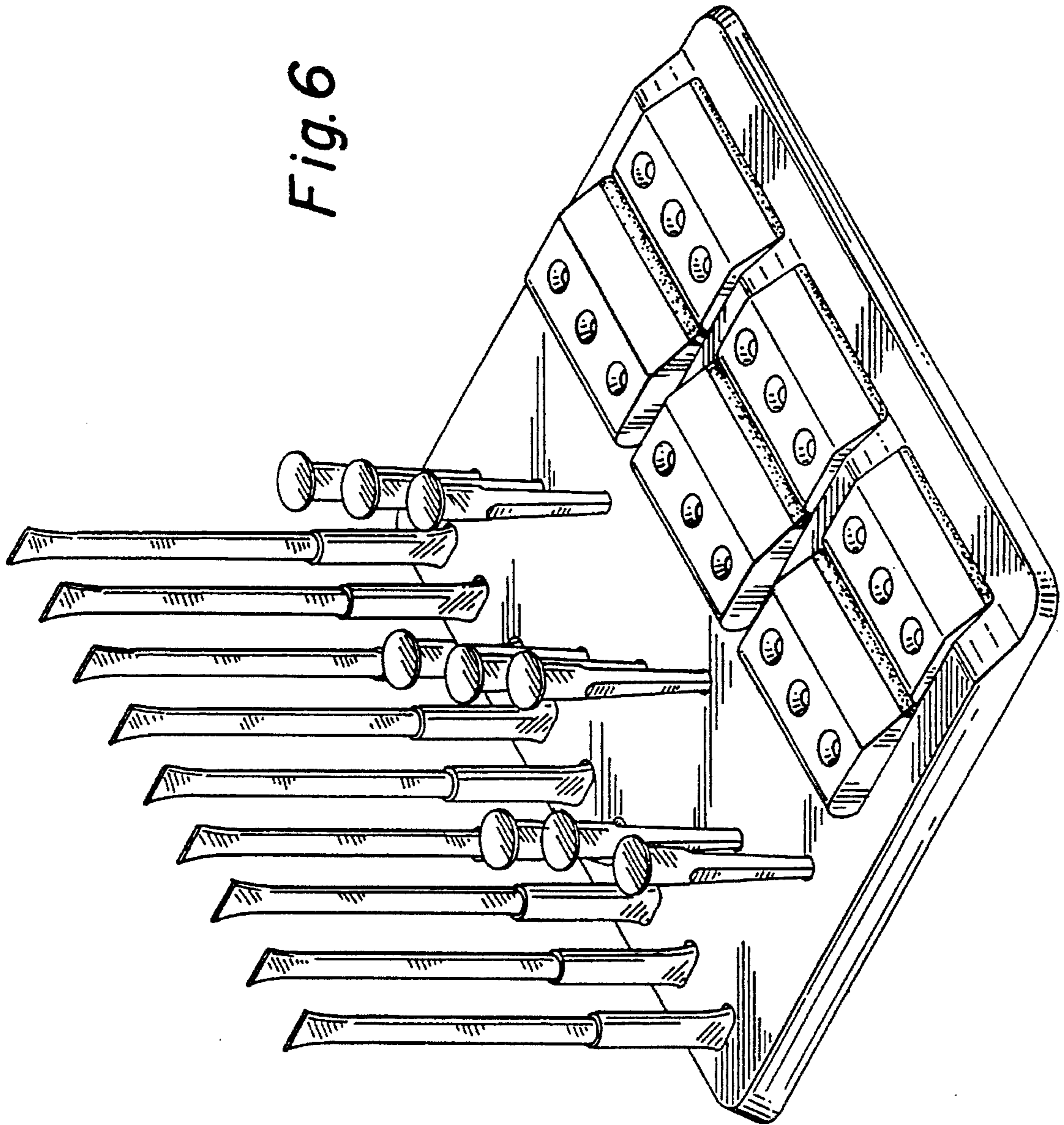
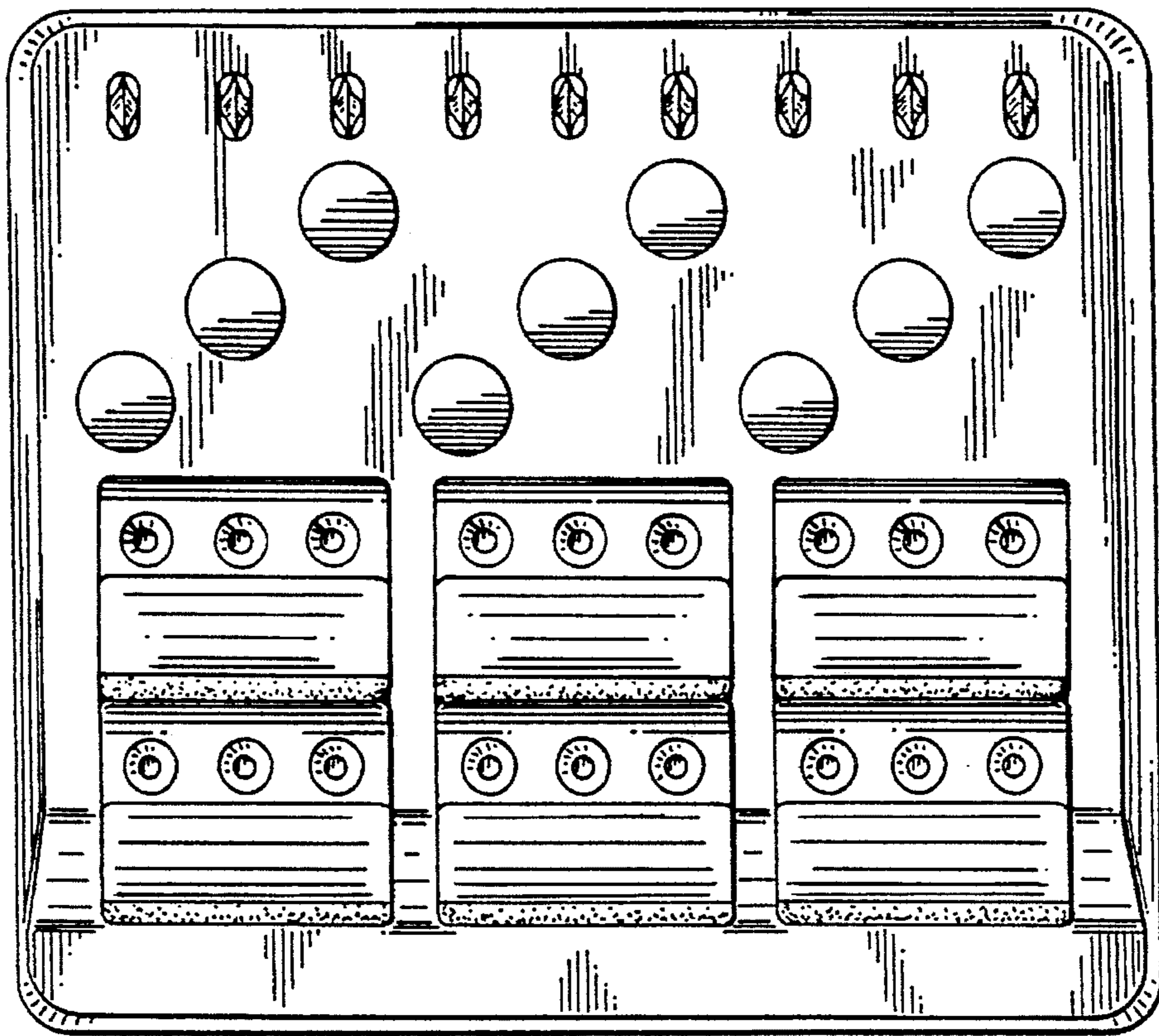


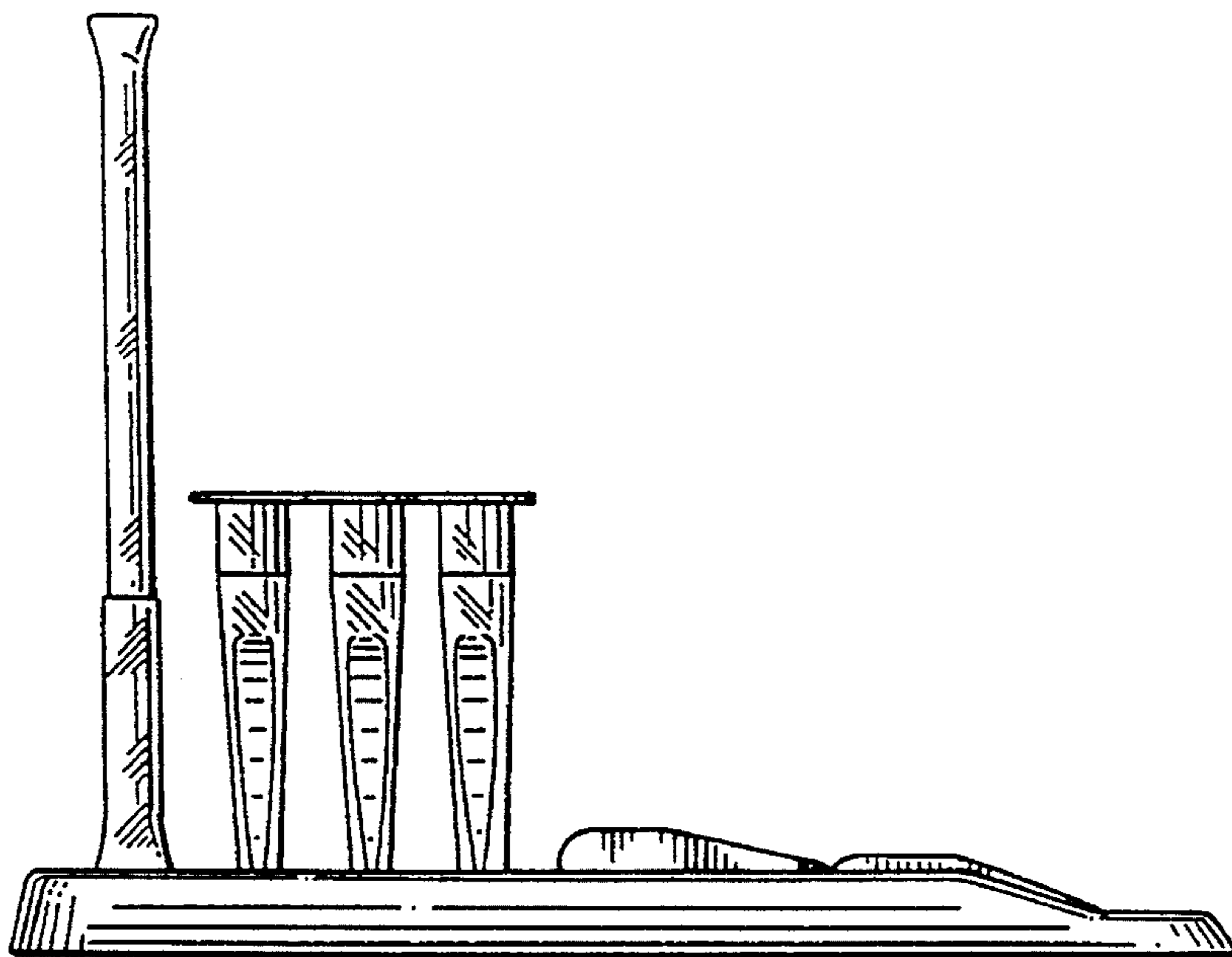
FIG. 5

Fig. 6





*Fig. 7*



*Fig. 8*

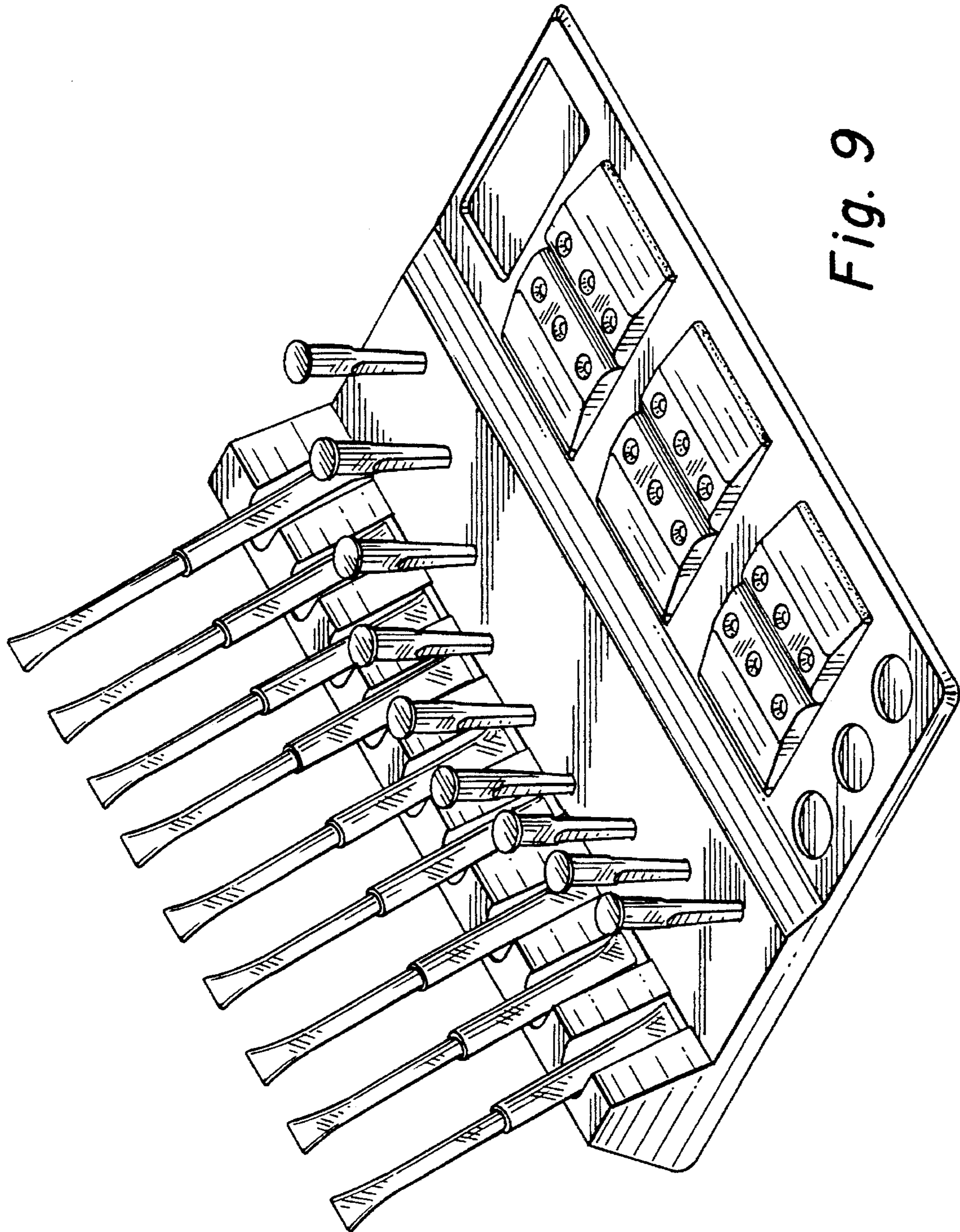
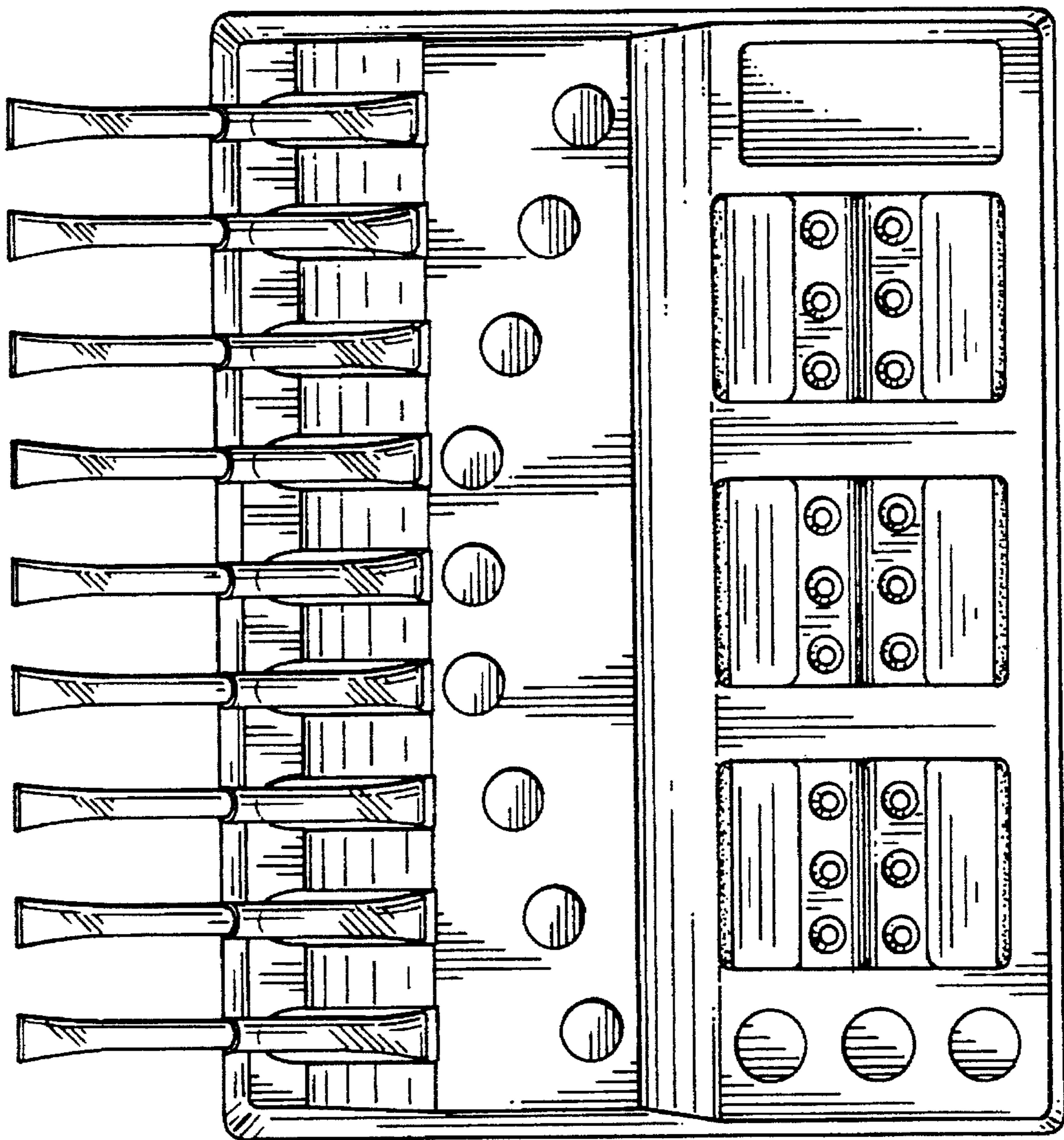
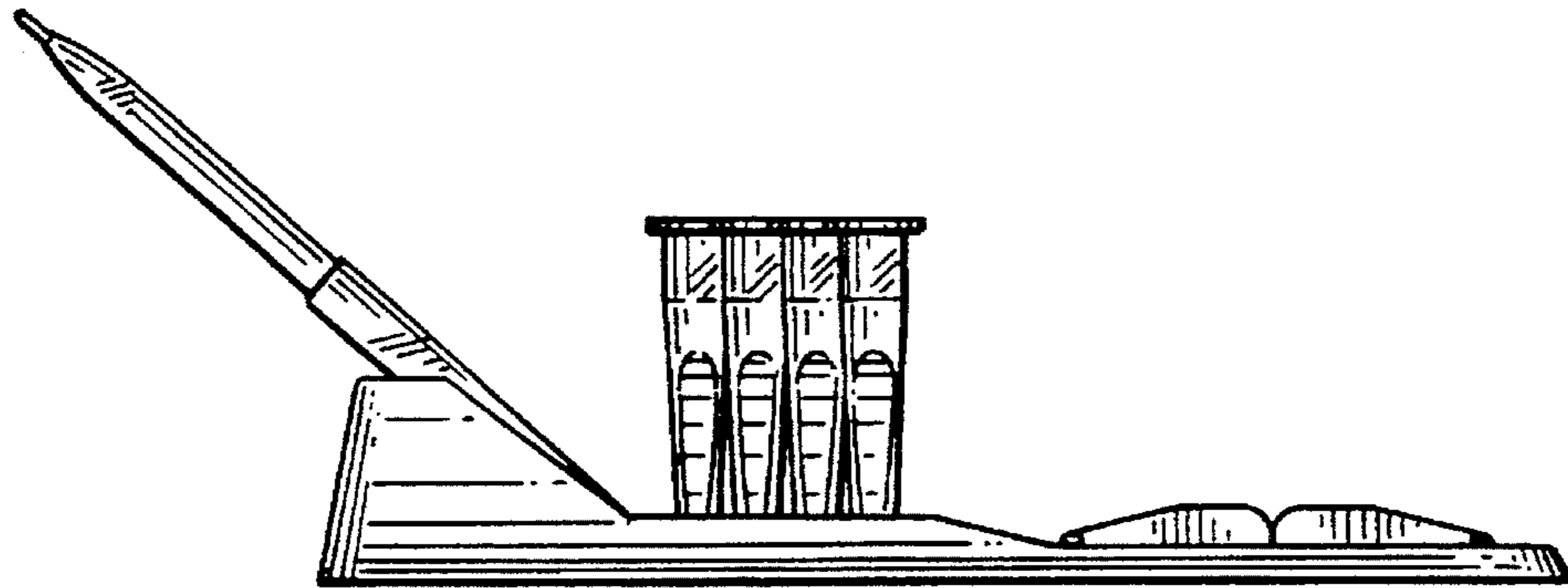


Fig. 9

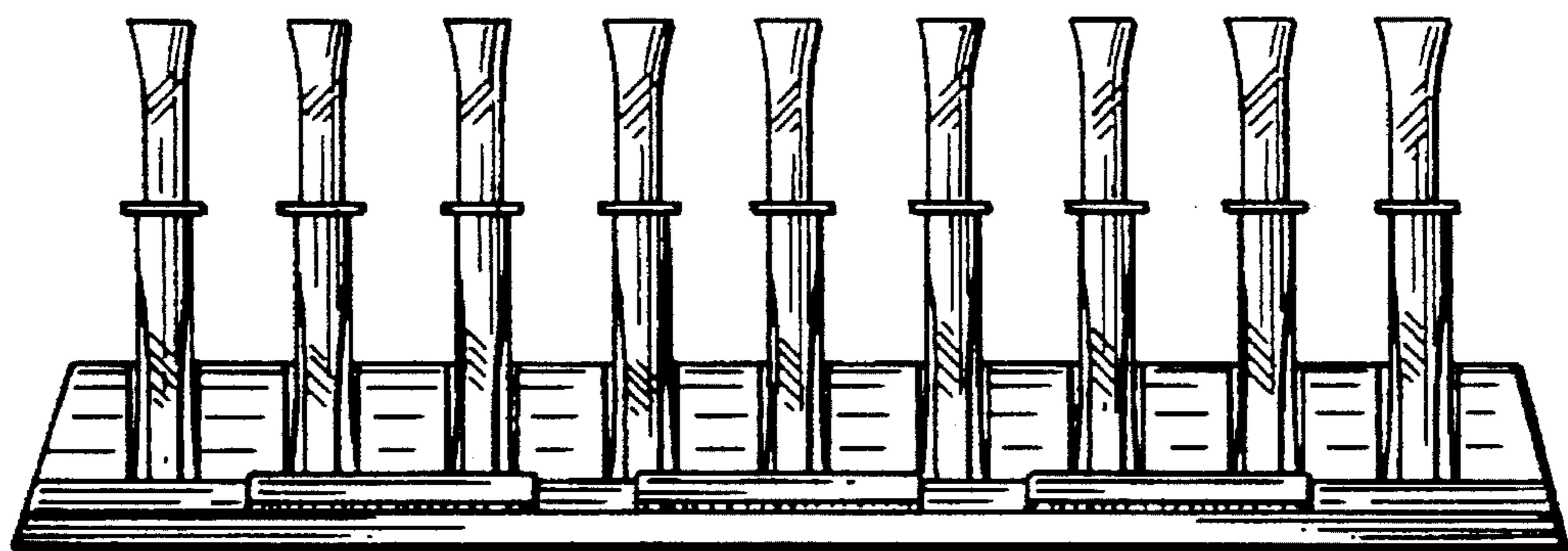
Fig. 10



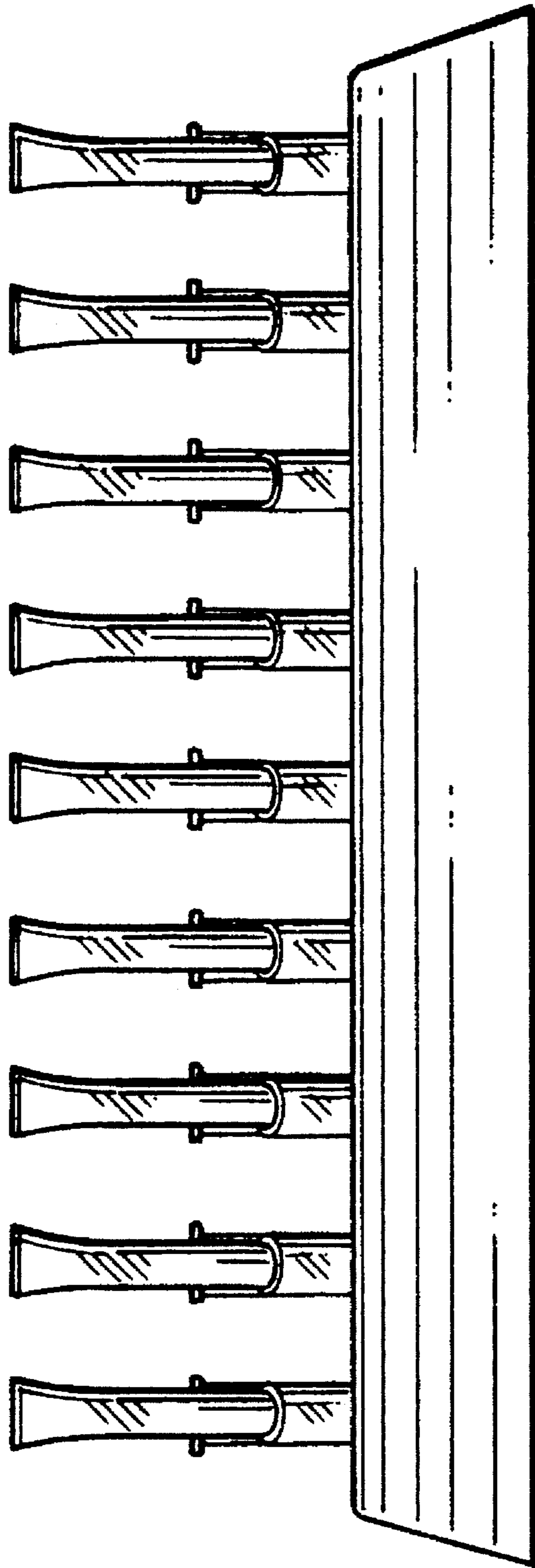




*Fig. 11*



*Fig. 12*



*Fig. 13*

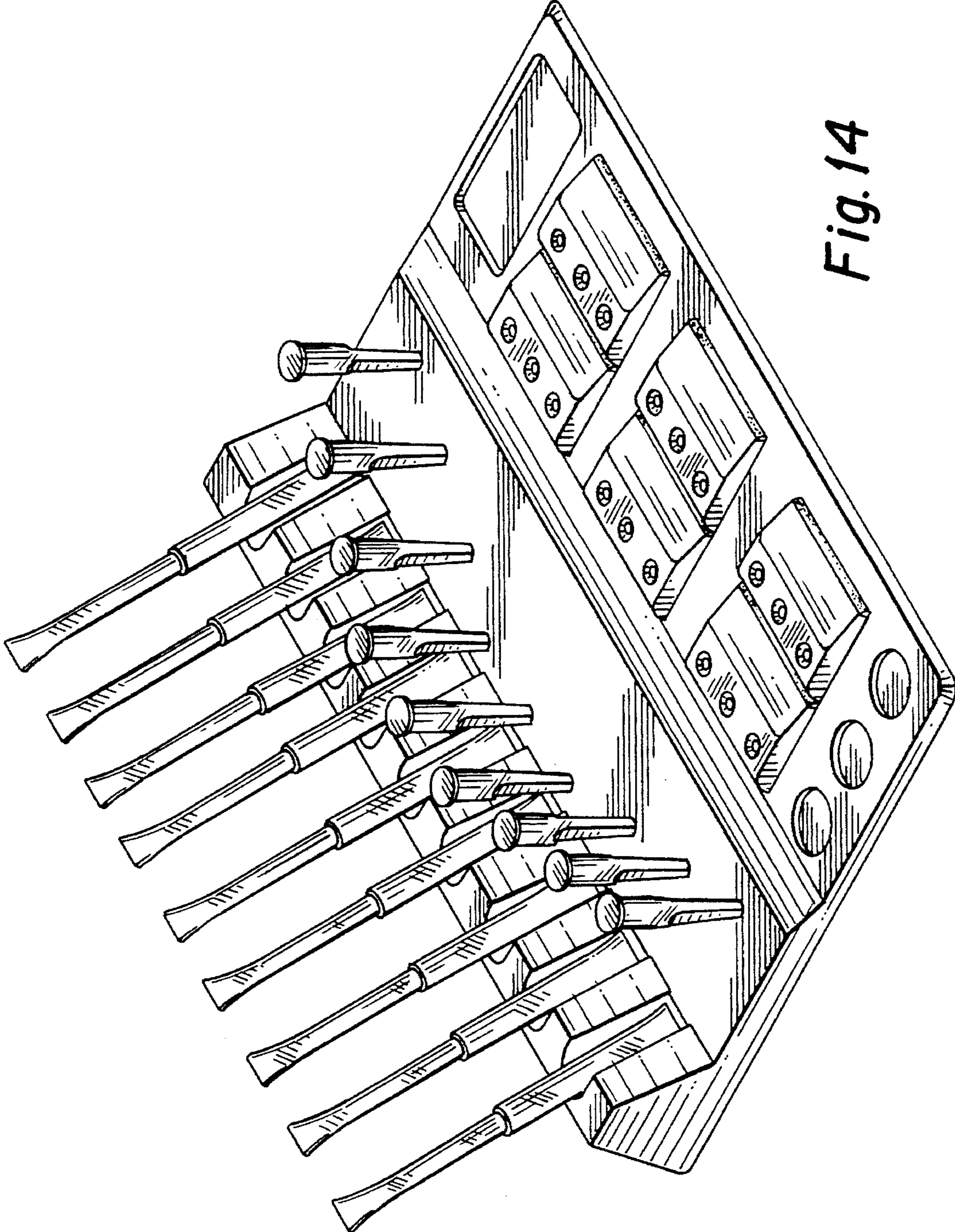
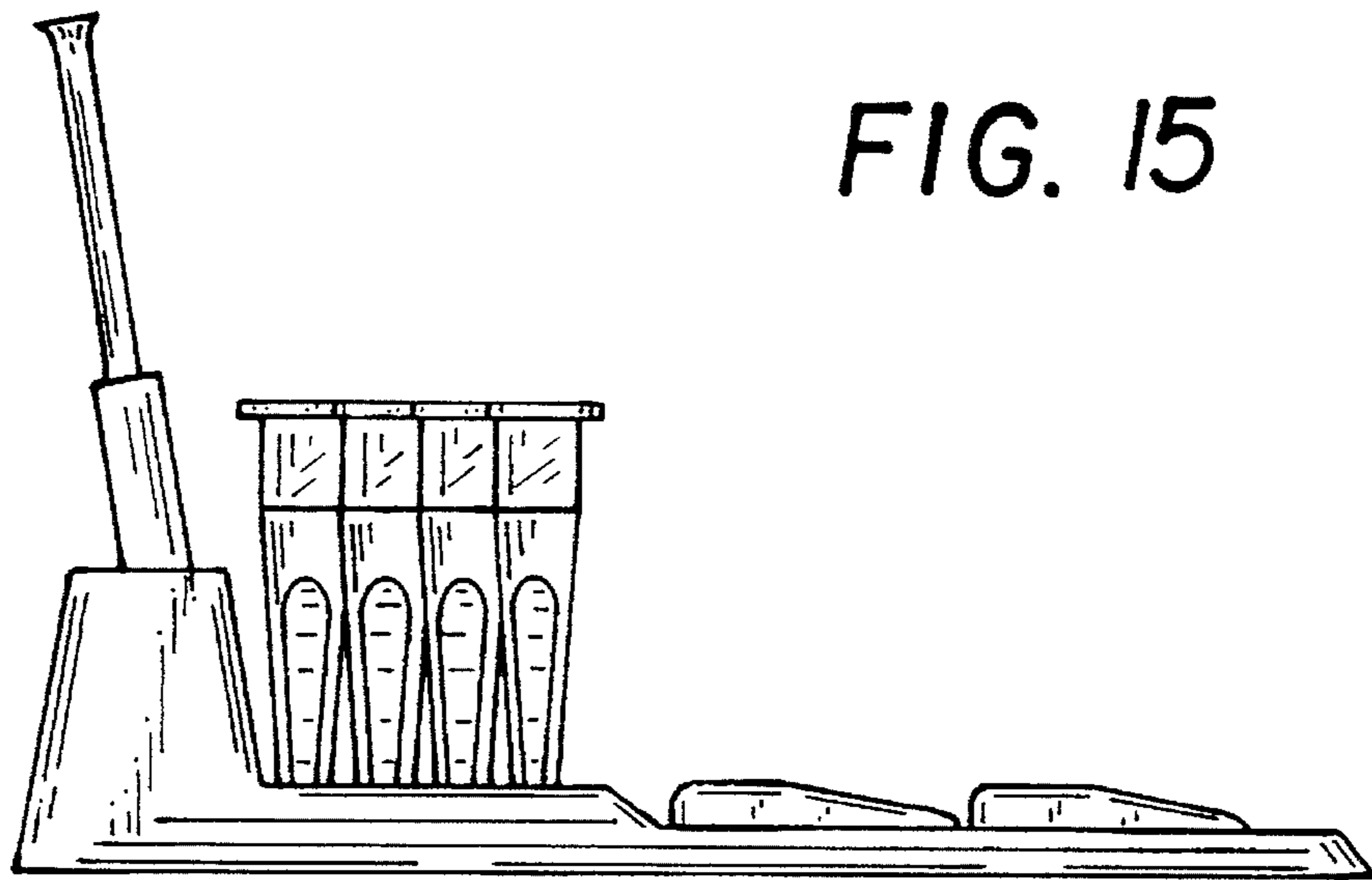
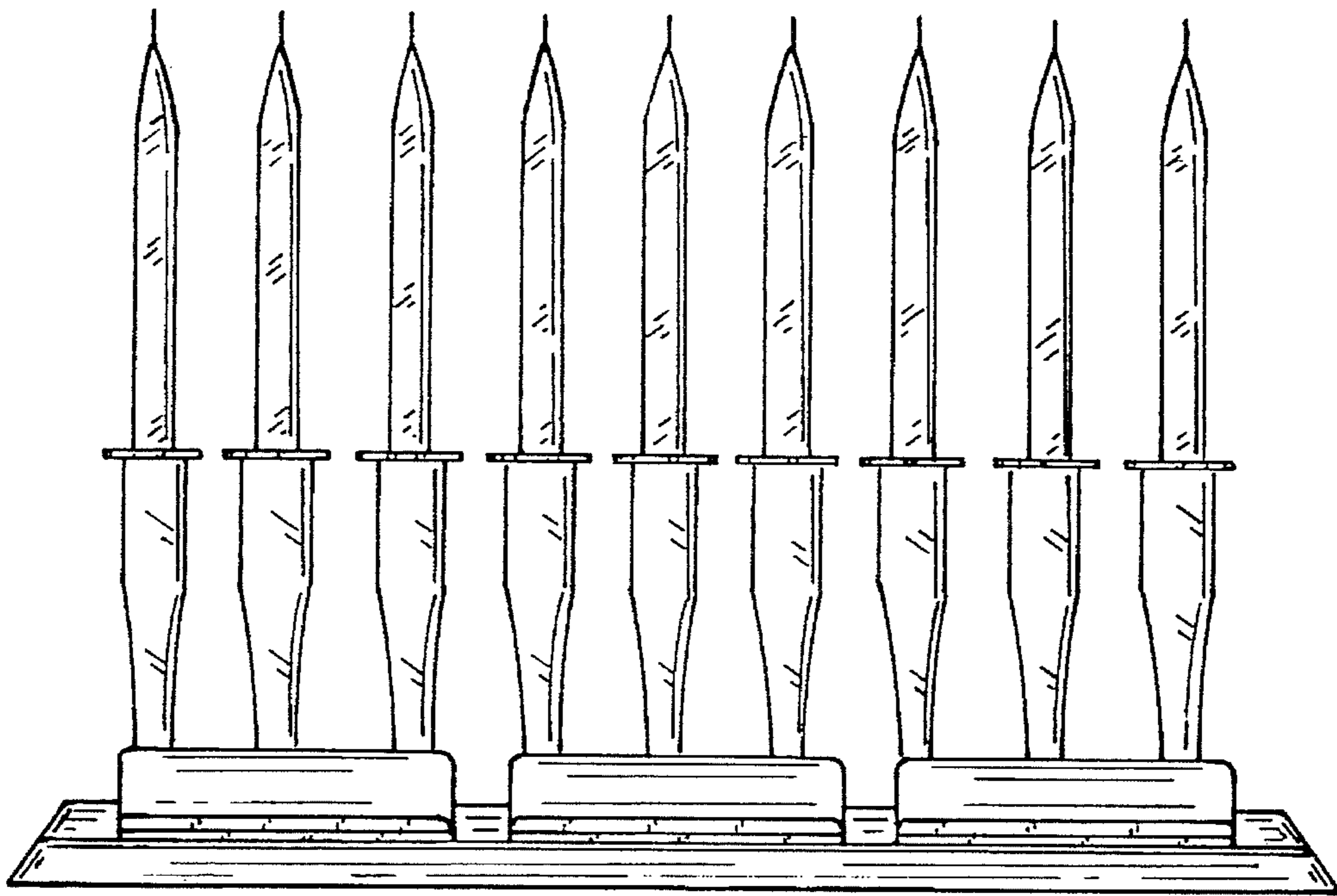


Fig. 14



*FIG. 15*



*FIG. 16*