



US00D366527S

**United States Patent** [19]  
**Paterson**

[11] **Patent Number: Des. 366,527**

[45] **Date of Patent: \*\*Jan. 23, 1996**

[54] **X-RAY ACCESSORY SUPPORT WEDGE**

3,648,308 3/1972 Greenwalt ..... D6/601 X

[76] Inventor: **Virginia Paterson**, 287 Brock St.,  
Winnipeg, Manitoba, Canada, R3N 0Y8

*Primary Examiner*—A. Hugo Word  
*Assistant Examiner*—E. Watterson  
*Attorney, Agent, or Firm*—Bereskin & Parr

[\*\*] Term: **14 Years**

[57] **CLAIM**

[21] Appl. No.: **886,481**

The ornamental design for a x-ray accessory support wedge,  
as shown.

[22] Filed: **May 22, 1992**

[52] U.S. Cl. .... **D24/158**

[58] **Field of Search** ..... D24/158, 161,  
D24/183; D6/601; 5/630, 633, 636, 646,  
648, 650, 651

**DESCRIPTION**

FIG. 1 is a front perspective view showing an x-ray support  
wedge according to my design;

FIG. 2 is a rear perspective view of my design; and,

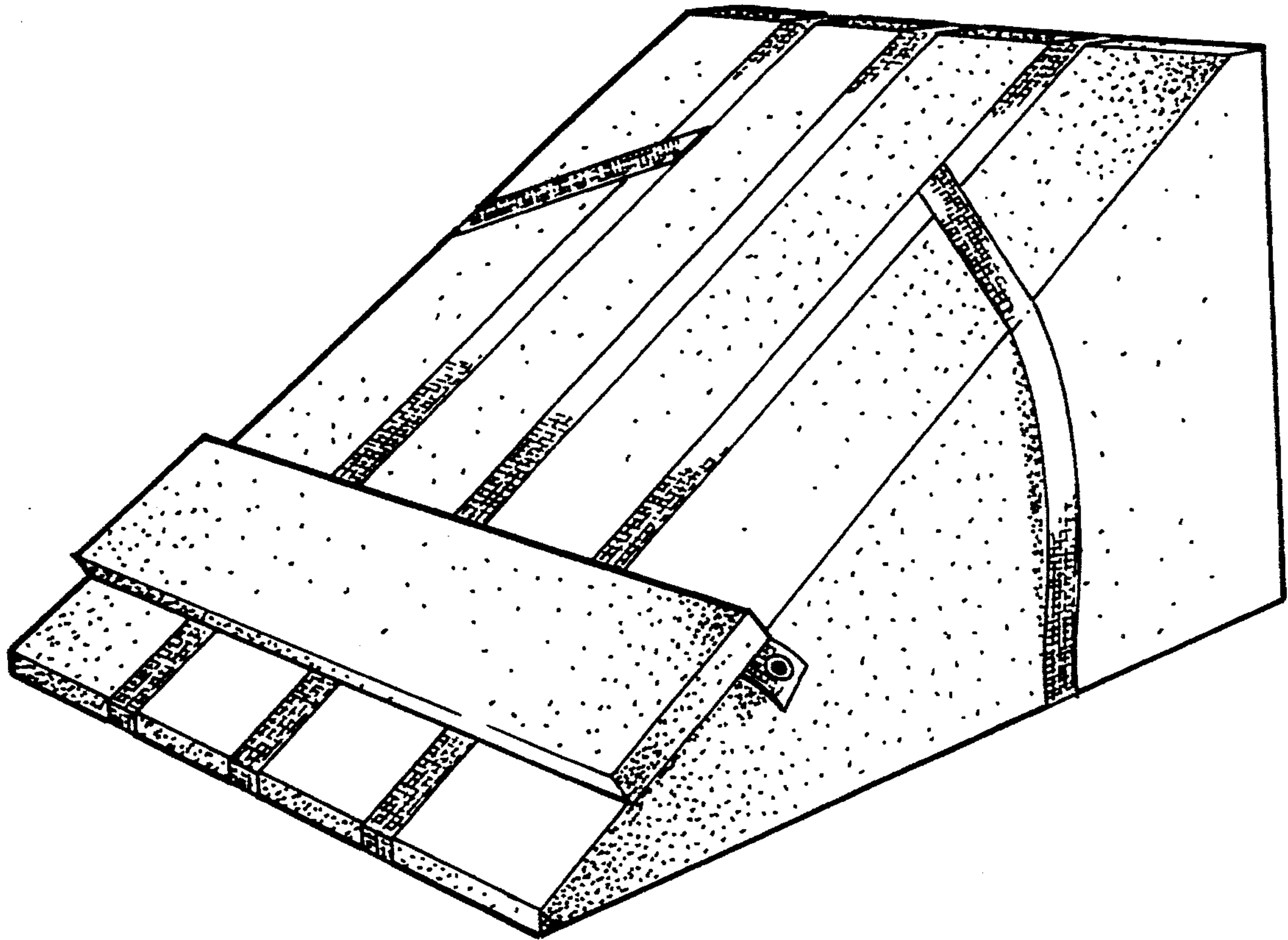
FIG. 3 is a bottom view of my design.

[56] **References Cited**

**U.S. PATENT DOCUMENTS**

3,284,817 10/1963 Laudwirth ..... 5/630 X

**1 Claim, 3 Drawing Sheets**



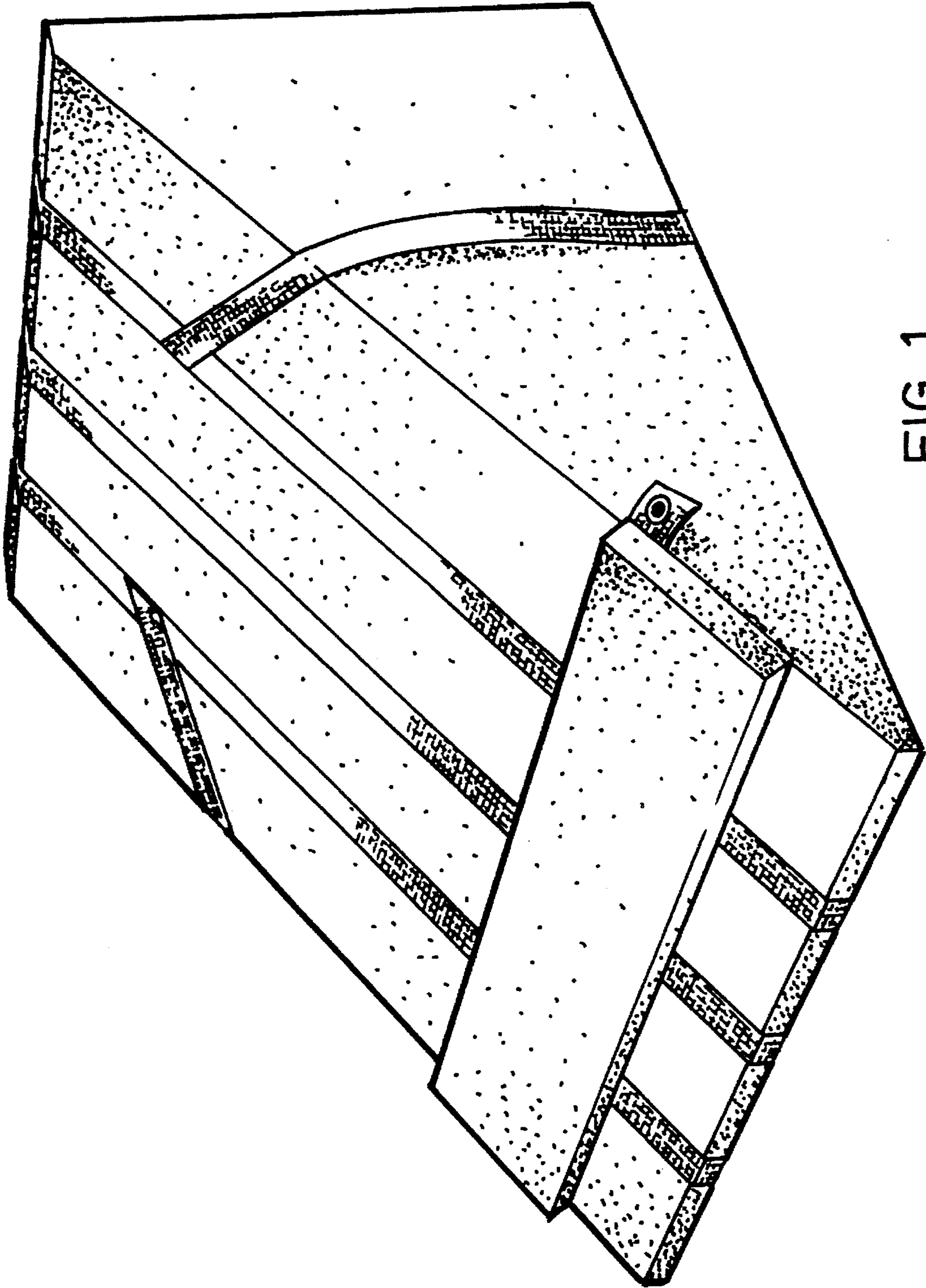


FIG 1

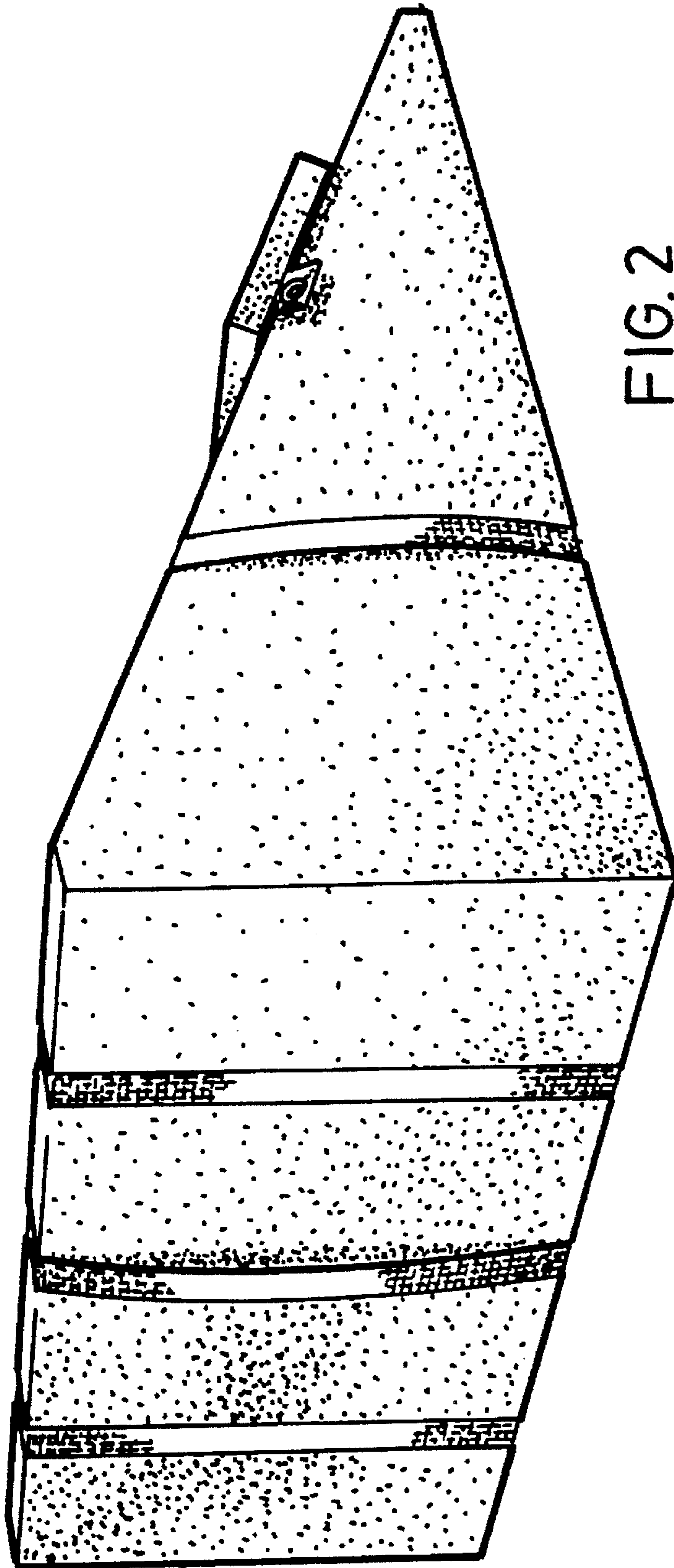


FIG. 2



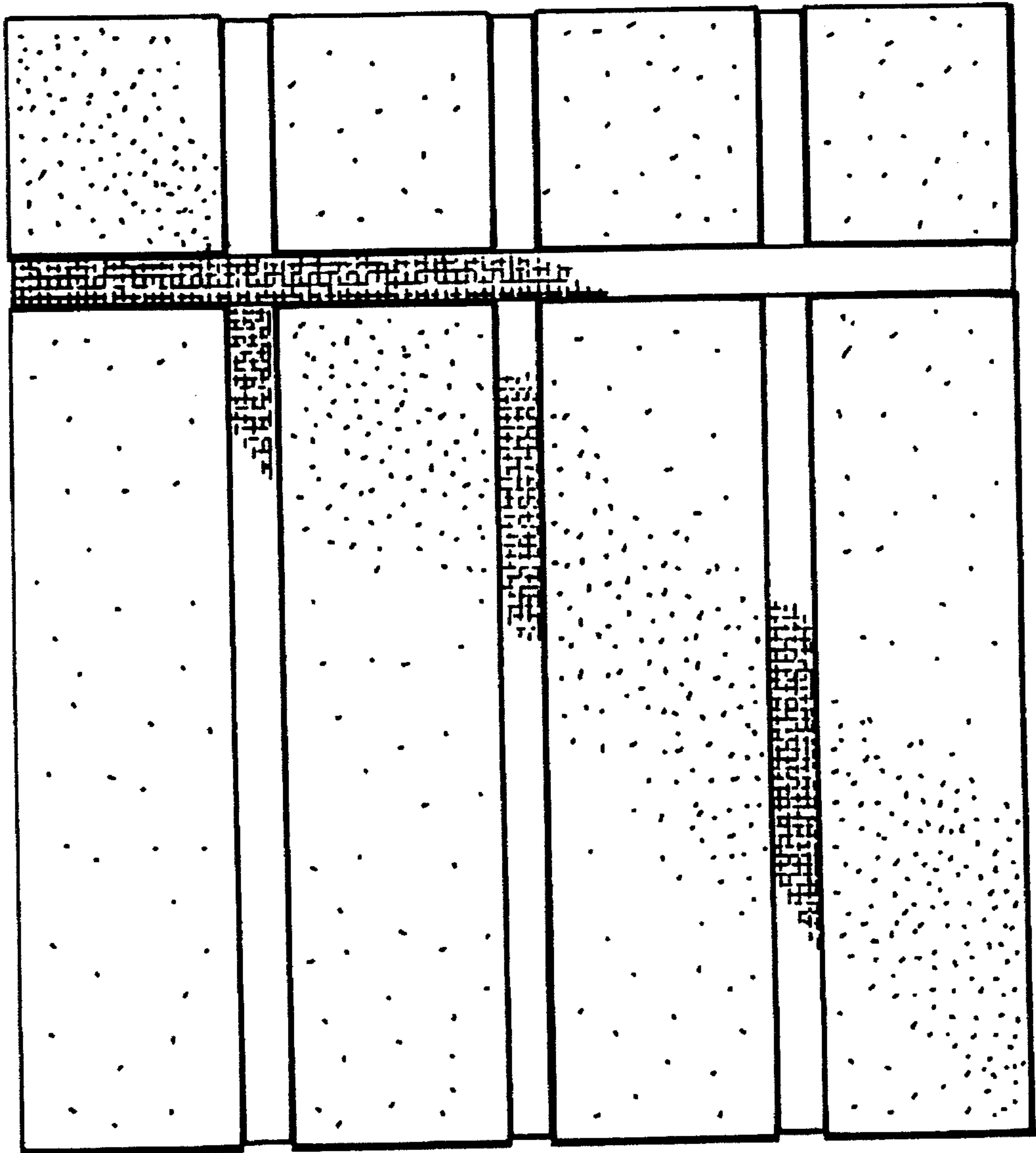


FIG 3