



US00D366525S

United States Patent [19]

[11] Patent Number: **Des. 366,525**

Toy et al.

[45] Date of Patent: ****Jan. 23, 1996**

[54] HANDLE FOR AN ENDOSCOPIC SURGICAL INSTRUMENT

[76] Inventors: **Frederick K. Toy**, 565 N. Hall St.; **Roy T. Smoot, Jr.**, Rte. 4, Box 239; **Robert H. LaPrad**, Rte. 1 - Box 337 B W, all of Seaford, Del. 19973

[**] Term: **14 Years**

[21] Appl. No.: **15,947**

[22] Filed: **Dec. 2, 1993**

[52] U.S. Cl. **D24/143; D24/133; D24/145; D24/147**

[58] Field of Search **D24/143, 145, D24/146; 606/142, 143, 139, 144, 205, 52, 203, 208, 174, 167, 206**

[56] References Cited

U.S. PATENT DOCUMENTS

2,114,695	4/1938	Anderson .	
4,590,936	5/1986	Straub et al. .	
4,784,137	11/1988	Kulik et al. .	
5,281,237	1/1994	Gimpelson	606/146
5,282,800	2/1994	Foshee et al.	606/205 X
5,336,238	8/1994	Holmes et al.	606/208
5,342,391	8/1994	Foshee et al.	606/205
5,352,235	10/1994	Koros et al.	606/174
5,358,508	10/1994	Cobb	606/174
5,368,606	11/1994	Marlow et al.	604/174 X

FOREIGN PATENT DOCUMENTS

0598201	5/1994	WIPO	606/205
---------	--------	------------	---------

OTHER PUBLICATIONS

Laparoscopic Hysteroscopic Systems and Duren Cabot Medical, Langhorne, Pa. Jun. 1993 pp. 12, 29, 40, 41 and 67.

Primary Examiner—Louis S. Zarfes

Assistant Examiner—I. Simmons

Attorney, Agent, or Firm—Dann, Dorfman, Herrell and Skillman; Henry H. Skillman

[57] CLAIM

The ornamental design for a handle for an endoscopic surgical instrument, as shown and described.

DESCRIPTION

FIG. 1 is a front elevational view of a handle for an endoscopic surgical instrument showing our new design, shown in closed position, the rear elevational view being a mirror image thereto;

FIG. 2 is a bottom plan view thereof;

FIG. 3 is a top plan view thereof;

FIG. 4 is a front elevational view thereof, shown in open position, the rear elevational view being a mirror image thereto;

FIG. 5 is an end elevational view thereof; and,

FIG. 6 is an end elevational view thereof, opposite that shown in FIG. 5.

The design of the endoscopic surgical apparatus is embodied in the handle portion shown in full lines in FIGS. 1-7. The portions of the instruments shown in broken lines do not constitute a part of the ornamental design.

The broken line showing of the tips in the FIGS. 1 through 4 is for illustrative purposes only and forms no part of the claimed design.

1 Claim, 2 Drawing Sheets

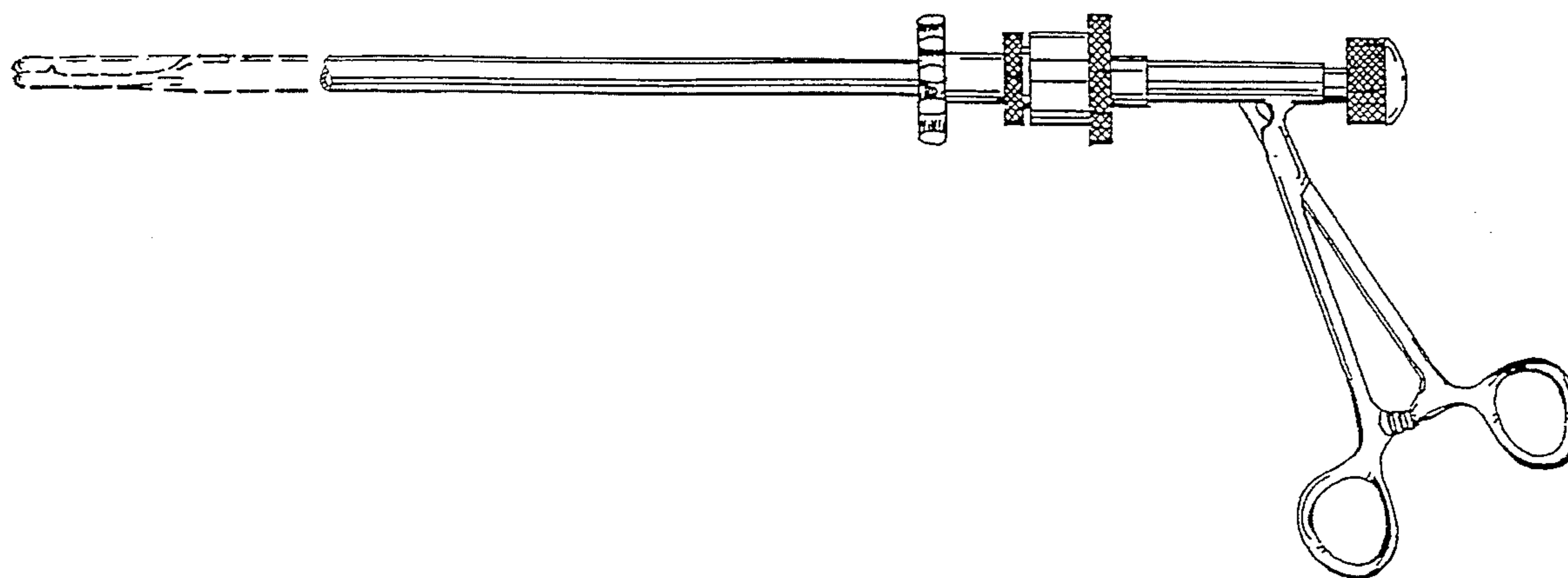


FIG. 1

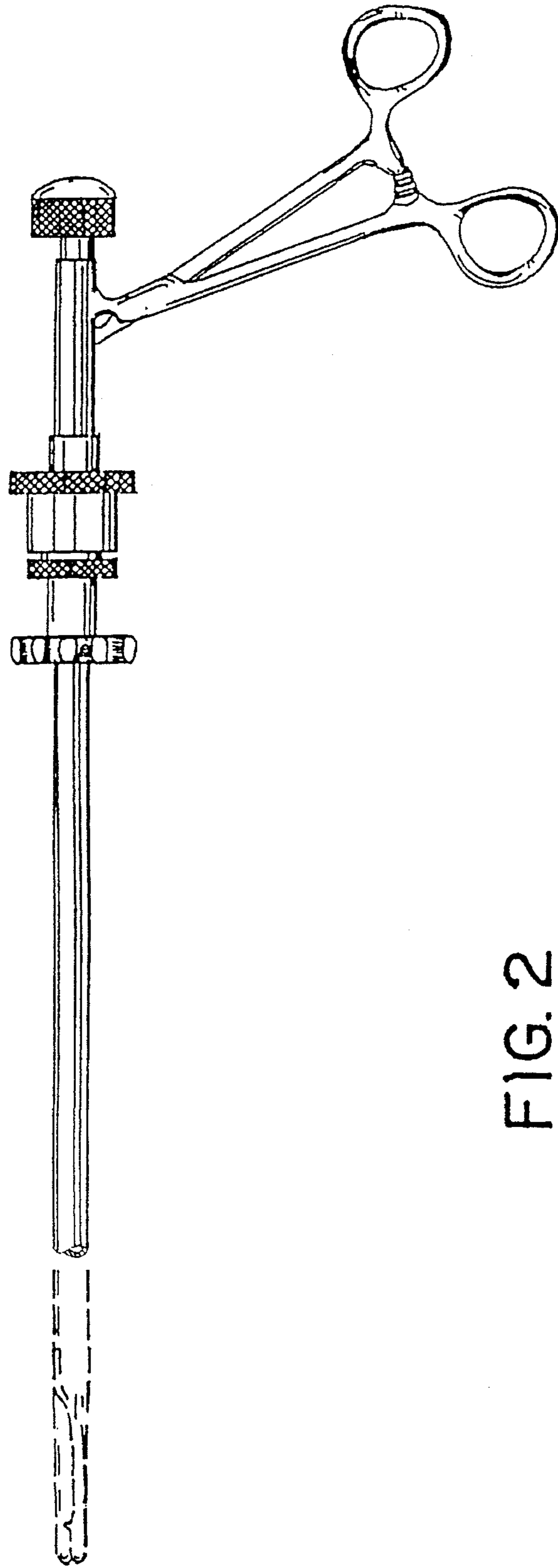


FIG. 2

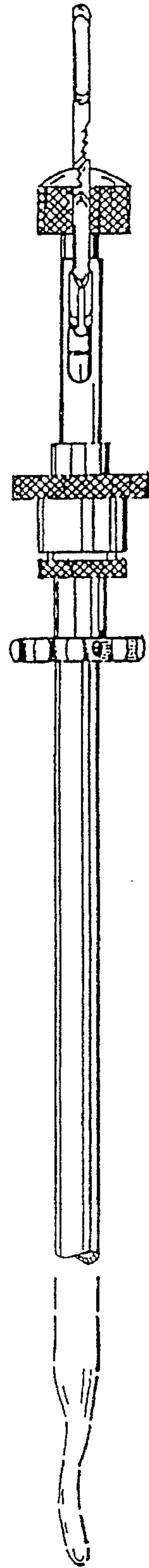
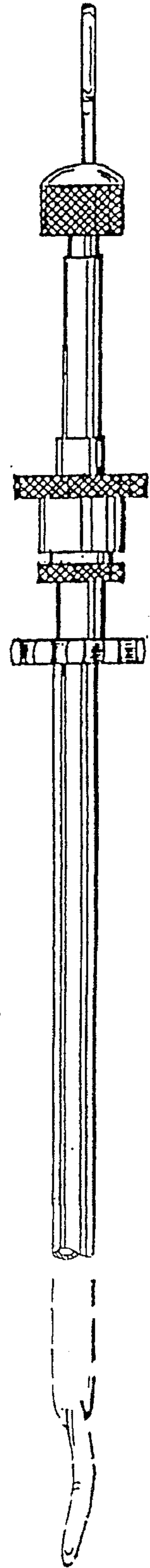


FIG. 3



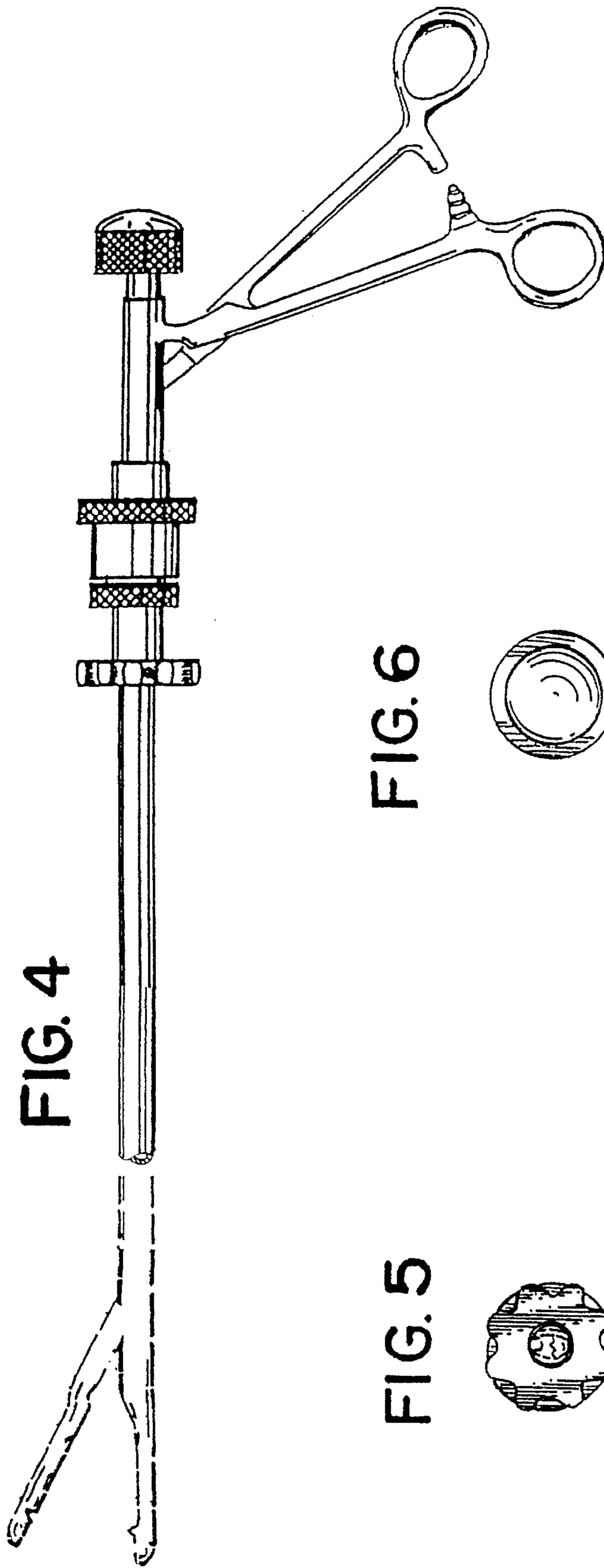


FIG. 6

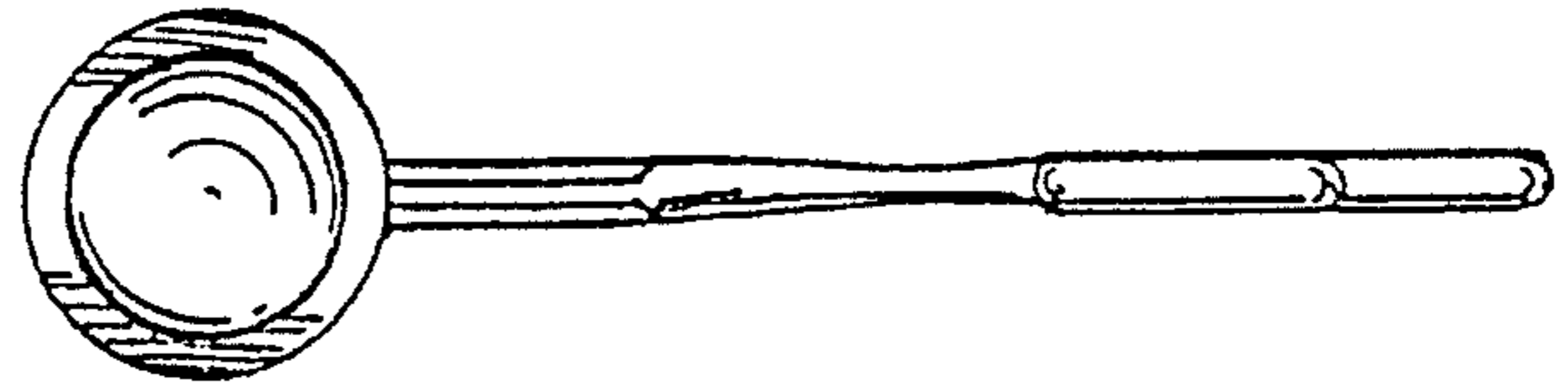
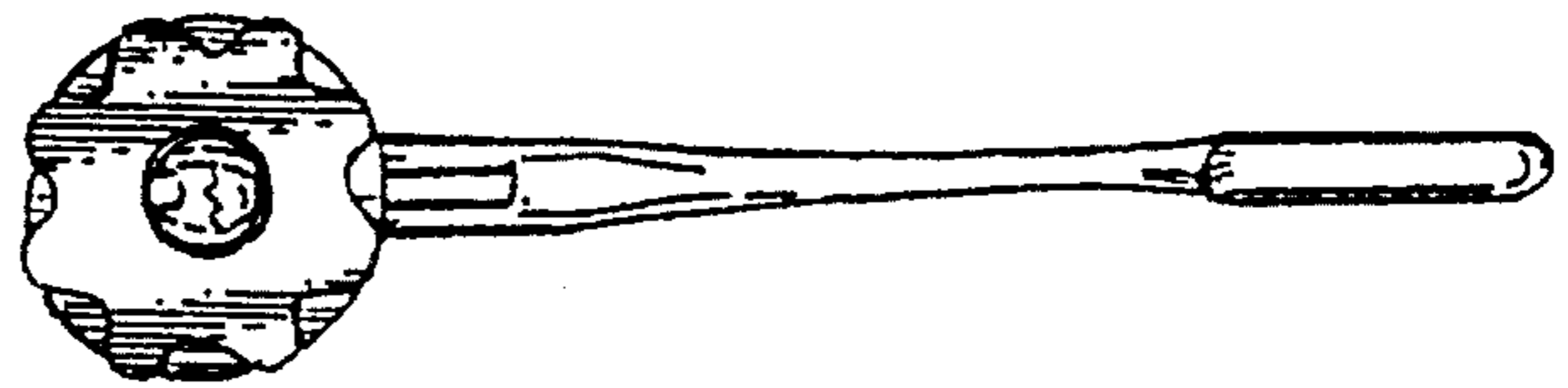


FIG. 5



UNITED STATES PATENT AND TRADEMARK OFFICE
CERTIFICATE OF CORRECTION

PATENT NO. : **DES. 366,525**

DATED : **January 23, 1996**

INVENTOR(S) : **Frederick K. Toy; Roy T. Smoot, Jr; Robert H. LaPrad**

It is certified that error appears in the above-identified patent and that said Letters Patent is hereby corrected as shown below:

On the title page,

In the description, line 14, "FIGS. 1-7" should be --FIGS. 1-6--.

Signed and Sealed this
Thirtieth Day of April, 1996

Attest:



BRUCE LEHMAN

Attesting Officer

Commissioner of Patents and Trademarks