



US00D366523S

# United States Patent [19] Eyer

[11] Patent Number: **Des. 366,523**

[45] Date of Patent: **\*\*Jan. 23, 1996**

[54] FAN 2,213,873 9/1940 Van Derschaegh ..... 416/5

[76] Inventor: **Roderick L. Eyer**, 2 Wallingford Dr.,  
Melville, N.Y. 11747

[\*\*] Term: **14 Years**

[21] Appl. No.: **37,079**

[22] Filed: **Apr. 3, 1995**

[52] U.S. Cl. .... **D23/378; D23/379**

[58] Field of Search ..... D23/378, 379,  
D23/413; D12/319, 344, 343; D21/87, 82;  
446/88; 416/244 R

### OTHER PUBLICATIONS

How To Identify War Planes—Friend Or Enemy, ©1942, p. 3, Fan (A).

*Primary Examiner*—Lisa P. Lichtenstein  
*Attorney, Agent, or Firm*—James A. Hudak

### [57] CLAIM

The ornamental design for a fan, as shown.

### DESCRIPTION

FIG. 1 is a perspective view of the fan showing my new design;

FIG. 2 is a front elevational view thereof;

FIG. 3 is a rear elevational view thereof;

FIG. 4 is a right side elevational view thereof;

FIG. 5 is a left side elevational view thereof;

FIG. 6 is a top plan view thereof; and,

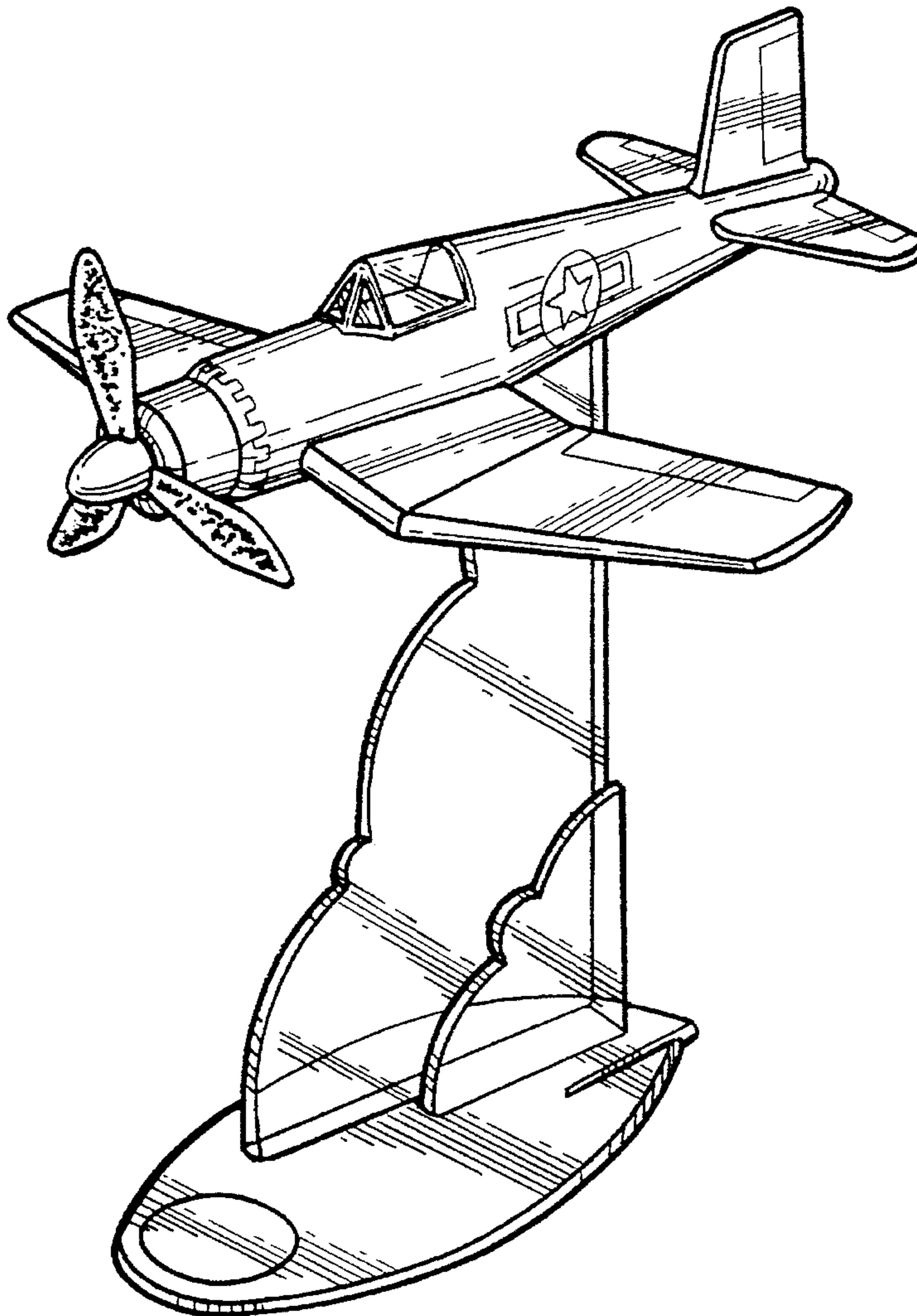
FIG. 7 is a bottom plan view thereof.

**1 Claim, 7 Drawing Sheets**

[56] **References Cited**

U.S. PATENT DOCUMENTS

D. 82,944	12/1930	Karageorge	.....	D23/379
D. 84,423	4/1931	Knight	.....	D23/379
D. 298,648	11/1988	Gill	.....	D23/379
D. 336,512	6/1993	Cunning	.....	D23/411
D. 351,822	10/1994	Simonov et al.	.....	D12/319
D. 358,432	5/1995	Harada	.....	D21/87



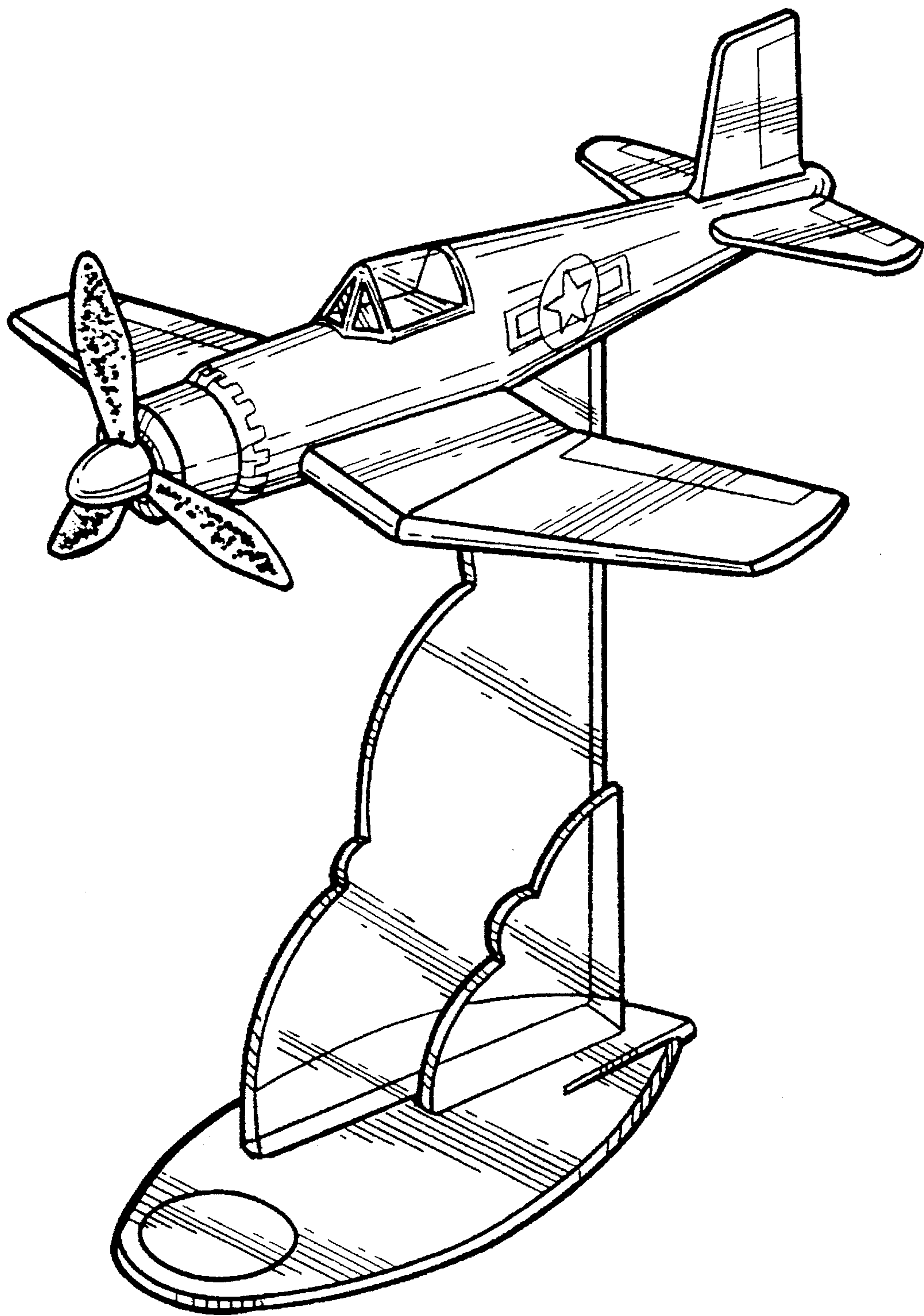


FIG. 1

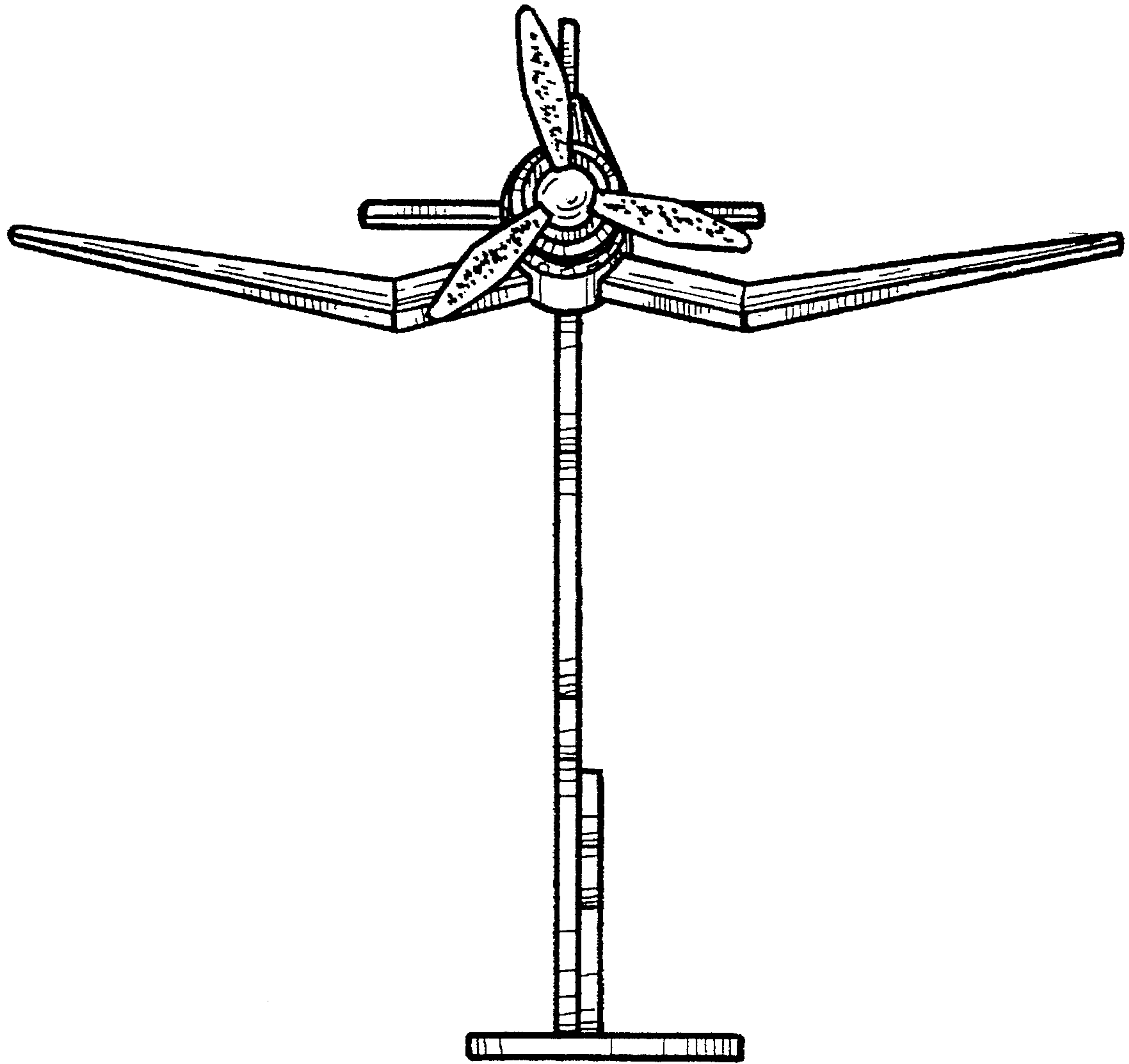


FIG. 2

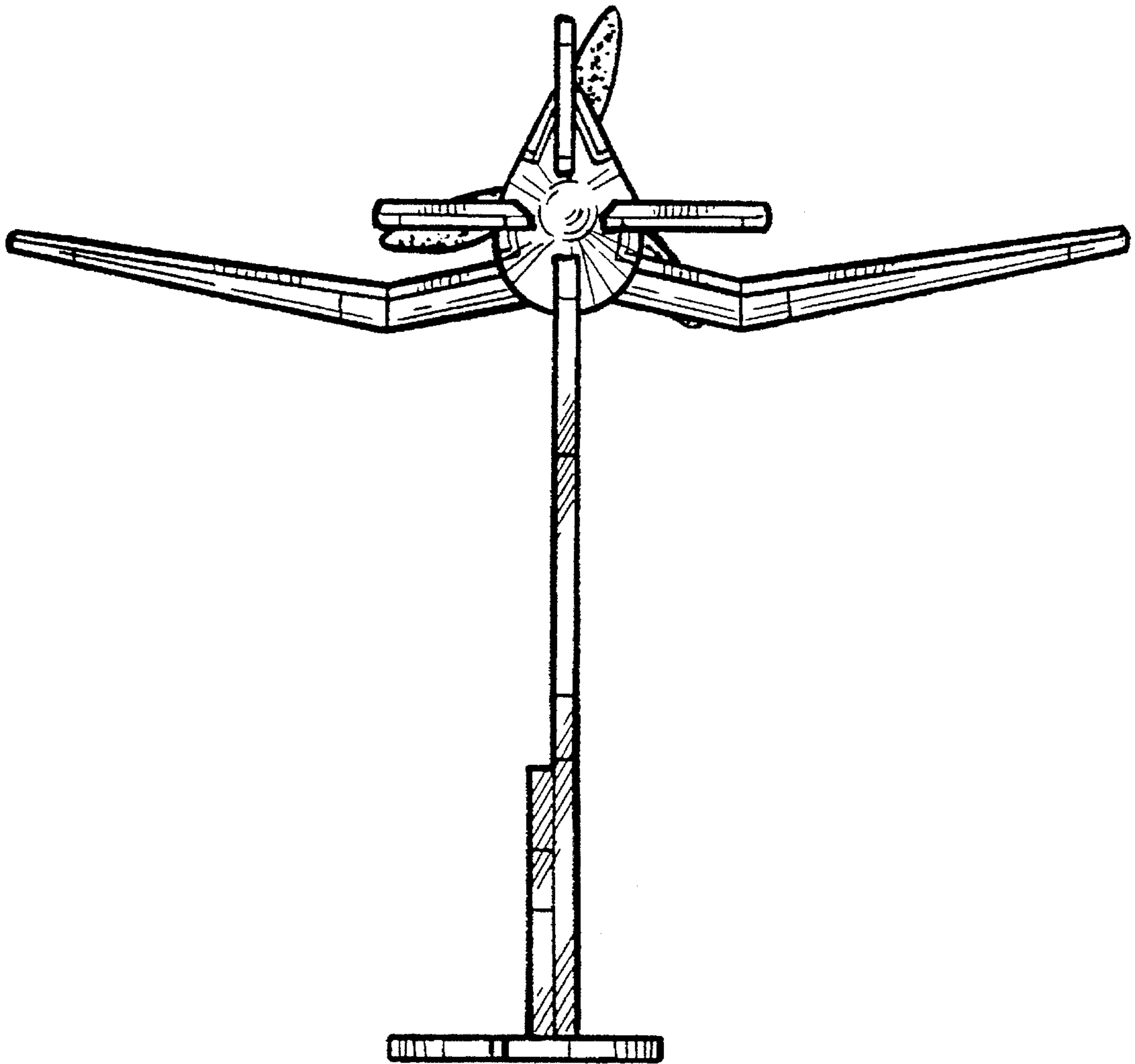


FIG. 3

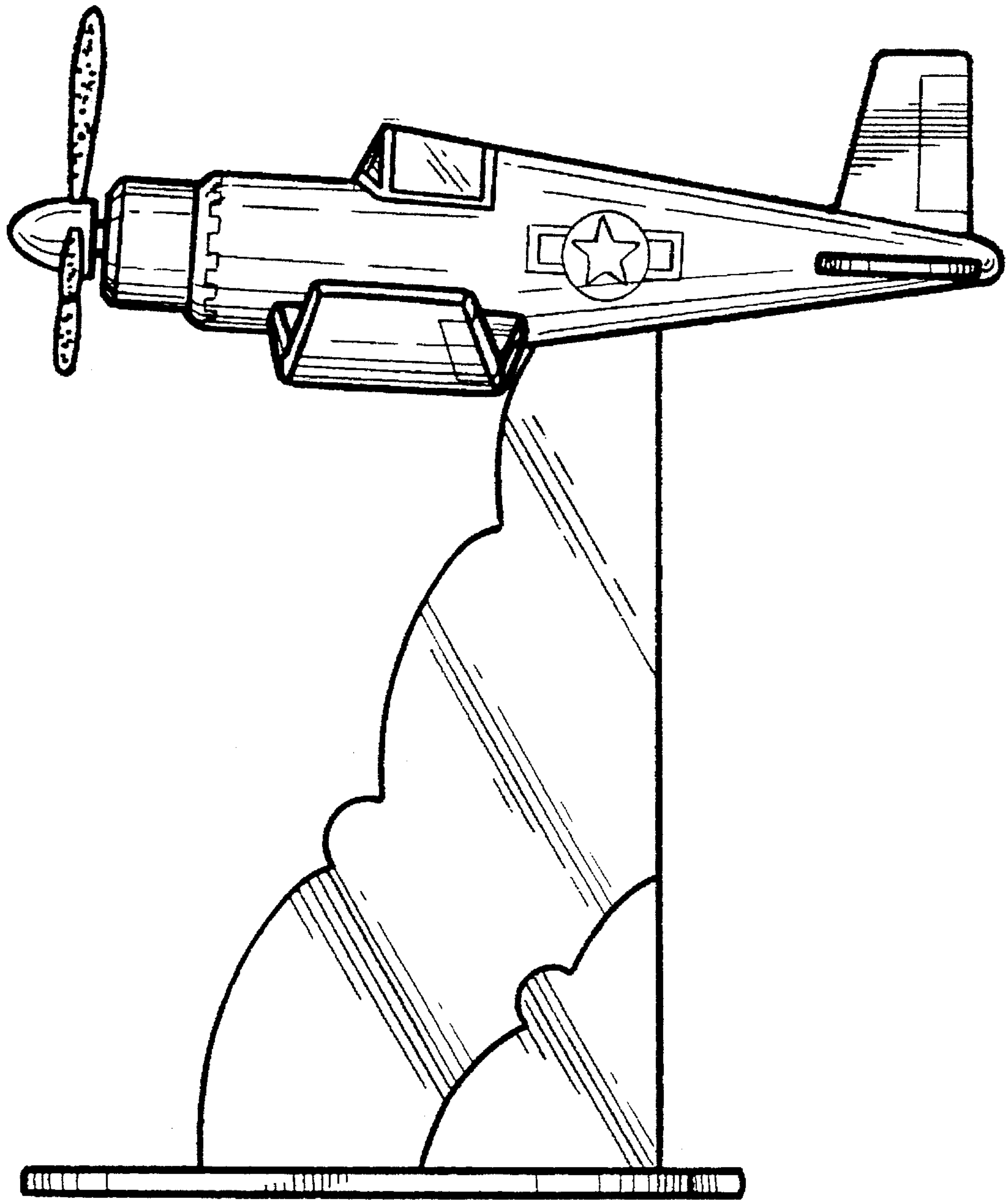


FIG. 4



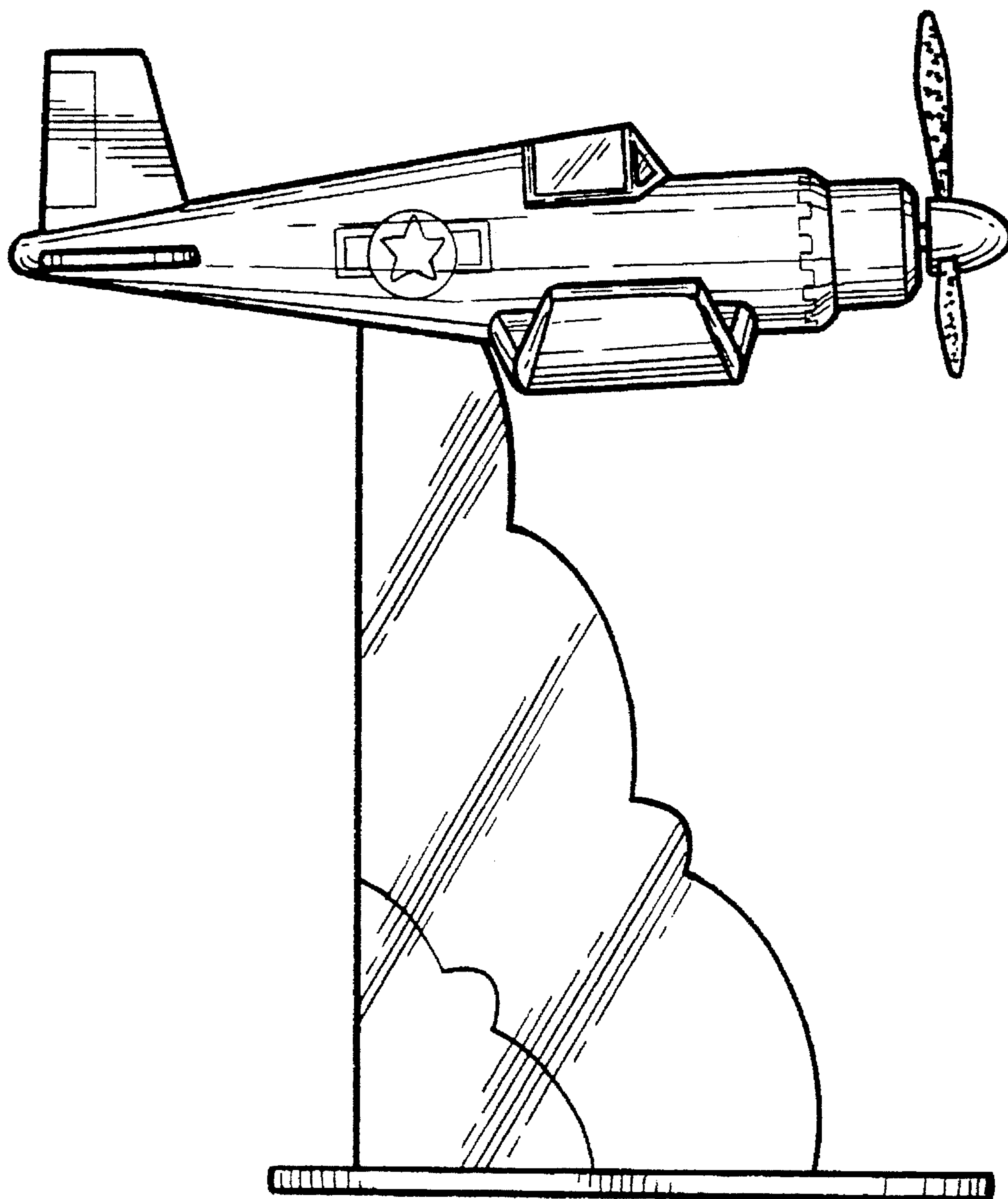


FIG. 5

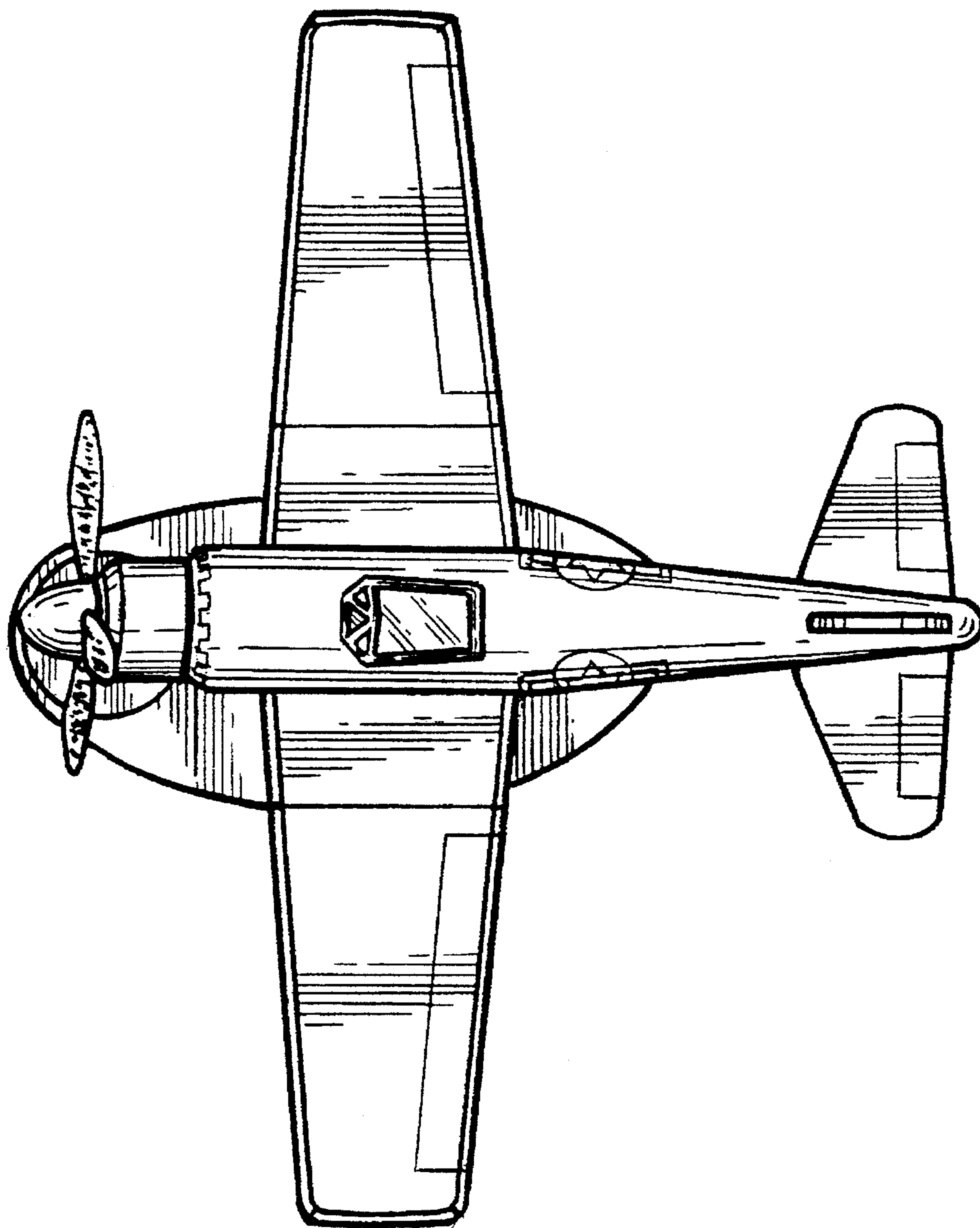


FIG. 6

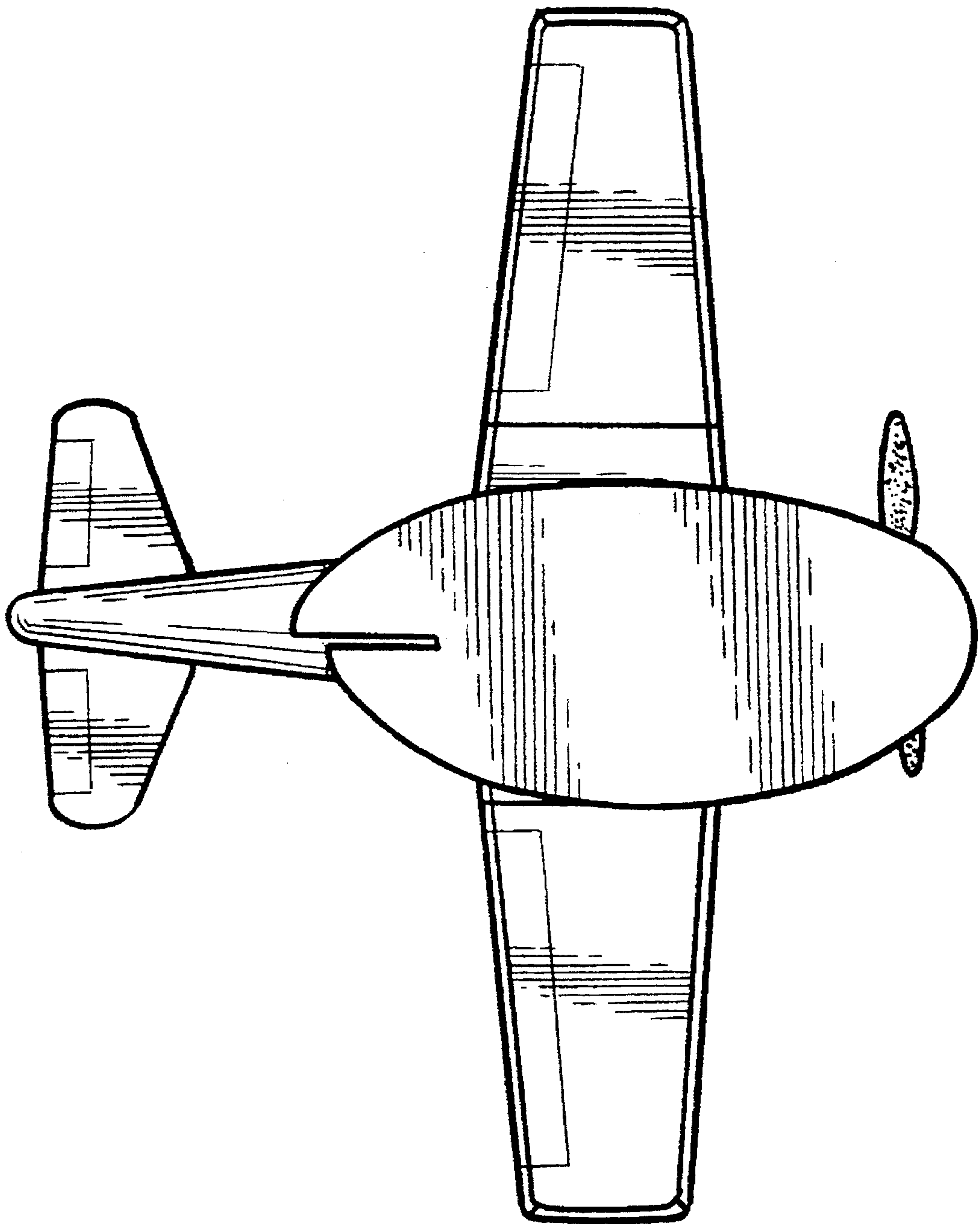


FIG. 7