



US00D366522S

United States Patent [19]

Lagace et al.

[11] Patent Number: Des. 366,522

[45] Date of Patent: **Jan. 23, 1996

[54] VENTILATOR HOUSING

95337 4/1991 Japan 454/188
885732 11/1981 U.S.S.R. .

[75] Inventors: **Frederic Lagace; Jean-Francois Grondin**, both of Drummondville; **Pierre Cusson**, St-Germain de Grantham; **Michel Julien**, St-Nicéphore; **Daniel Marcoux**, Drummondville, all of Canada

OTHER PUBLICATIONS

Buckeye Furnace Pipe Co. Cat., p. 27, Draft Diverter (A) middle right side of page.

Primary Examiner—Lisa P. Lichtenstein
Attorney, Agent, or Firm—Ronald S. Kosie; Robert Brouillette

[73] Assignee: **Venmar Ventilation Inc.**, Drummondville, Canada

[**] Term: **14 Years**

[57] CLAIM

The ornamental design for a ventilator housing, as shown.

[21] Appl. No.: **33,443**

DESCRIPTION

[22] Filed: **Jan. 13, 1995**

[52] U.S. Cl. **D23/370**

[58] Field of Search D23/370; 454/345; 285/424, 132

FIG. 1 is a perspective view of the ventilator housing; FIG. 2 is a front view of the ventilator housing of FIG. 1; FIG. 3 is a right elevation view of the ventilator housing of FIG. 1; FIG. 4 is a left elevation view of the ventilator housing of FIG. 1; FIG. 5 is a top view of the ventilator housing of FIG. 1; FIG. 6 is a back view of the ventilator housing of FIG. 1; and, FIG. 7 is a bottom view of the ventilator housing of FIG. 1.

[56] References Cited

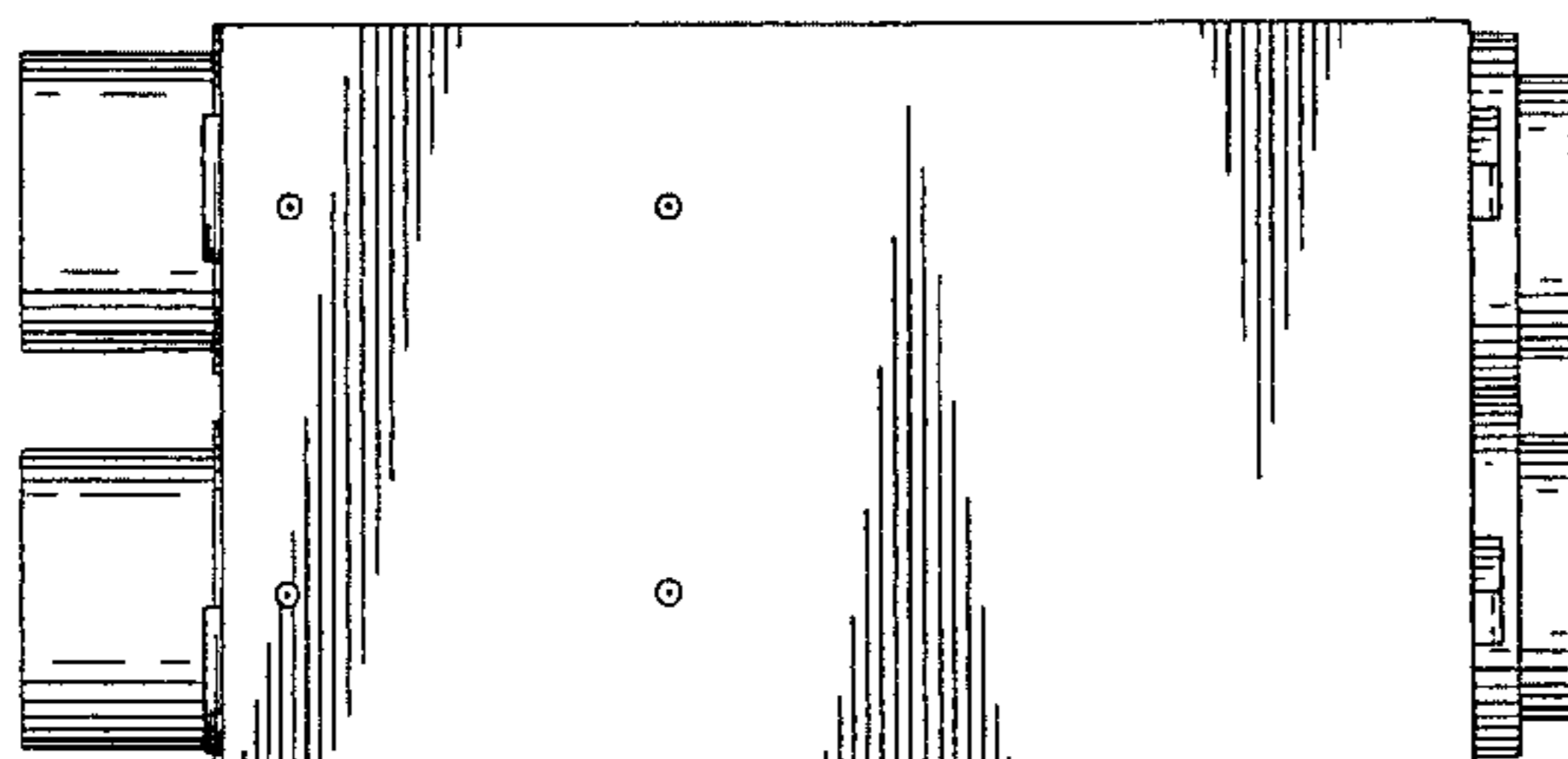
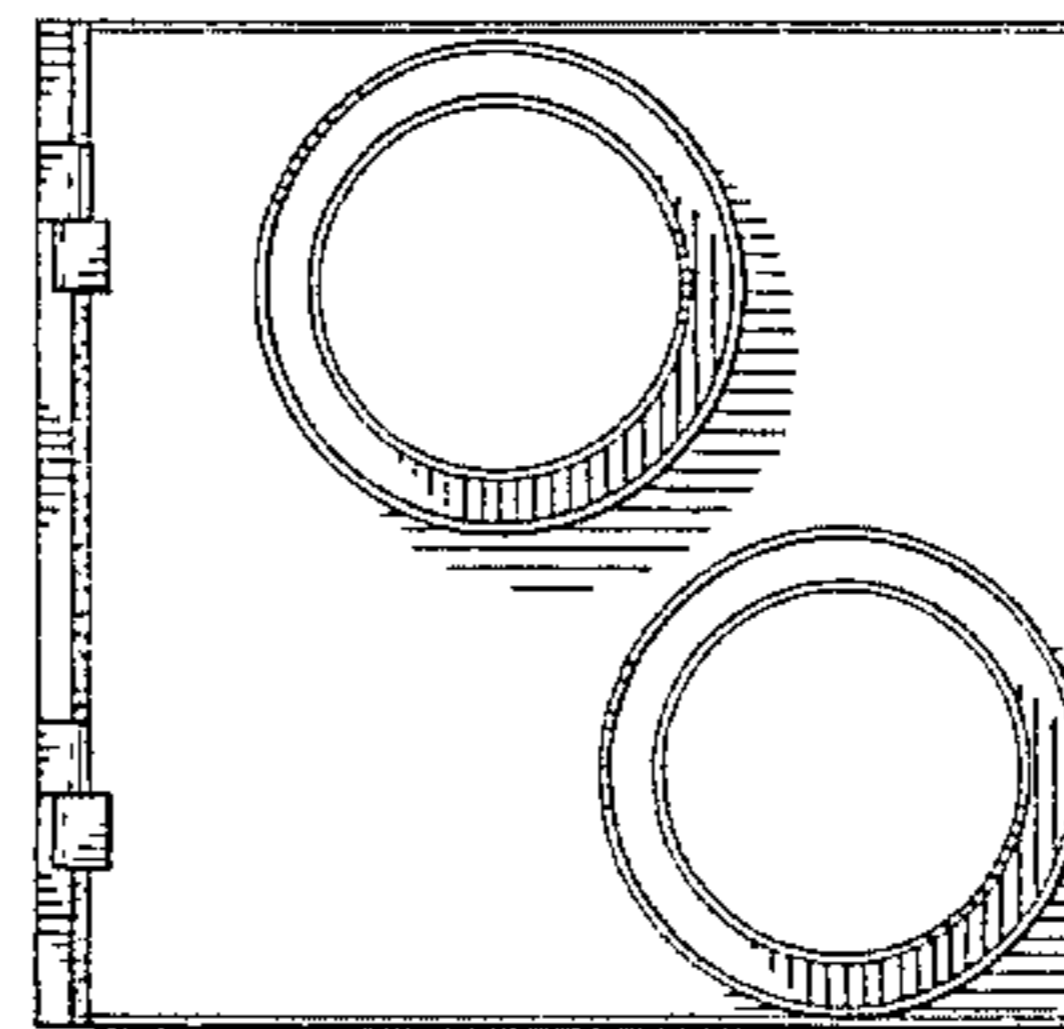
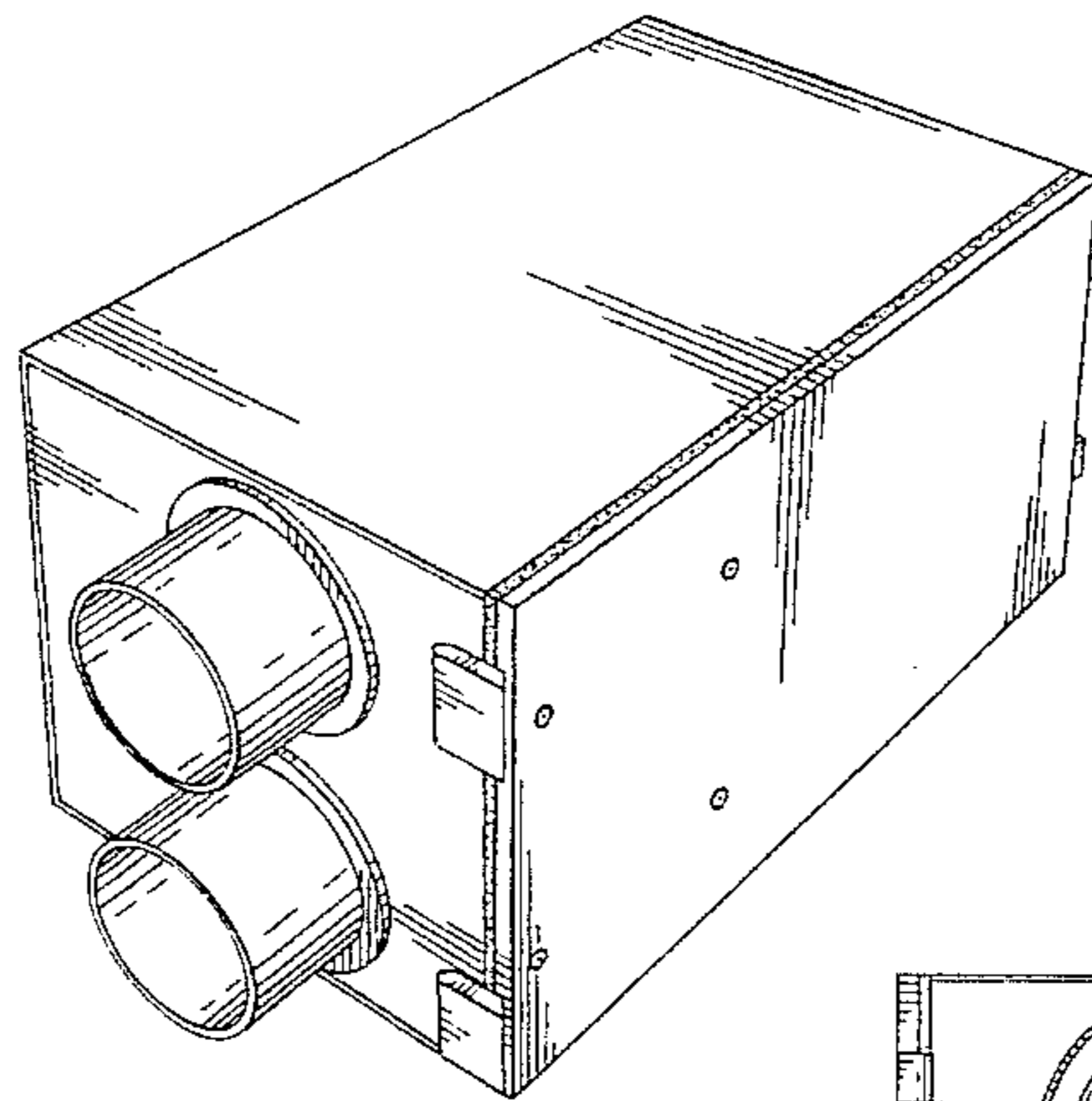
U.S. PATENT DOCUMENTS

D. 286,565 11/1986 Drucker et al. .
D. 340,109 10/1993 Julien D23/370
5,072,719 12/1991 Burger et al. D23/370

FOREIGN PATENT DOCUMENTS

2331754 6/1977 France 454/345

1 Claim, 3 Drawing Sheets



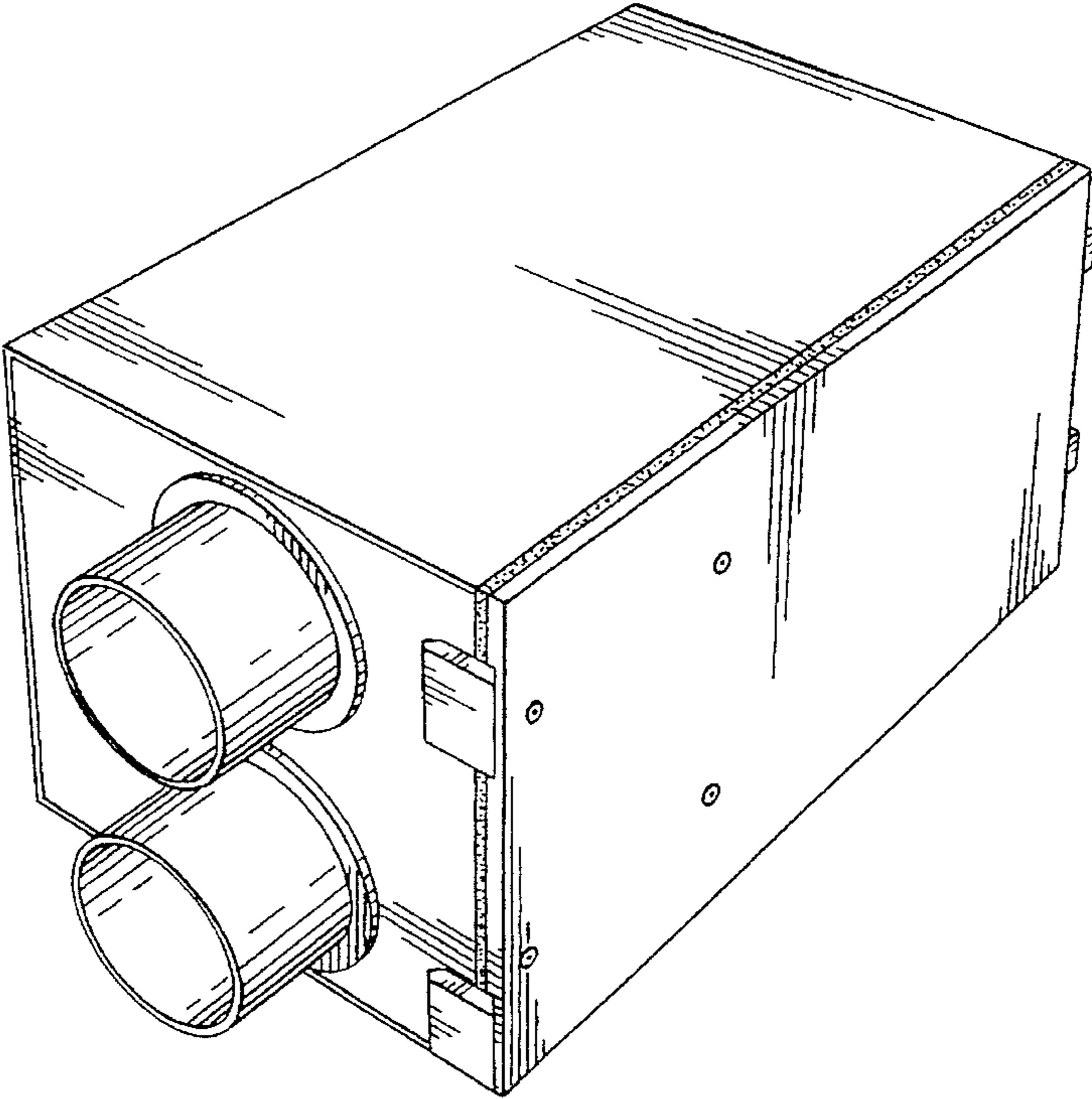


FIG. 1

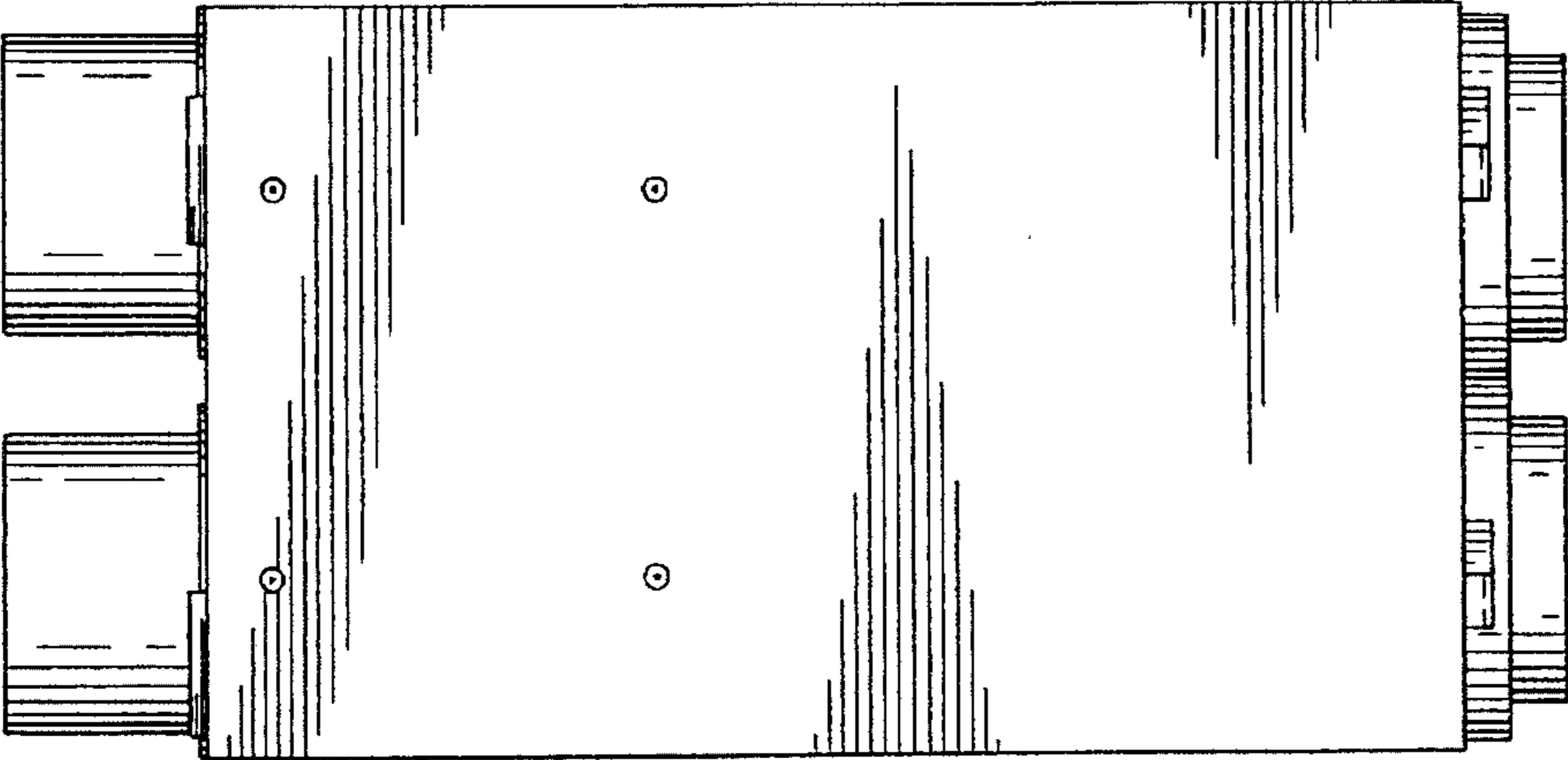


FIG. 2

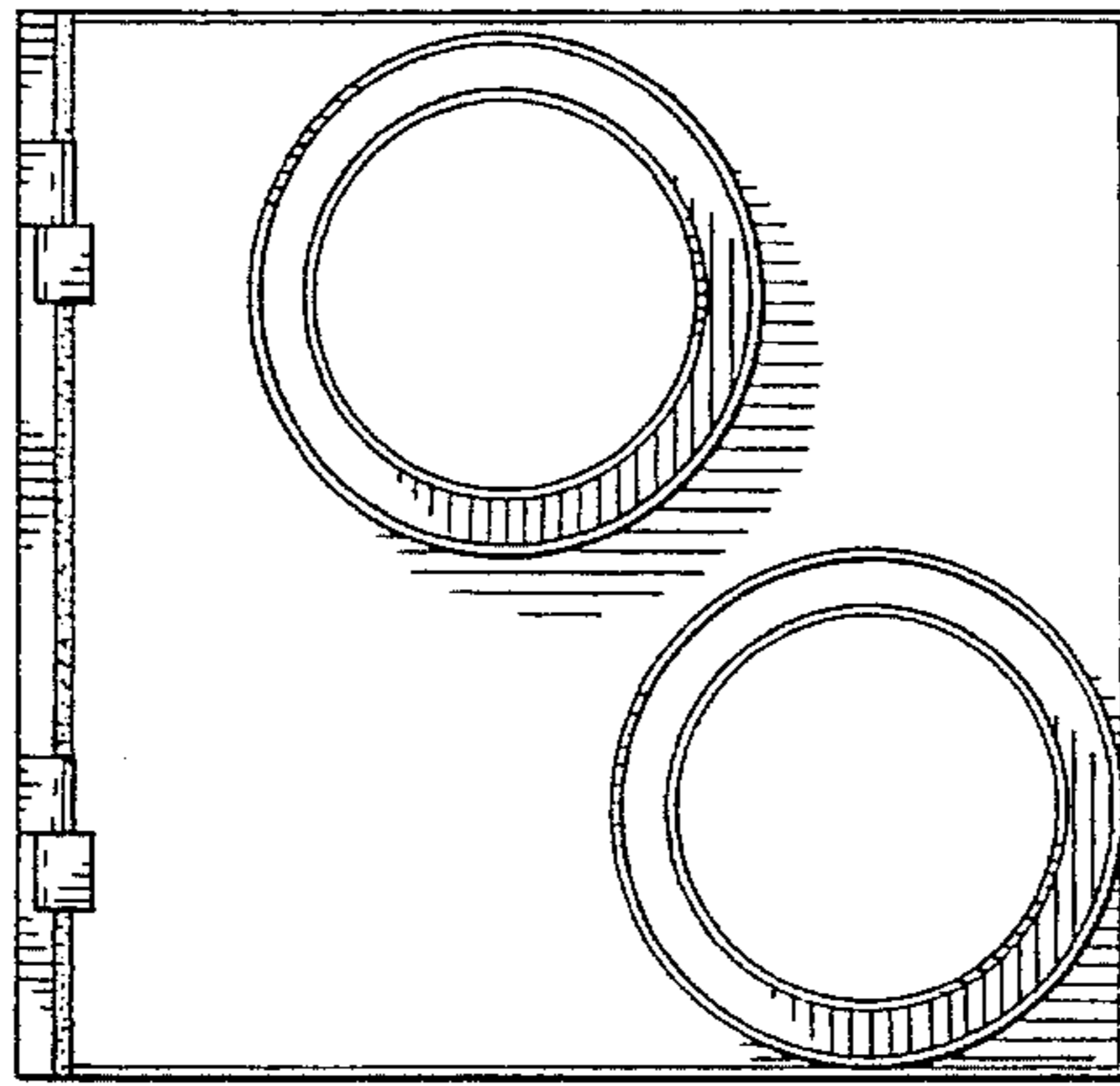


FIG. 3

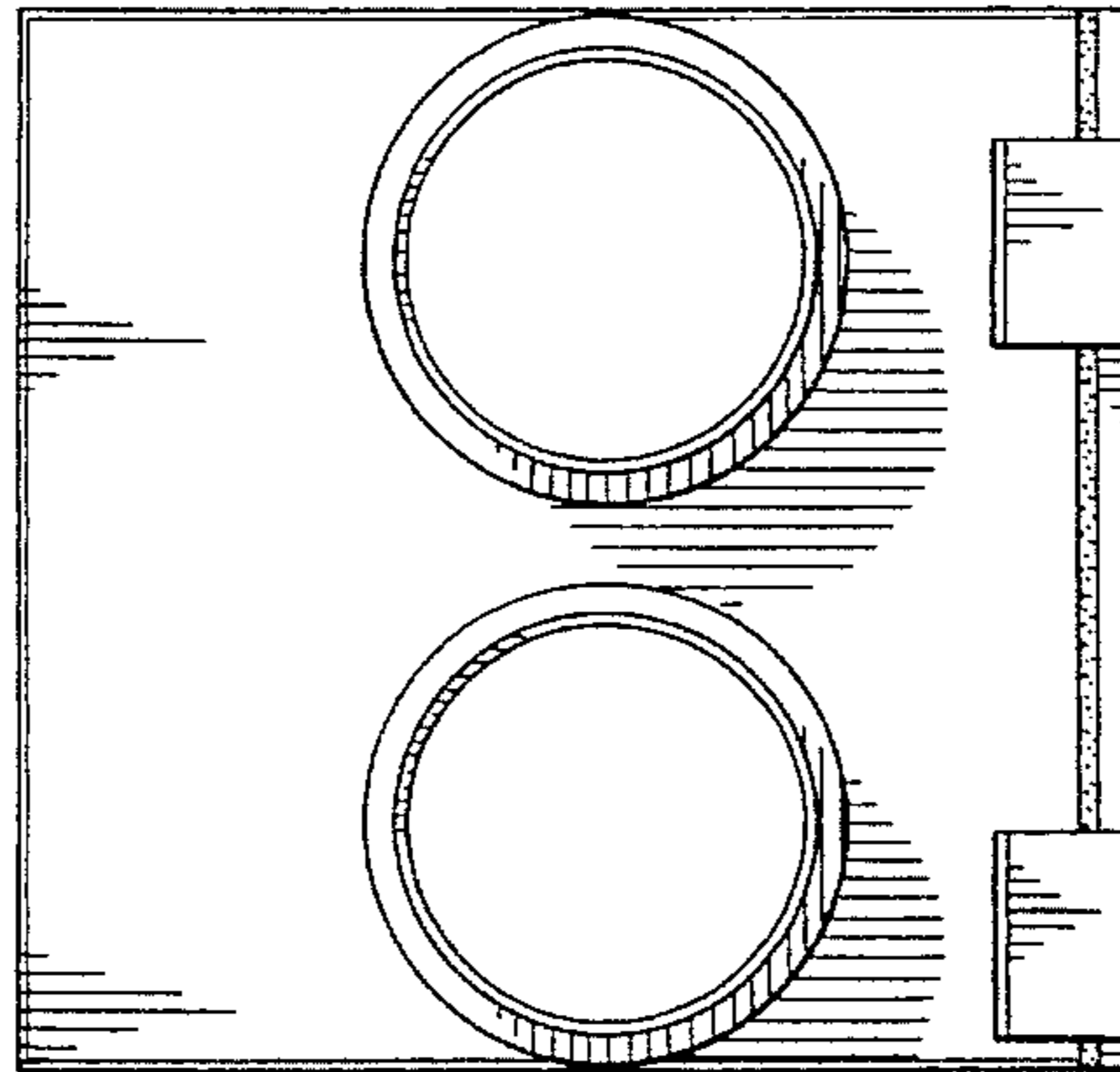


FIG. 4

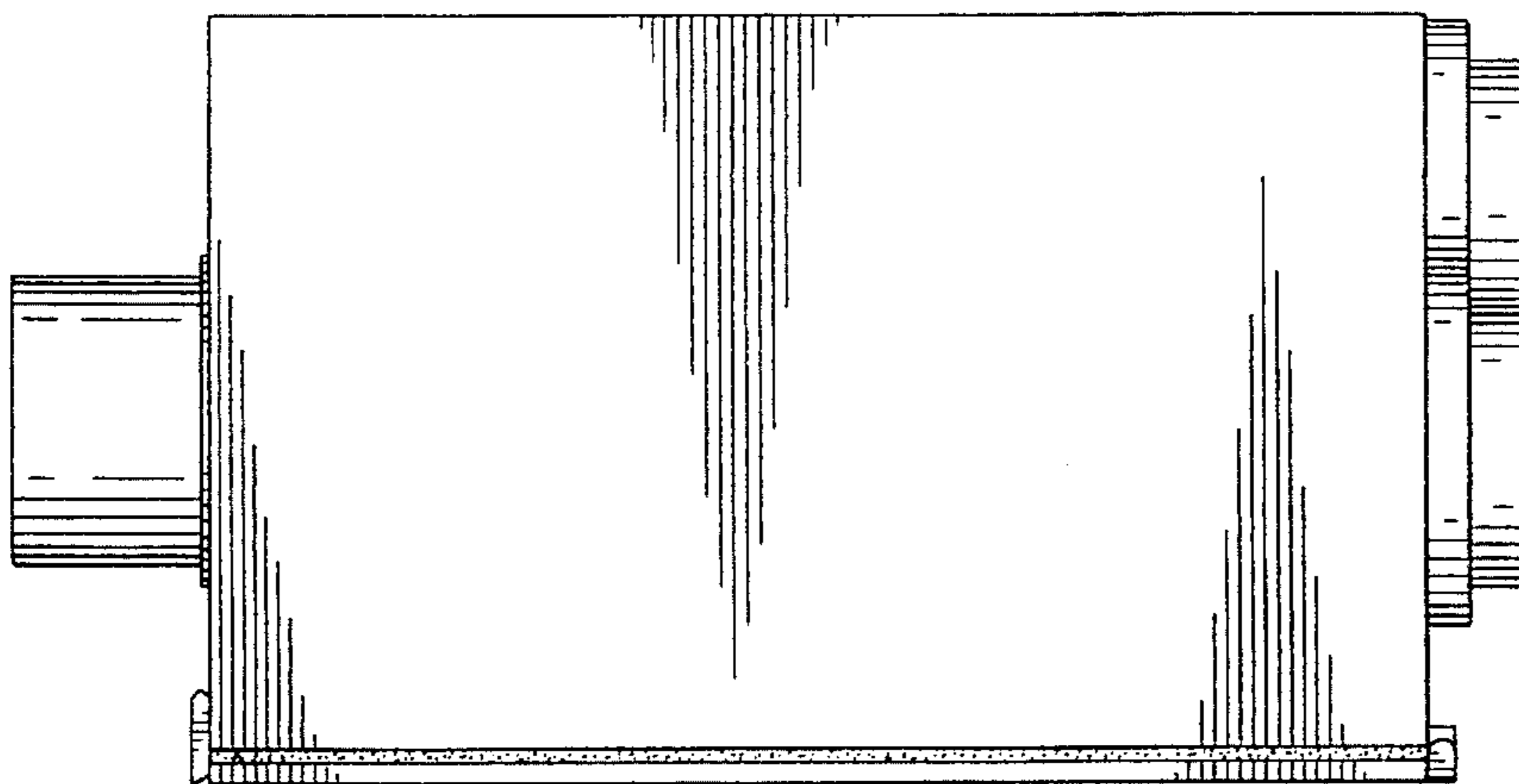


FIG. 5

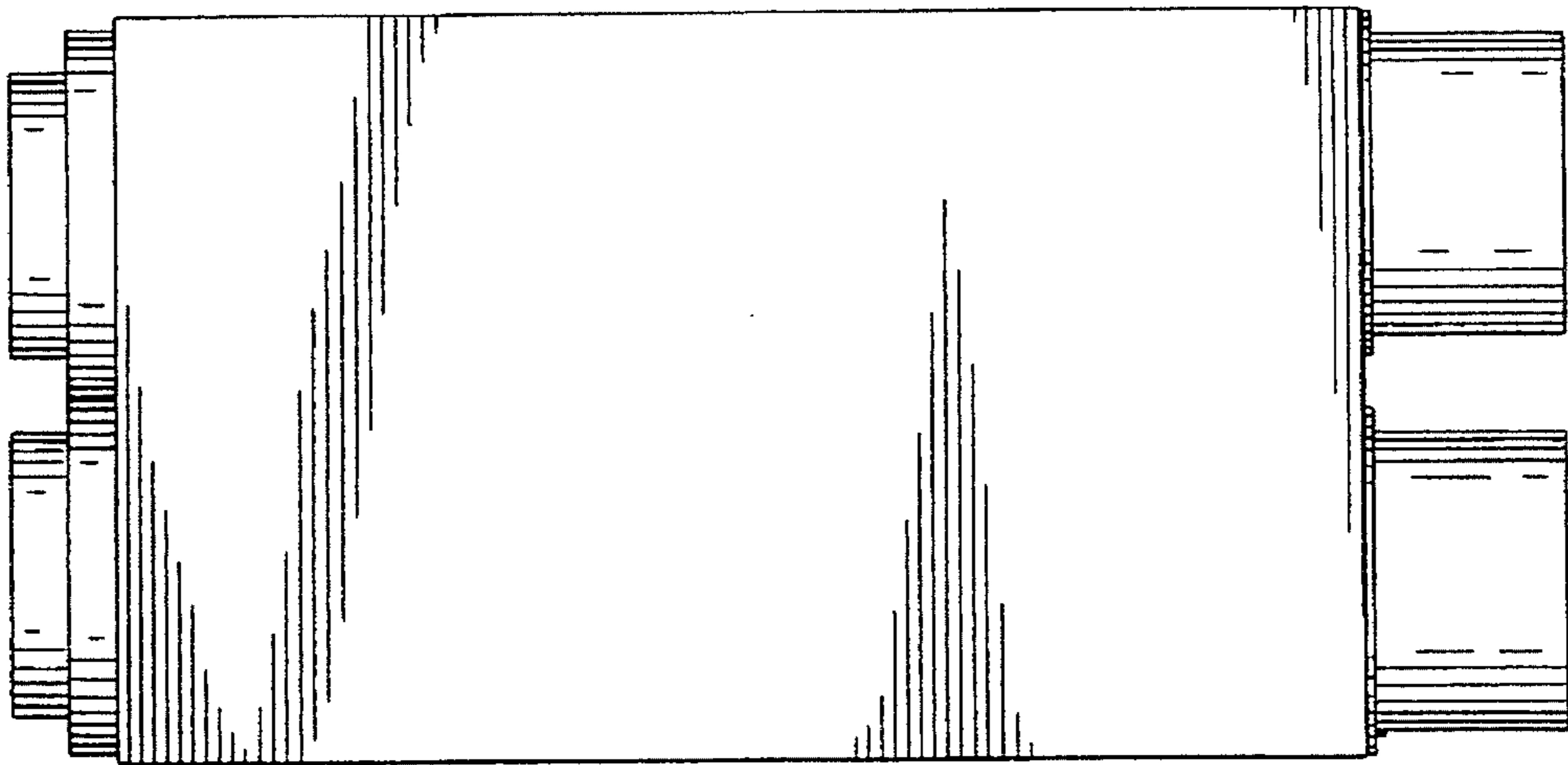


FIG. 6

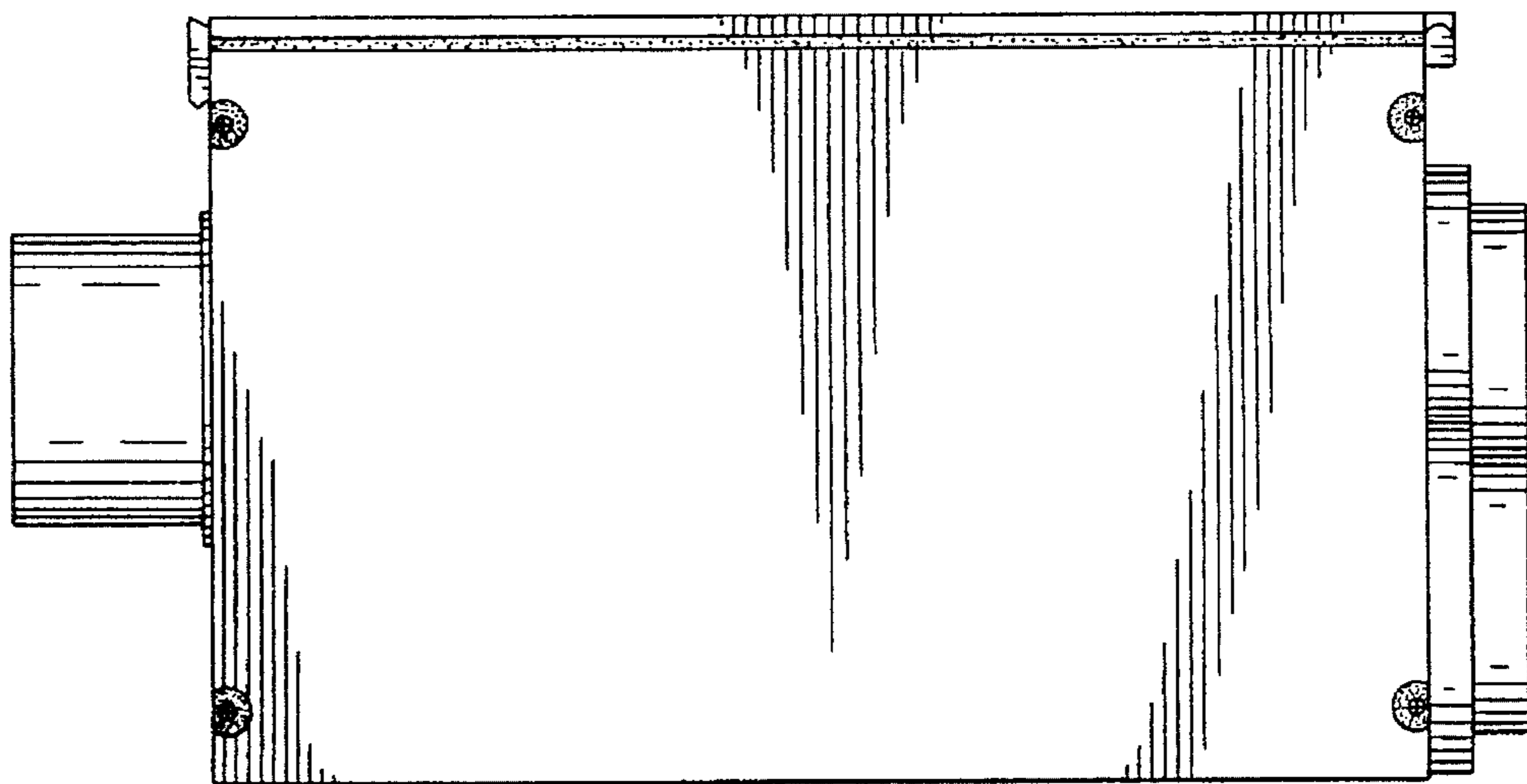


FIG. 7