



US00D366520S

United States Patent [19]

Muderlak

[11] Patent Number: **Des. 366,520**

[45] Date of Patent: ****Jan. 23, 1996**

[54] **DRIP DISPENSER FOR FRAGRANCE AND ANTI-BACTERIAL FLUIDS**

[75] Inventor: **Kenneth J. Muderlak**, Shorewood, Wis.

[73] Assignee: **Technical Concepts L.P.**, Elk Grove Village, Ill.

[**] Term: **14 Years**

[21] Appl. No.: **13,655**

[22] Filed: **Oct. 4, 1993**

[52] U.S. Cl. **D23/366**

[58] **Field of Search** D23/366-369, D23/364; 261/DIG. 65; 222/645-648, 183; 239/55, 56, 57, 58, 51.5; 422/123, 125, 28, 305, 124; 392/390, 392

[56] **References Cited**

U.S. PATENT DOCUMENTS

D. 338,522 8/1993 Muderlak D23/366

Primary Examiner—Lisa P. Lichtenstein
Attorney, Agent, or Firm—Welsh & Katz, Ltd.

[57] **CLAIM**

The ornamental design for a drip dispenser for fragrance and anti-bacterial fluids, as shown and described.

DESCRIPTION

FIG. 1 is a perspective view of the drip dispenser for fragrance and anti-bacterial fluids of my new design;

FIG. 2 is a left side view thereof;

FIG. 3 is a front view thereof;

FIG. 4 is a right side view thereof;

FIG. 5 is a rear view thereof;

FIG. 6 is a top end plan view thereof; and,

FIG. 7 is a bottom end plan view thereof.

The broken line showing of environmental structure in FIGS. 5 and 6 is for illustrative purposes only and forms no part of the claimed design.

1 Claim, 4 Drawing Sheets

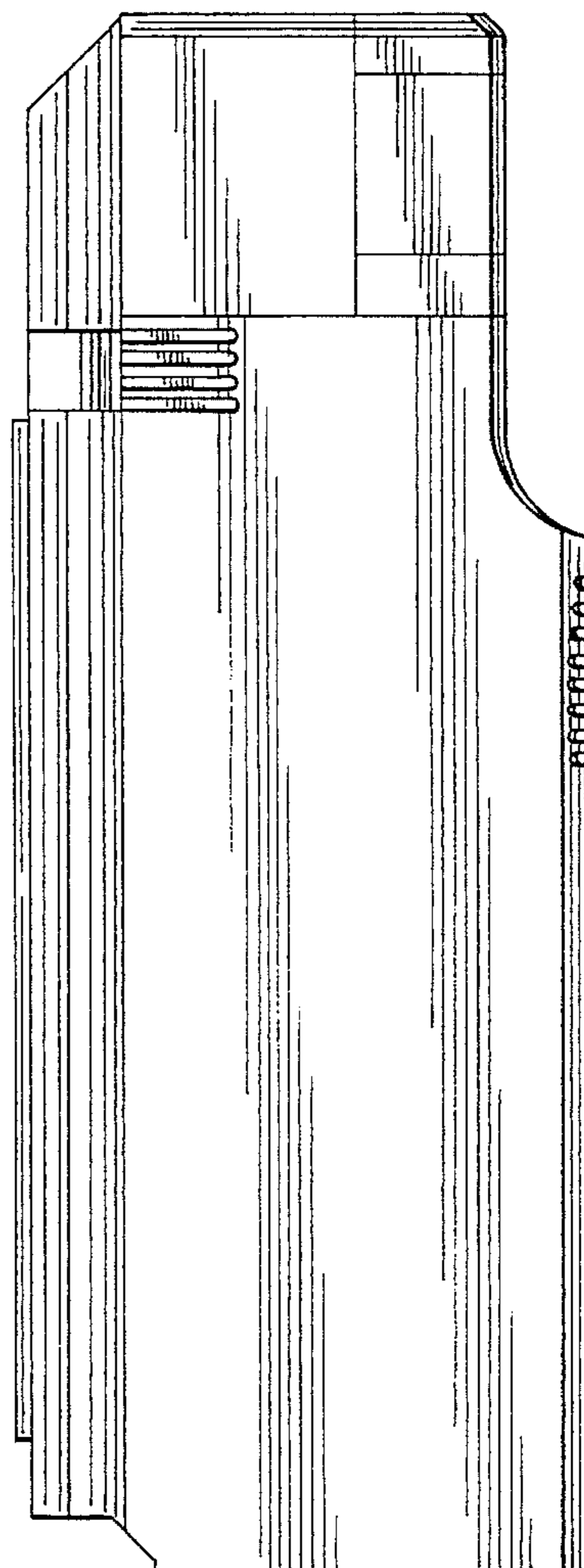
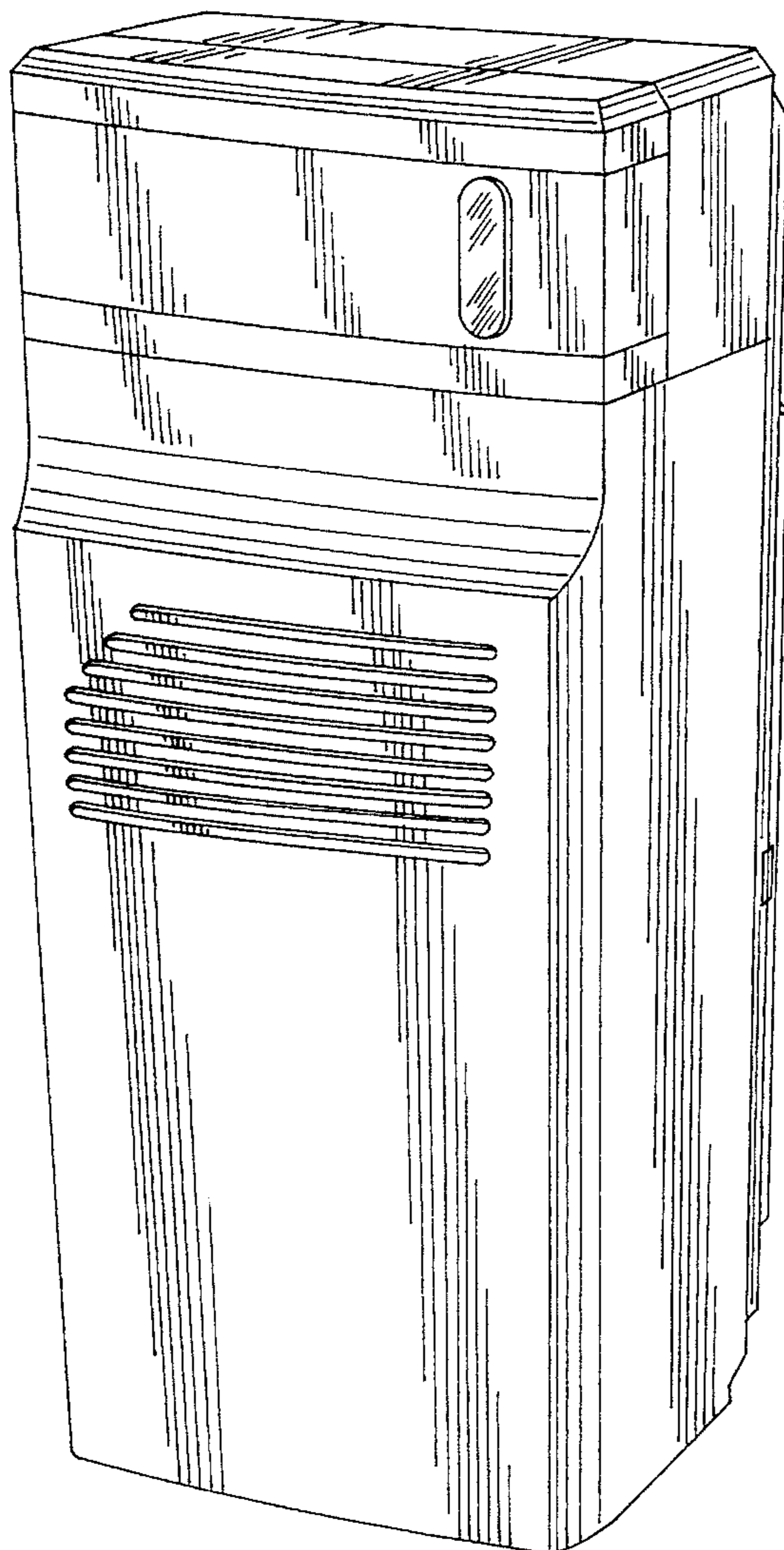


FIG. 1

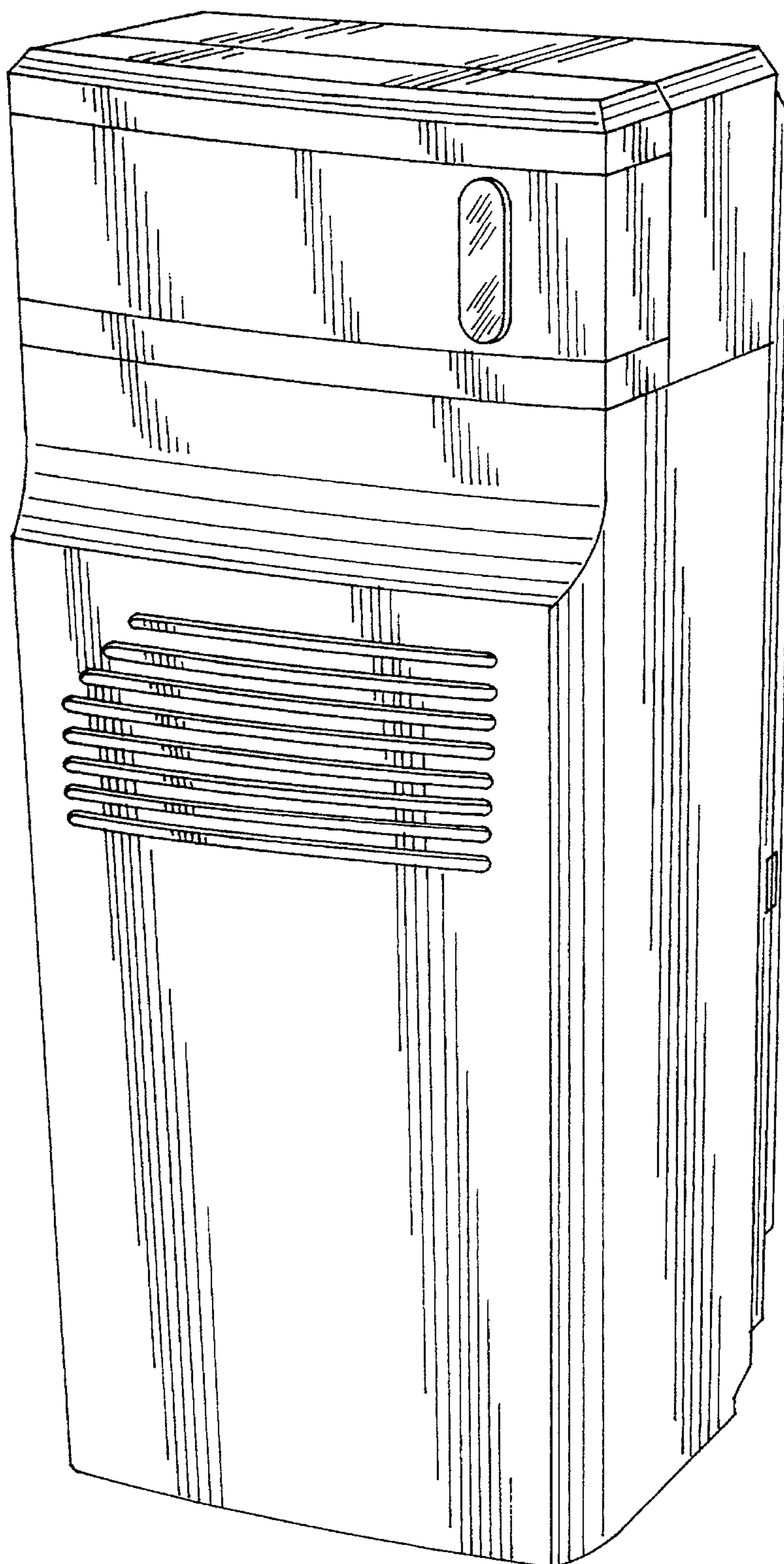


FIG. 2

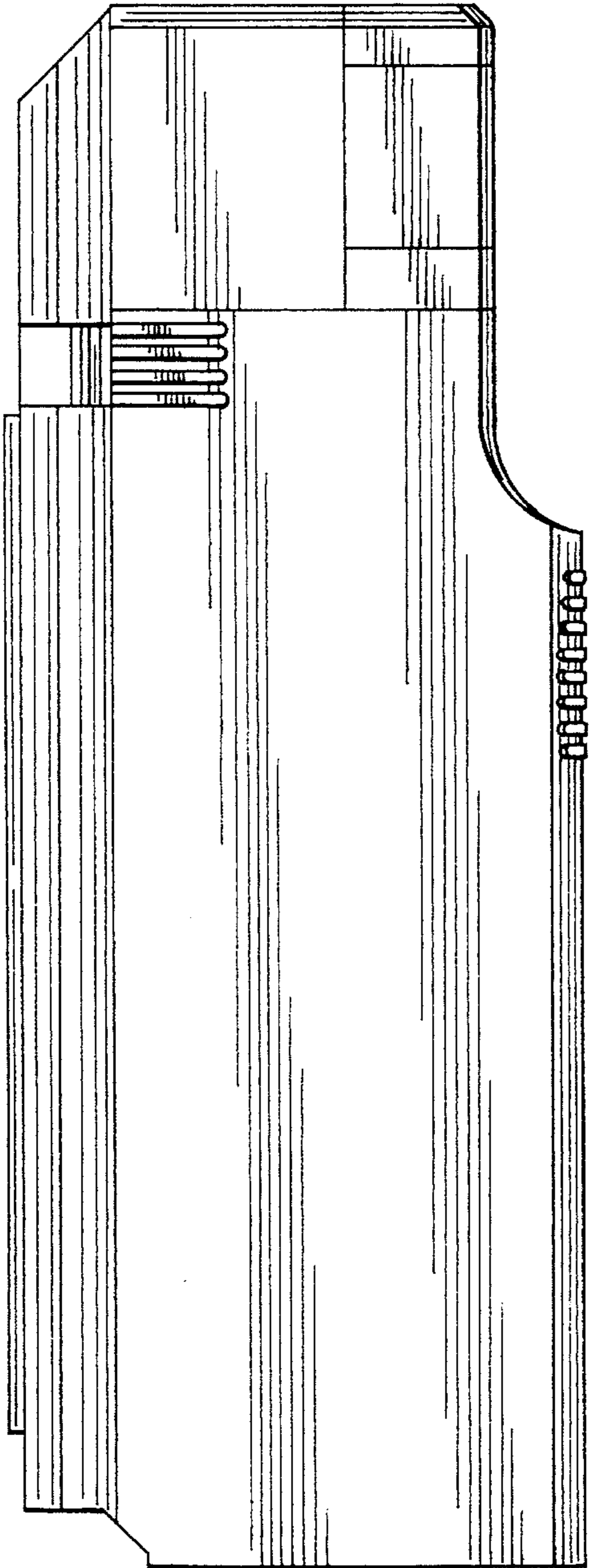


FIG. 3

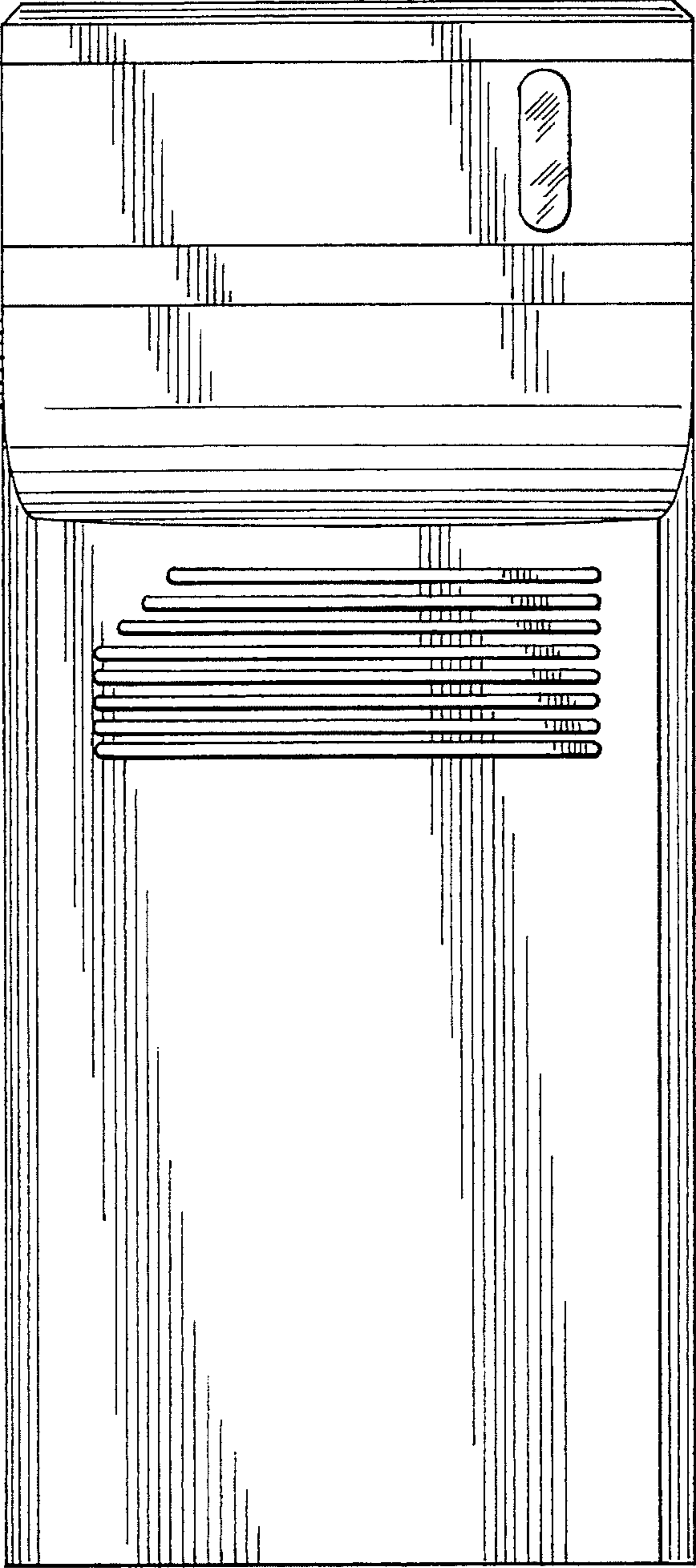


FIG. 4

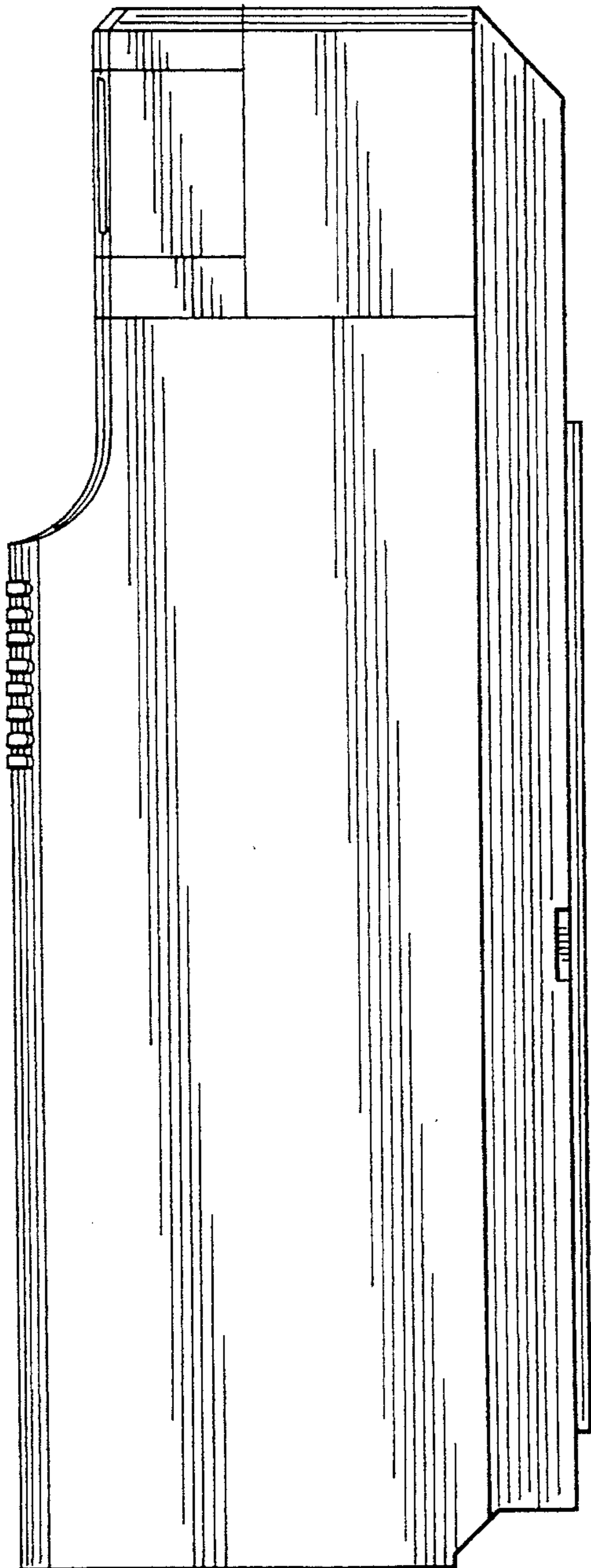


FIG. 5

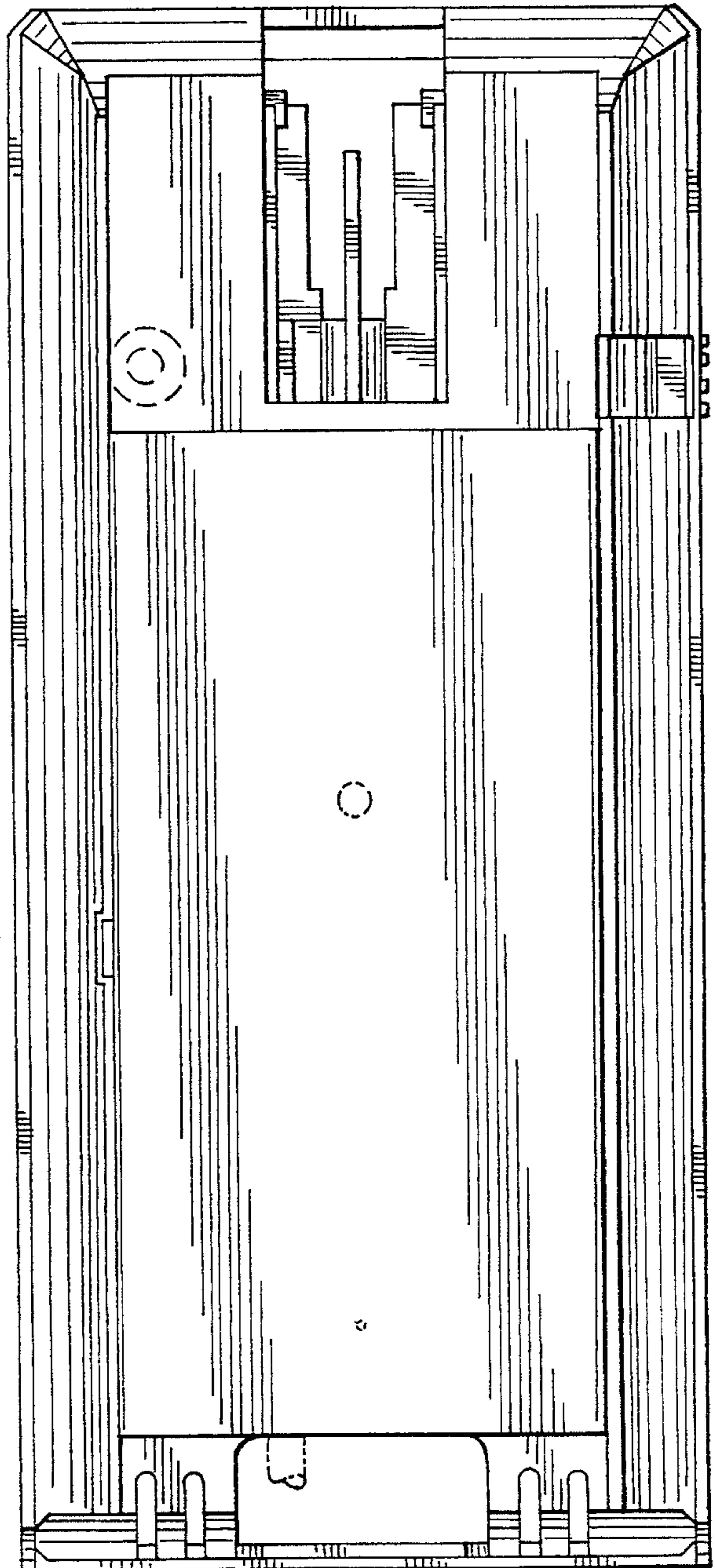


FIG. 6

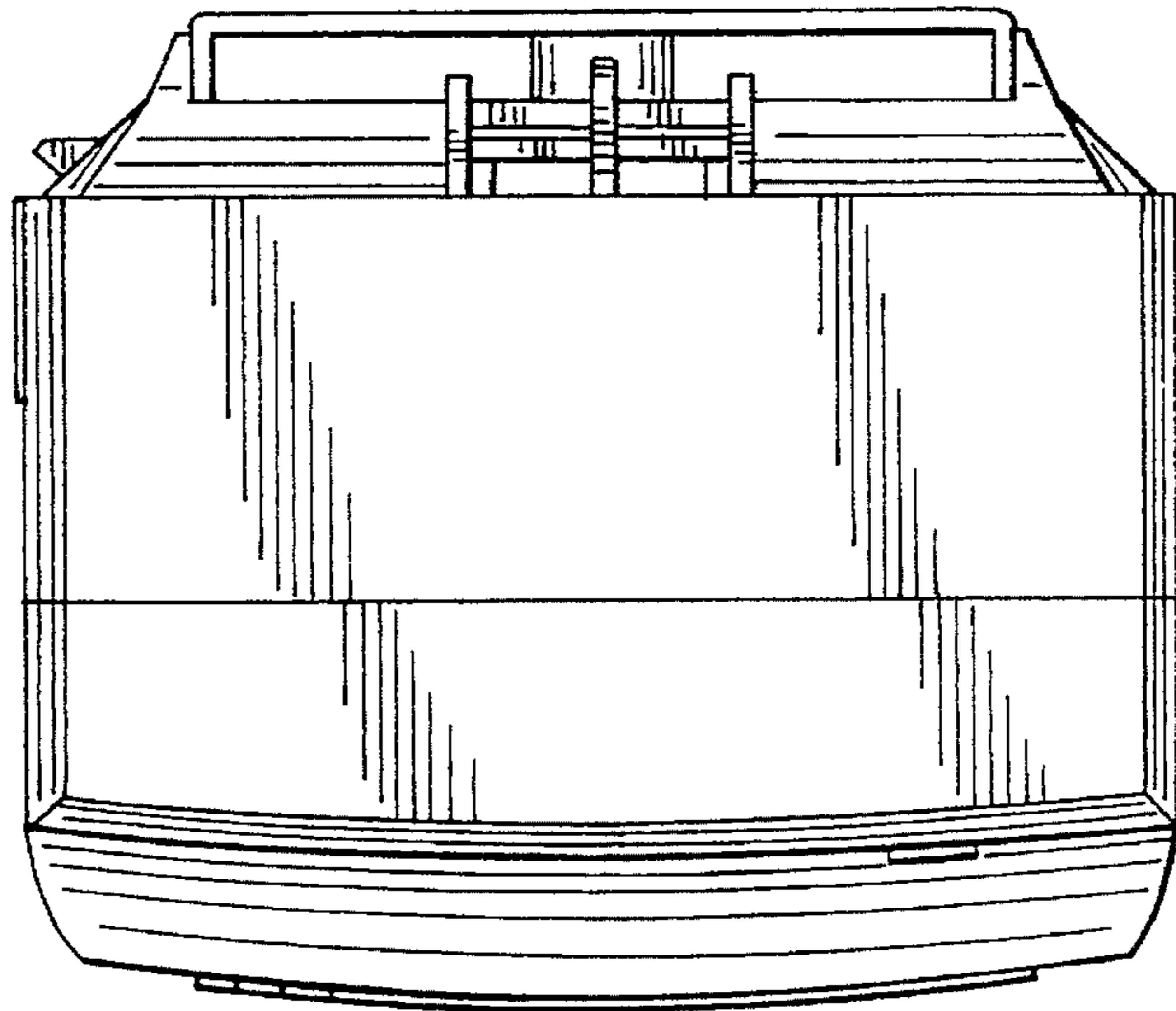


FIG. 7

