



US00D366519S

# United States Patent [19] Lobermeier

[11] Patent Number: **Des. 366,519**

[45] Date of Patent: **\*\*Jan. 23, 1996**

[54] FAUCET HANDLE  
[75] Inventor: **Hans Lobermeier**, Menden, Germany  
[73] Assignee: **Friedrich Grohe Aktiengesellschaft**,  
Hemer, Germany  
[\*\*] Term: **14 Years**

D. 219,861 2/1971 Coffman ..... D8/308  
D. 324,725 3/1992 Lans et al. .... D23/252  
D. 326,139 5/1992 Ragowot ..... D23/252  
D. 327,533 6/1992 Caywood ..... D8/307 X

*Primary Examiner*—Stella Reid  
*Assistant Examiner*—Eric Watterson  
*Attorney, Agent, or Firm*—Herbert Dubno

[21] Appl. No.: **36,879**  
[22] Filed: **Mar. 29, 1995**

[57] **CLAIM**

The ornamental design for a faucet handle, as shown and described.

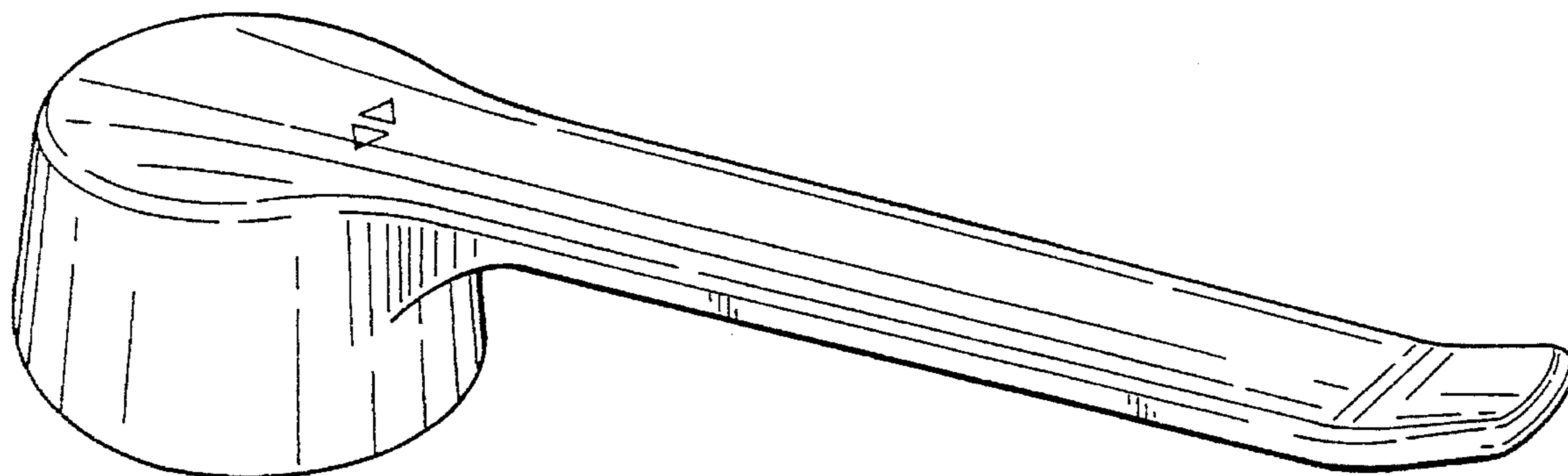
[30] **Foreign Application Priority Data**  
Oct. 31, 1994 [DE] Germany ..... 94 08 477.7  
[52] **U.S. Cl.** ..... **D23/252**  
[58] **Field of Search** ..... D23/238–243,  
D23/250–254; D8/300, 307–312; 4/191,  
192; 16/116, 121

**DESCRIPTION**

FIG. 1 is a top, front, left-side perspective view of a faucet handle showing my new design;  
FIG. 2 is a rear view thereof;  
FIG. 3 is a front view thereof;  
FIG. 4 is a top view thereof;  
FIG. 5 is a left side elevational view thereof, the right side view being mirror symmetrical thereto; and,  
FIG. 6 is a bottom view thereof.

[56] **References Cited**  
**U.S. PATENT DOCUMENTS**  
D. 187,909 5/1960 Gowas ..... D8/308

**1 Claim, 2 Drawing Sheets**



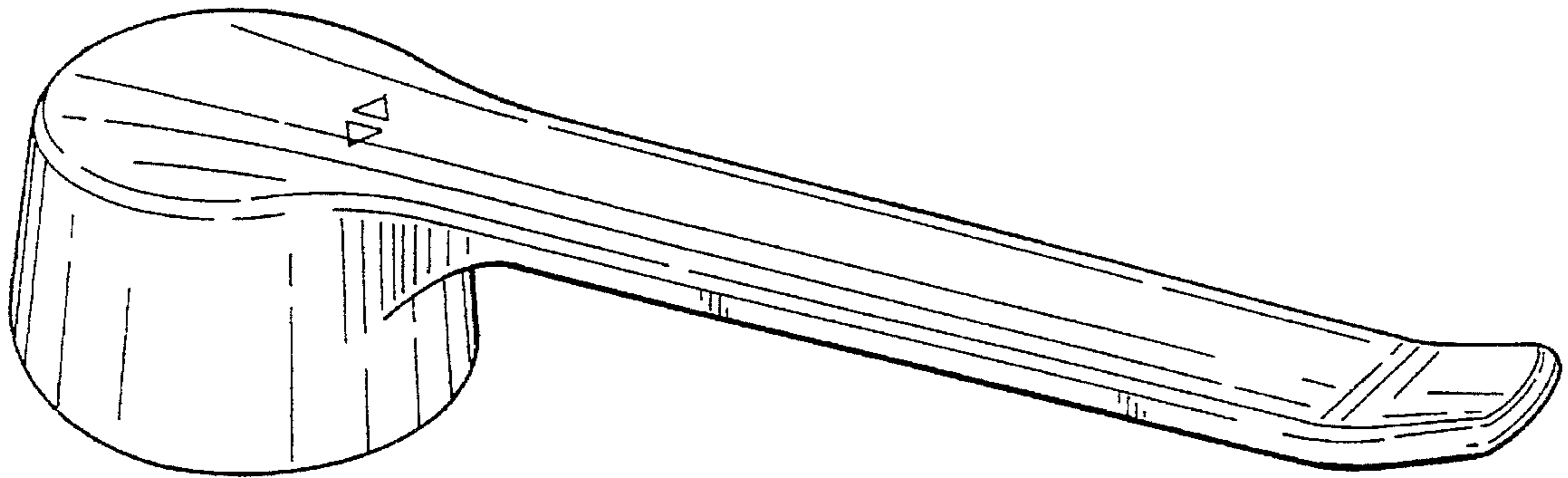


FIG. 1

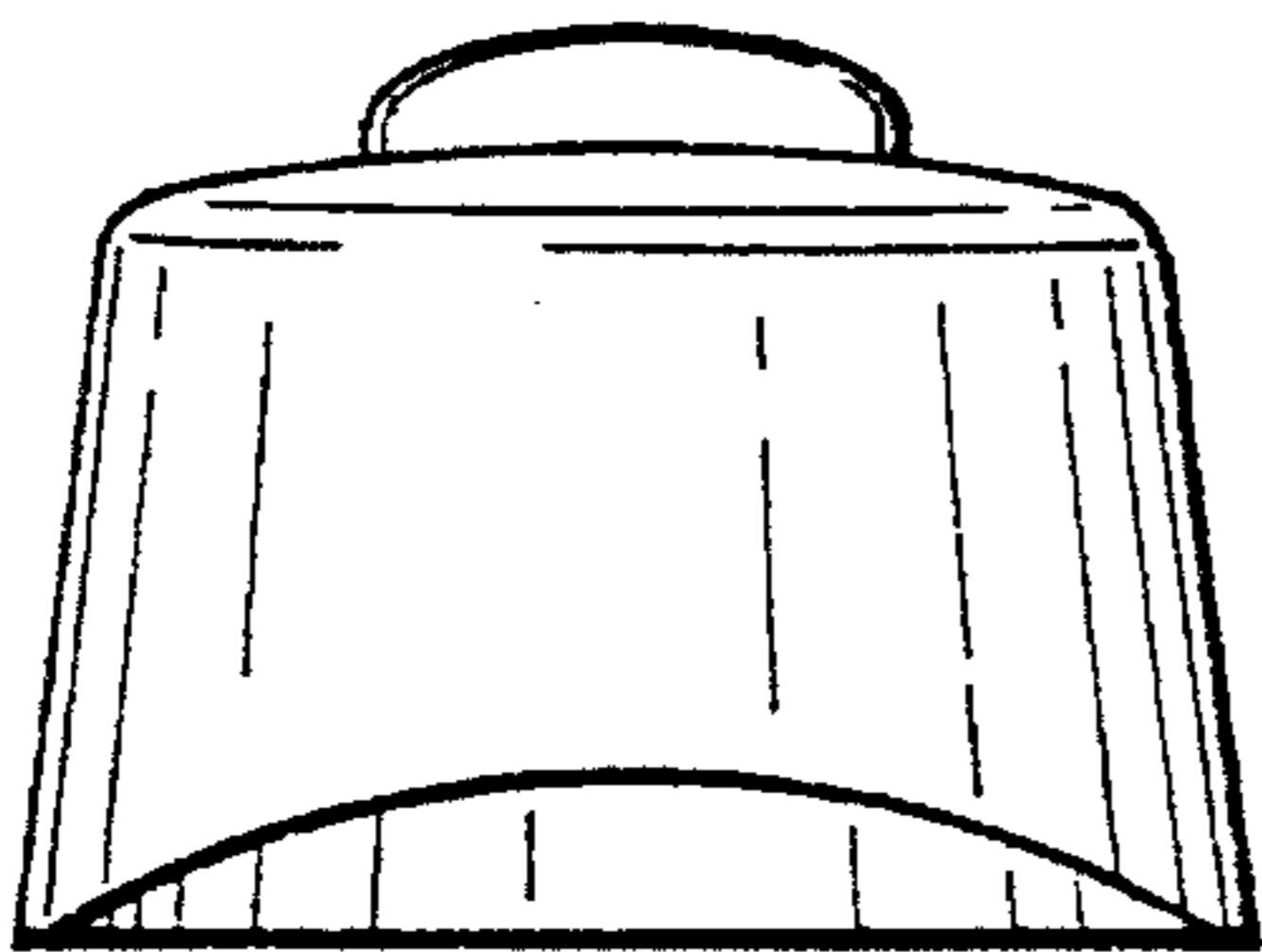


FIG. 2

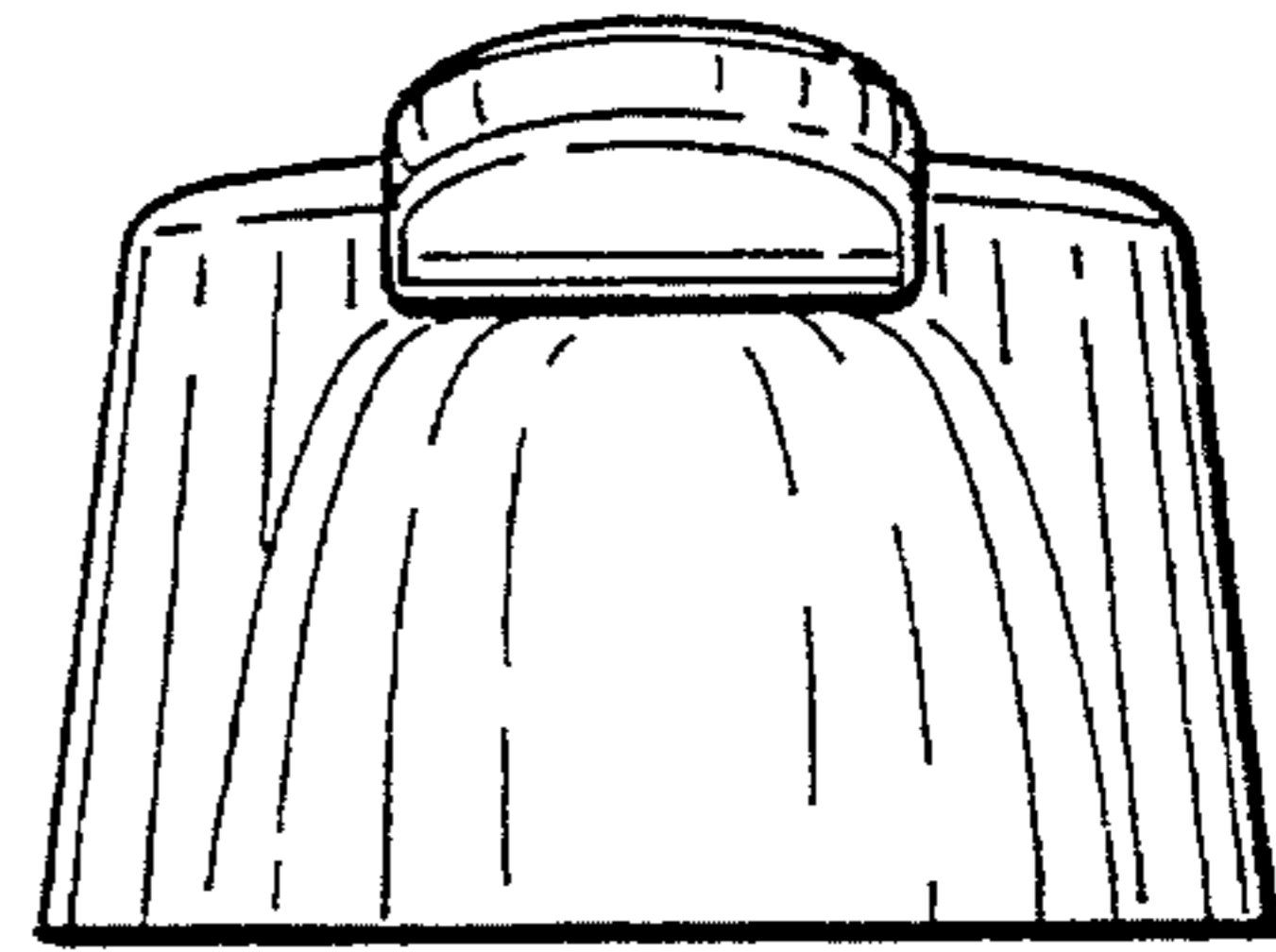


FIG. 3

FIG. 4

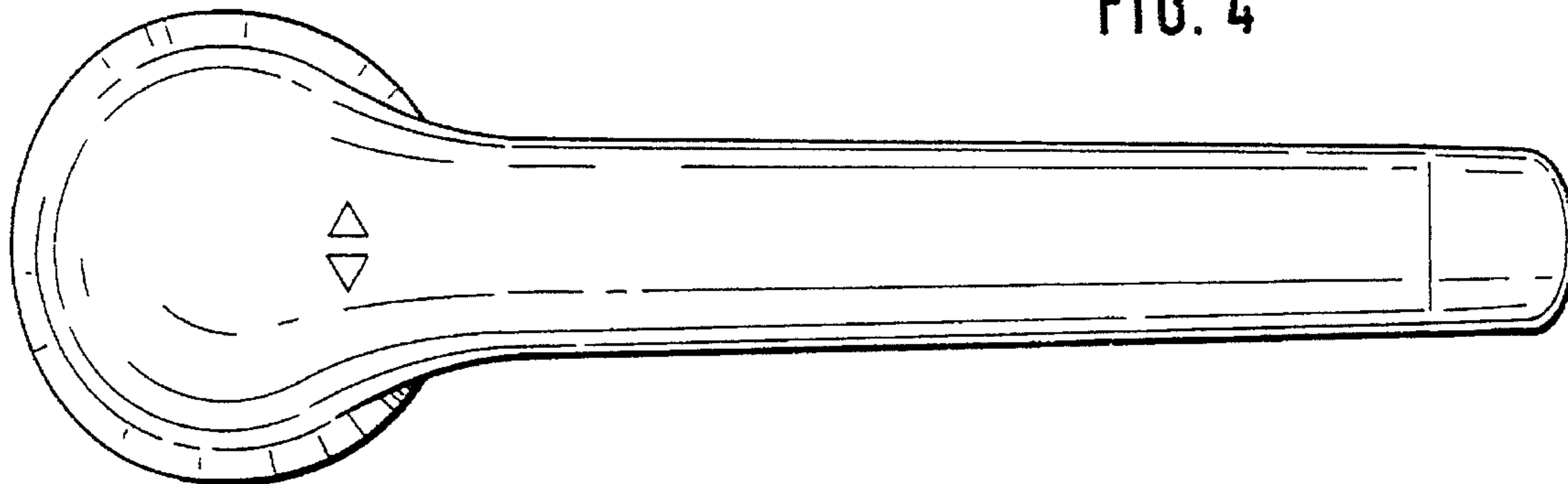


FIG. 5

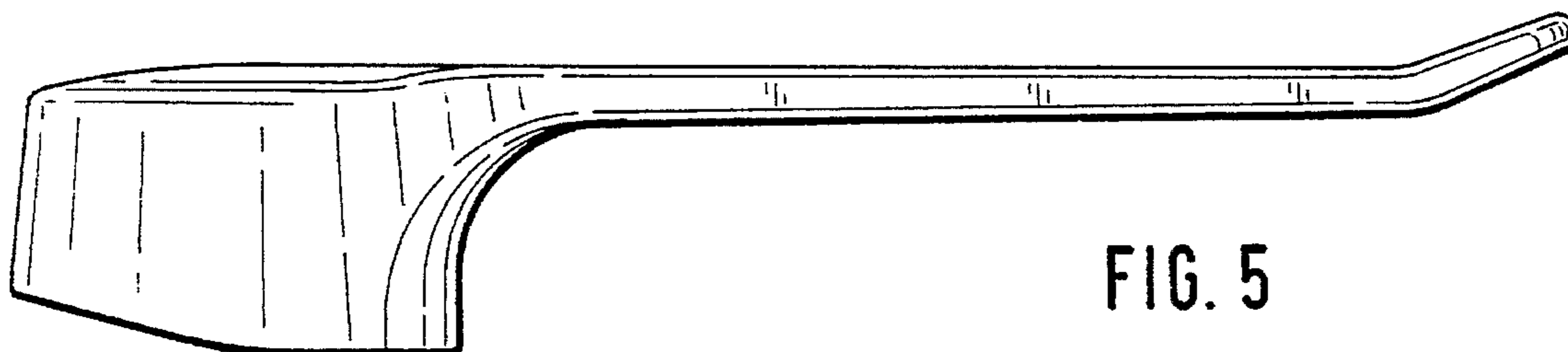


FIG. 6

