



US00D366517S

United States Patent [19]

[11] Patent Number: **Des. 366,517**

Doughty et al.

[45] Date of Patent: ****Jan. 23, 1996**

[54] FAUCET

[75] Inventors: **Frederic C. Doughty**, S. Pasadena;
Darren M. Mark, Castaic, both of Calif.

[73] Assignee: **Emhart, Inc.**, Newark, Del.

[**] Term: **14 Years**

[21] Appl. No.: **33,977**

[22] Filed: **Jan. 25, 1995**

[52] U.S. Cl. **D23/242**

[58] Field of Search D23/238-243,
D23/250-258; 4/675, 676, 677, 678; 137/801

[56] **References Cited**

U.S. PATENT DOCUMENTS

D. 276,259	11/1984	Miller .	
D. 280,010	8/1985	Miller et al. .	
D. 287,747	1/1987	Miller et al. .	
D. 288,835	3/1987	Yost .	
D. 288,836	3/1987	Yost	D23/241
D. 295,550	5/1988	Yost .	
D. 295,551	5/1988	Yost .	
D. 312,495	11/1990	Joerger	D23/242
D. 314,813	2/1991	Jans .	
D. 318,714	7/1991	Spangler .	
D. 318,906	8/1991	Spangler .	
D. 320,645	10/1991	Knapp et al. .	
D. 321,750	11/1991	Spangler .	
D. 323,375	1/1992	Razumov	D23/242
D. 325,772	4/1992	Carr .	
D. 327,944	7/1992	Stairs et al. .	
D. 329,782	8/1992	Paterson .	
D. 350,390	9/1994	Bollenbacher .	
D. 352,095	11/1994	Bollenbacher .	

Primary Examiner—Stella Reid
Assistant Examiner—Eric Watterson
Attorney, Agent, or Firm—J. Bruce Hoofnagle

[57] **CLAIM**

The ornamental design for a faucet, as shown and described.

DESCRIPTION

FIG. 1 is a front view of a first embodiment of our new

design of a faucet;
 FIG. 2 is a rear view of the first embodiment of our new design of the faucet;
 FIG. 3 is a top view of the first embodiment of our new design of the faucet;
 FIG. 4 is a bottom view of the first embodiment of our new design of the faucet;
 FIG. 5 is a left side view of the first embodiment of our new design of the faucet, a right side view thereof being a mirror image of the left side view;
 FIG. 6 is a perspective view of the first embodiment of our new design of the faucet;
 FIG. 7 is a front view of a second embodiment of our new design of the faucet;
 FIG. 8 is a rear view of the second embodiment of our new design of the faucet;
 FIG. 9 is a top view of the second embodiment of our new design of the faucet;
 FIG. 10 is a bottom view of the second embodiment of our new design of the faucet;
 FIG. 11 is a left side view of the second embodiment of our new design of the faucet, a right side view thereof being a mirror image of the left side view;
 FIG. 12 is a perspective view of the second embodiment of our new design of the faucet;
 FIG. 13 is a front view of a third embodiment of our new design of a faucet;
 FIG. 14 is a rear view of the third embodiment of our new design of the faucet;
 FIG. 15 is a top view of the third embodiment of our new design of the faucet;
 FIG. 16 is a bottom view of the third embodiment of our new design of the faucet;
 FIG. 17 is a left side view of the third embodiment of our new design of the faucet, a right side view thereof being a mirror image of the left side view;
 FIG. 18 is a perspective view of the third embodiment of our new design of the faucet;
 FIG. 19 is a front view of a fourth embodiment of our new design of the faucet;
 FIG. 20 is a rear view of the fourth embodiment of our new design of the faucet;
 FIG. 21 is a top view of the fourth embodiment of our new design of the faucet;

(Description continued on next page.)

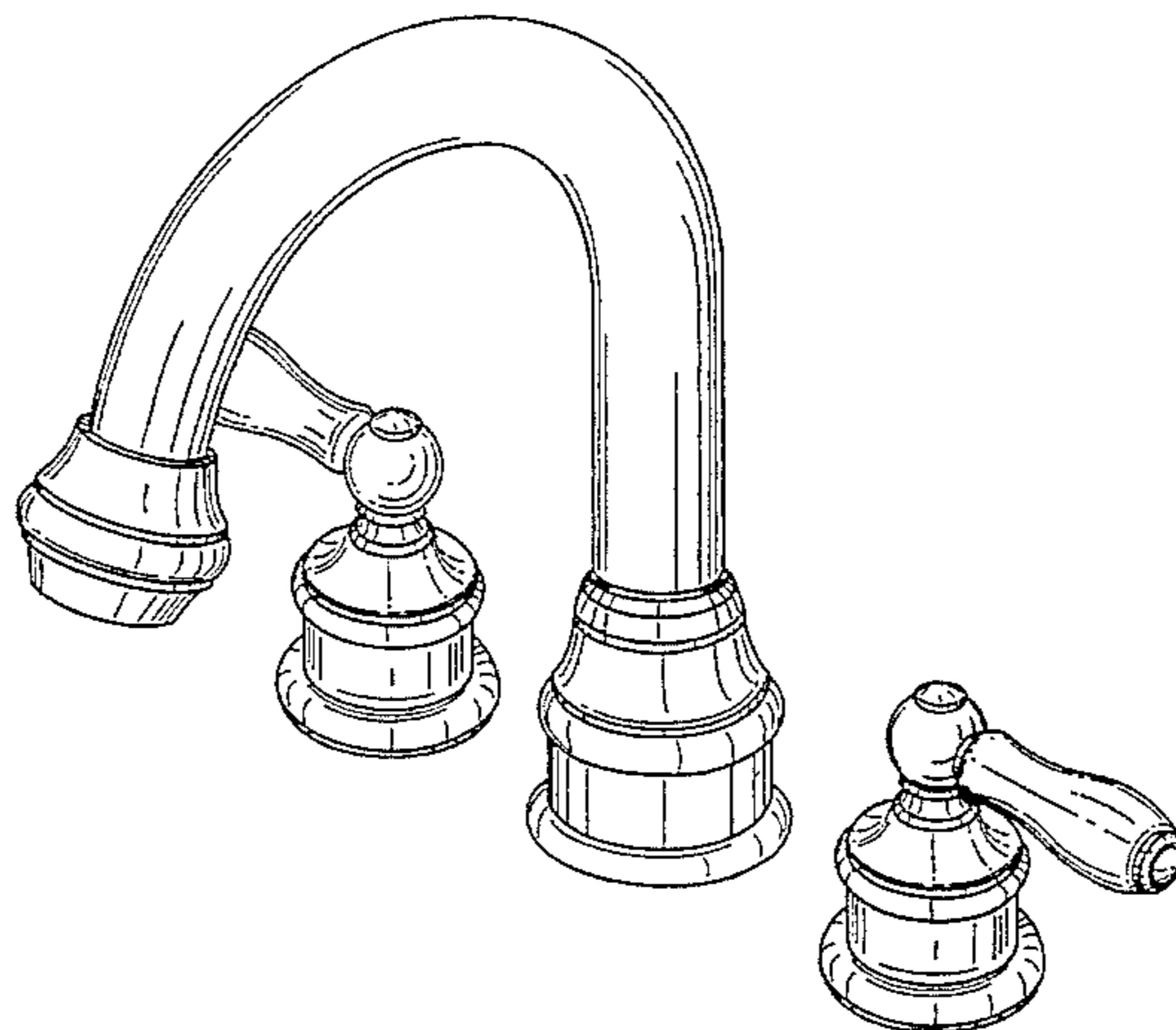


FIG. 22 is a bottom view of the fourth embodiment of our new design of the faucet;

FIG. 23 is a left side view of the fourth embodiment of our new design of the faucet, a right side view thereof being a mirror image of the left side view; and,

FIG. 24 is a perspective view of the fourth embodiment of our new design of the faucet.

1 Claim, 24 Drawing Sheets

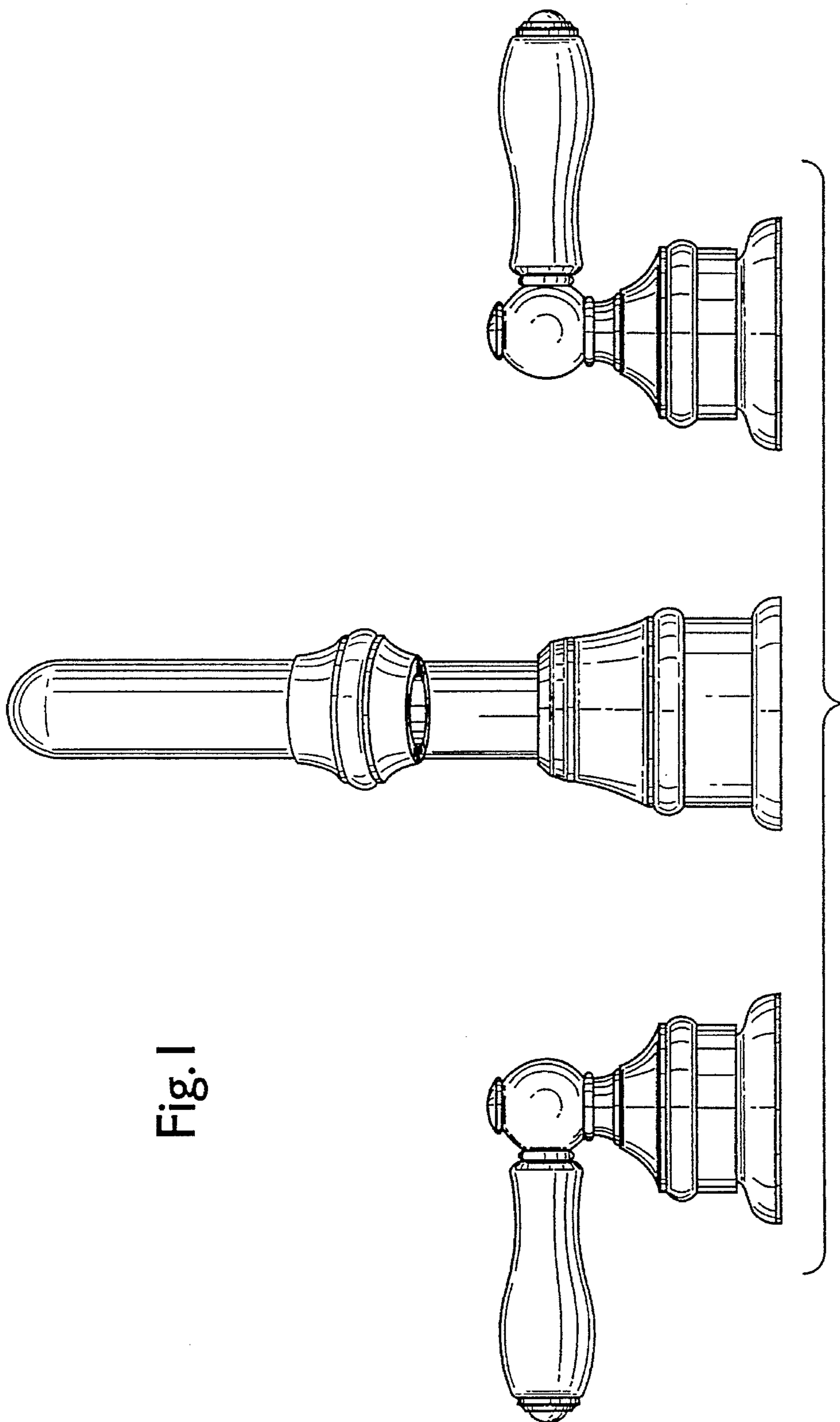


Fig. 1

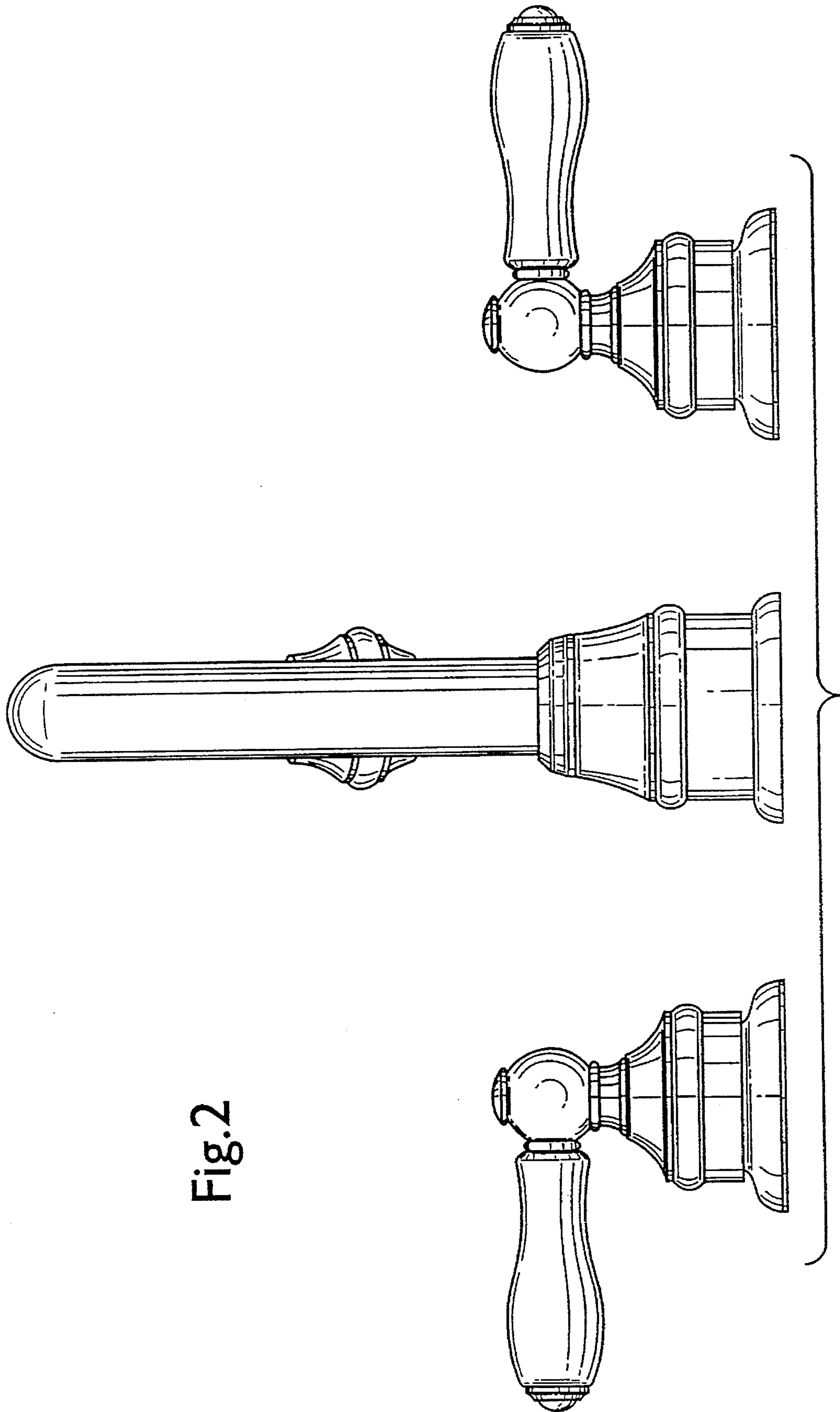


Fig. 2

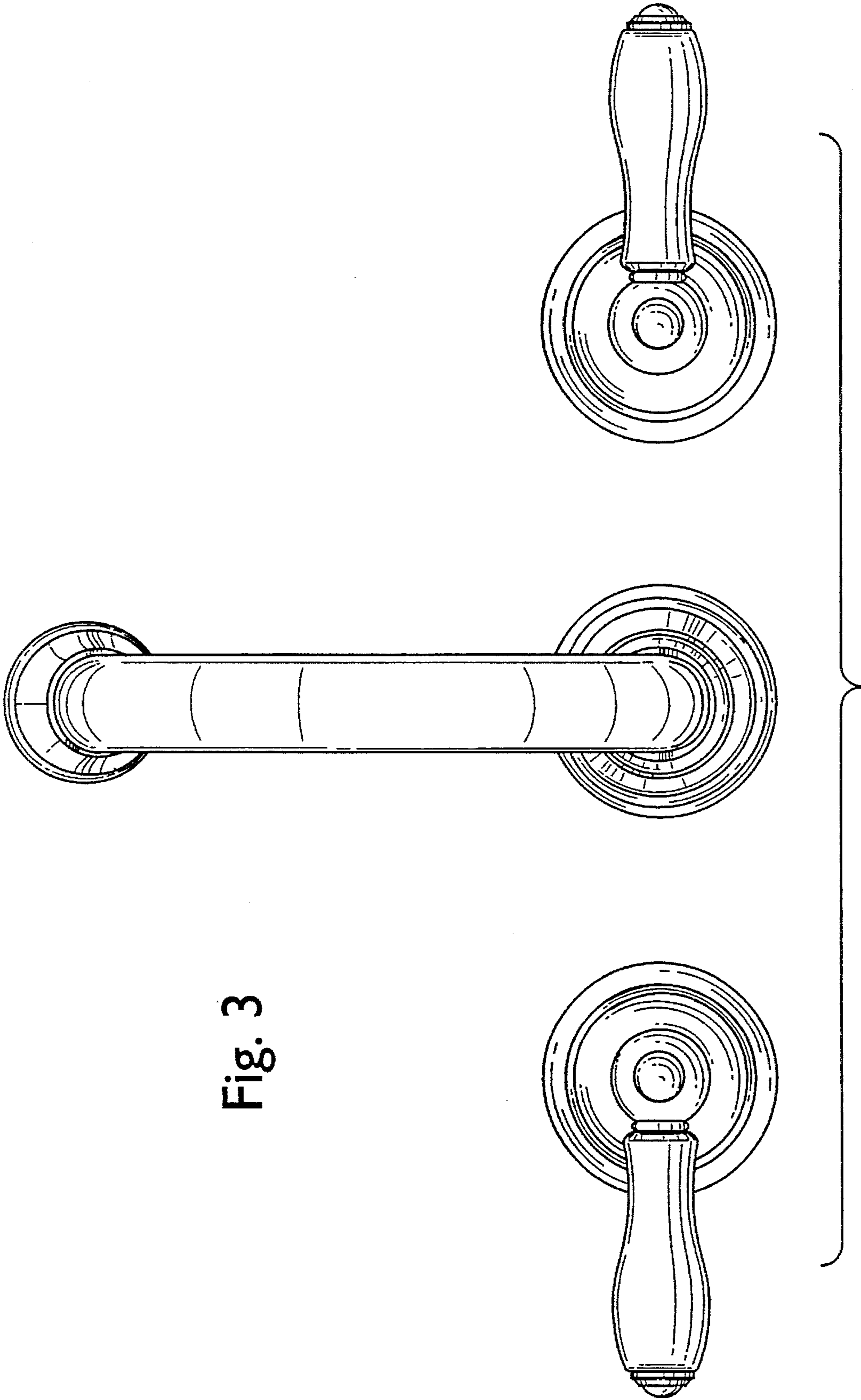


Fig. 3

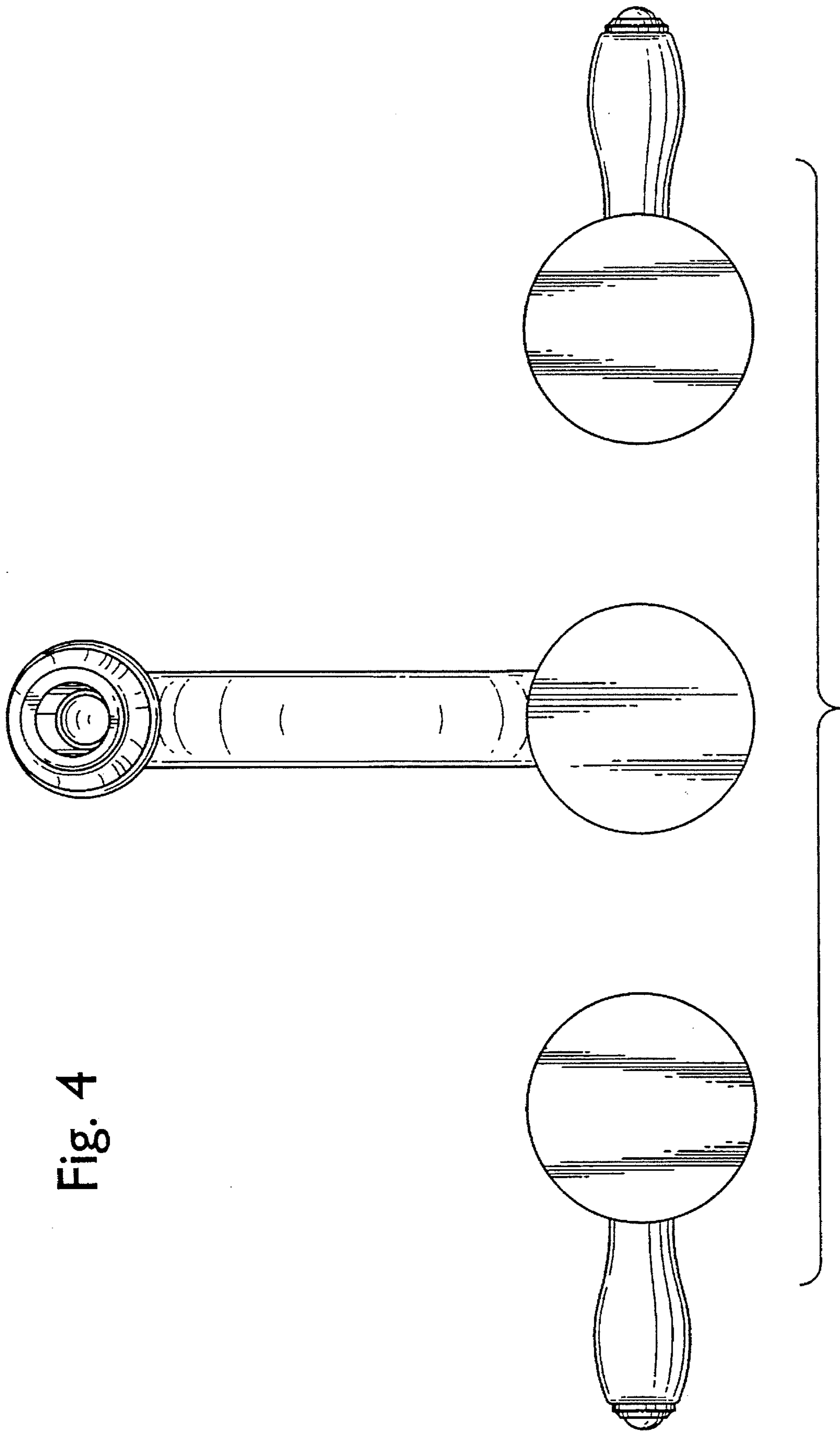


Fig. 4

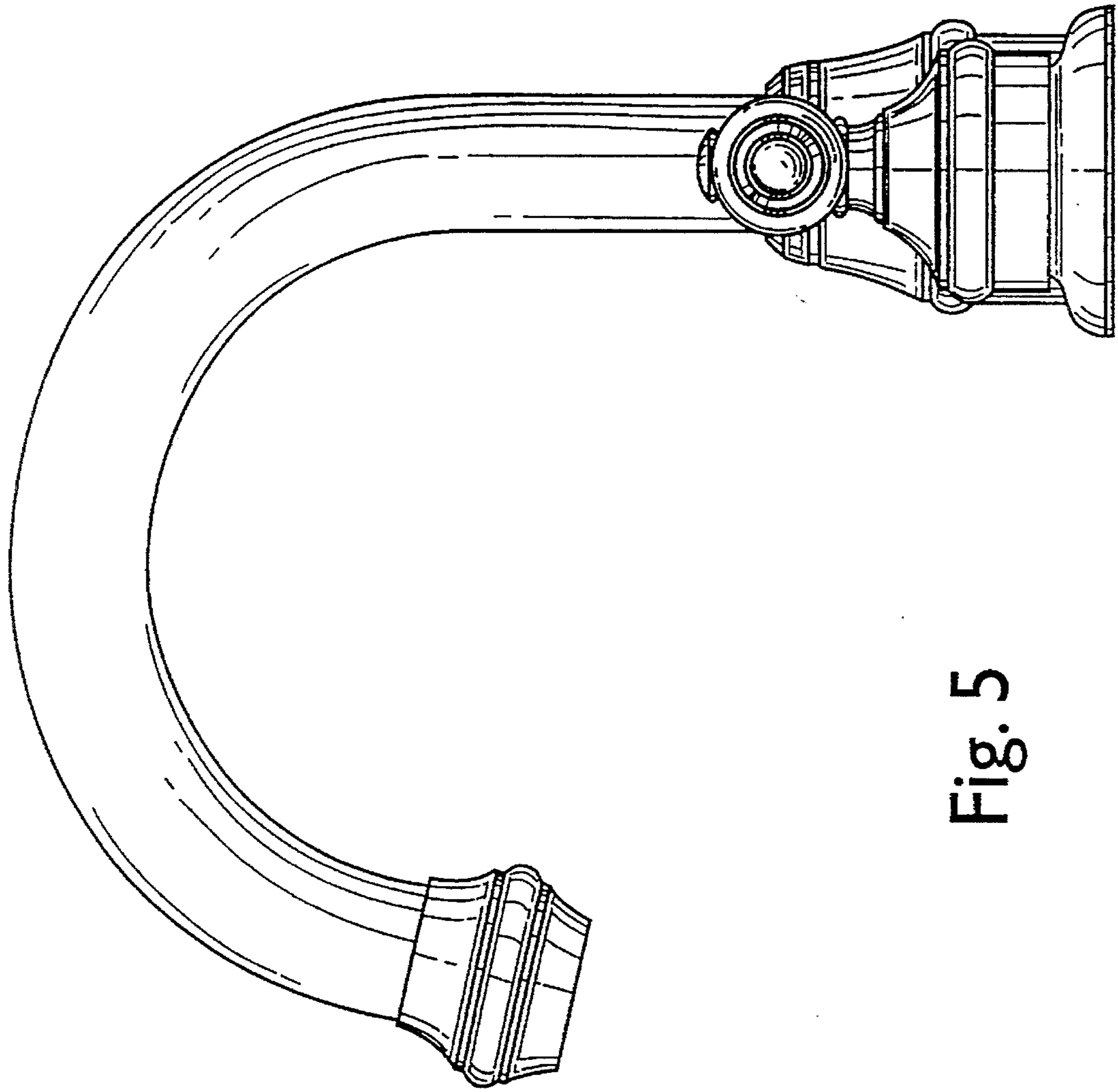


Fig. 5

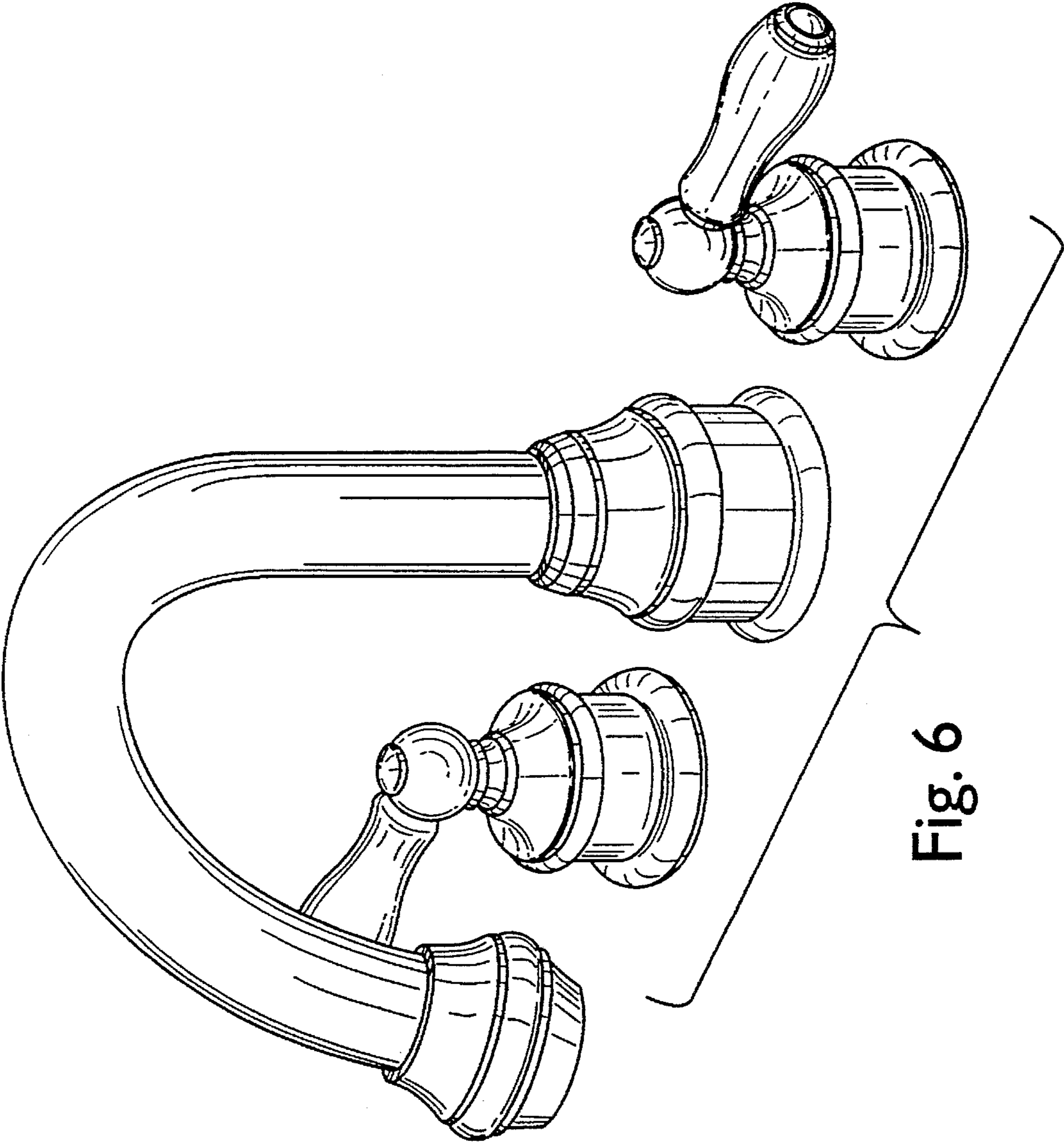


Fig. 6

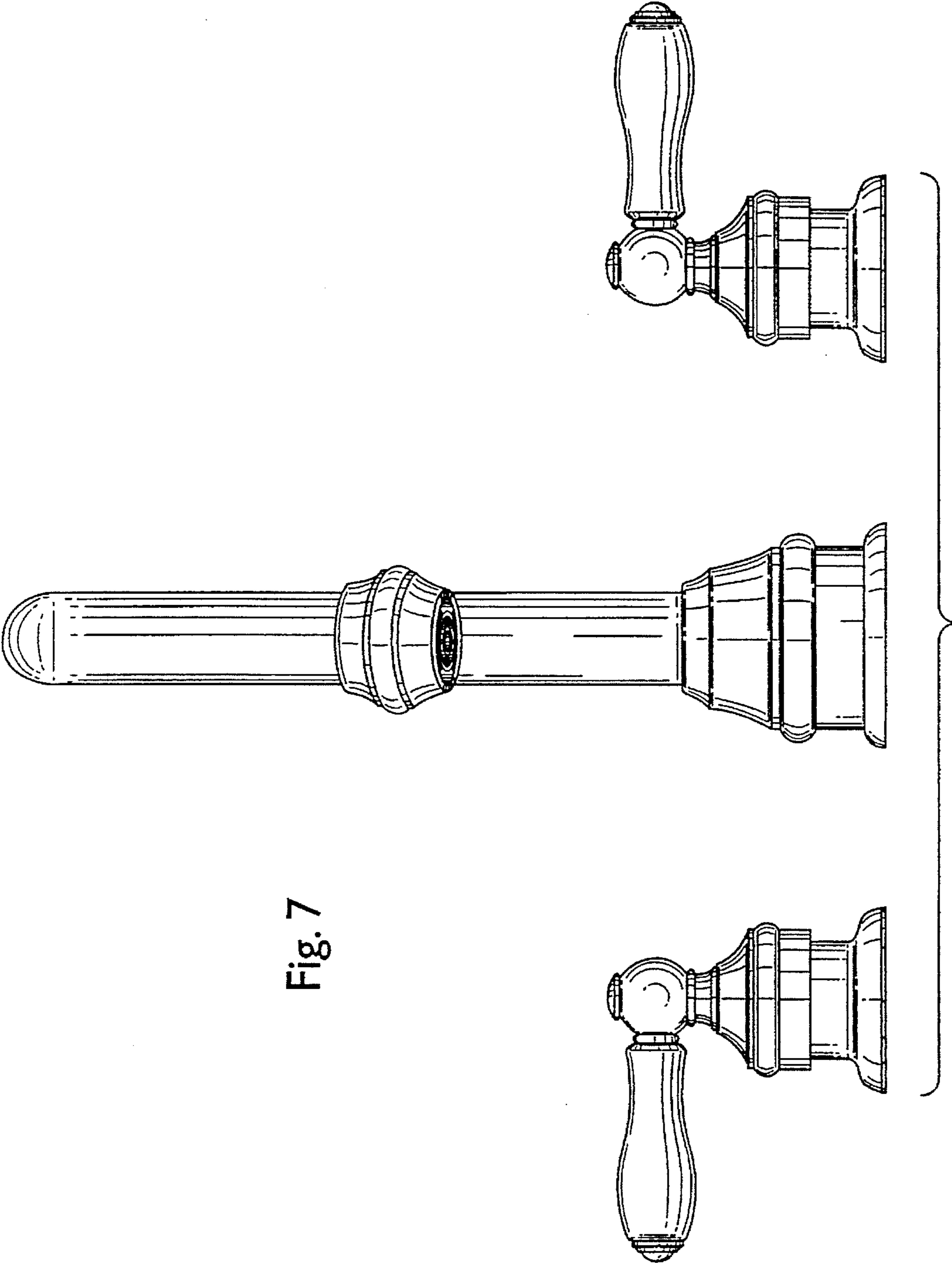


Fig. 7

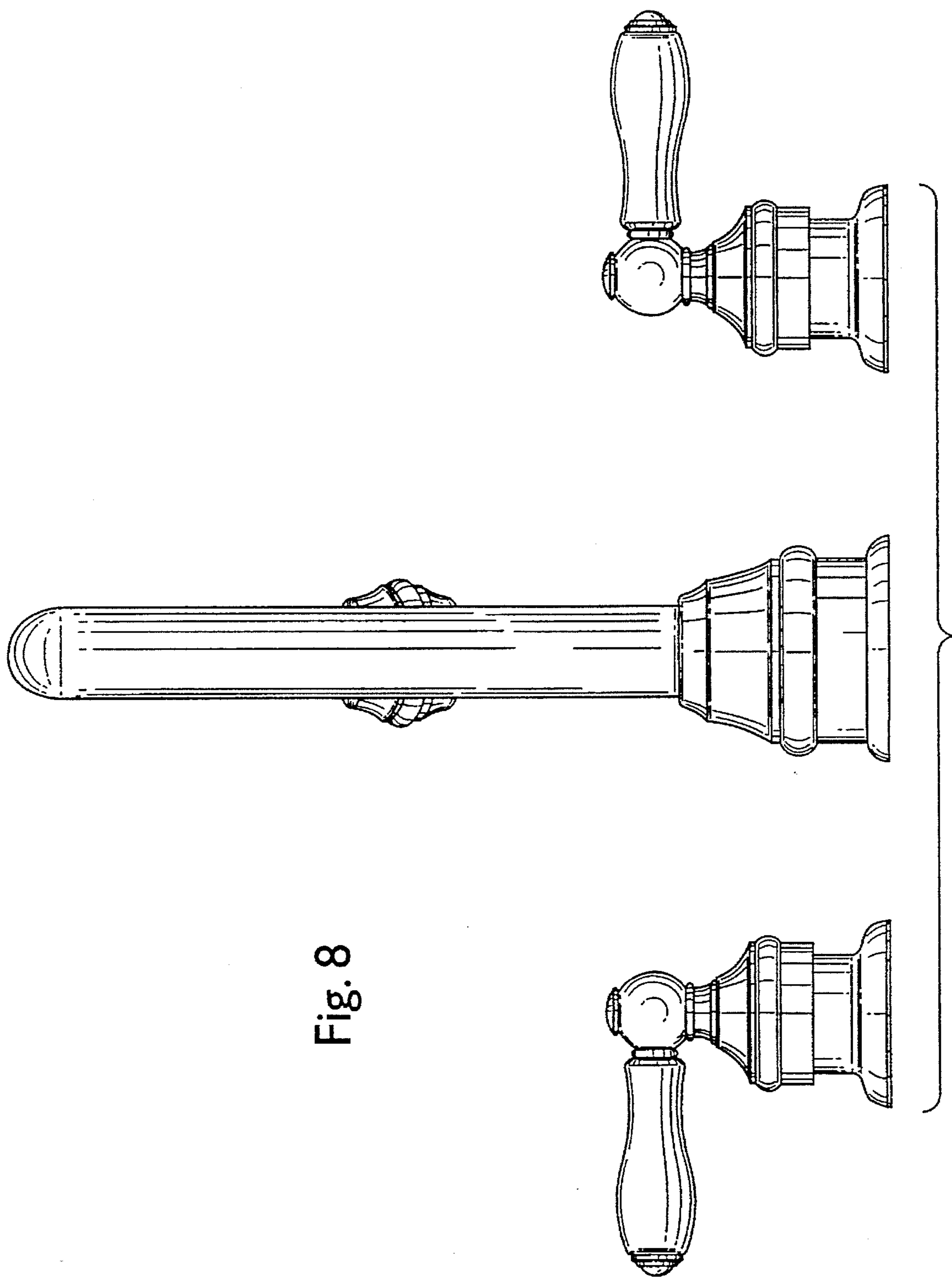


Fig. 8

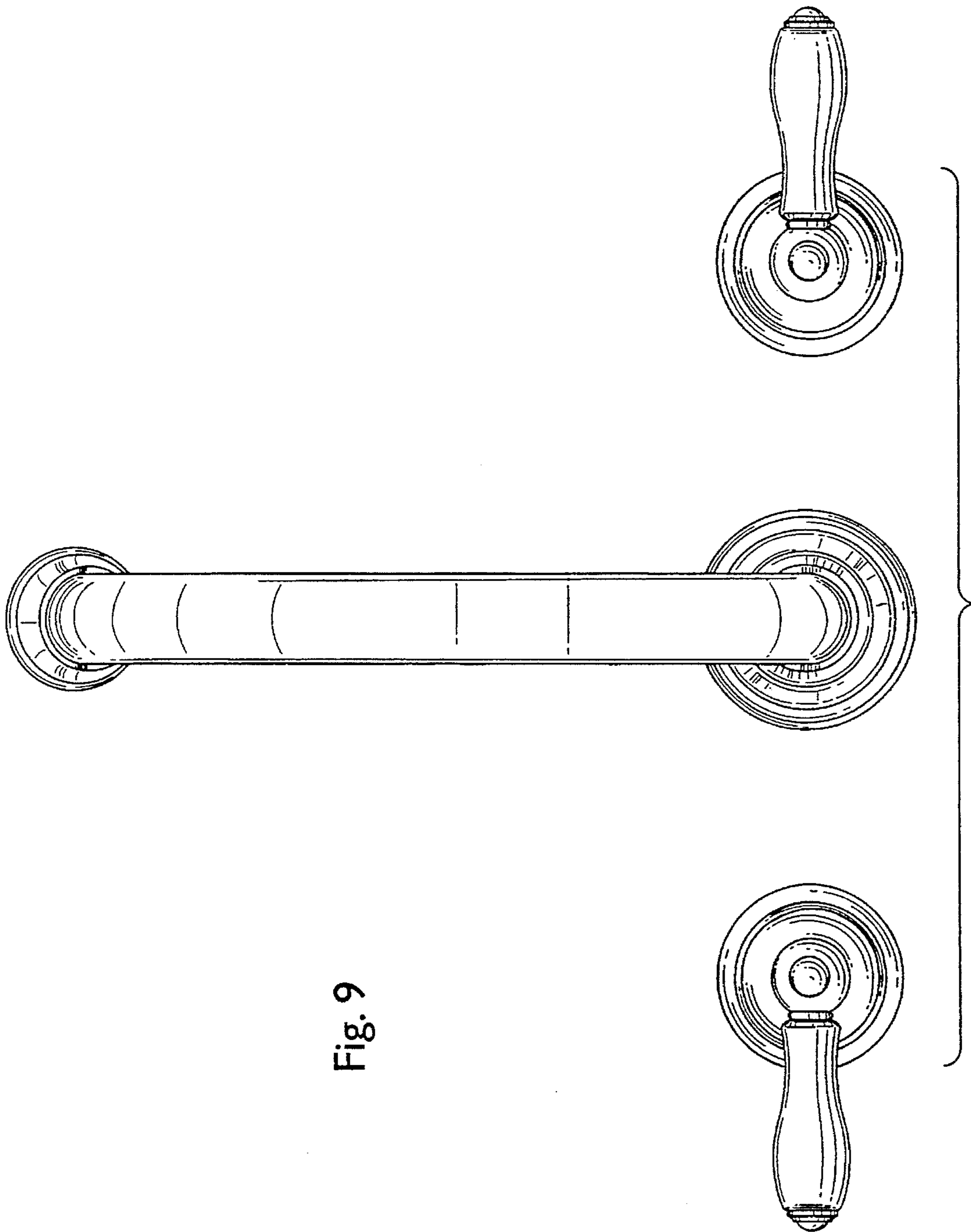


Fig. 9

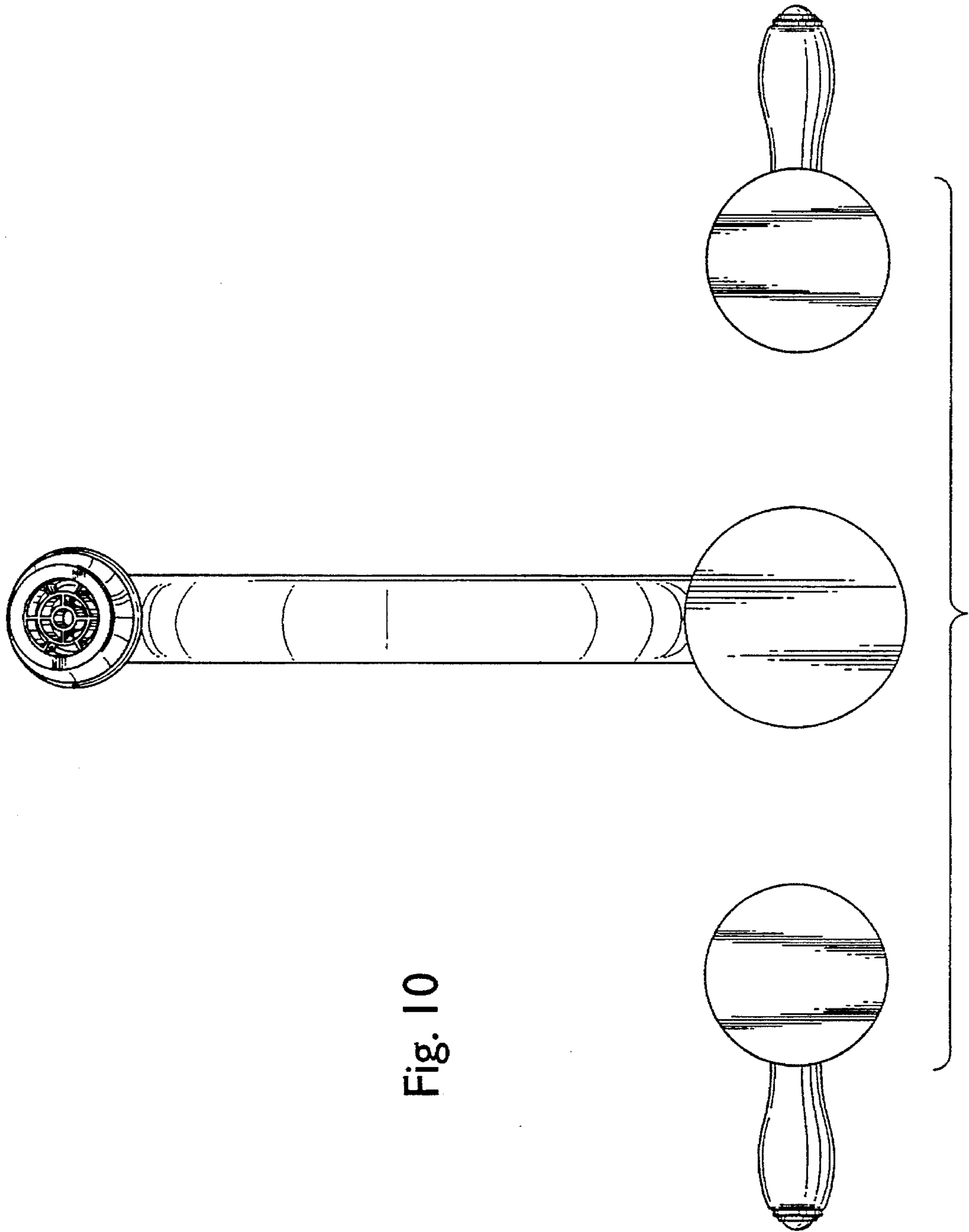


Fig. 10

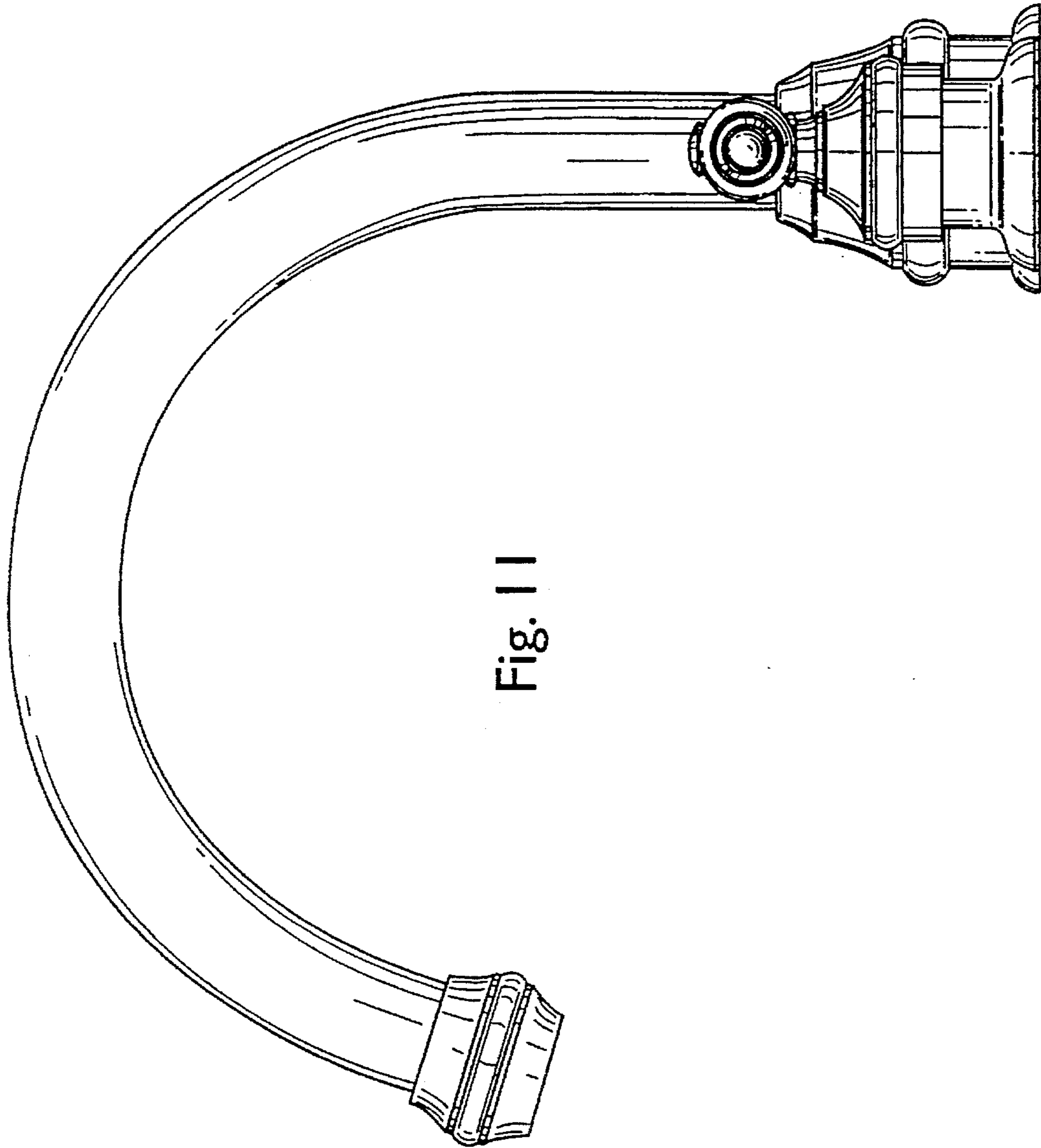


Fig. 11

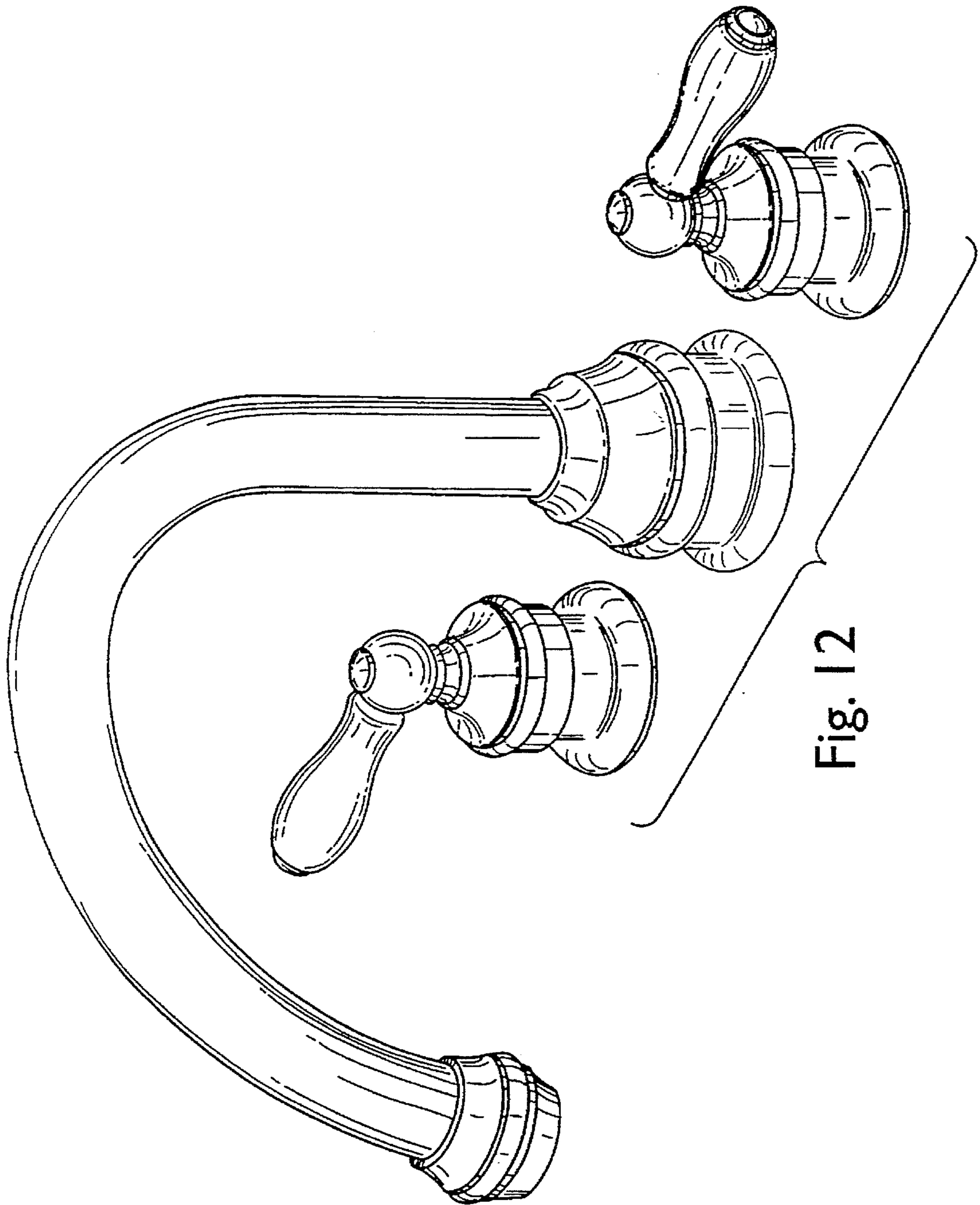


Fig. 12

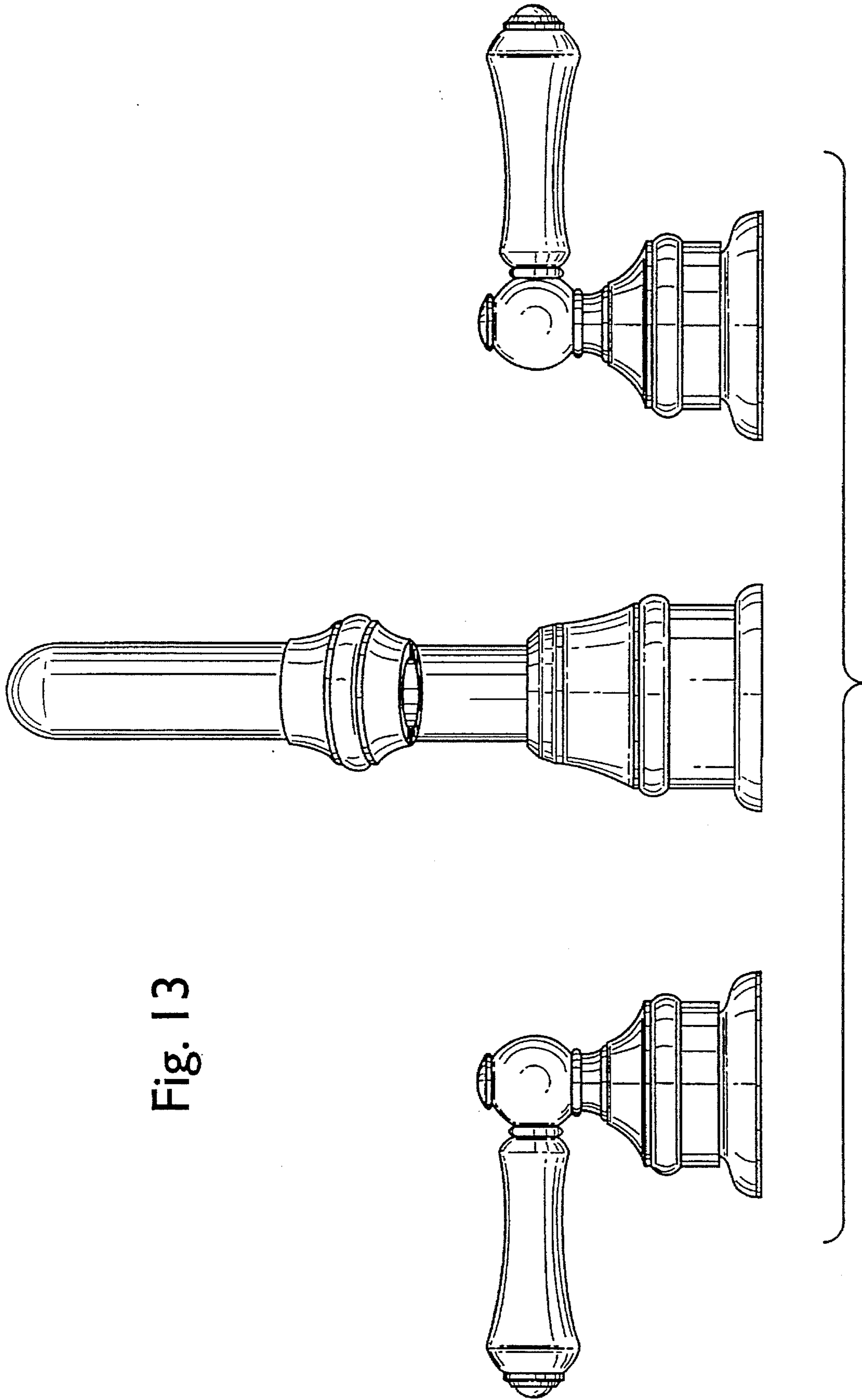


Fig. 13

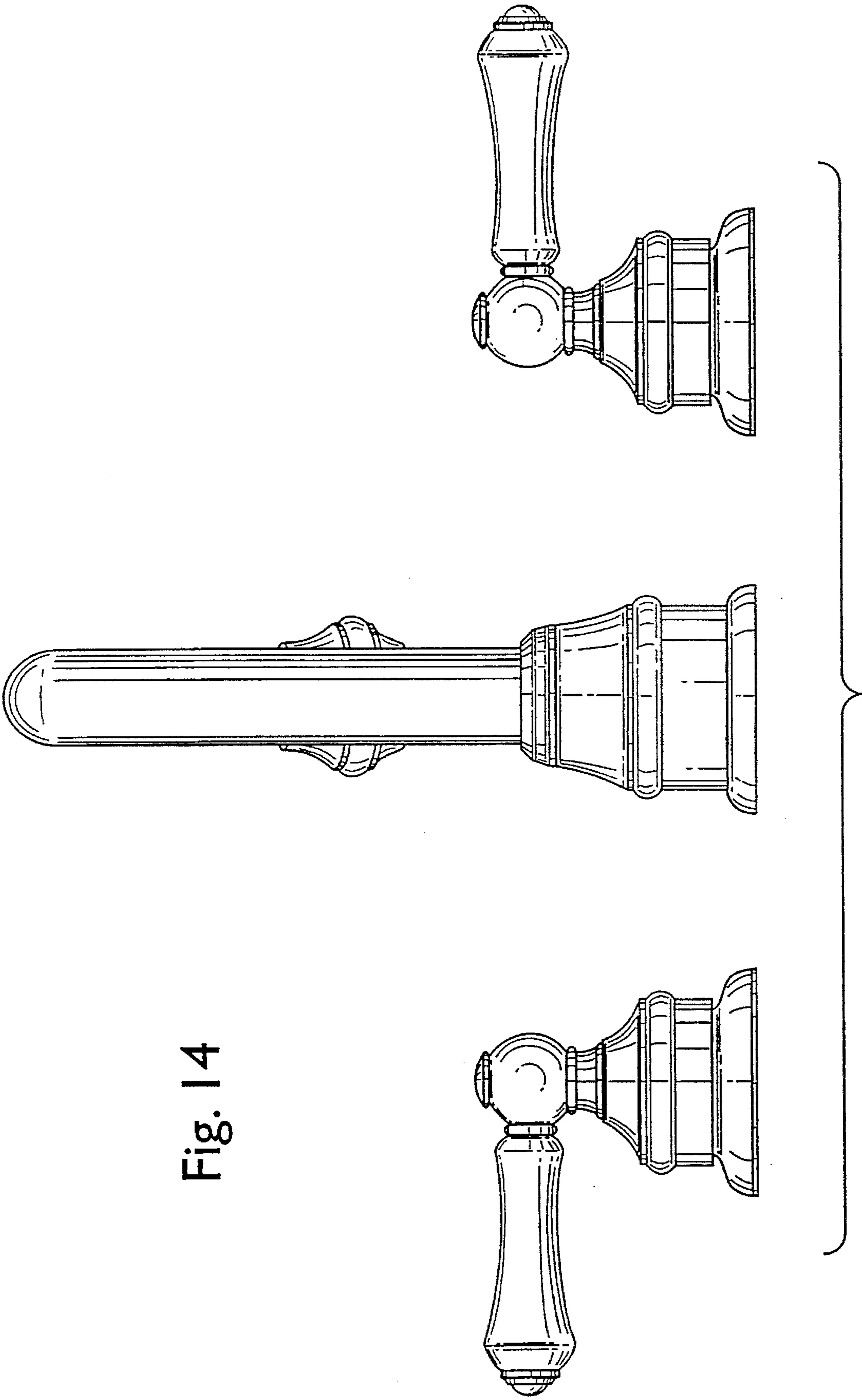


Fig. 14

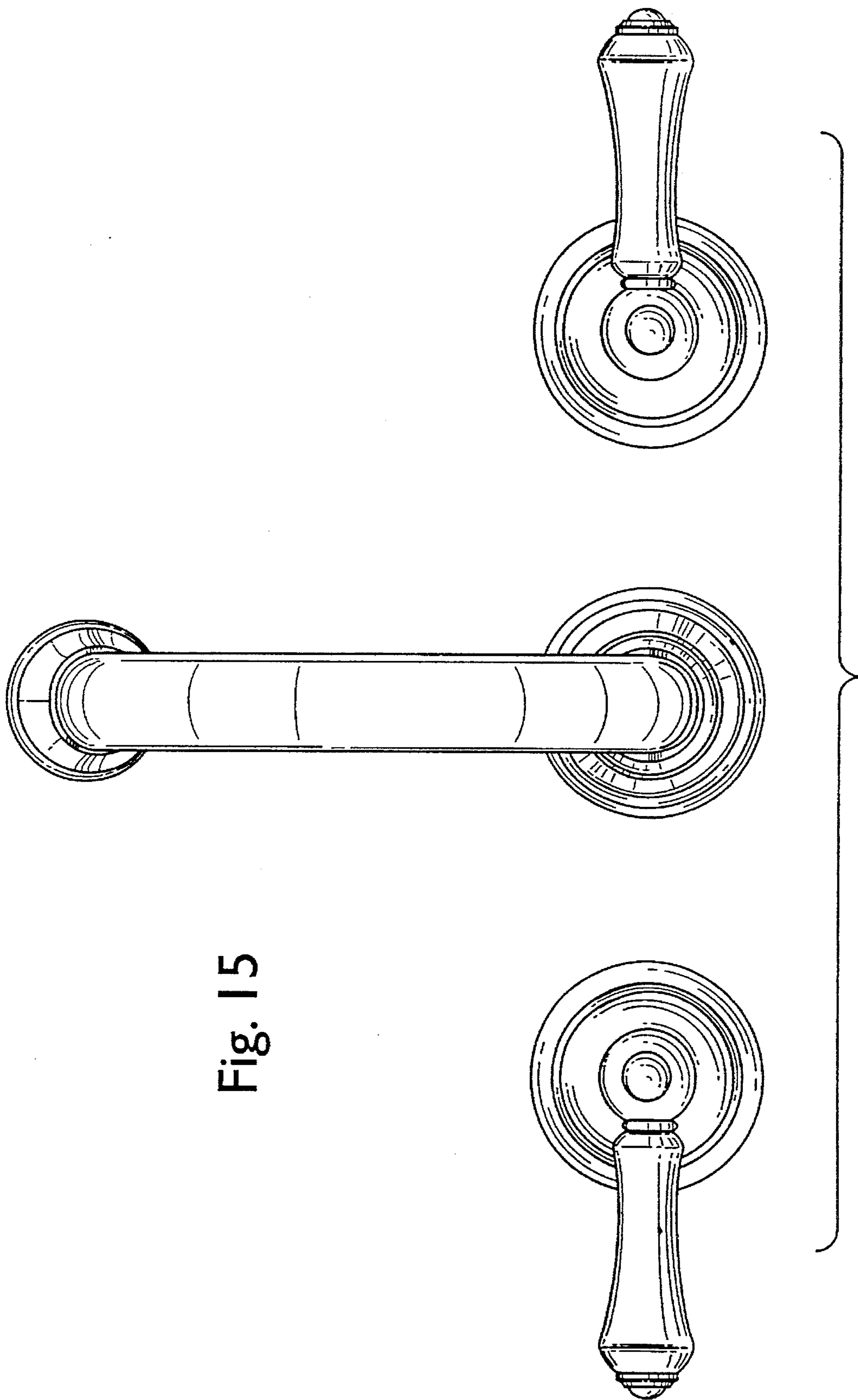


Fig. 15

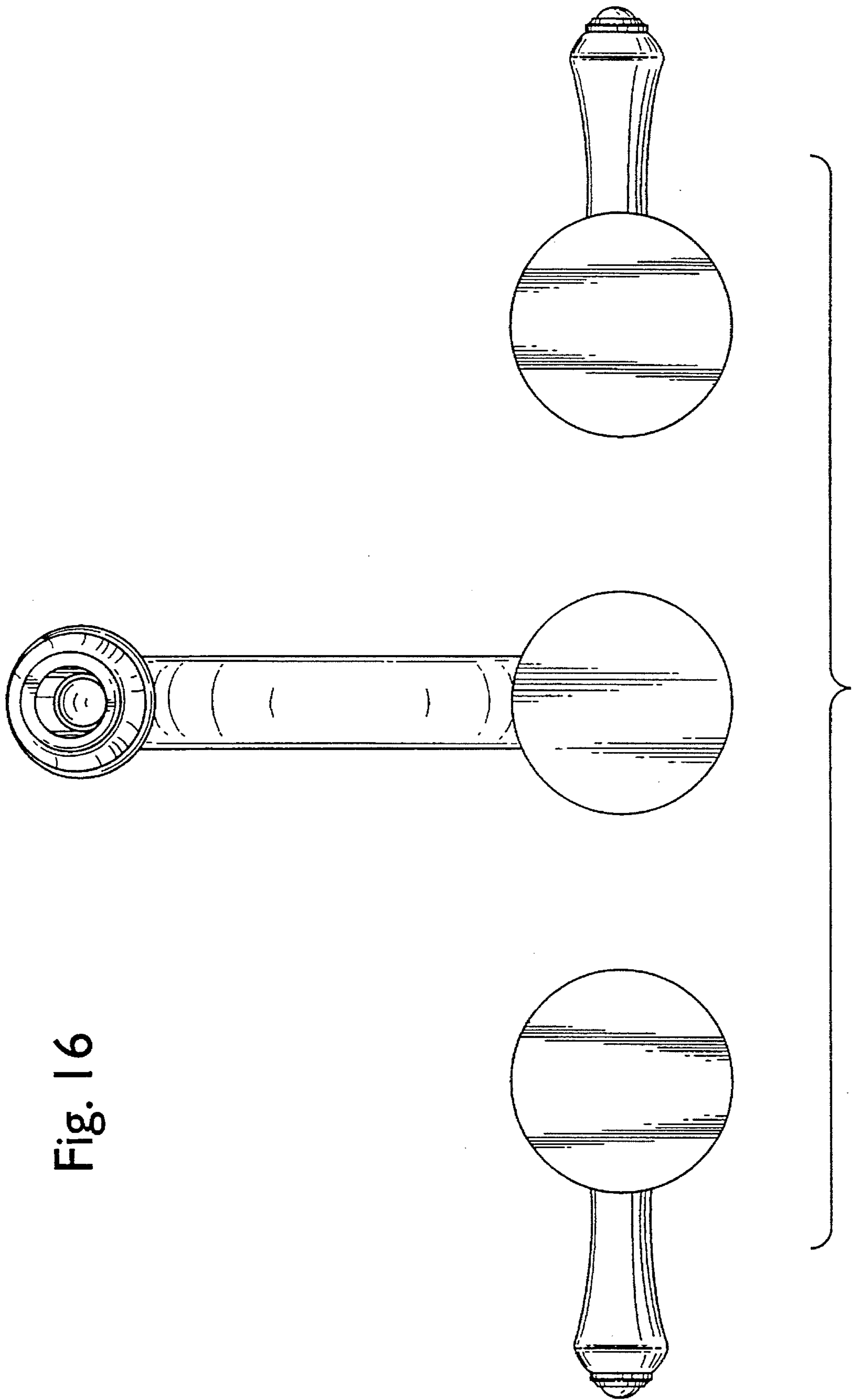


Fig. 16

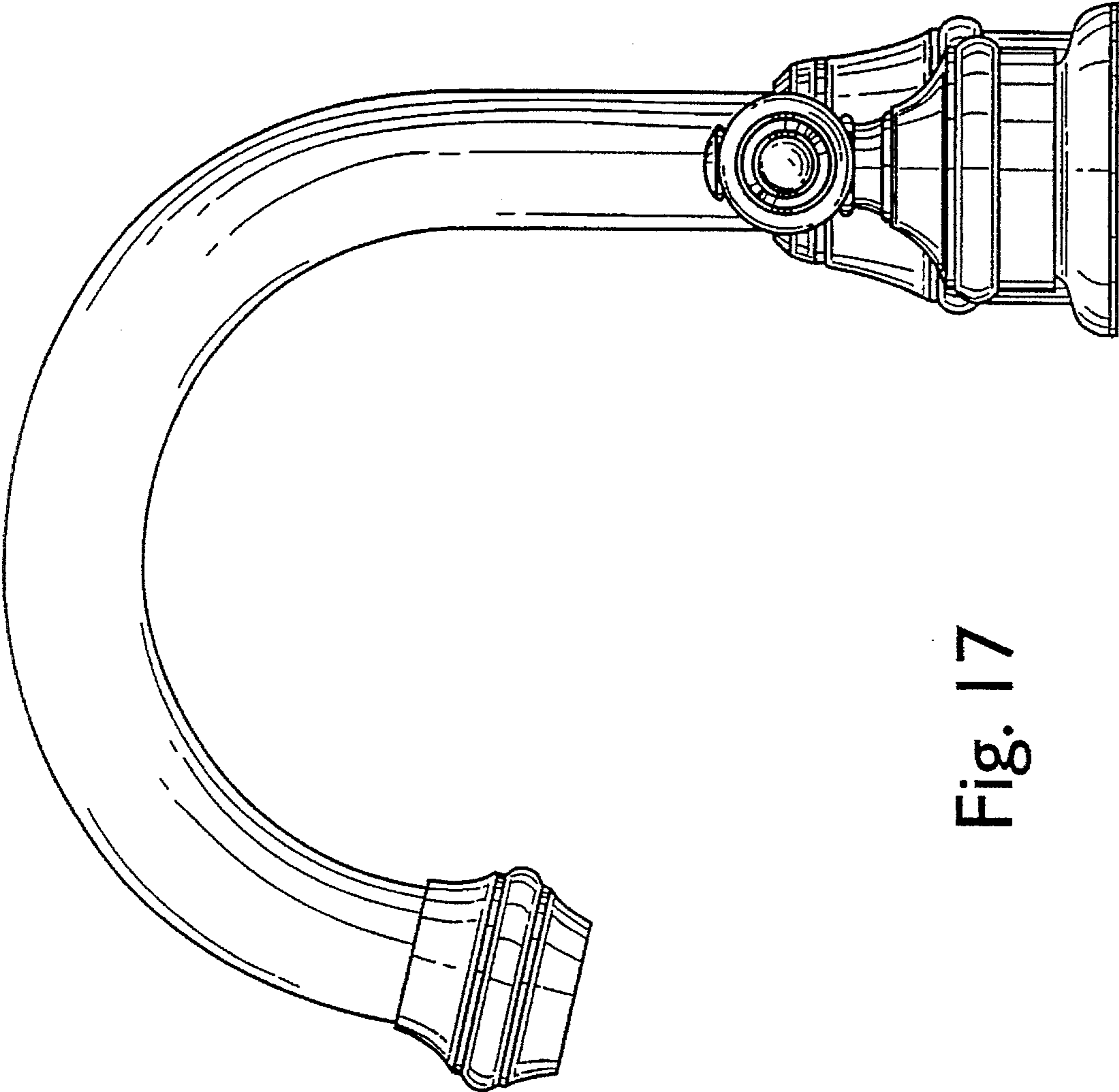


Fig. 17

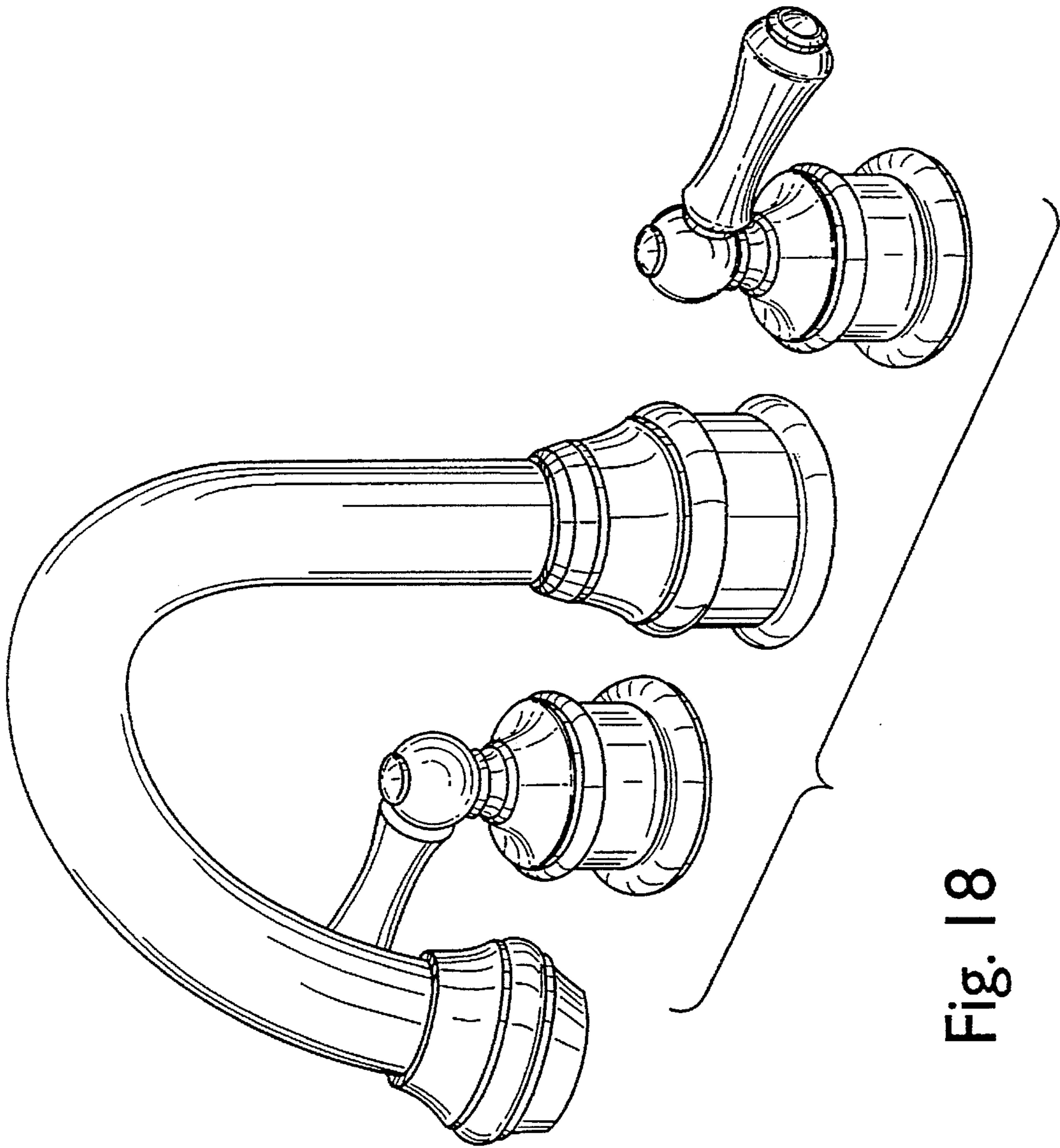


Fig. 18

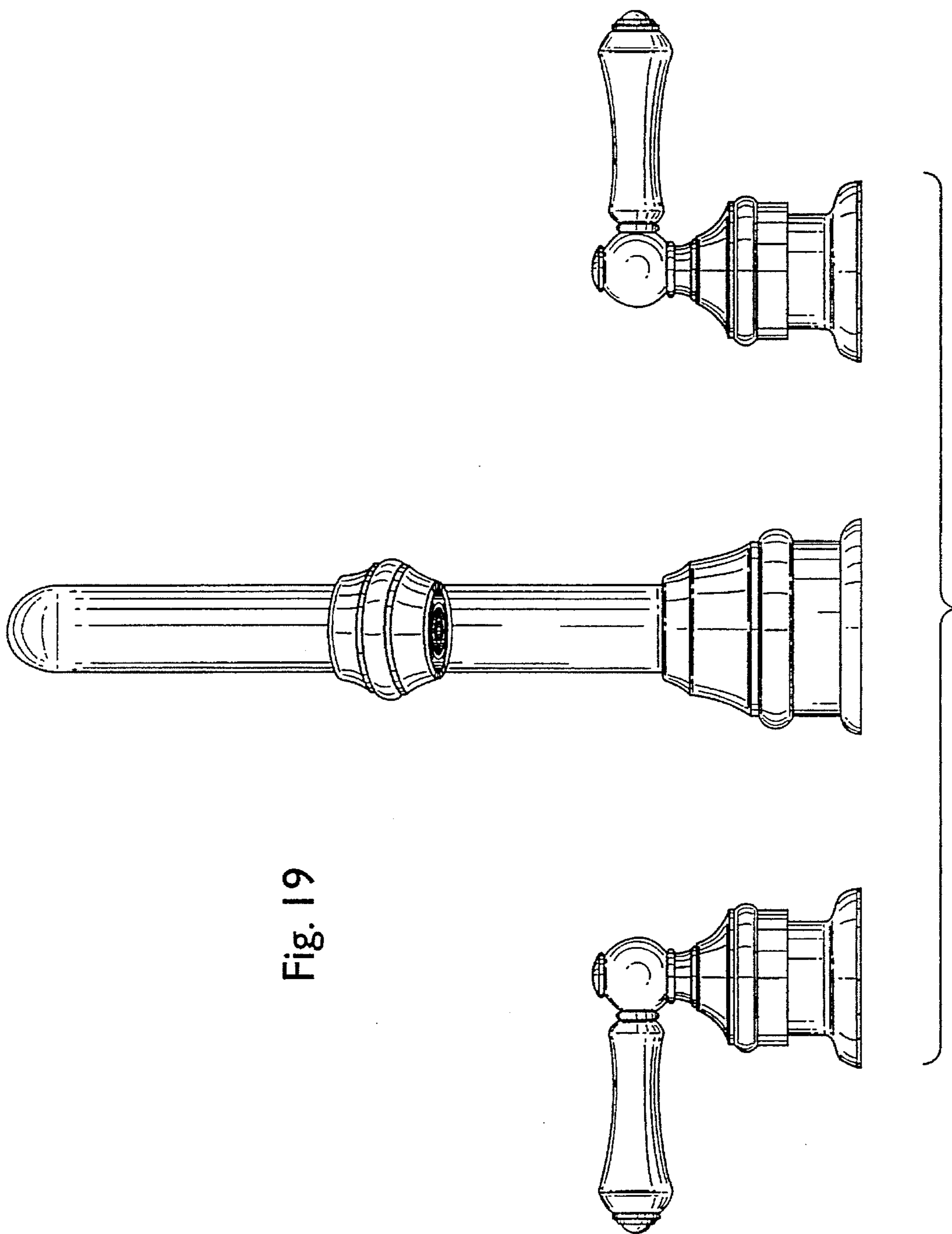


Fig. 19

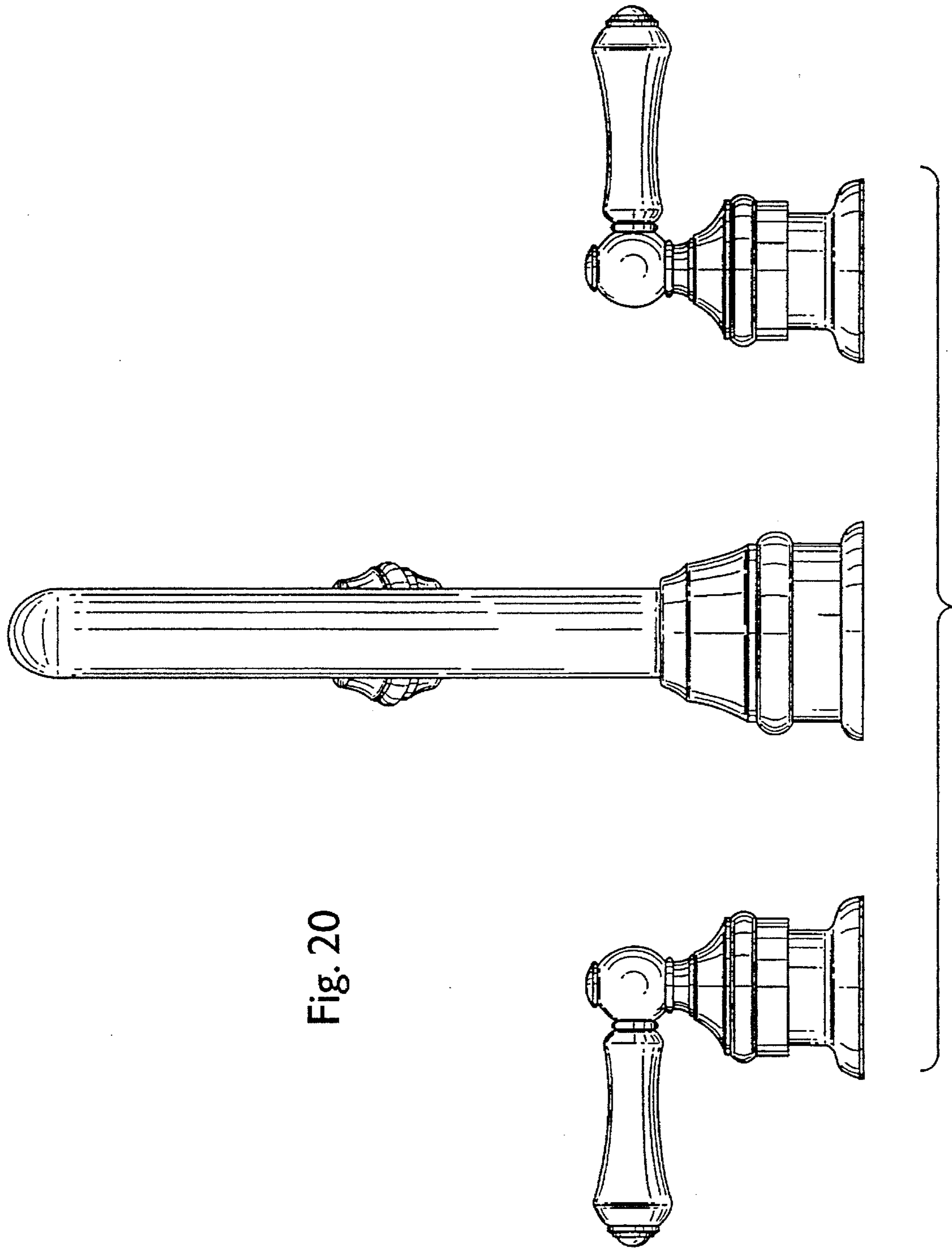


Fig. 20

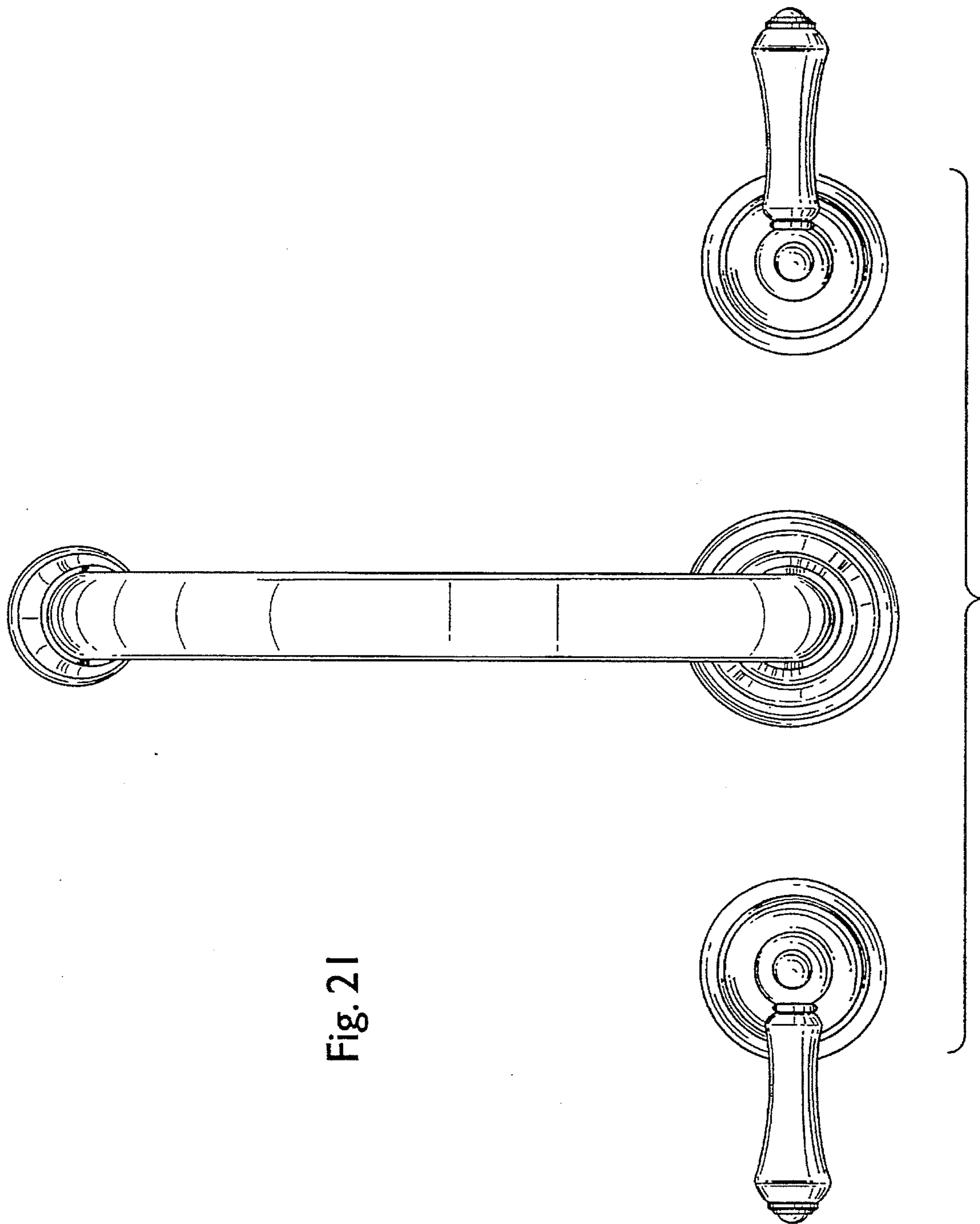


Fig. 21

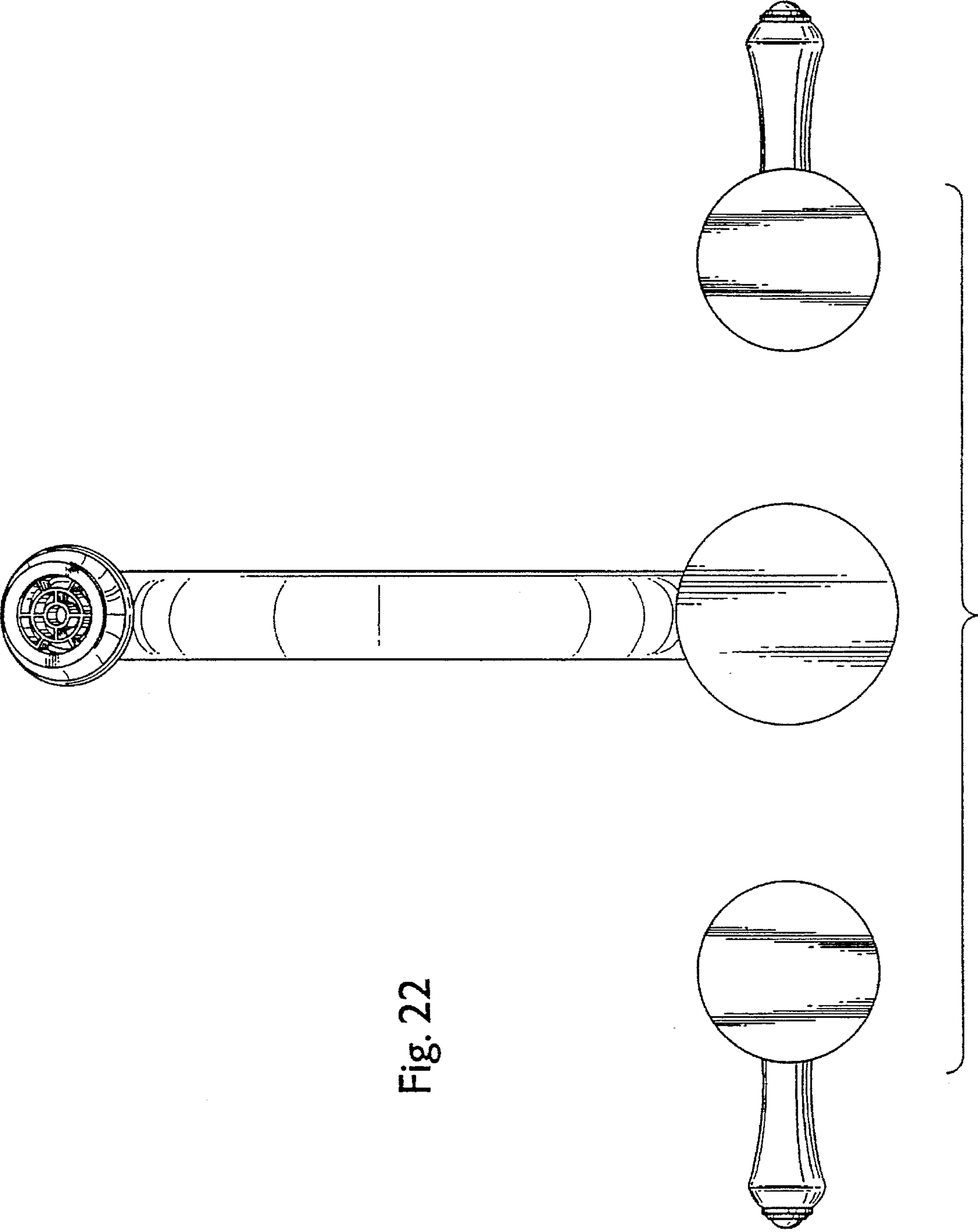


Fig. 22

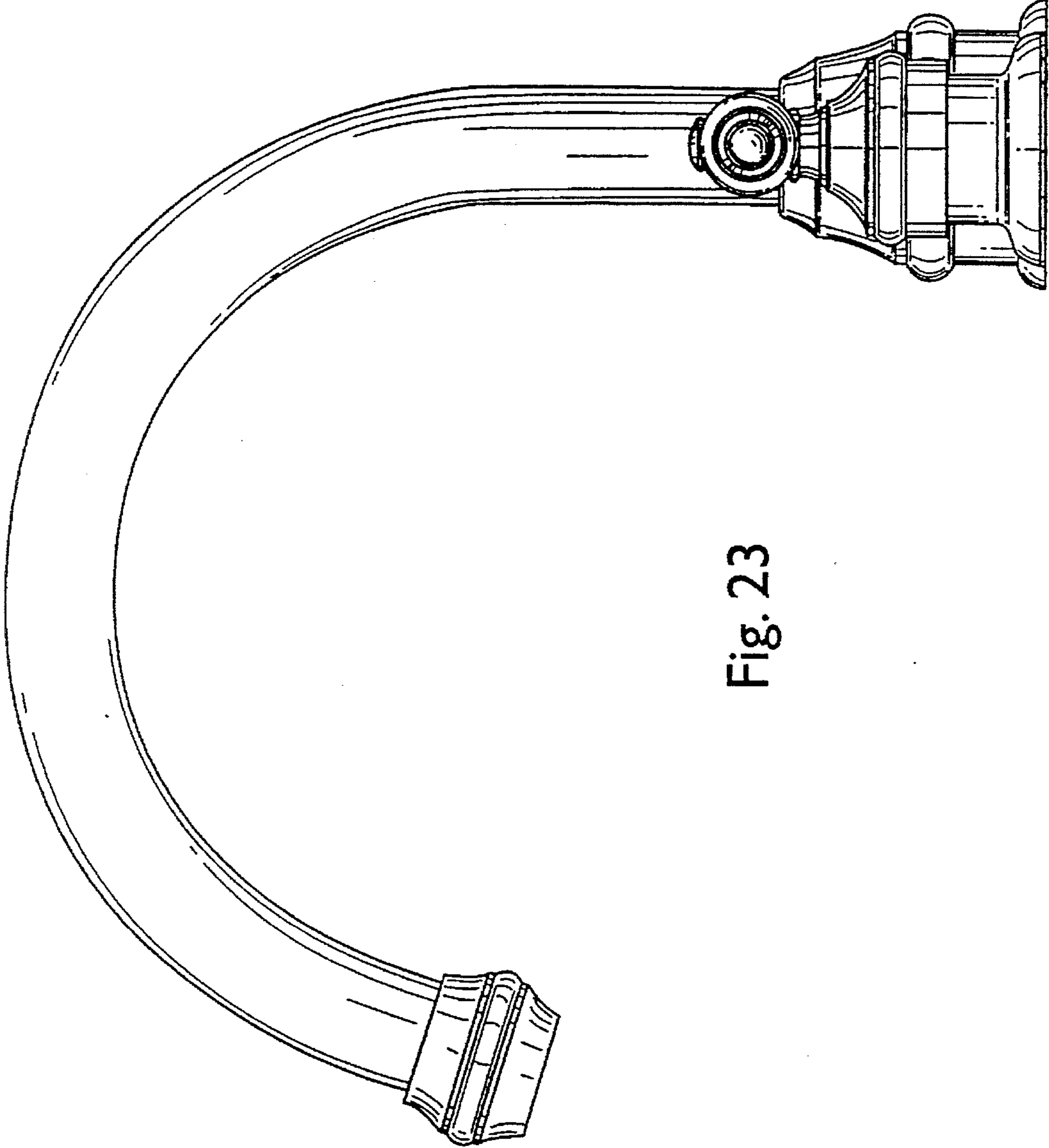


Fig. 23

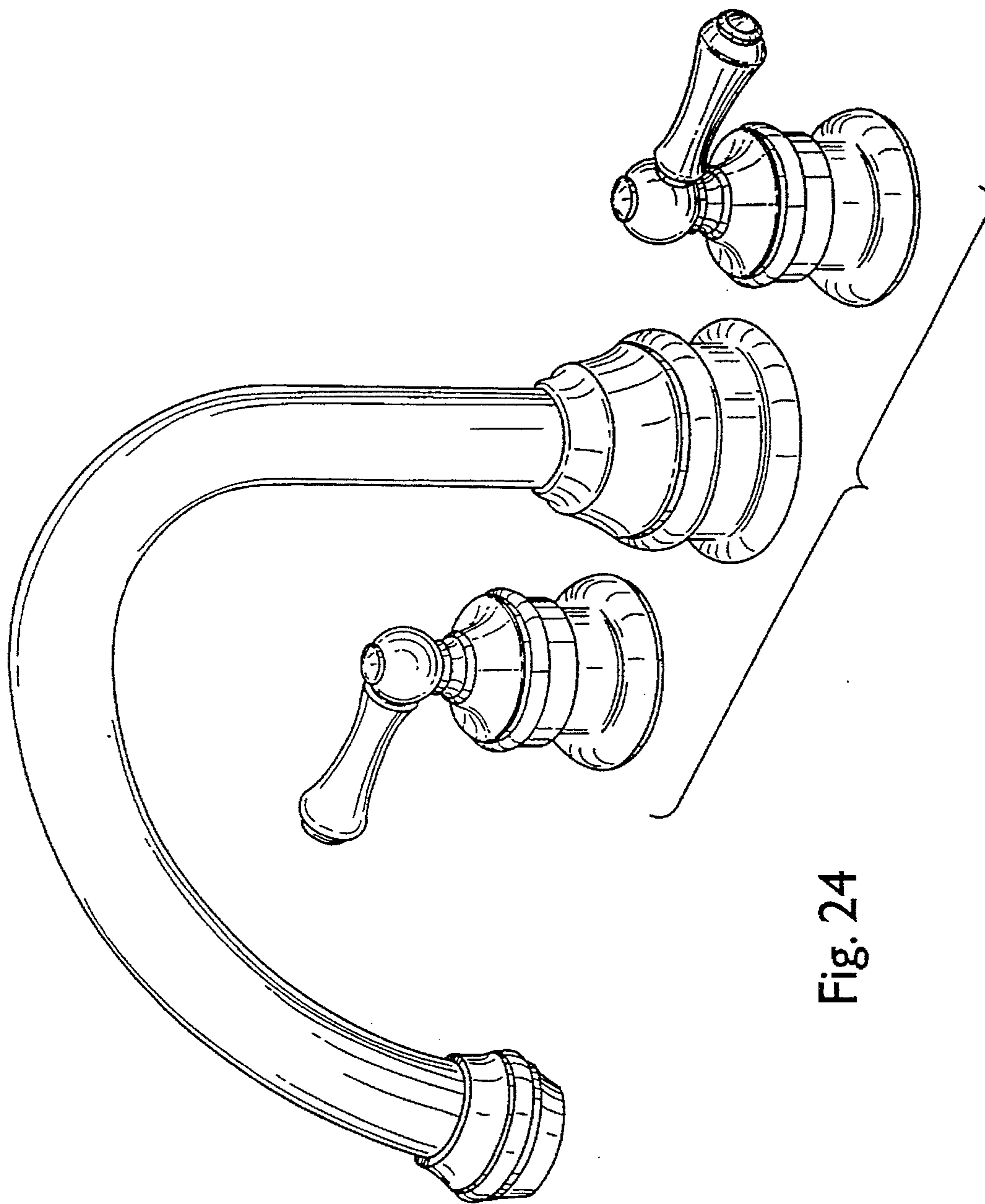


Fig. 24