



US00D366514S

United States Patent [19]

[11] Patent Number: **Des. 366,514**

Hochstrate et al.

[45] Date of Patent: ****Jan. 23, 1996**

[54] **COMBINED HANDGRIP AND TRIGGER GUARD FOR A FIREARM**

[75] Inventors: **Paul M. Hochstrate**, Plantsville;
Michael E. Gamache, Tolland, both of Conn.

[73] Assignee: **Colt's Manufacturing Company Inc.**, West Hartford, Conn.

[**] Term: **14 Years**

[21] Appl. No.: **31,960**

[22] Filed: **Dec. 9, 1994**

[52] U.S. Cl. **D22/108; D22/104**

[58] Field of Search D22/100, 101, D22/104, 105; 42/7, 50, 50.7, 71.02, 75.03, 100; 89/195, 196

[56] **References Cited**

U.S. PATENT DOCUMENTS

D. 228,757	10/1973	Sanford	42/100 X
D. 347,256	5/1994	Strayer et al.	D22/108
1,395,455	11/1921	Searle	42/7 X
2,115,041	4/1938	Obregon	D22/104 X
2,832,266	4/1958	Sunderland	89/195
3,011,282	12/1961	Sefried, II	42/7 X
3,150,458	9/1964	Browning	42/75

3,188,763	6/1965	Duncan	42/16
4,019,273	4/1977	Kibler et al.	42/71.02 X
4,242,824	1/1981	Pachmayr et al.	42/71 P
4,473,964	10/1984	Straub et al.	42/75 A
4,562,659	1/1986	Neta	42/75 C
4,630,387	12/1986	Crane et al.	42/73
4,800,665	1/1989	Schumaker	42/71.02
5,293,708	3/1994	Strayer et al.	42/75.03

Primary Examiner—Louis S. Zarfes
Assistant Examiner—Monica A. Hannon
Attorney, Agent, or Firm—Perman & Green

[57] **CLAIM**

The ornamental design for a combined handgrip and trigger guard for a firearm, as shown and described.

DESCRIPTION

FIG. 1 is a perspective left side, rear and top view of a combined handgrip and trigger guard for a firearm showing our new design;
FIG. 2 is a left side elevational view thereof;
FIG. 3 is a top plan view thereof;
FIG. 4 is a front elevational view thereof;
FIG. 5 is a rear elevational view thereof;
FIG. 6 is a right side elevational view thereof; and,
FIG. 7 is a bottom plan view thereof.

1 Claim, 3 Drawing Sheets

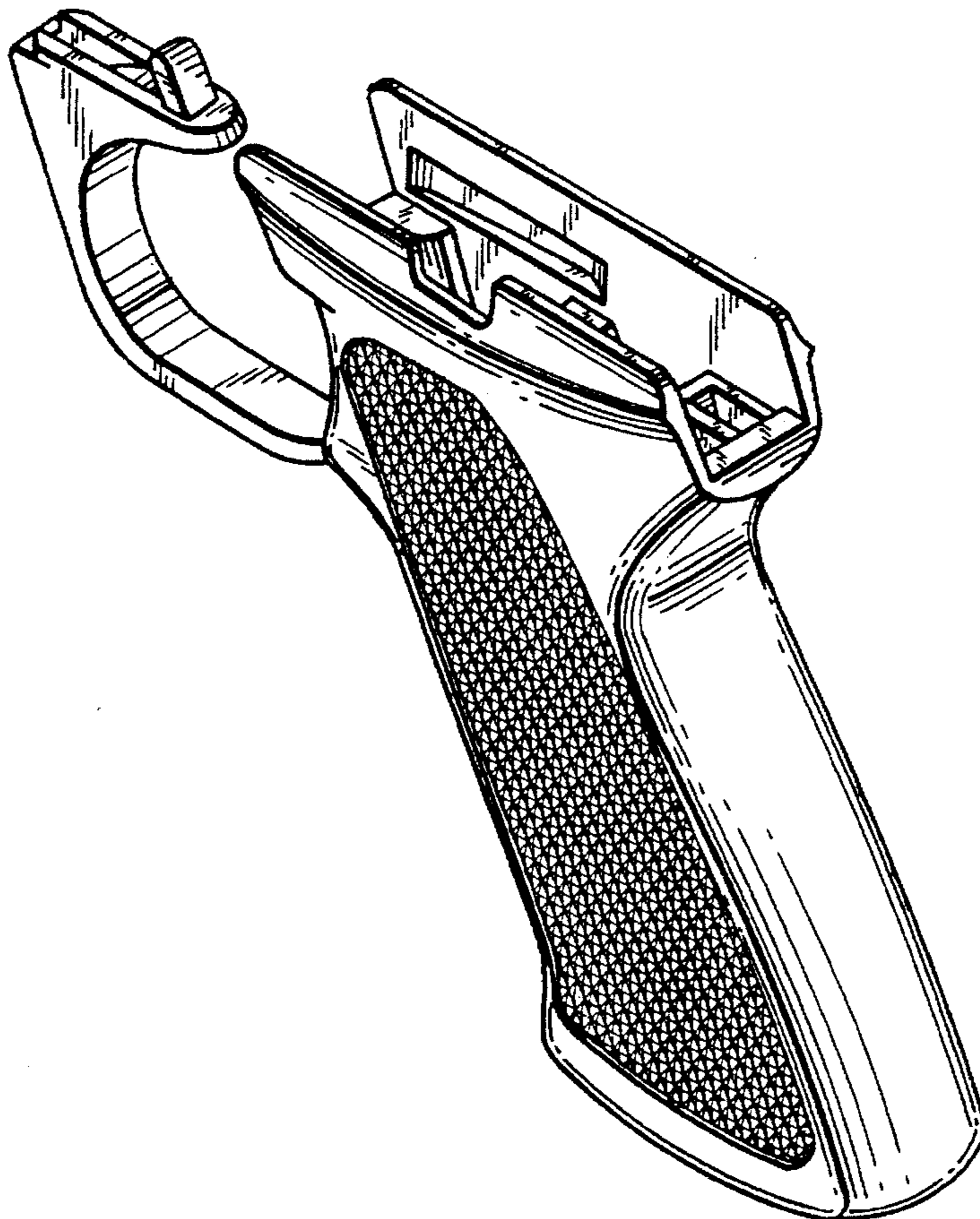


FIG. 1

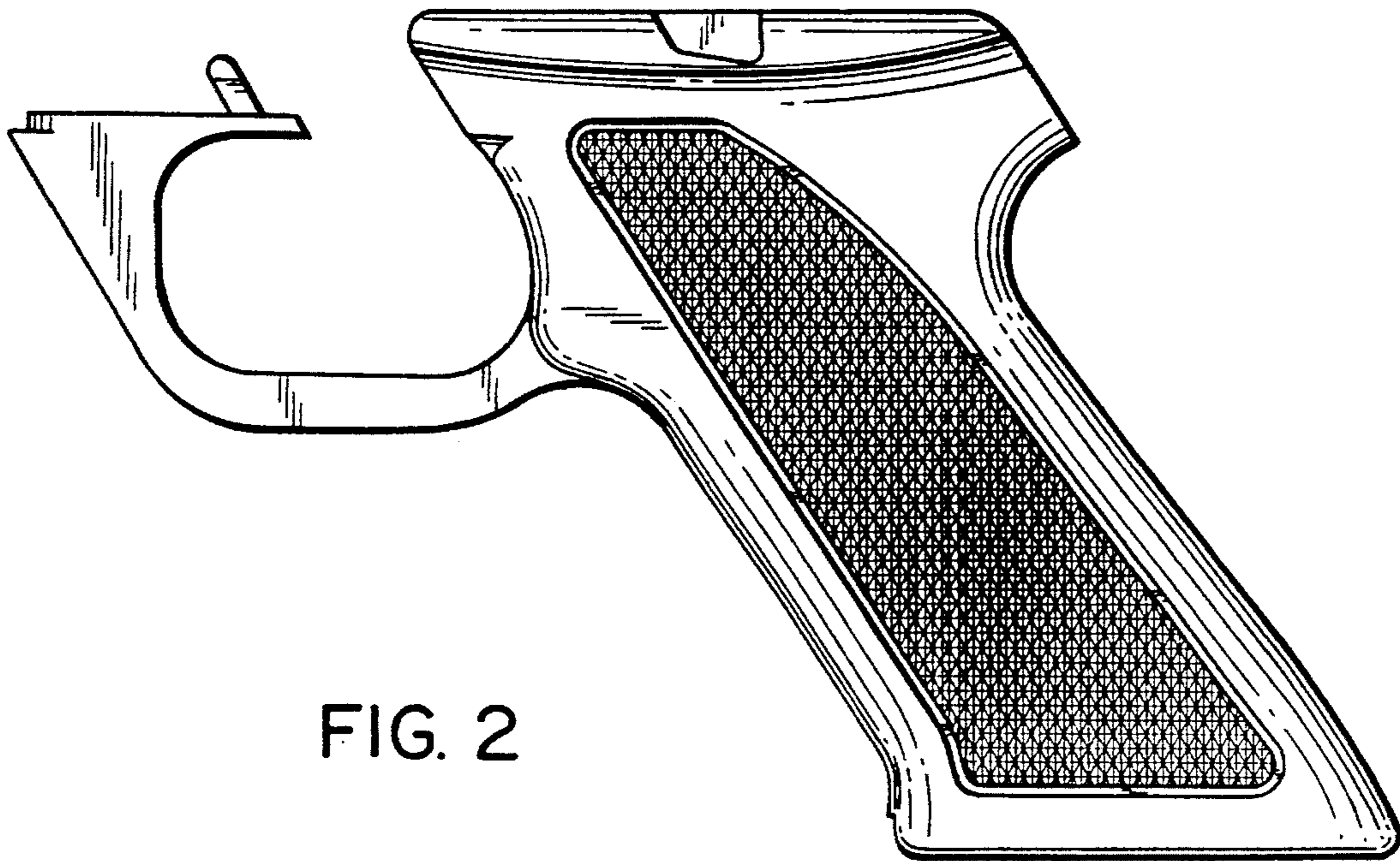
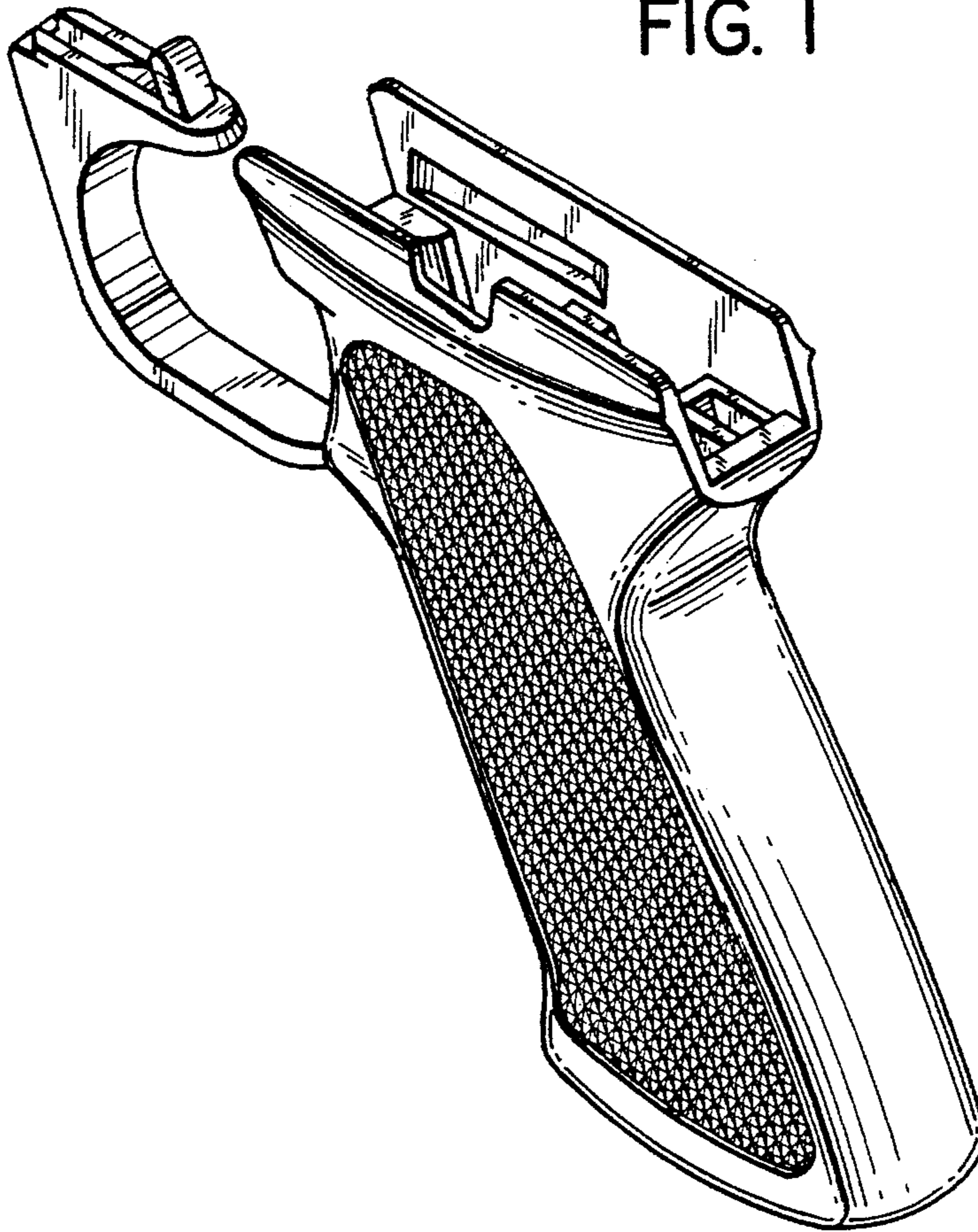


FIG. 2

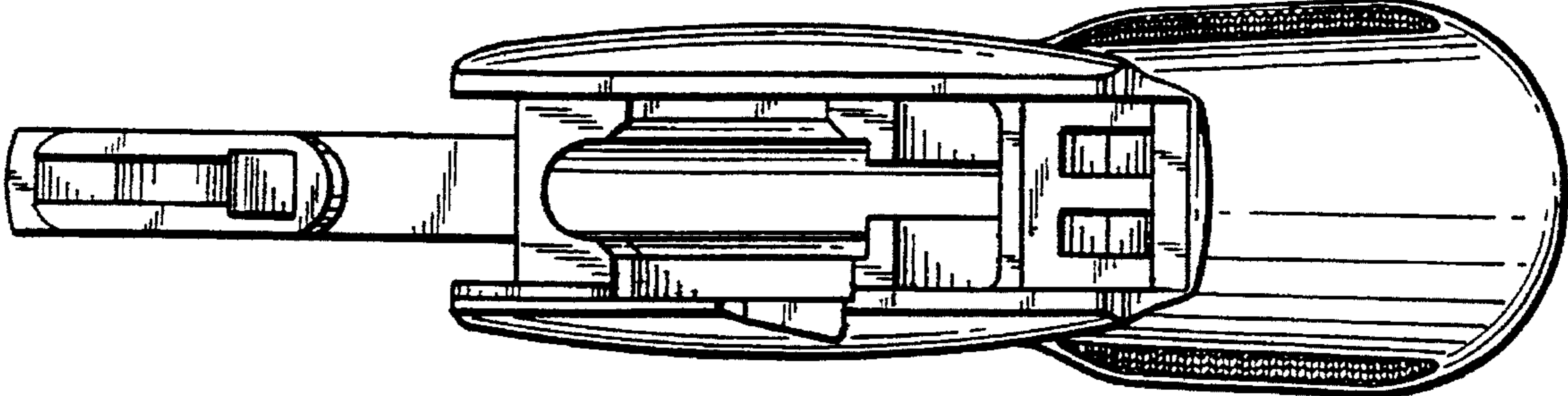


FIG. 3

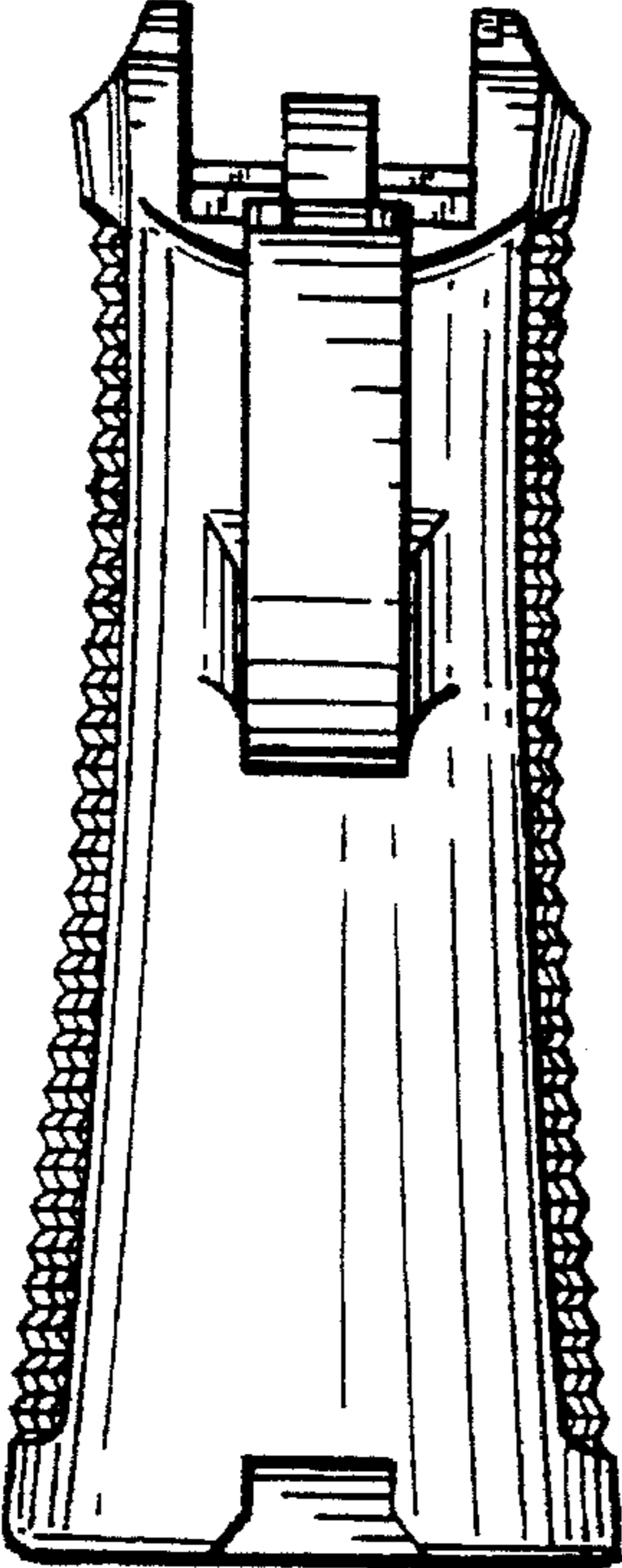


FIG. 4

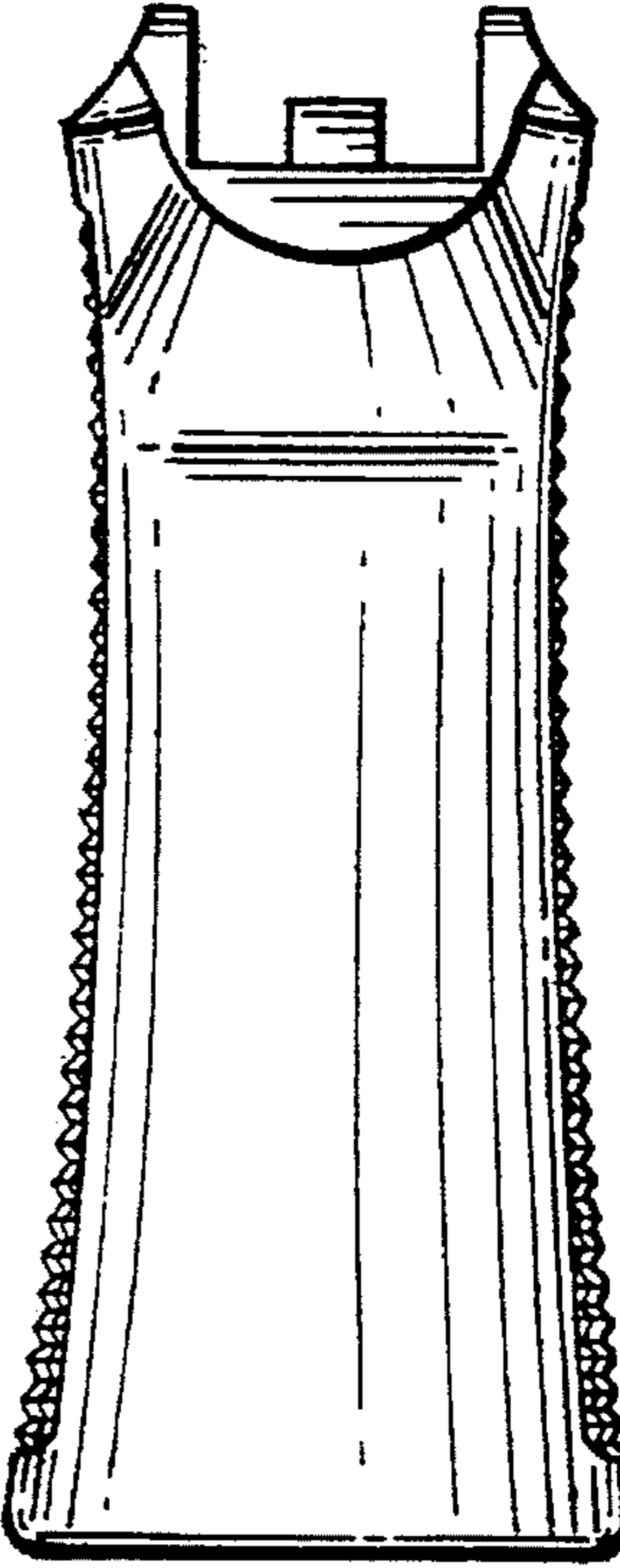


FIG. 5

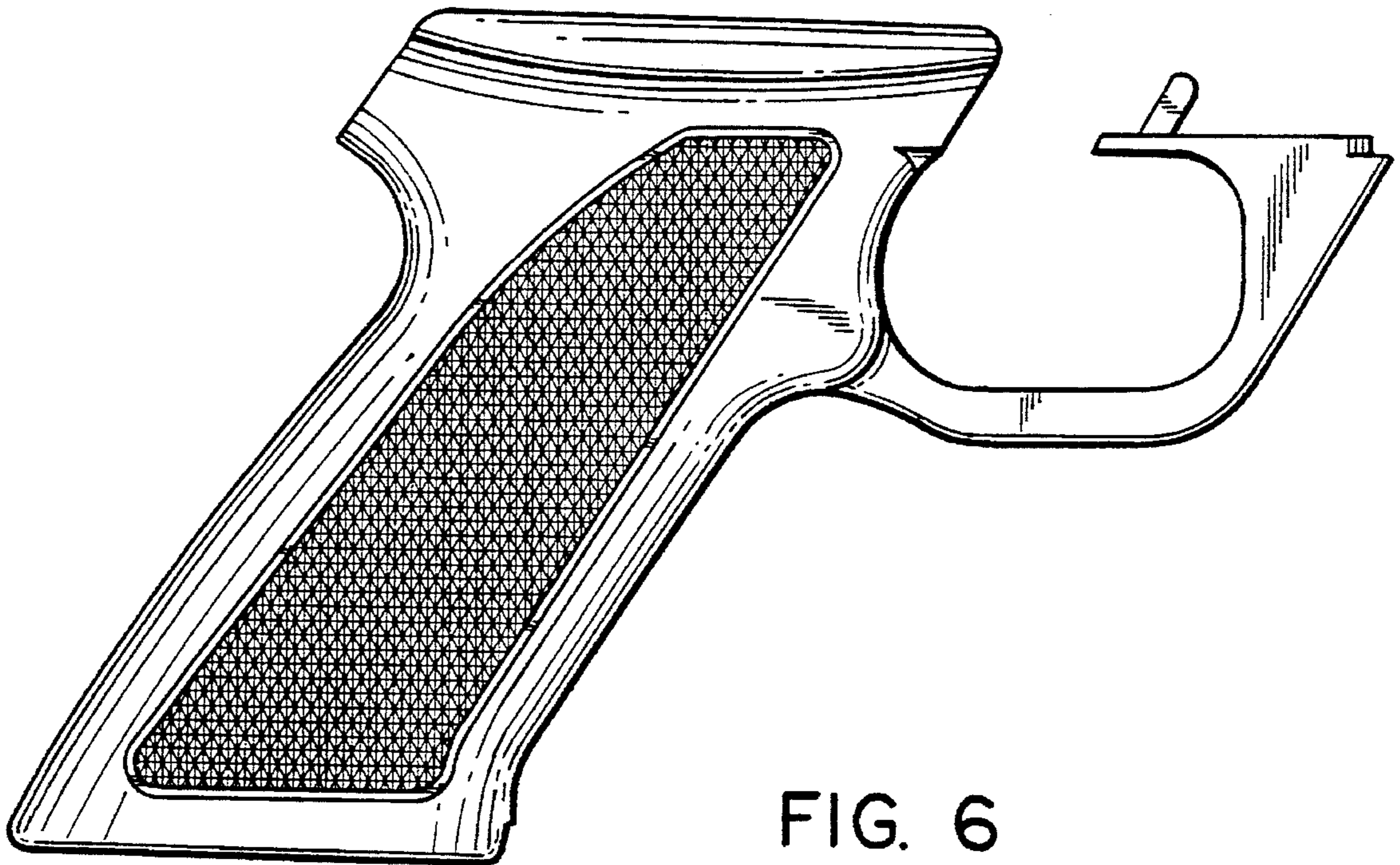


FIG. 6

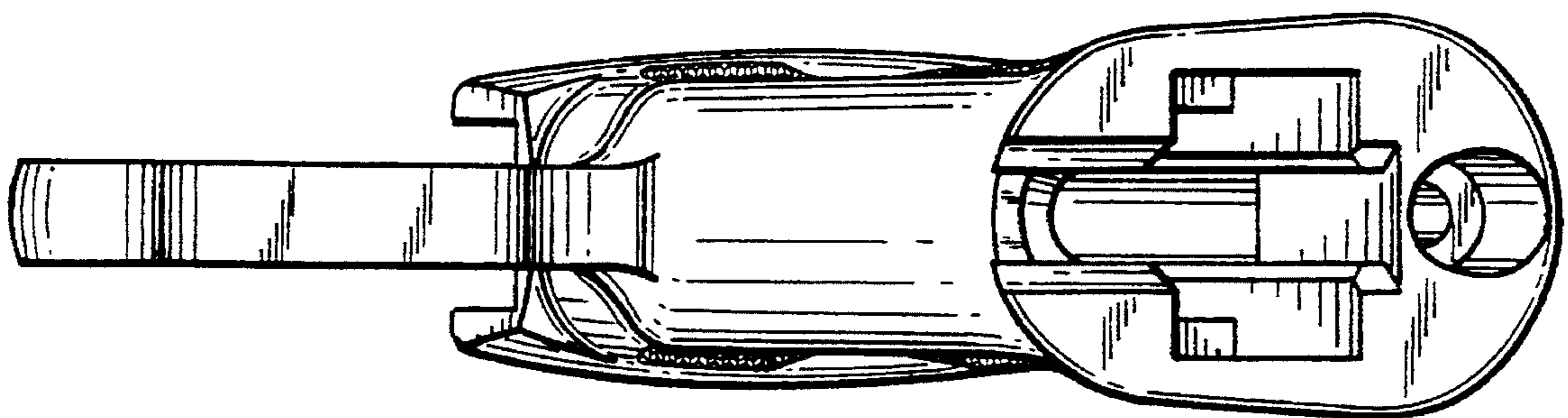


FIG. 7