



US00D366513S

United States Patent [19]

[11] **Patent Number: Des. 366,513**

Crowe et al.

[45] **Date of Patent: **Jan. 23, 1996**

[54] **CONSOLE FOR PROVIDING VIRTUAL REALITY ENVIRONMENTS**

D. 338,050 8/1993 Holmes D21/250 X
D. 338,051 8/1993 Holmes D21/250 X
D. 343,160 1/1994 La Pointe D12/307

[75] Inventors: **Bernard J. Crowe; Scott J. Bennett,** both of San Diego; **Bernard L. Brown,** La Mesa; **Robert W. Bockstahler,** Encinitas; **William S. Buchwald,** Alpine; **John J. Volanski,** San Diego; **John A. Cupit,** Del Mar; **Larry E. Brinker,** Ramona, all of Calif.

Primary Examiner—Ted Shooman
Assistant Examiner—Mitchell I. Siegel
Attorney, Agent, or Firm—Knobbe, Martens, Olson & Bear

[73] Assignee: **Greystone Technology, Inc.,** San Diego, Calif.

[57] **CLAIM**

The ornamental design for a console for providing virtual reality environments, as shown and described.

[**] Term: **14 Years**

DESCRIPTION

[21] Appl. No.: **30,428**

FIG. 1 is a perspective view of a console for providing virtual reality environments showing my new design, the broken line showing of the human figure, platform and support stand are for illustrative purposes only and forms no part of the claimed design;

[22] Filed: **Oct. 28, 1994**

[52] U.S. Cl. **D21/250; D12/307**

FIG. 2 is a right side elevational view thereof, the left side elevational view being a mirror image thereof;

[58] **Field of Search** D21/124, 128, D21/250, 76, 77, 87; D12/307, 315, 317; 273/85 R, 856, 150, 431, 434, 148 G

FIG. 3 is a front elevational view thereof;

FIG. 4 is a rear elevational view thereof;

FIG. 5 is a bottom plan view thereof; and,

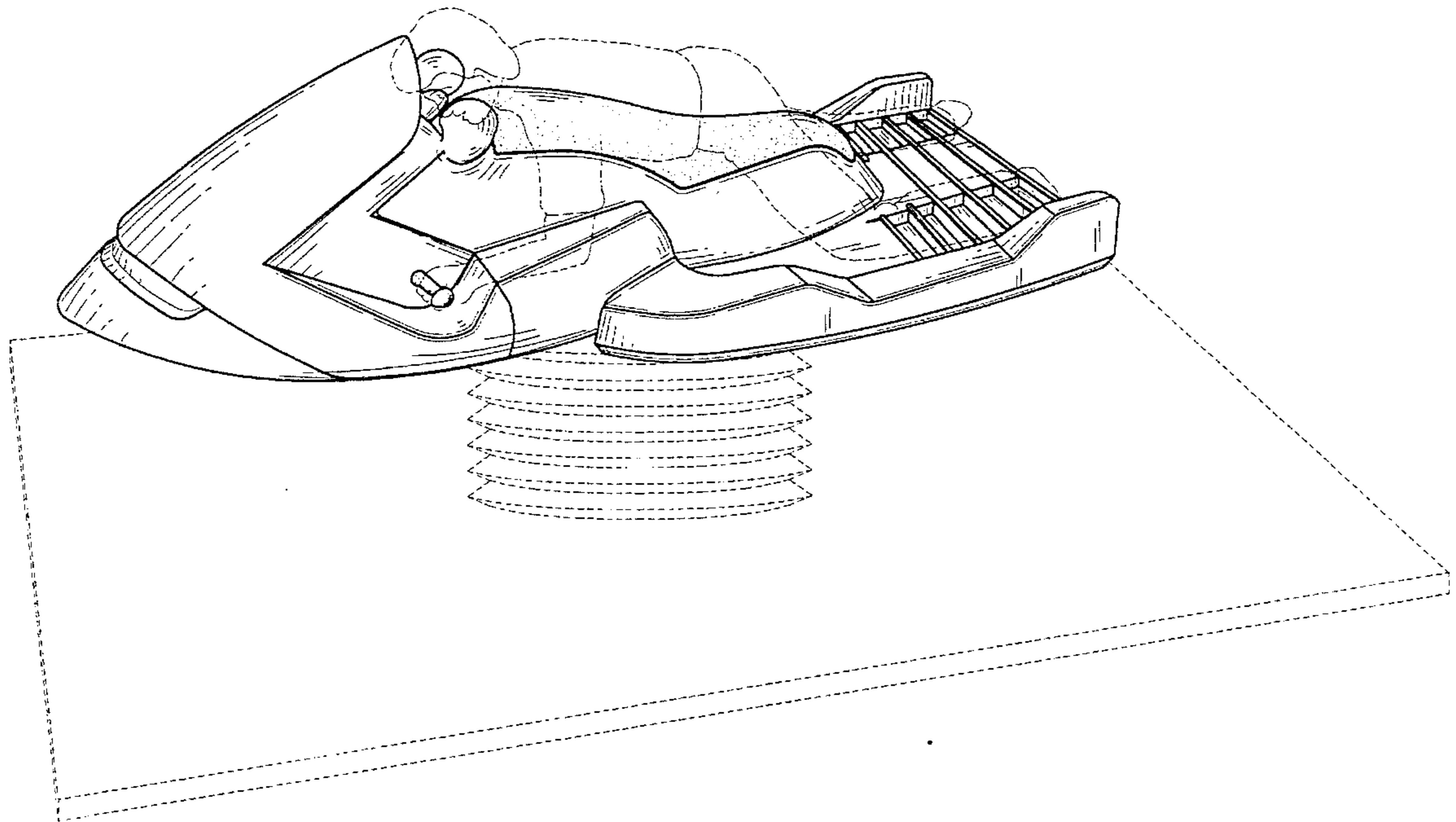
FIG. 6 is a top plan view thereof.

[56] **References Cited**

U.S. PATENT DOCUMENTS

D. 325,556 4/1992 Lapointe D12/307

1 Claim, 3 Drawing Sheets



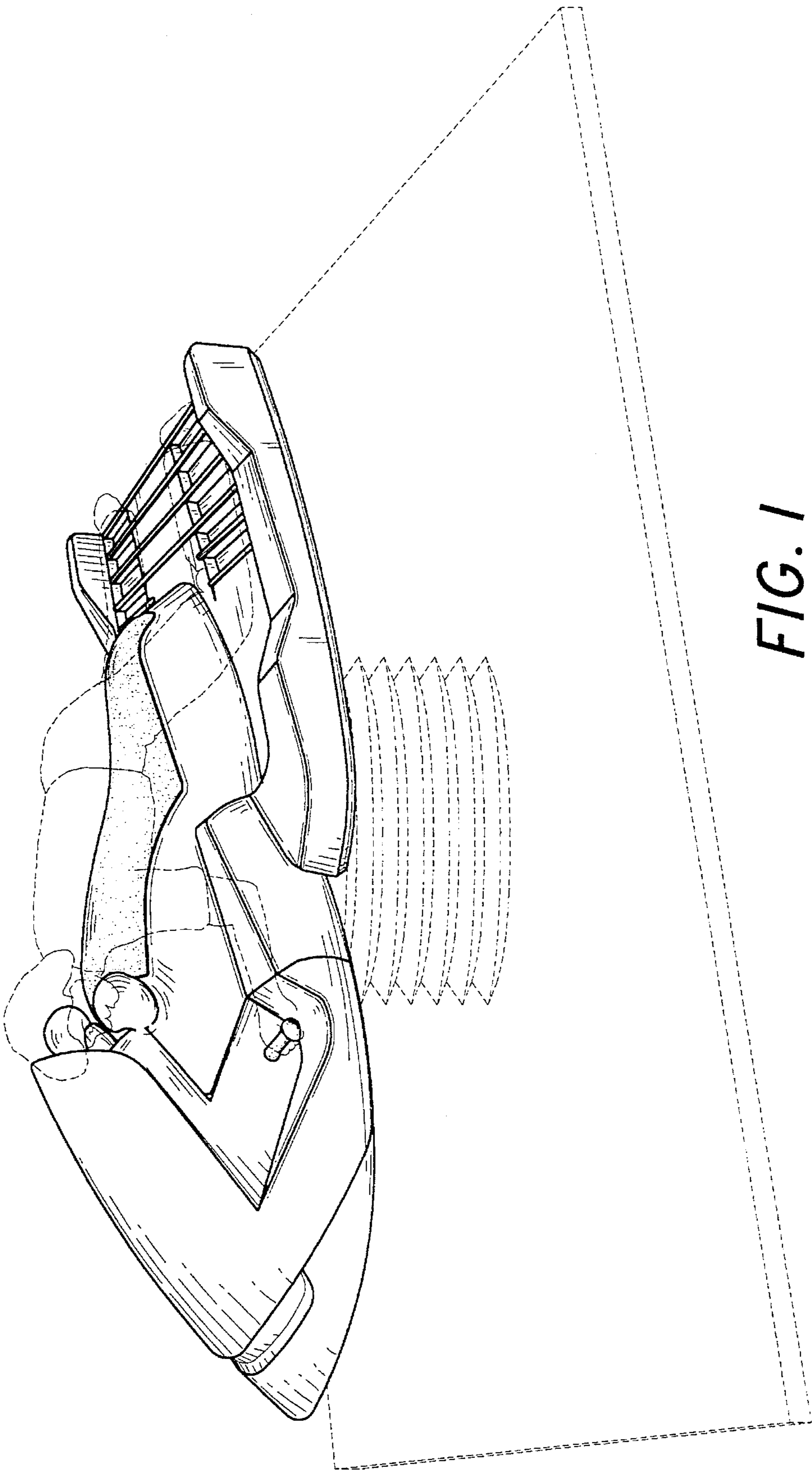


FIG. 1

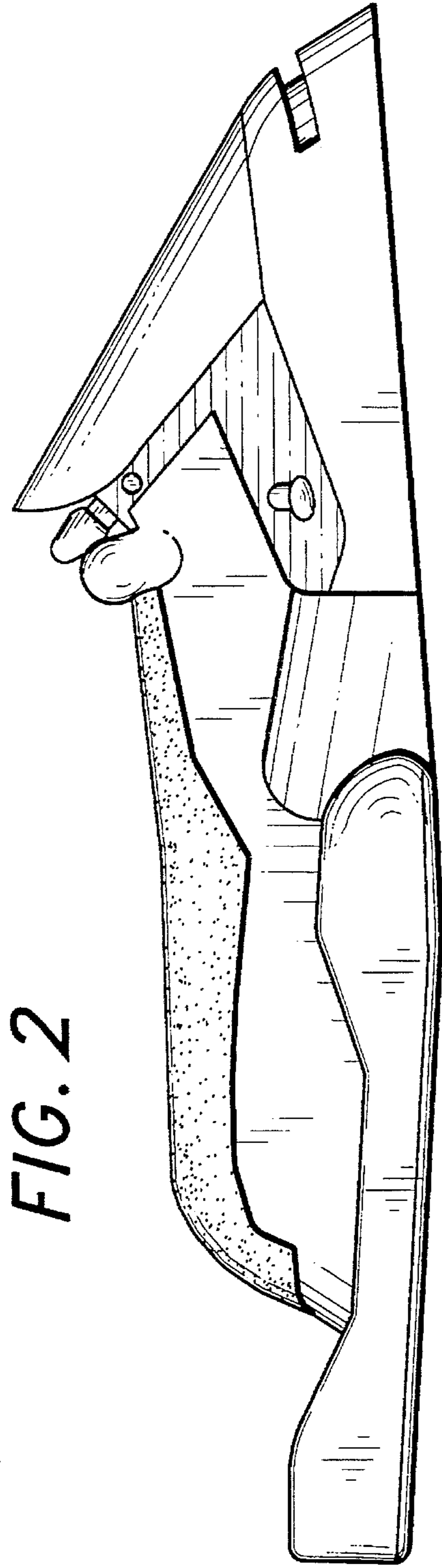


FIG. 2

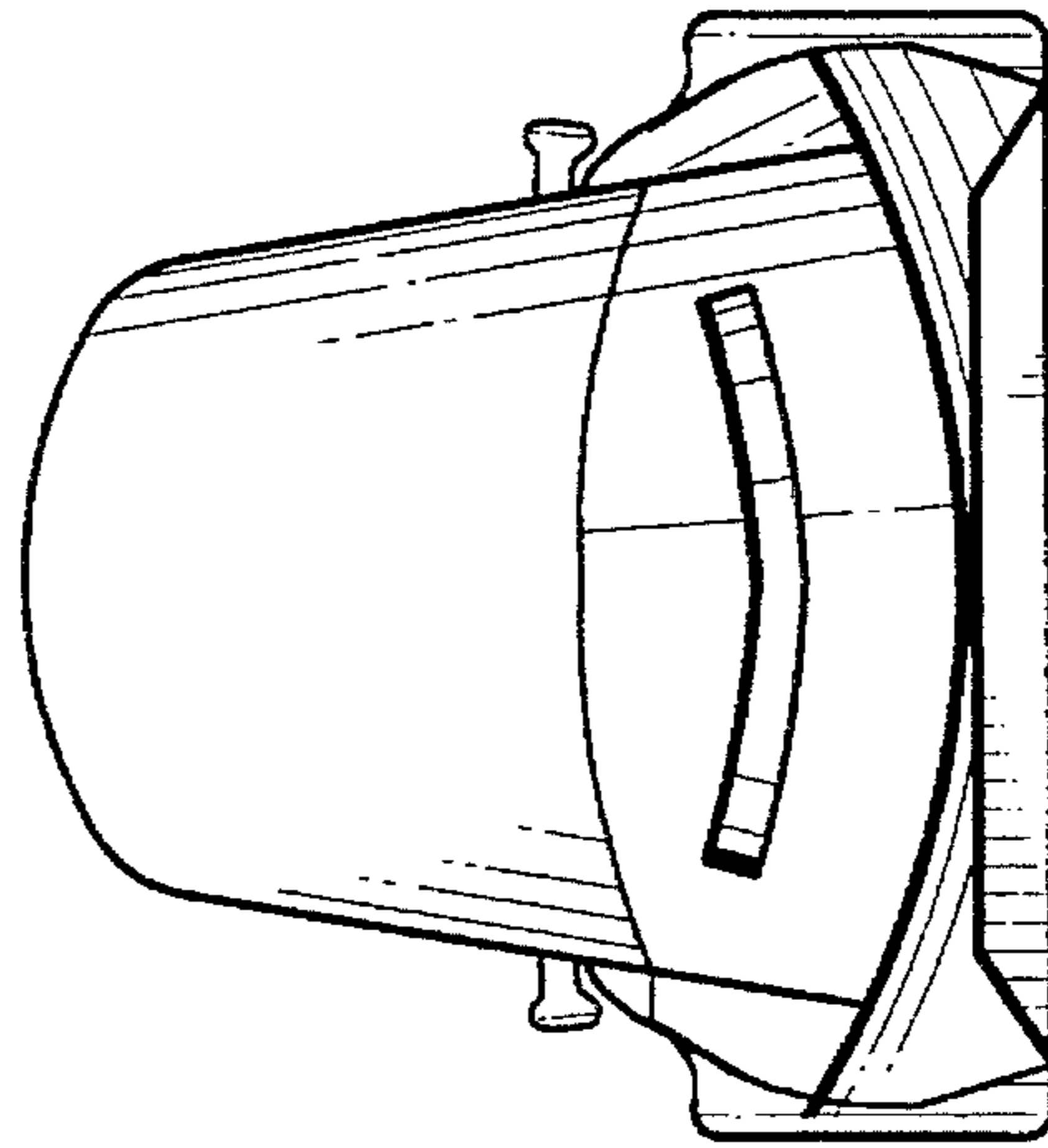


FIG. 3

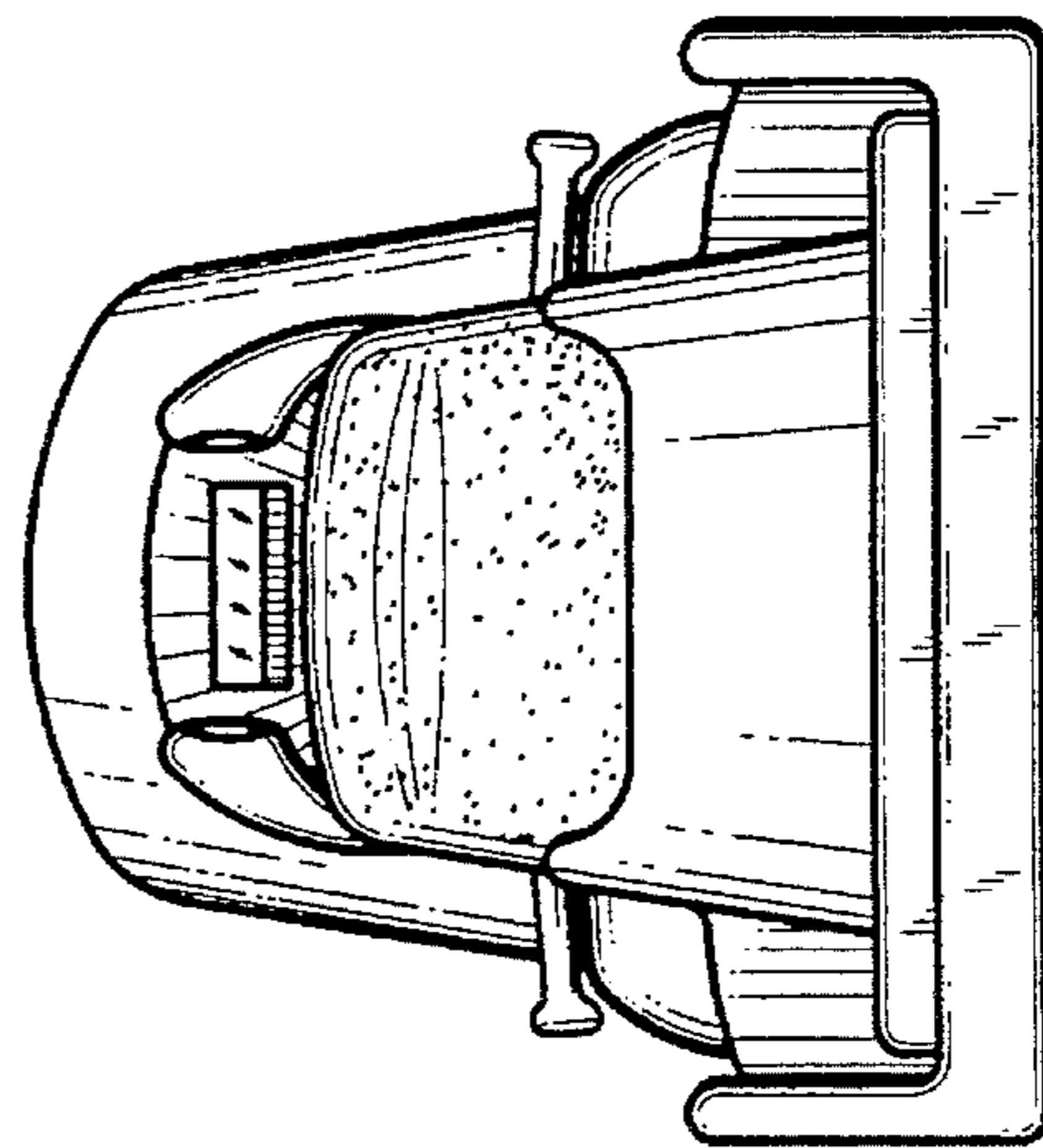


FIG. 4

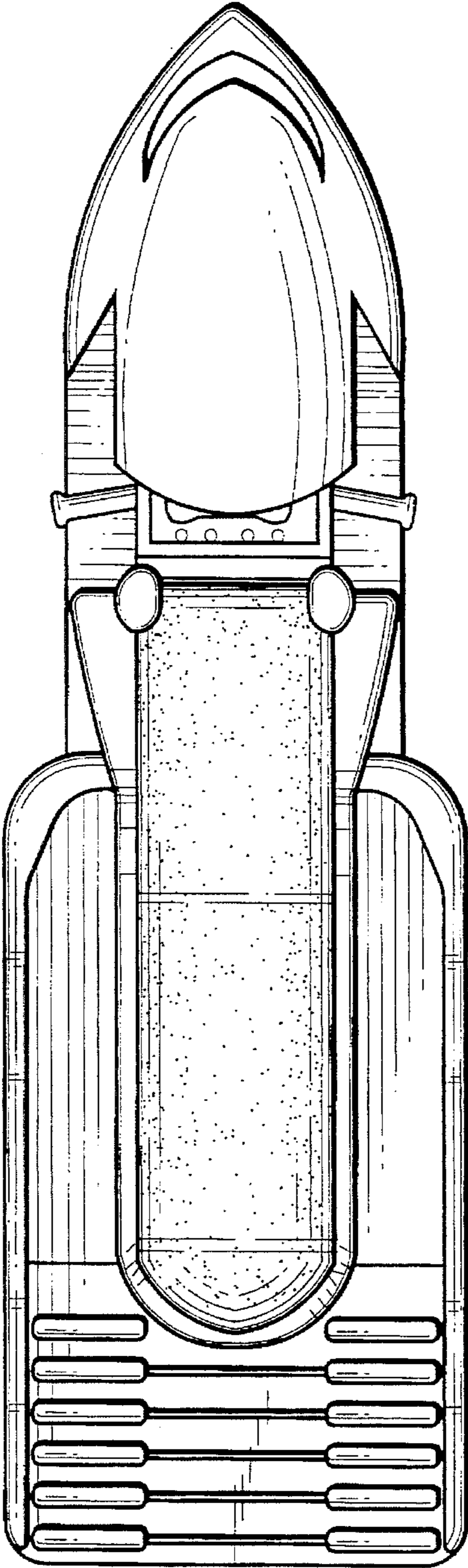


FIG. 5

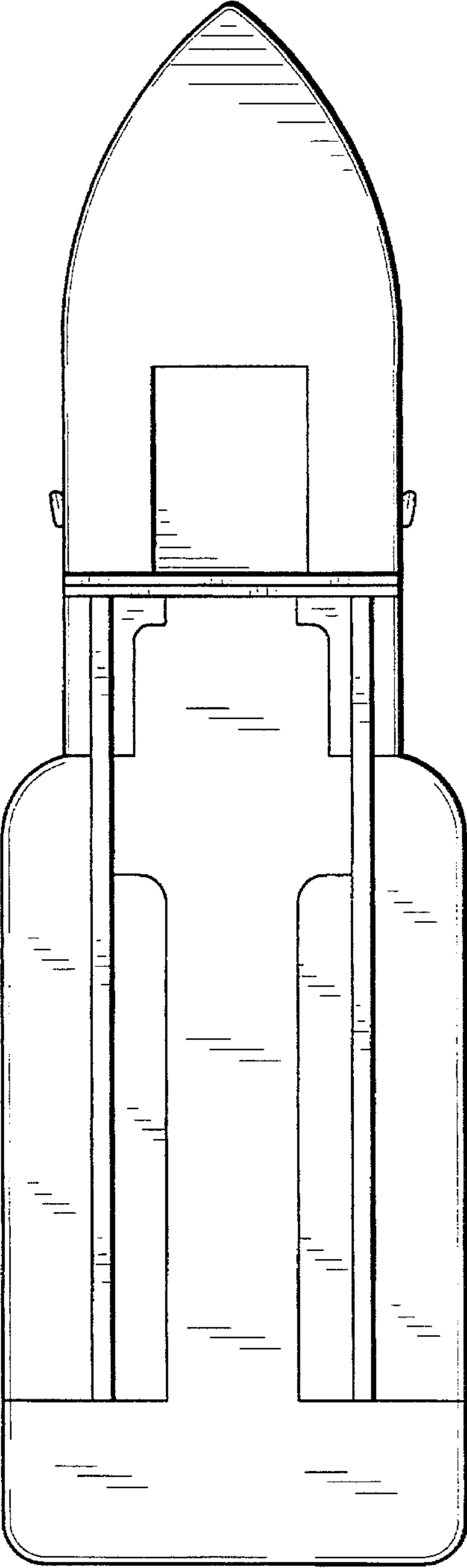


FIG. 6