



US00D366507S

United States Patent [19]
van Nimwegen et al.

[11] **Patent Number: Des. 366,507**

[45] **Date of Patent: **Jan. 23, 1996**

[54] **BASKETBALL BACKBOARD**

[75] Inventors: **Edward G. van Nimwegen**, North Ogden; **Kelly Taylor**, Layton, both of Utah

[73] Assignee: **Lifetime Products, Inc.**, Clearfield, Utah

[**] Term: **14 Years**

[21] Appl. No.: **34,213**

[22] Filed: **Jan. 30, 1995**

[52] U.S. Cl. **D21/201**

[58] Field of Search **D21/201; 273/1.5 R, 273/1.5 A**

DP, *25 Years of Innovation*, Product Catalog, pp. 68-69 (1986).

Huffy Sports, *A World Full of Family Fun*, Product Catalog, pp. 4, 5 (date unknown).

Huffy Sports, *Basketball's Hottest Products This Year*, Product Catalog, pp. 25, 27 (date unknown).

Primary Examiner—Ted Shooman

Assistant Examiner—Cheri Cohen

Attorney, Agent, or Firm—Madson & Metcalf

[57] **CLAIM**

The ornamental design for a basketball backboard, as shown and described.

DESCRIPTION

FIG. 1 is a front perspective view of a basketball backboard showing our new design;

FIG. 2 is a back perspective view thereof;

FIG. 3 is a front elevation view thereof;

FIG. 4 is a back elevation view thereof;

FIG. 5 is a top plan view thereof;

FIG. 6 is a bottom plan view thereof;

FIG. 7 is a side elevation view thereof; and,

FIG. 8 is a side elevation view thereof.

[56] **References Cited**

U.S. PATENT DOCUMENTS

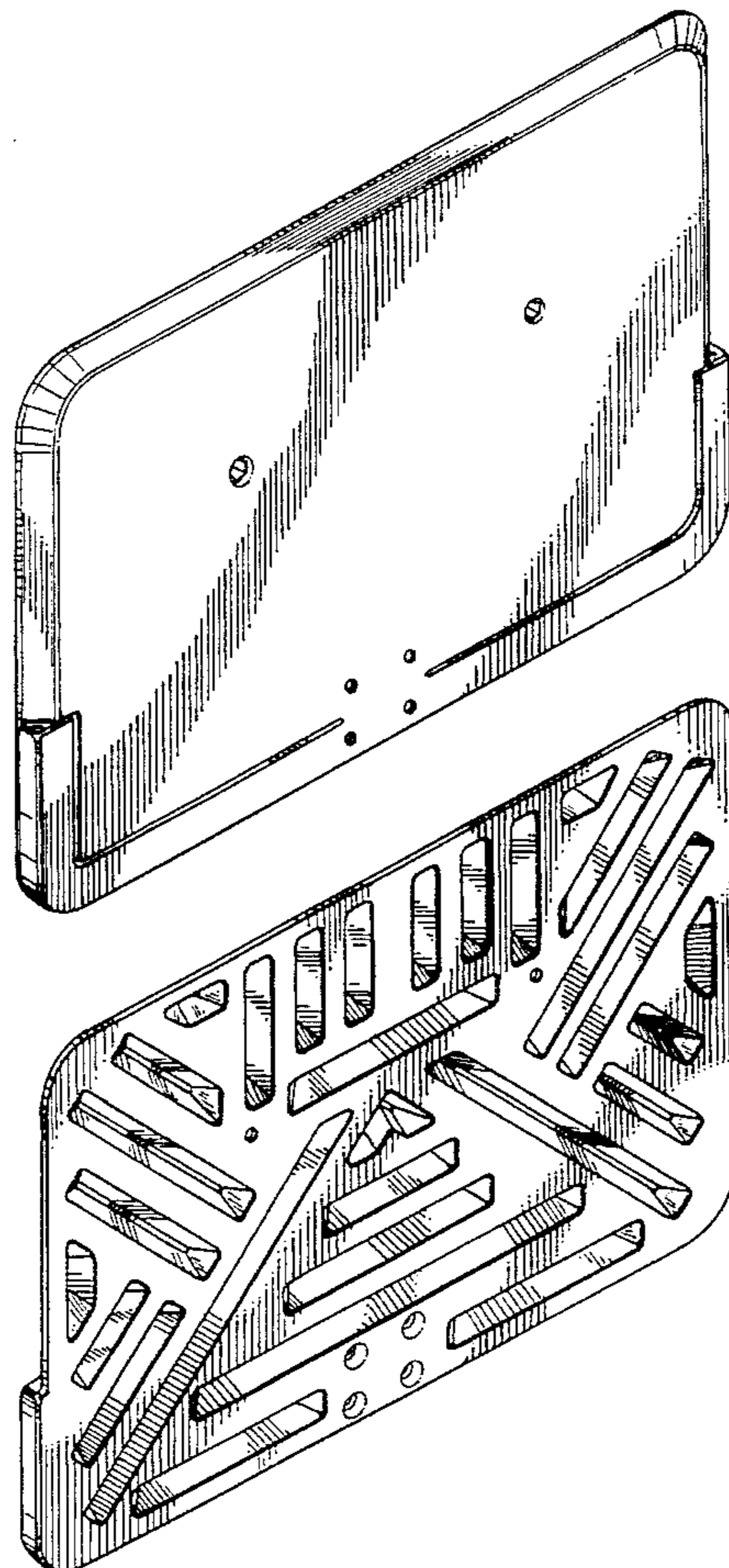
D. 235,897	7/1975	Breneman	273/1.5 R X
4,588,188	5/1986	Mahoney et al.	273/1.5 R
4,834,369	5/1989	Walsh	273/1.5 R
5,279,496	1/1994	Schroeder	273/1.5 R

OTHER PUBLICATIONS

Porter, *Celebrating 100 Years of Basketball*, pp. 6, 18, 24, 27, Product Brochure, (1991).

DP Fit for Life, Product Catalog, pp. 57, 60, 61 (1990).

1 Claim, 3 Drawing Sheets



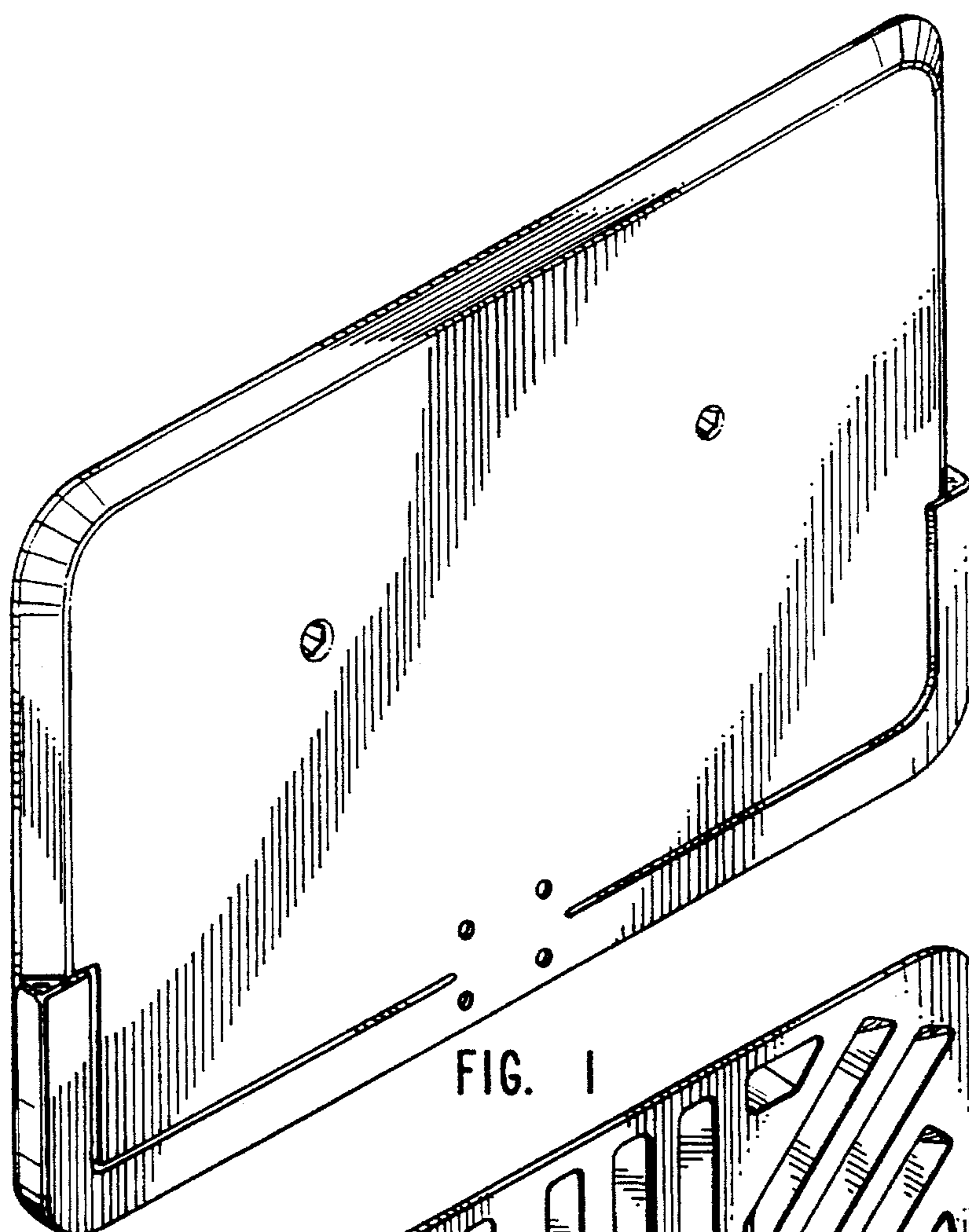


FIG. 1

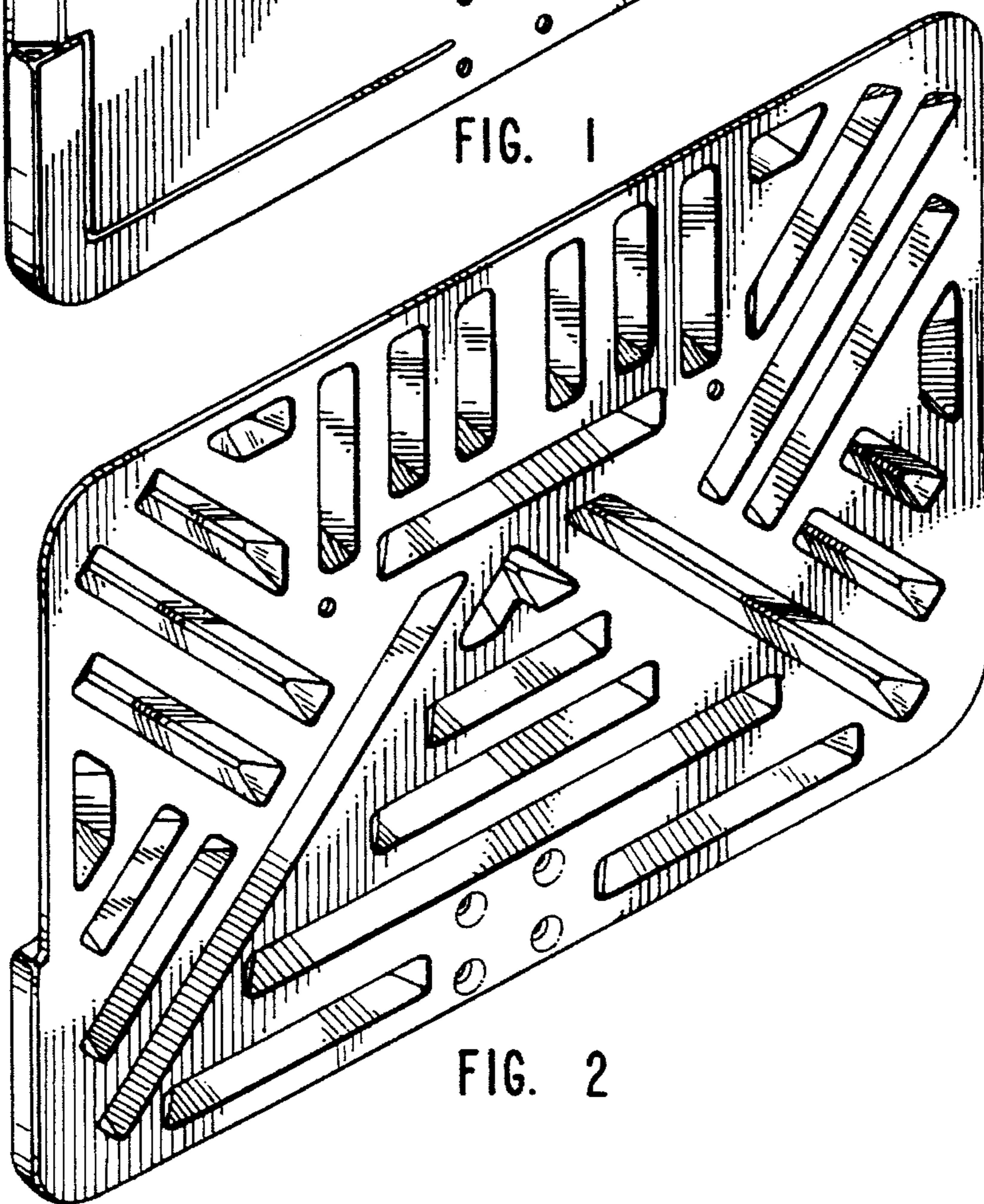


FIG. 2

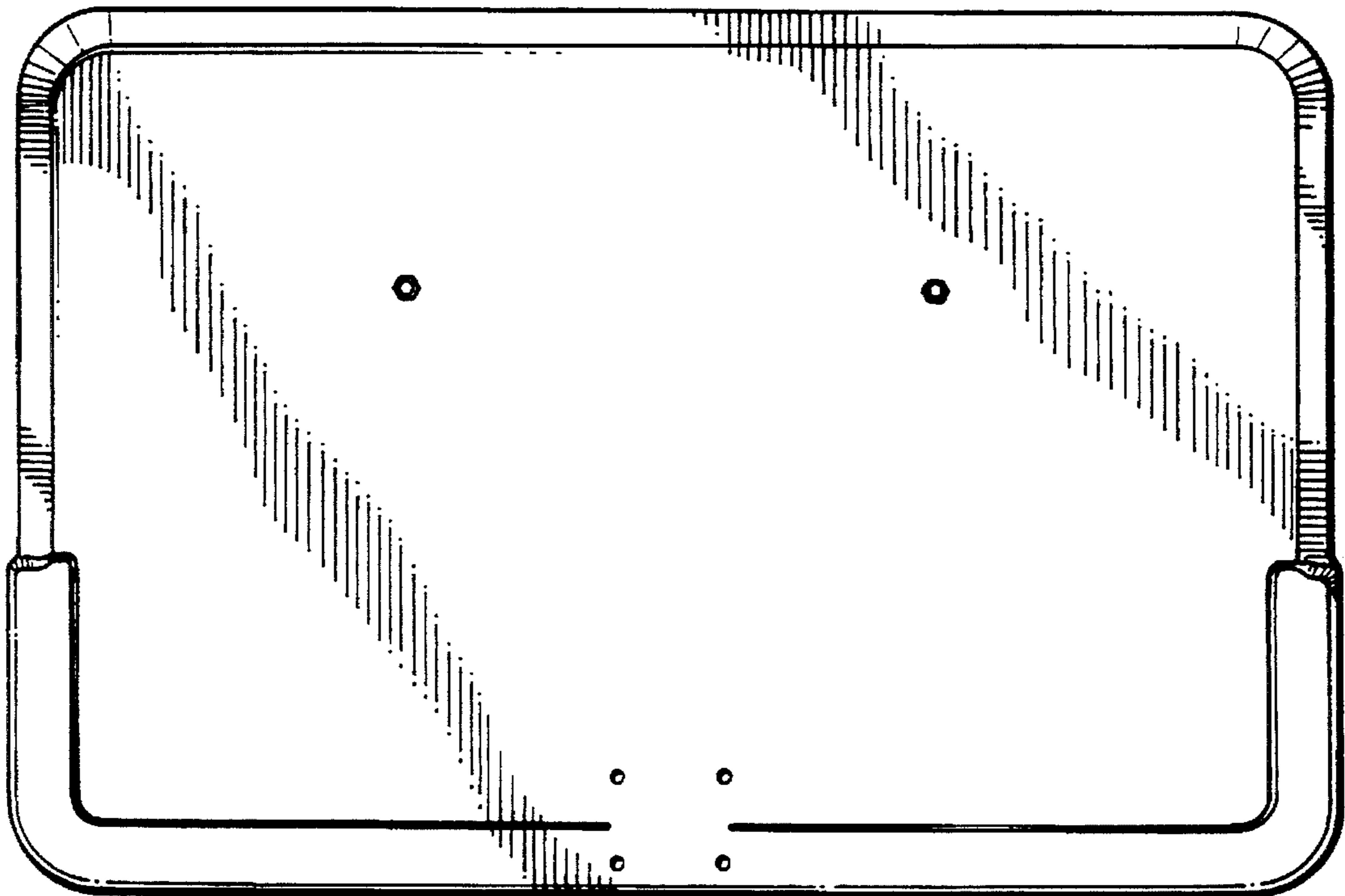


FIG. 3

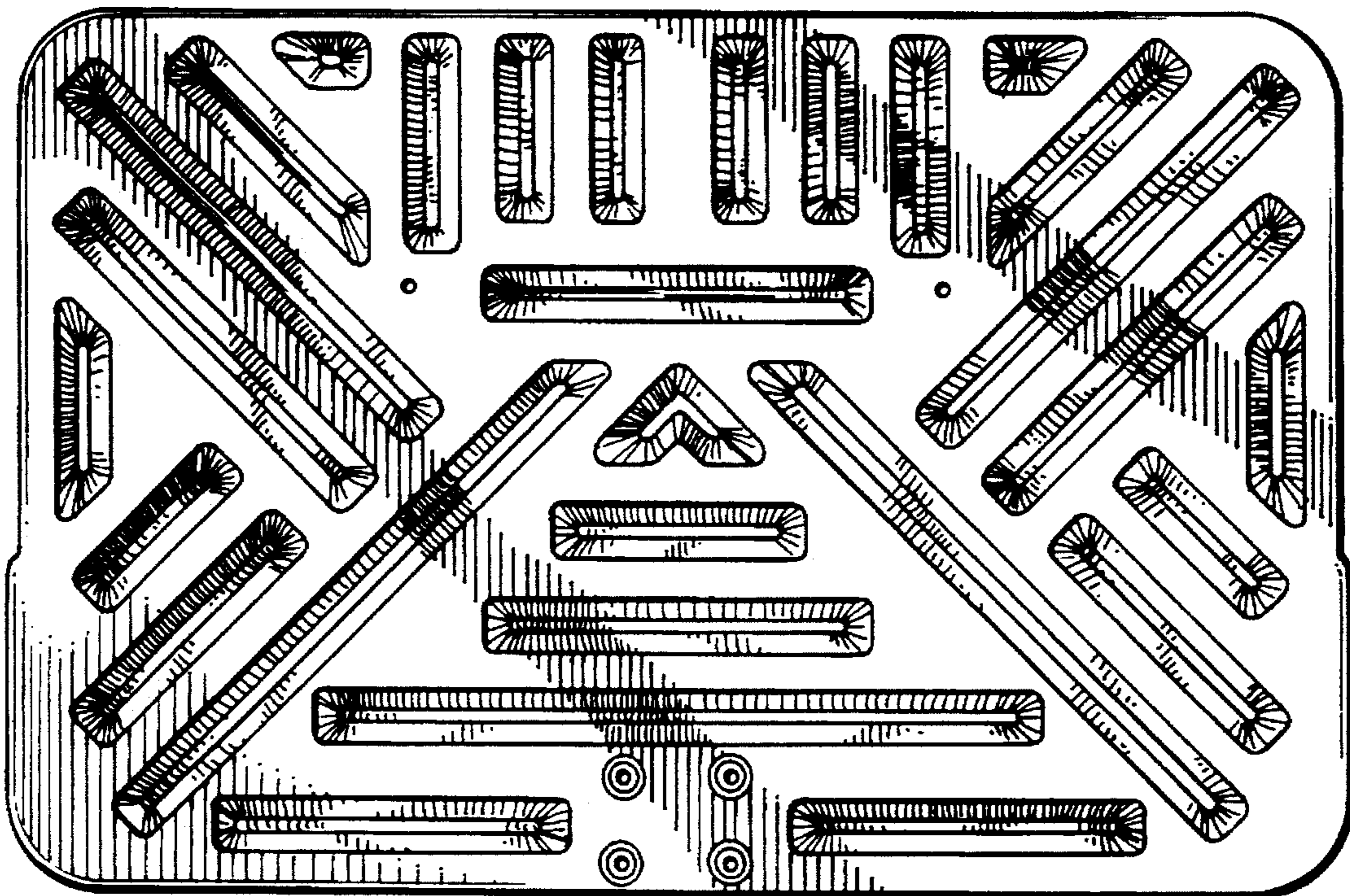


FIG. 4

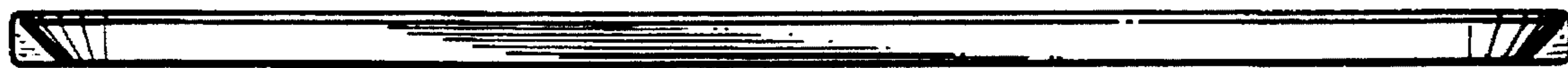


FIG. 5



FIG. 6



FIG. 7



FIG. 8