



US00D366506S

United States Patent [19]

Lindquist

[11] Patent Number: **Des. 366,506**

[45] Date of Patent: ****Jan. 23, 1996**

[54] **GAME**

[76] Inventor: **Johan Lindquist**, Björkforsvägen 32,
S-950 55 Sangis, Sweden

[**] Term: **14 Years**

[21] Appl. No.: **35,574**

[22] Filed: **Mar. 2, 1995**

[30] Foreign Application Priority Data

Sep. 6, 1994 [SE] Sweden 94-1782

[52] U.S. Cl. **D21/104; D21/107**

[58] Field of Search D21/104, 107;
273/153 R, 160, 153 S

[56] References Cited

U.S. PATENT DOCUMENTS

D. 235,075 5/1975 Baynes D21/107

D. 340,093	10/1993	Hisel et al.	D21/104
4,421,311	12/1983	Sebesteny	273/153 S
5,090,700	2/1992	Toukomies	273/153 S
5,310,183	5/1994	Glikmann	273/153 S
5,344,147	9/1994	Lee	273/153 S

Primary Examiner—Dominic Simone
Attorney, Agent, or Firm—Larson & Taylor

[57] CLAIM

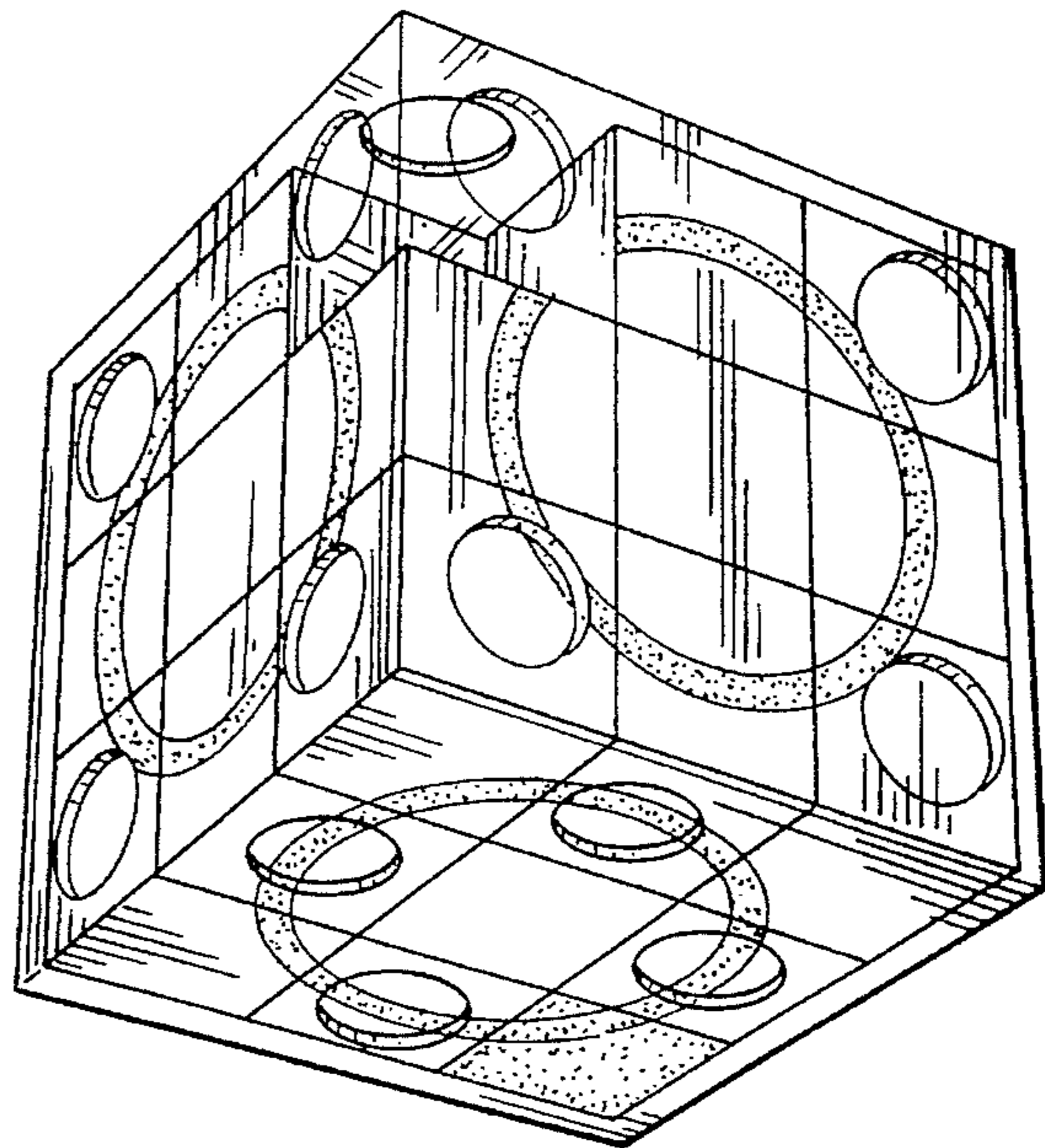
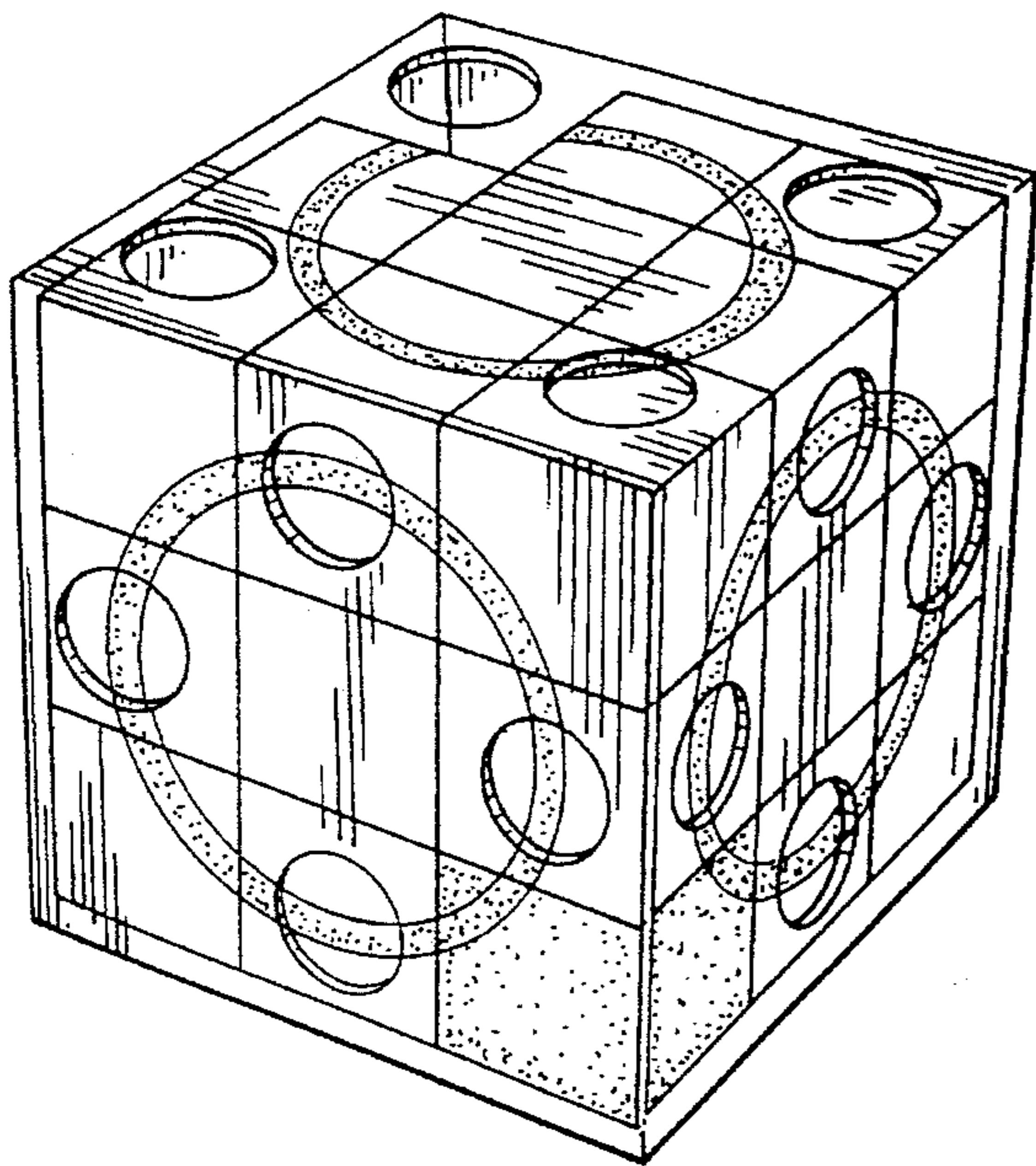
The ornamental design for a game.

DESCRIPTION

FIG. 1 is a front top perspective view of the game showing my new design; and,

FIG. 2 is a rear bottom perspective view of the game showing my new design.

1 Claim, 1 Drawing Sheet



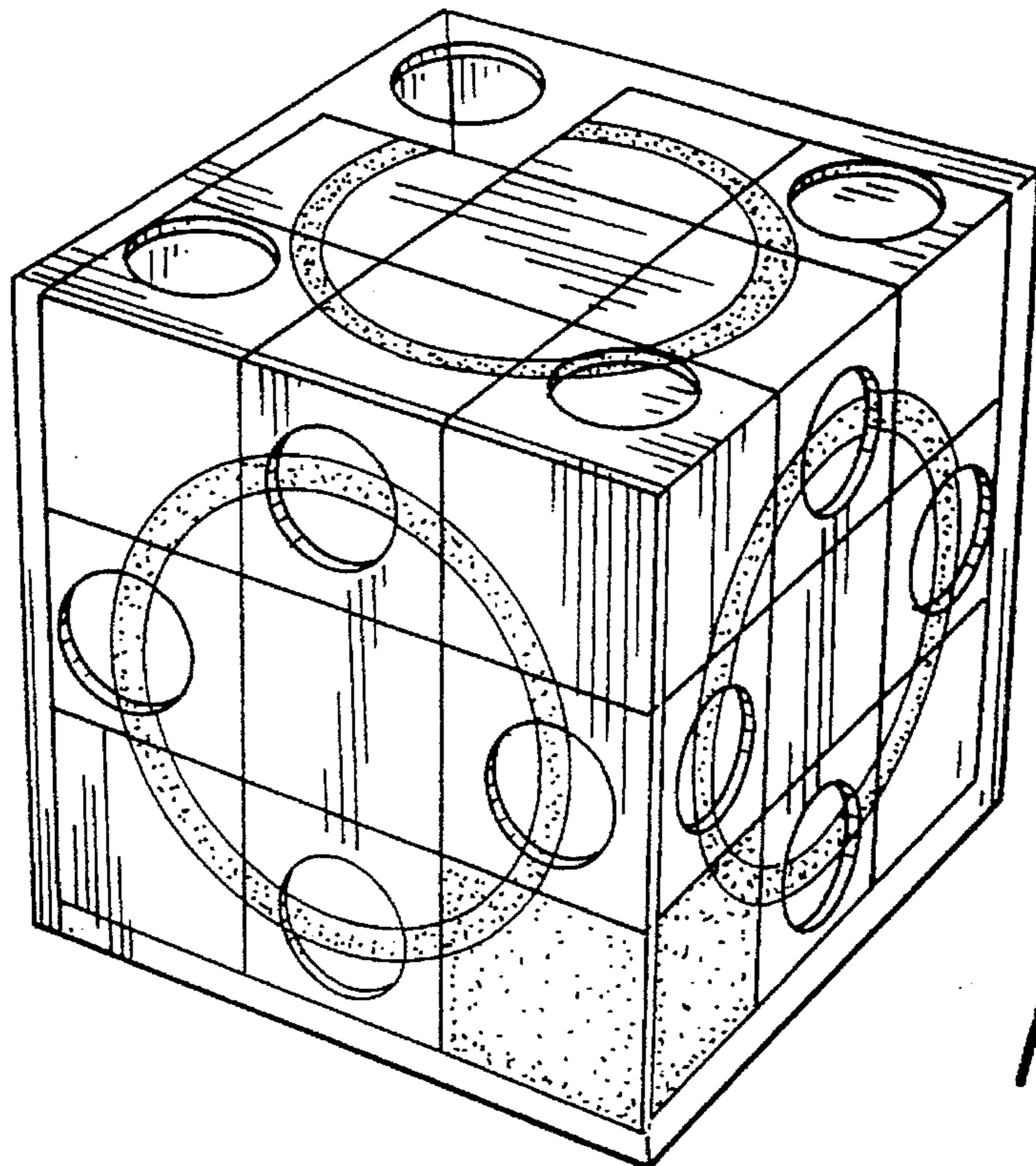


FIG. 1

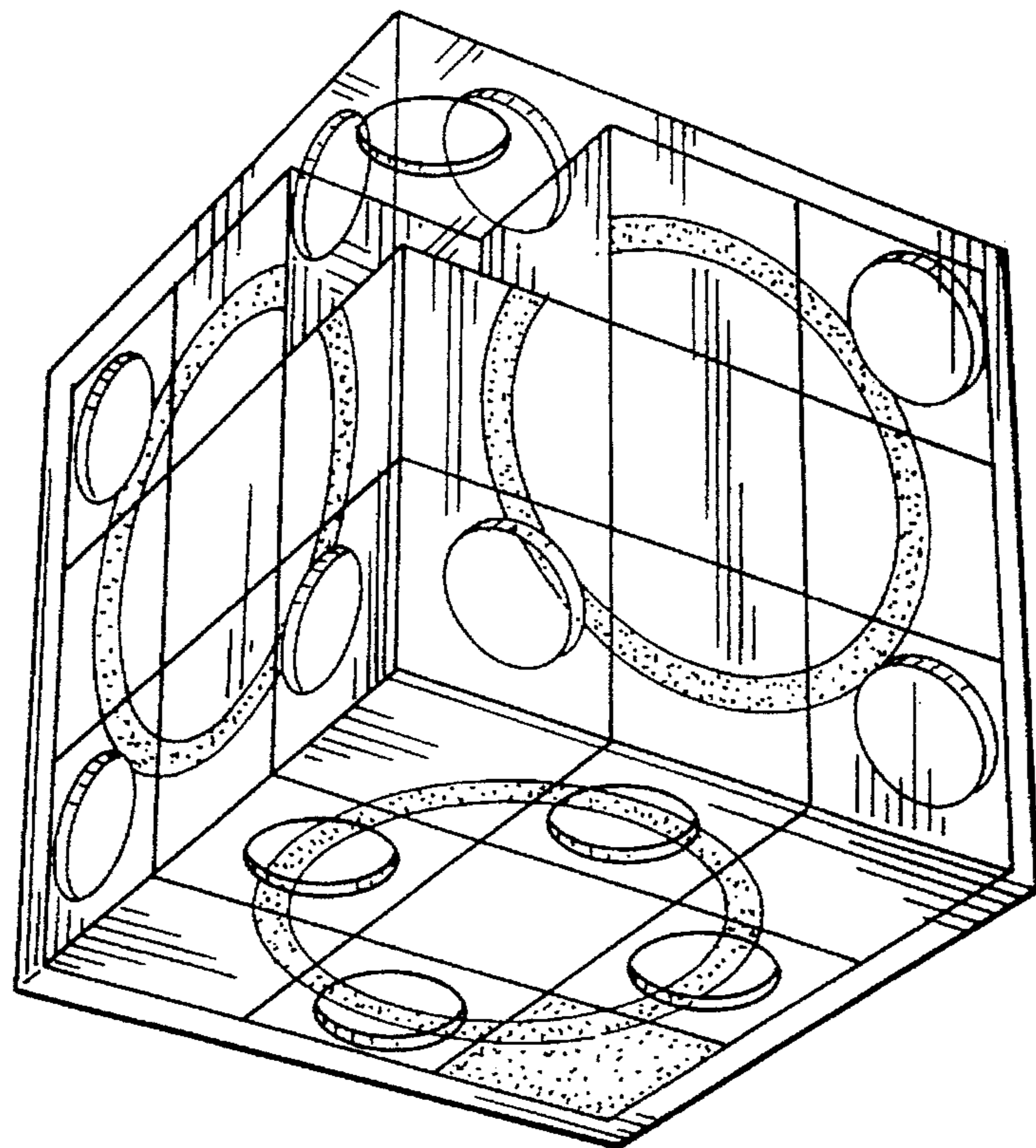


FIG. 2