



US00D366496S

**United States Patent** [19]  
**Yiu**

[11] **Patent Number: Des. 366,496**  
[45] **Date of Patent: \*\*Jan. 23, 1996**

[54] **RING BINDER STABILIZER**  
[76] Inventor: **Felix H. Yiu**, 17234 Bullock St.,  
Encino, Calif. 91316  
[\*\*] Term: **14 Years**  
[21] Appl. No.: **32,810**  
[22] Filed: **Dec. 29, 1994**  
[52] **U.S. Cl.** ..... **D19/32; D25/123**  
[58] **Field of Search** ..... D19/32, 33, 26,  
D19/27; 402/73, 76; 281/23, 29, 20, 24,  
40, 15.1; 283/63, 64; D25/119, 123, 125;  
52/712, 716.8

4,682,792 7/1987 Simmons ..... 281/45  
4,687,226 8/1987 Rose, Jr. .... 281/45  
4,793,633 12/1988 Rose, Jr. .... 281/45  
4,997,207 3/1991 Feldman ..... 281/18  
5,219,437 6/1993 Moor et al. .... 281/29

*Primary Examiner*—A. Hugo Word  
*Assistant Examiner*—Pamela Burgess  
*Attorney, Agent, or Firm*—Cislo & Thomas

[57] **CLAIM**

The ornamental design for a ring binder stabilizer, as shown and described.

**DESCRIPTION**

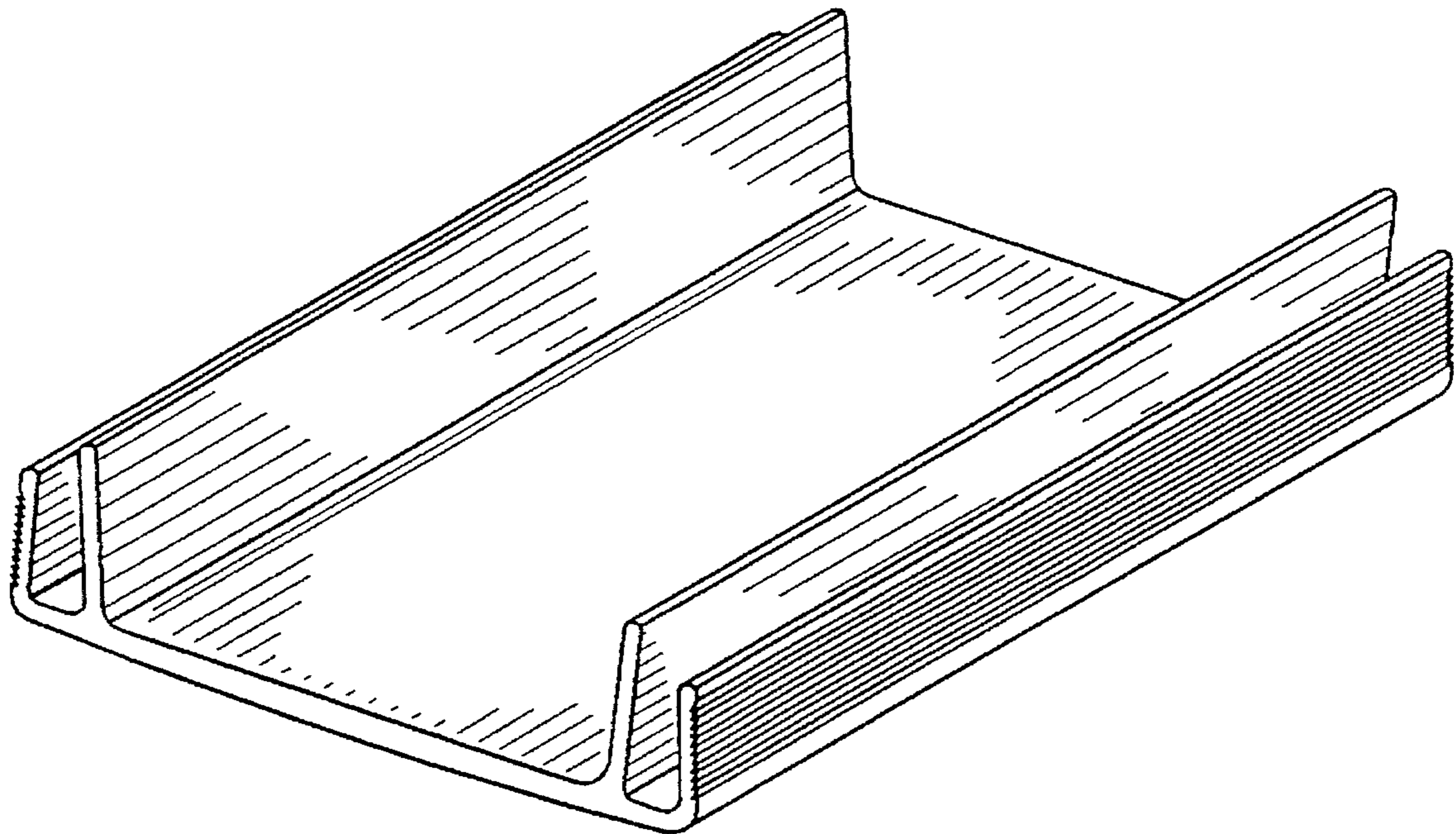
FIG. 1 is a front elevational view thereof, the back elevational view being a mirror image;  
FIG. 2 is a front view thereof, the back view being a mirror image thereof;  
FIG. 3 is a right side elevational view thereof, with the left side elevational view being a mirror image thereof;  
FIG. 4 is a bottom view thereof;  
FIG. 5 is a top view thereof;  
FIG. 6 is a perspective view of another embodiment of the device shown in FIG. 1;  
FIG. 7 is a front elevational view of the embodiment shown in FIG. 6 with the back elevational view being a mirror image thereof;  
FIG. 8 is a right side elevational view of the FIG. 6 embodiment with the left side elevational view being a mirror image thereof;  
FIG. 9 is a bottom view of the FIG. 6 embodiment; and,  
FIG. 10 is a top view of the FIG. 6 embodiment.

[56] **References Cited**

**U.S. PATENT DOCUMENTS**

D. 29,546	10/1898	Bettendorf	.....	D25/123
D. 214,236	5/1969	Orth et al.	.....	19/4
D. 249,965	10/1978	Cooper	.....	D25/125
D. 255,903	7/1980	Cable	.....	D25/125 X
D. 343,862	2/1994	Wyant	.....	19/26
763,554	6/1904	Greene	.....	D25/125 X
871,610	11/1907	Nash	.	
1,019,326	3/1912	Higgins	.....	52/712
1,021,832	4/1912	Fletcher	.	
1,197,314	9/1916	Wells	.	
1,337,612	4/1920	Miller	.	
1,602,816	10/1926	Fellows	.....	281/29
1,634,562	7/1927	Shapiro	.....	D25/125 X
3,222,769	12/1965	LePlae	.....	52/716.8 X
3,374,578	3/1968	Mesnel	.....	52/716.8 X
4,524,991	6/1985	Thomas	.....	281/20
4,569,613	2/1986	Thomas	.....	402/80

**1 Claim, 2 Drawing Sheets**



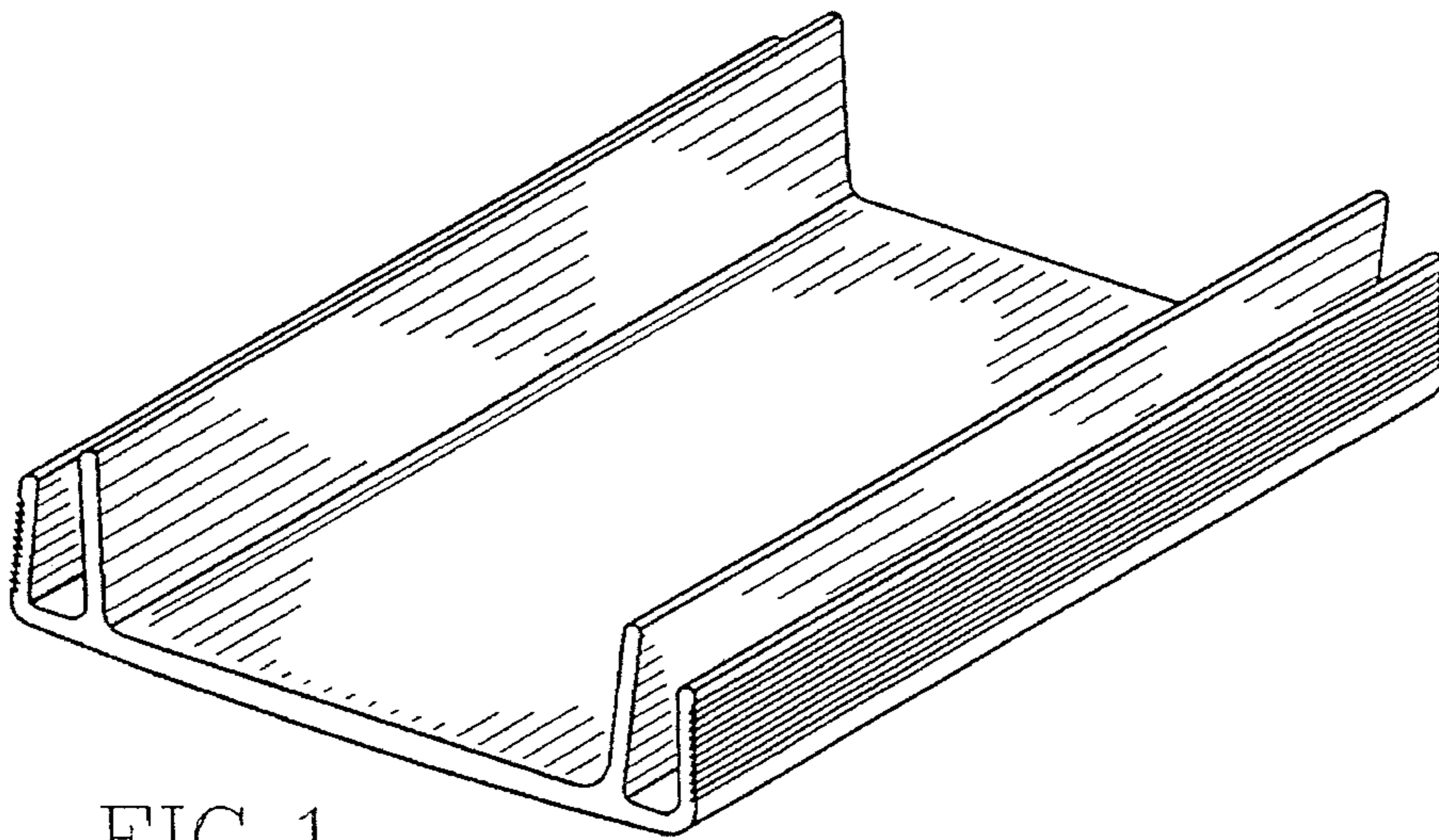


FIG. 1

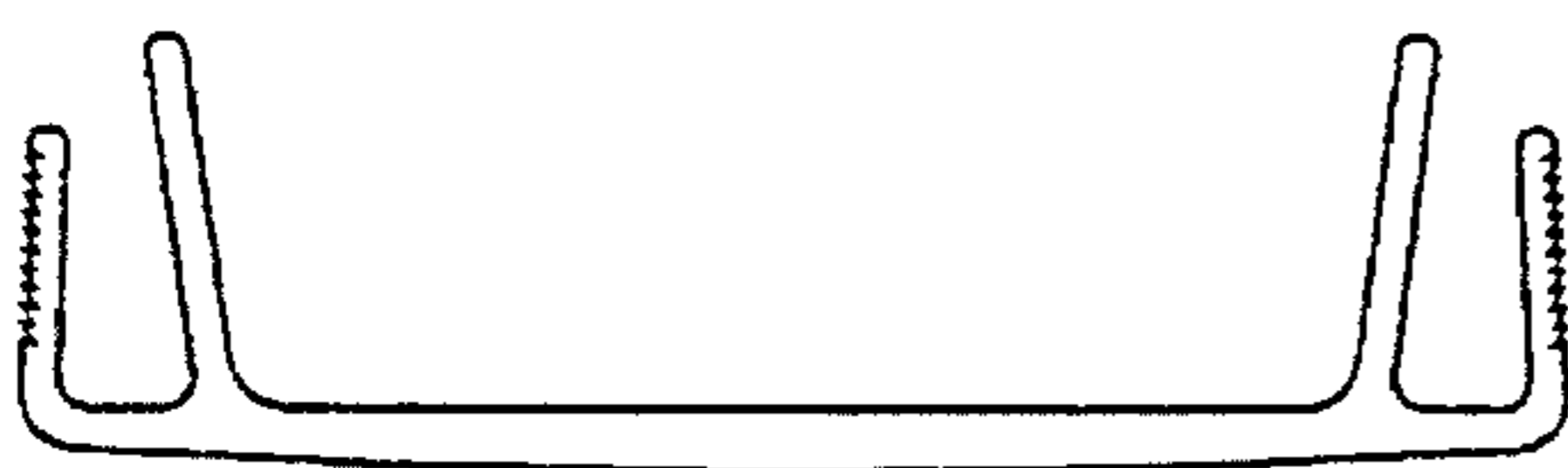


FIG. 2

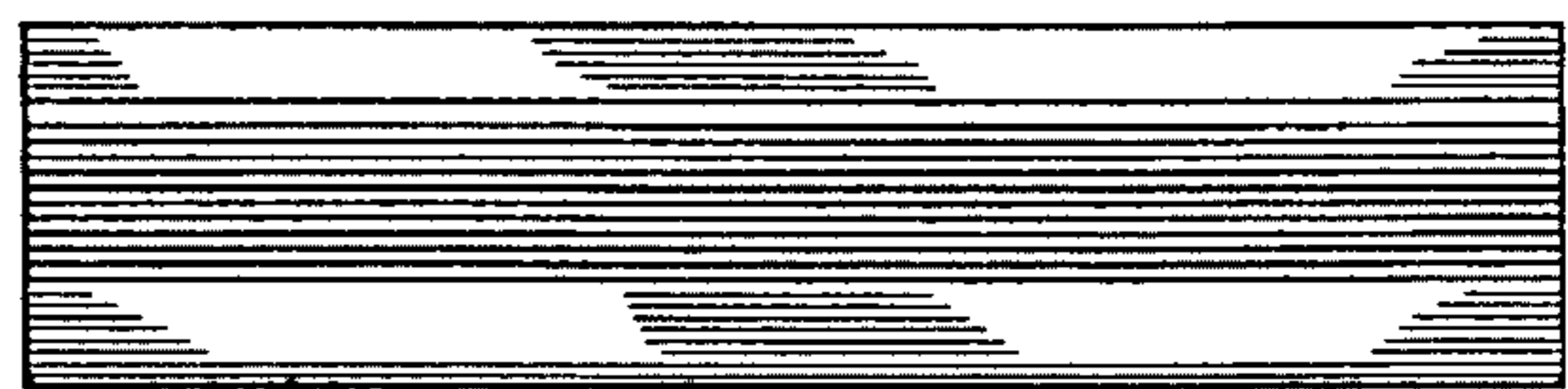


FIG. 3

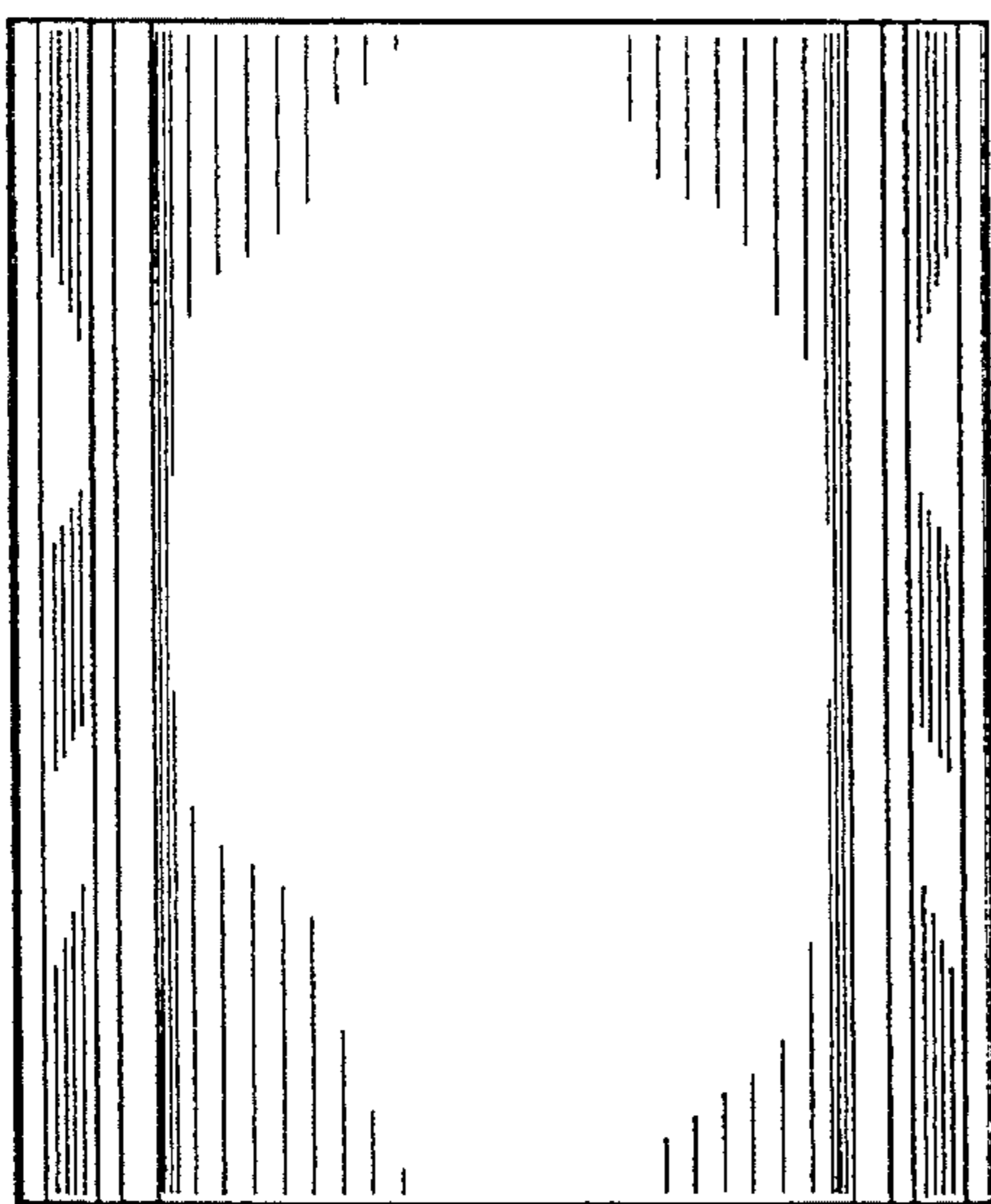


FIG. 5

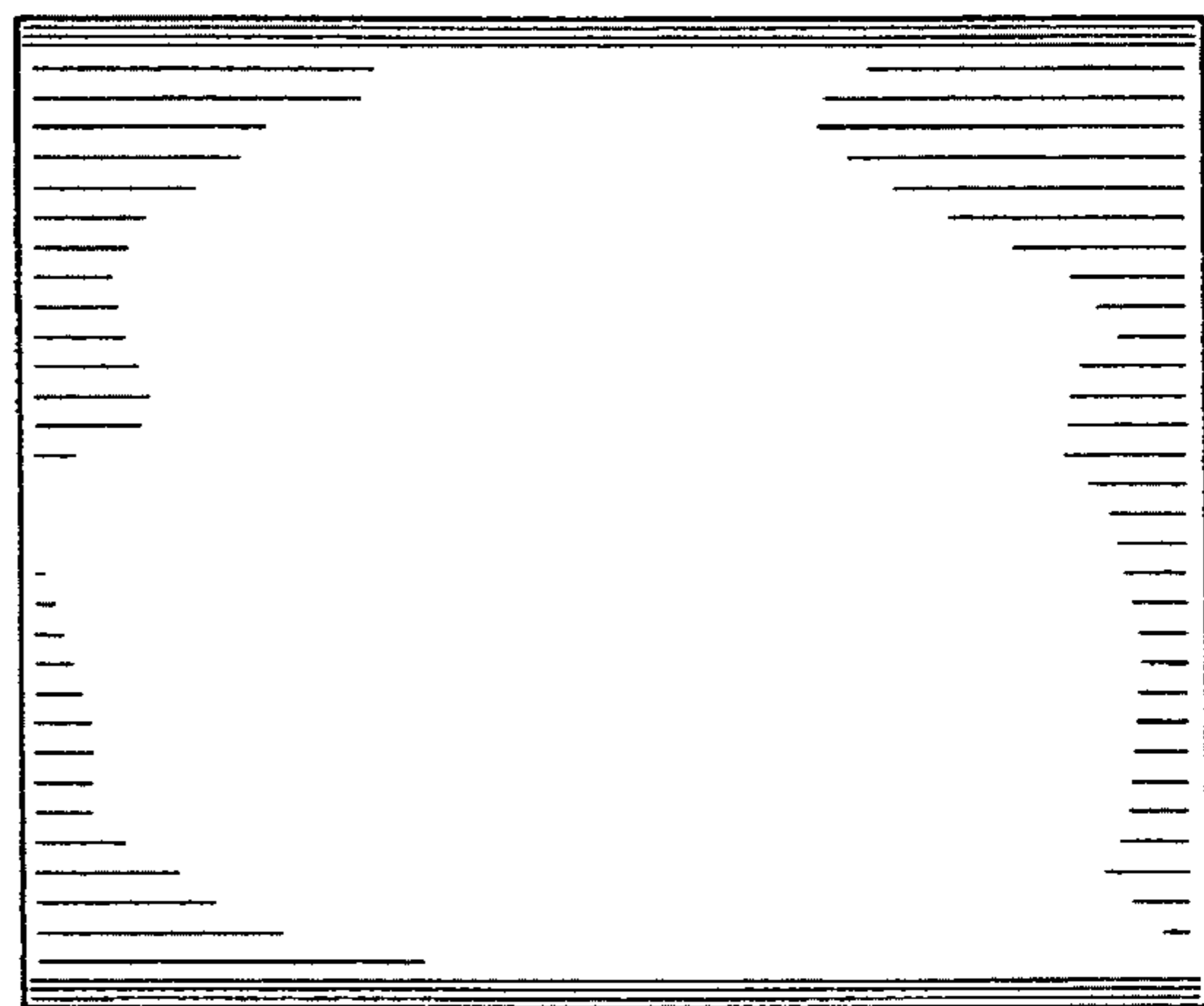


FIG. 4

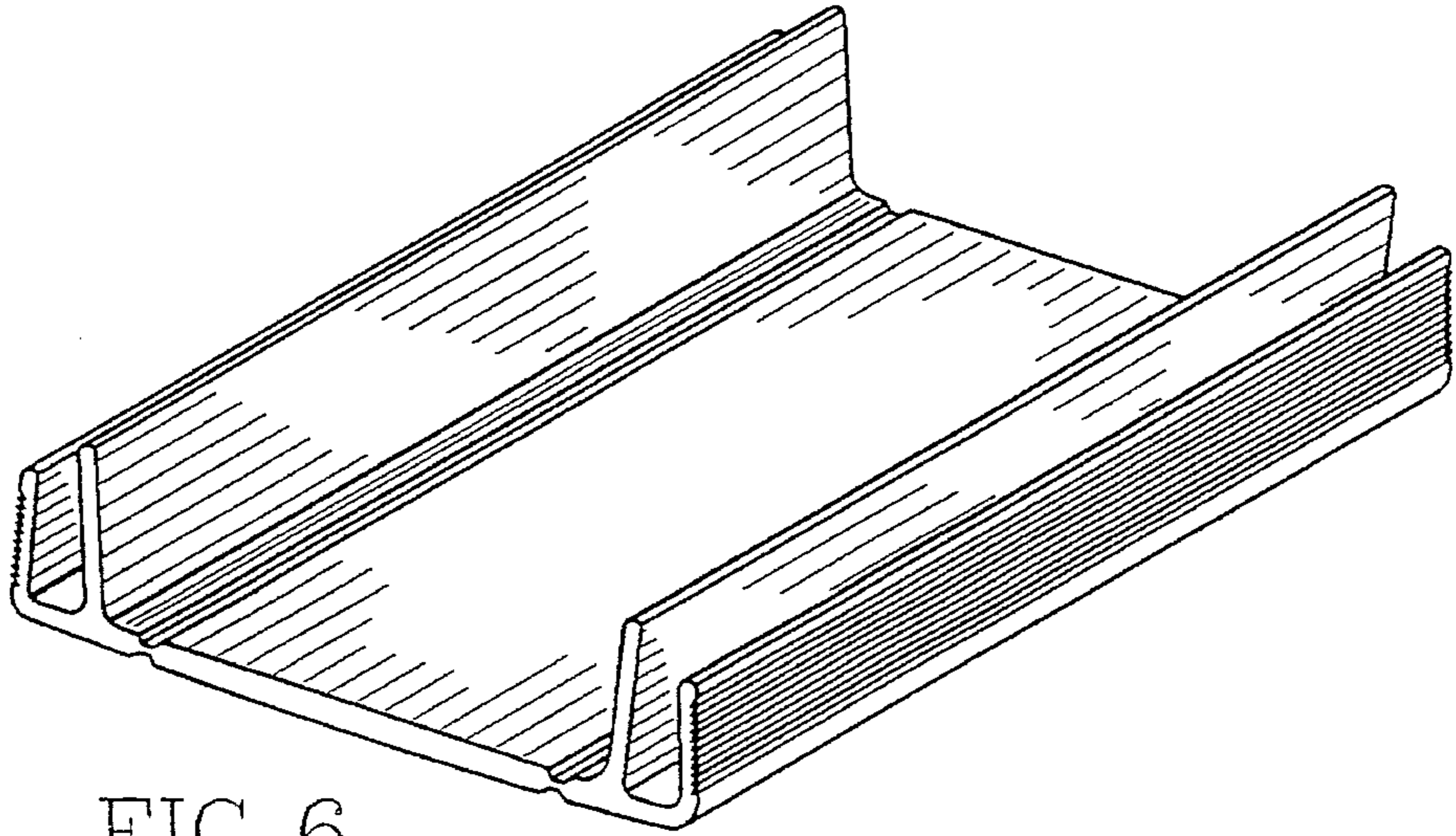


FIG. 6



FIG. 7

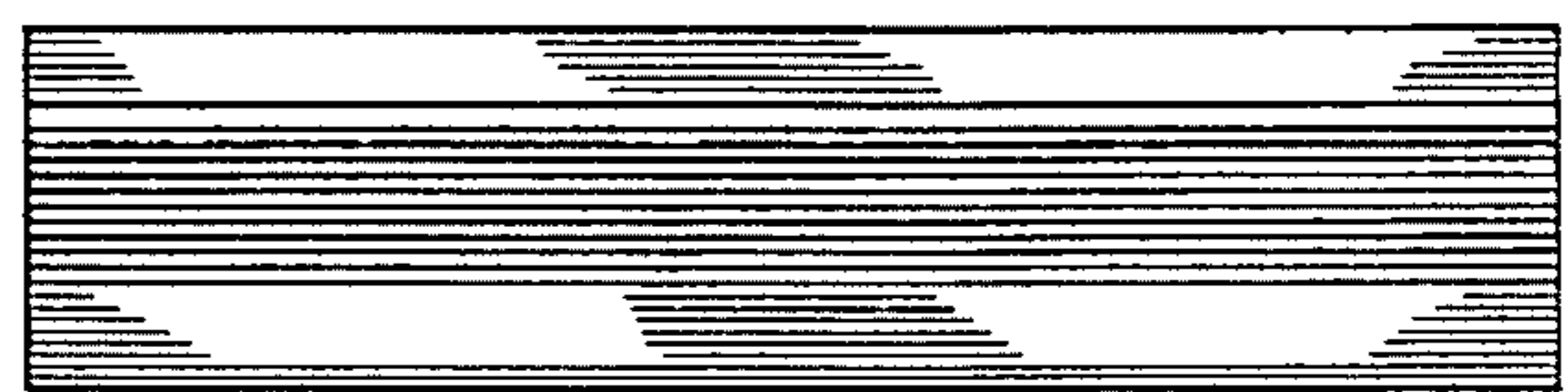


FIG. 8

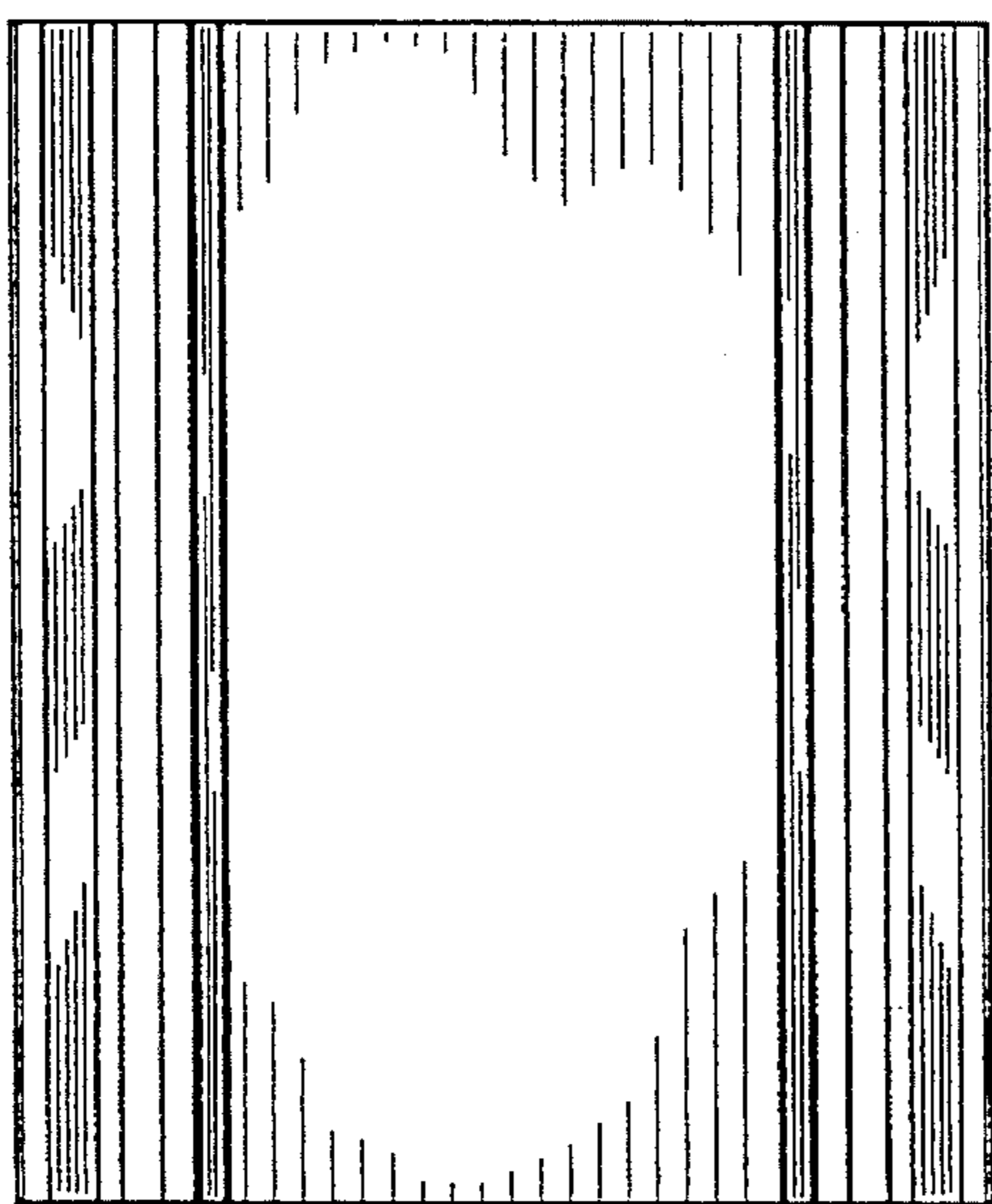


FIG. 10

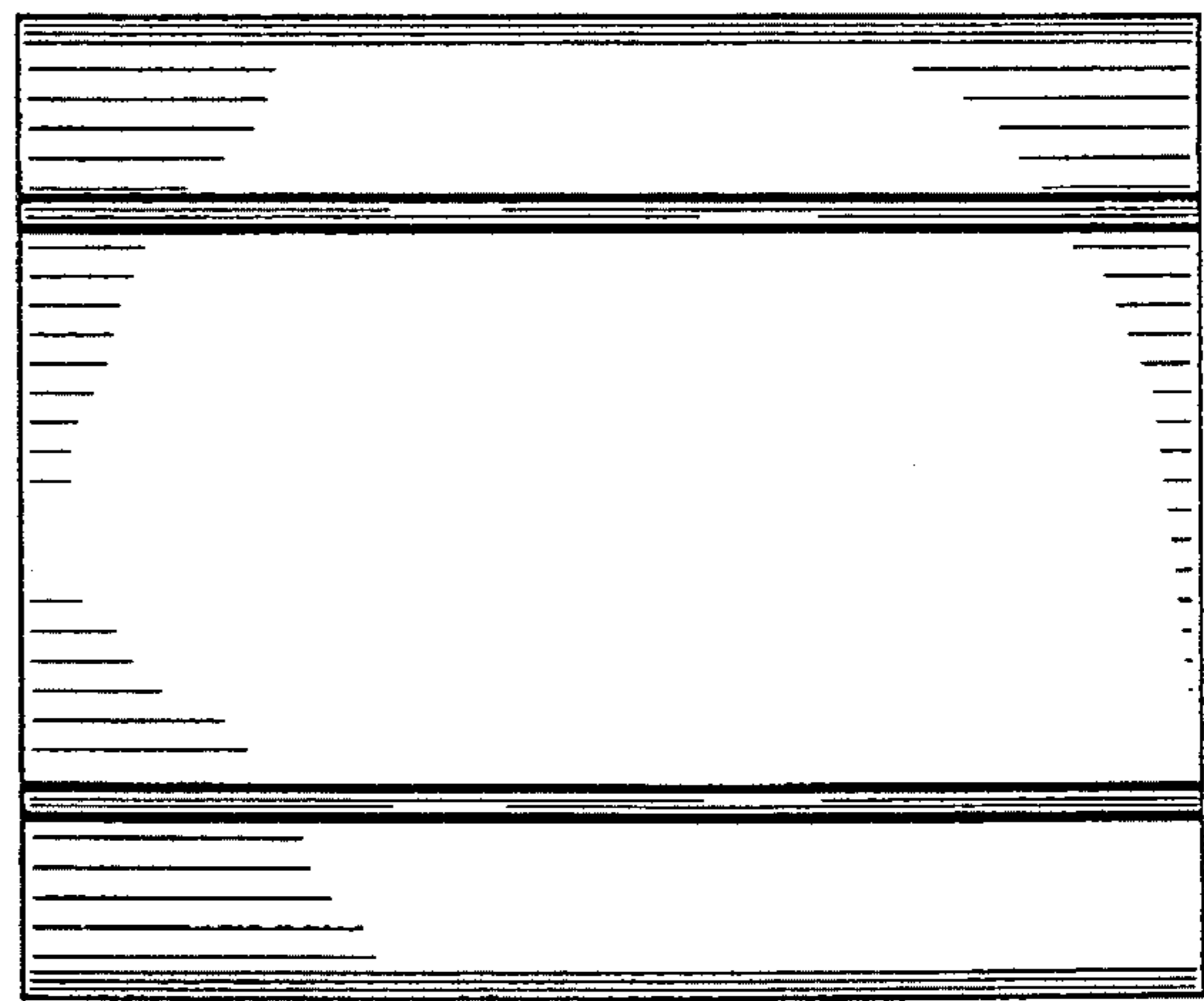


FIG. 9