



US00D366495S

United States Patent [19]

Hirai

[11] Patent Number: **Des. 366,495**

[45] Date of Patent: ****Jan. 23, 1996**

[54] ENVELOPE

| | | | |
|-----------|---------|-----------------|------------|
| 2,305,127 | 12/1942 | Albers | 206/232 X |
| 2,945,616 | 7/1960 | Normandin | 229/68.1 X |
| 3,575,348 | 9/1967 | Beskind | 229/68.1 |

[75] Inventor: **Masafumi Hirai**, Torrance, Calif.

[73] Assignee: **Lion Office Products, Inc.**, Gardena, Calif.

Primary Examiner—A. Hugo Word
Assistant Examiner—Pamela J. Burgess
Attorney, Agent, or Firm—Koda and Androlia

[**] Term: **14 Years**

[57] **CLAIM**

[21] Appl. No.: **30,100**

The ornamental design for an envelope, as shown and described.

[22] Filed: **Oct. 24, 1994**

[52] U.S. Cl. **D19/3**

DESCRIPTION

[58] Field of Search D19/3, 4; D9/306; 283/116; 229/68.1, 313, 307, 309, 311, 312; D6/634, 635, 636; 206/308.1, 308.2, 215, 425, 387, 309-313

FIG. 1 is a front elevational view of the envelope showing my new design;

FIG. 2 is a rear elevational view thereof;

FIG. 3 is a right side elevational view thereof; the left side view being the mirror image of the right side;

FIG. 4 is a bottom plan view thereof; and,

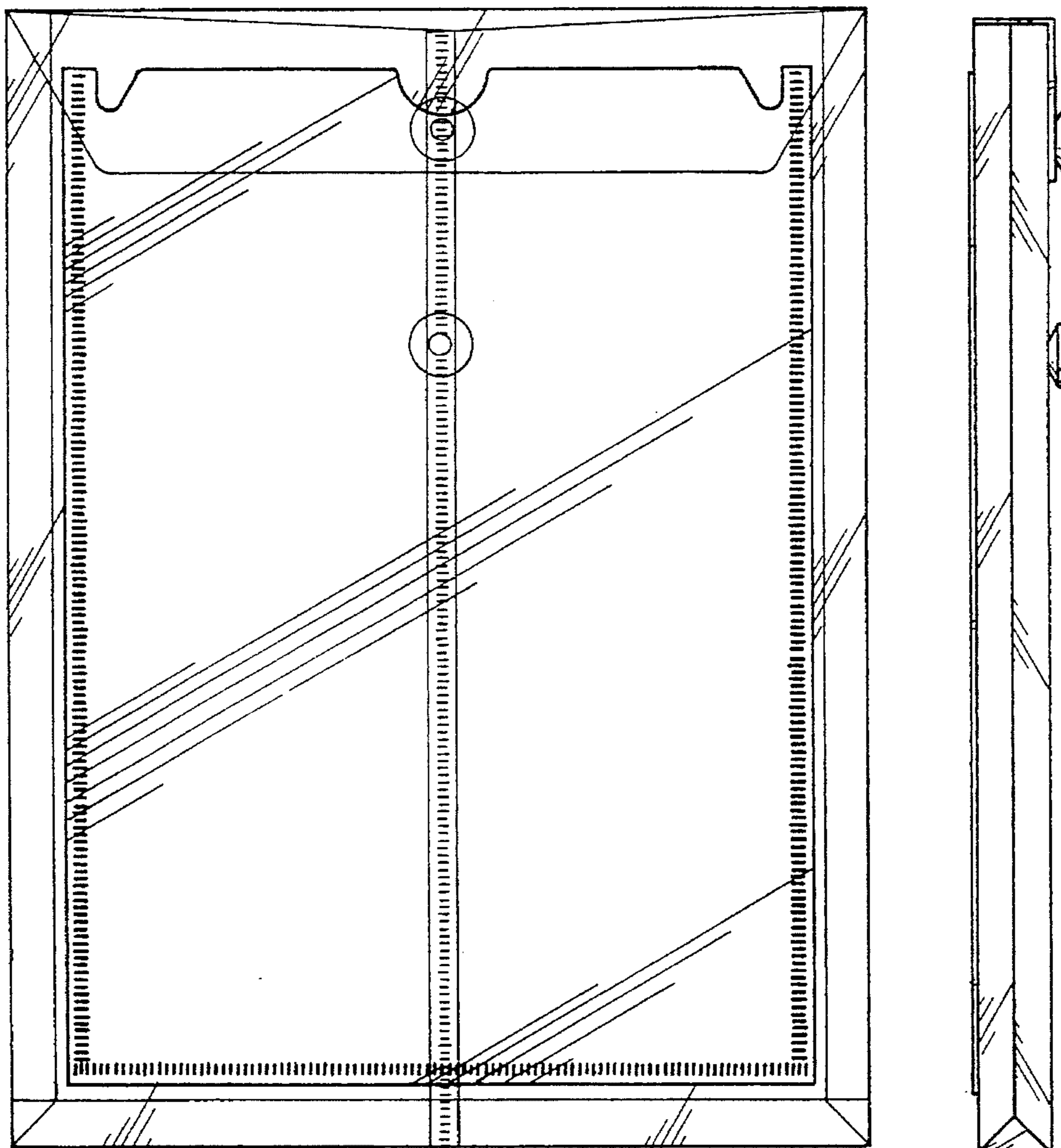
FIG. 5 is a top plan view thereof.

[56] **References Cited**

U.S. PATENT DOCUMENTS

| | | | |
|------------|---------|---------------|--------|
| D. 28,911 | 6/1898 | Wiggins | D19/32 |
| D. 279,990 | 8/1985 | Gerber | D19/3 |
| D. 312,656 | 12/1990 | Huber | D19/3 |

1 Claim, 2 Drawing Sheets



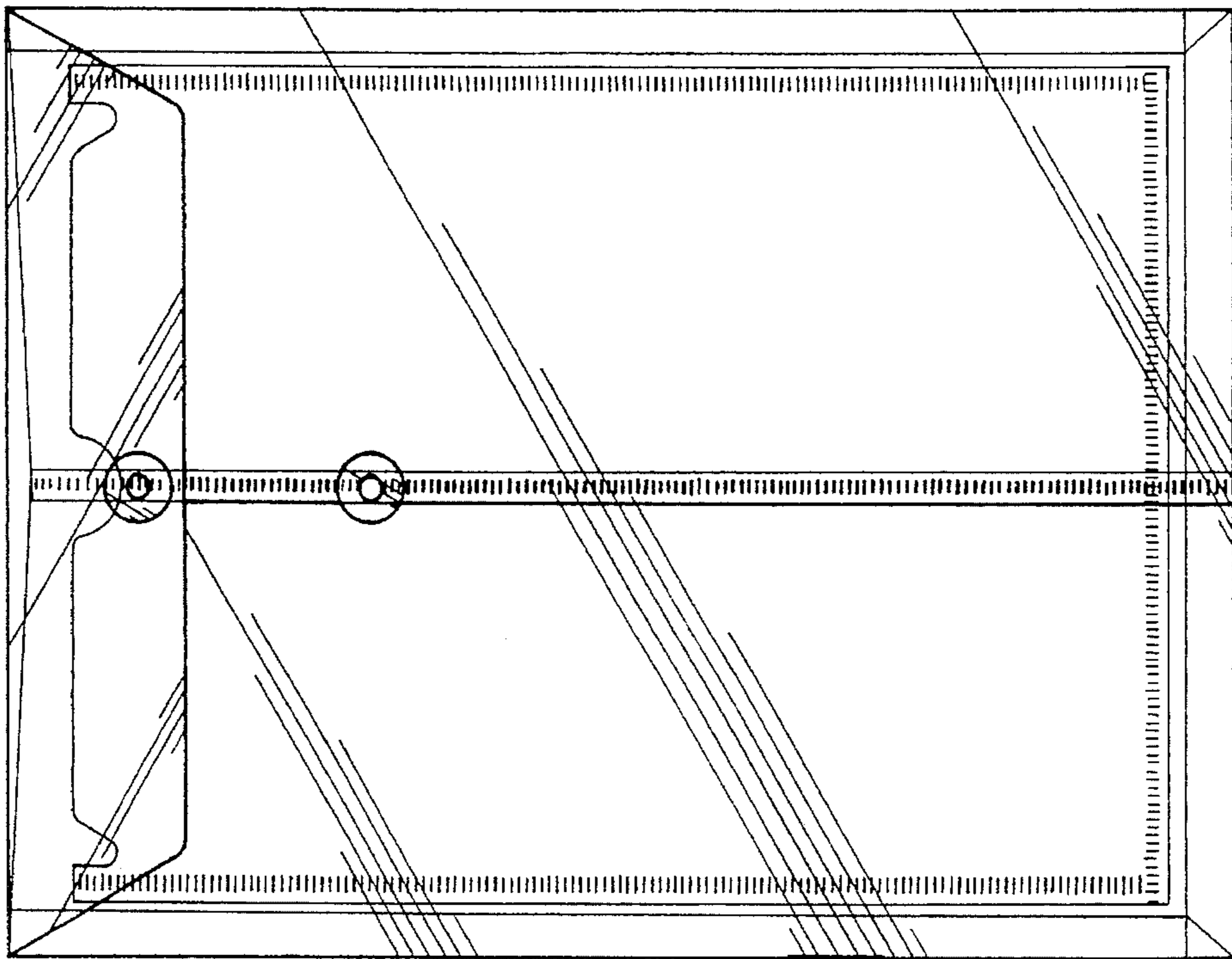


FIG. 2

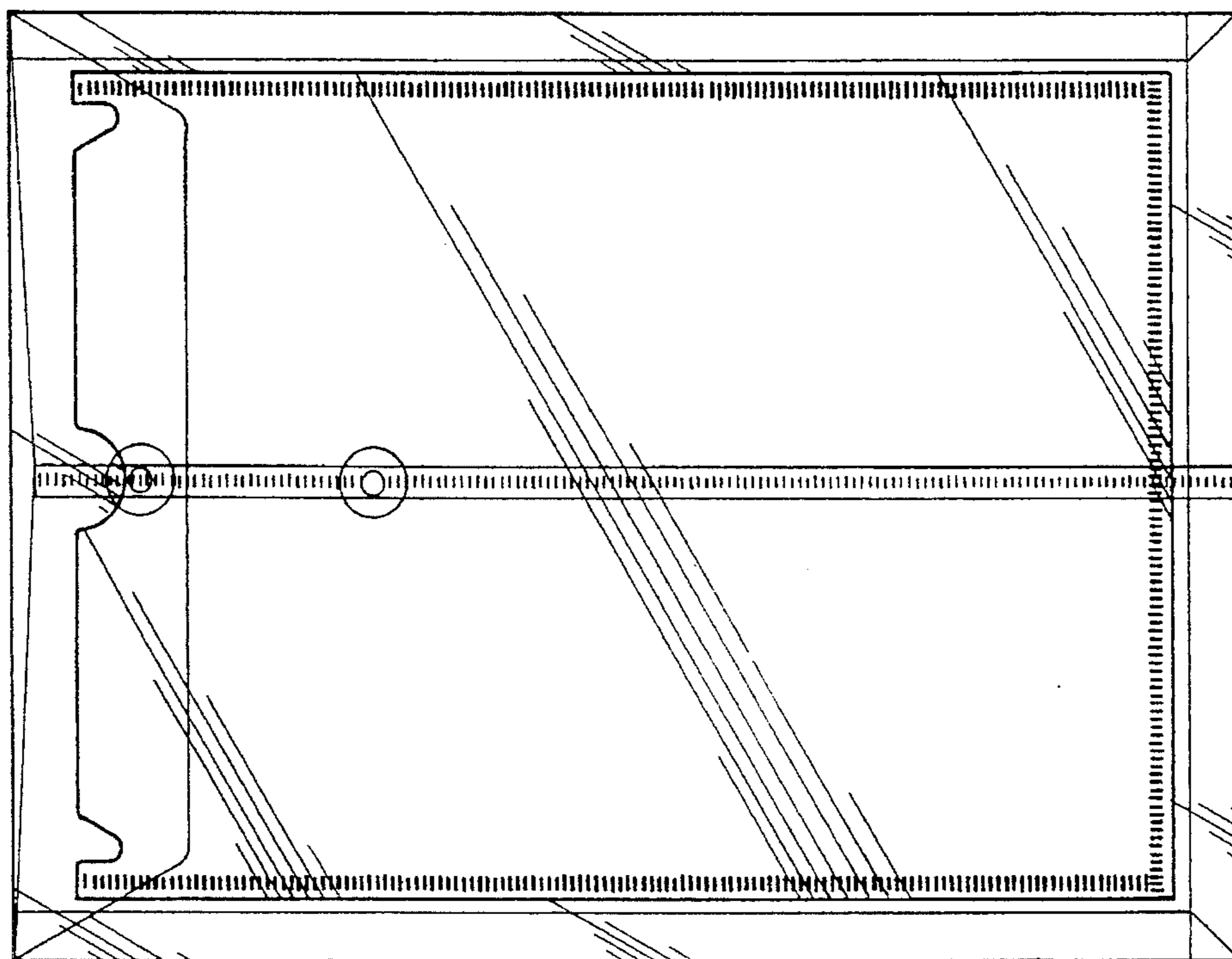


FIG. 1

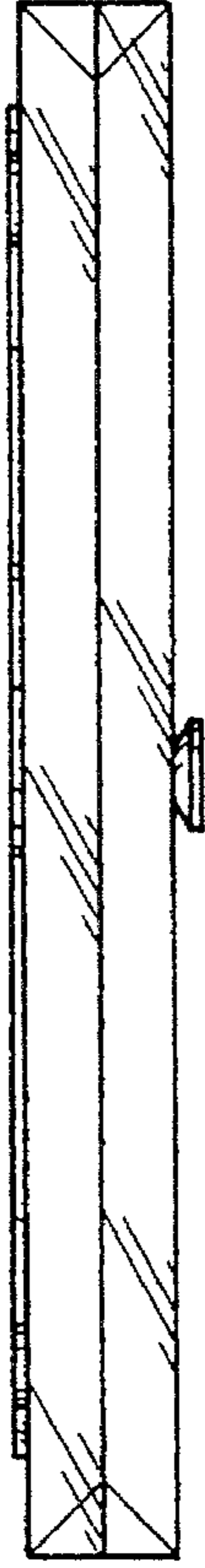


FIG. 4

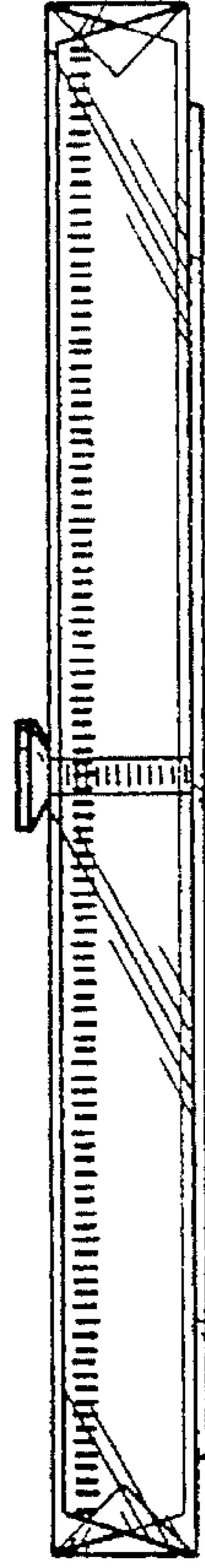


FIG. 5



FIG. 3