



US00D366492S

# United States Patent [19]

[11] Patent Number: **Des. 366,492**

Kume et al.

[45] Date of Patent: **\*\*Jan. 23, 1996**

[54] **COMBINED MONITOR, VIDEO TAPE RECORDER AND CAMERA**

FOREIGN PATENT DOCUMENTS

[75] Inventors: **Katsunori Kume; Yasushi Fukuda,**  
both of Tochigi, Japan

581286A1 2/1994 European Pat. Off. .... H04N 5/225  
5-153448 6/1993 Japan ..... H04N 5/225

[73] Assignee: **Sharp Kabushiki Kaisha,** Osaka, Japan

*Primary Examiner*—Prabhakar G. Deshmukh  
*Assistant Examiner*—Adir Aronovich  
*Attorney, Agent, or Firm*—Nixon & Vanderhye

[\*\*] Term: **14 Years**

[57] **CLAIM**

[21] Appl. No.: **22,450**

The ornamental design for a combined monitor, video tape recorder and camera, as shown and described.

[22] Filed: **May 5, 1994**

**DESCRIPTION**

[30] **Foreign Application Priority Data**

Nov. 18, 1993 [JP] Japan ..... 5-35220  
[52] **U.S. Cl.** ..... **D16/202**  
[58] **Field of Search** ..... D16/200-205,  
D16/208; 348/143, 207, 373-376; 358/906,  
909.1; 354/82, 288; H04N 5/225

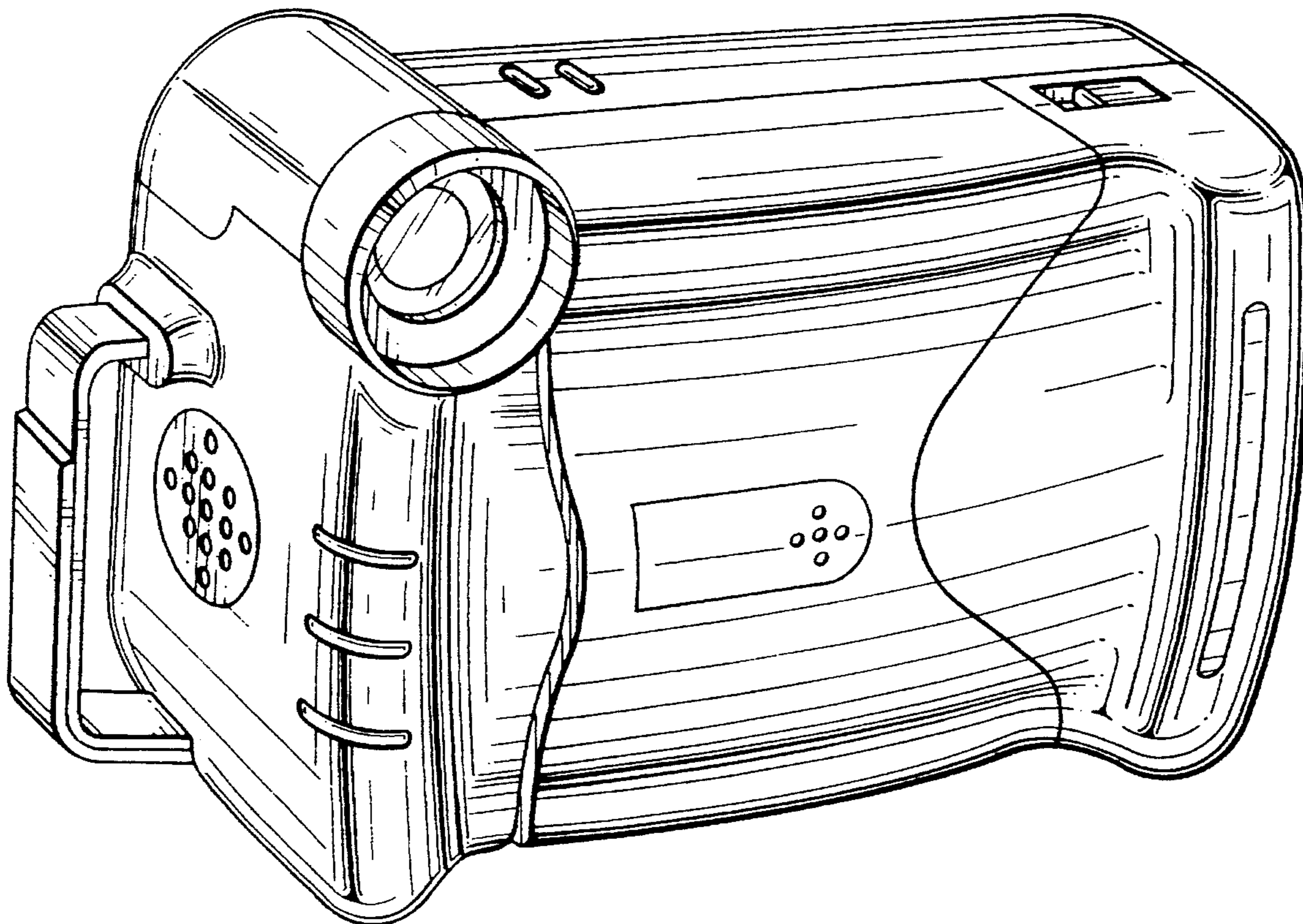
FIG. 1 is a top, front and left side perspective view of a combined monitor, video tape recorder and camera according to our design;  
FIG. 2 is a top, rear and left side perspective view thereof;  
FIG. 3 is a front elevational view thereof;  
FIG. 4 is a top plan view thereof;  
FIG. 5 is a bottom plan view thereof;  
FIG. 6 is a right side elevational view thereof;  
FIG. 7 is a left side elevational view thereof;  
FIG. 8 is a rear elevational view with the monitor and video tape recorder section rotated 180° relative to the camera section; and,  
FIG. 9 is a view similar to FIG. 1 with the monitor and video tape recorder rotated 180° relative to the camera section.

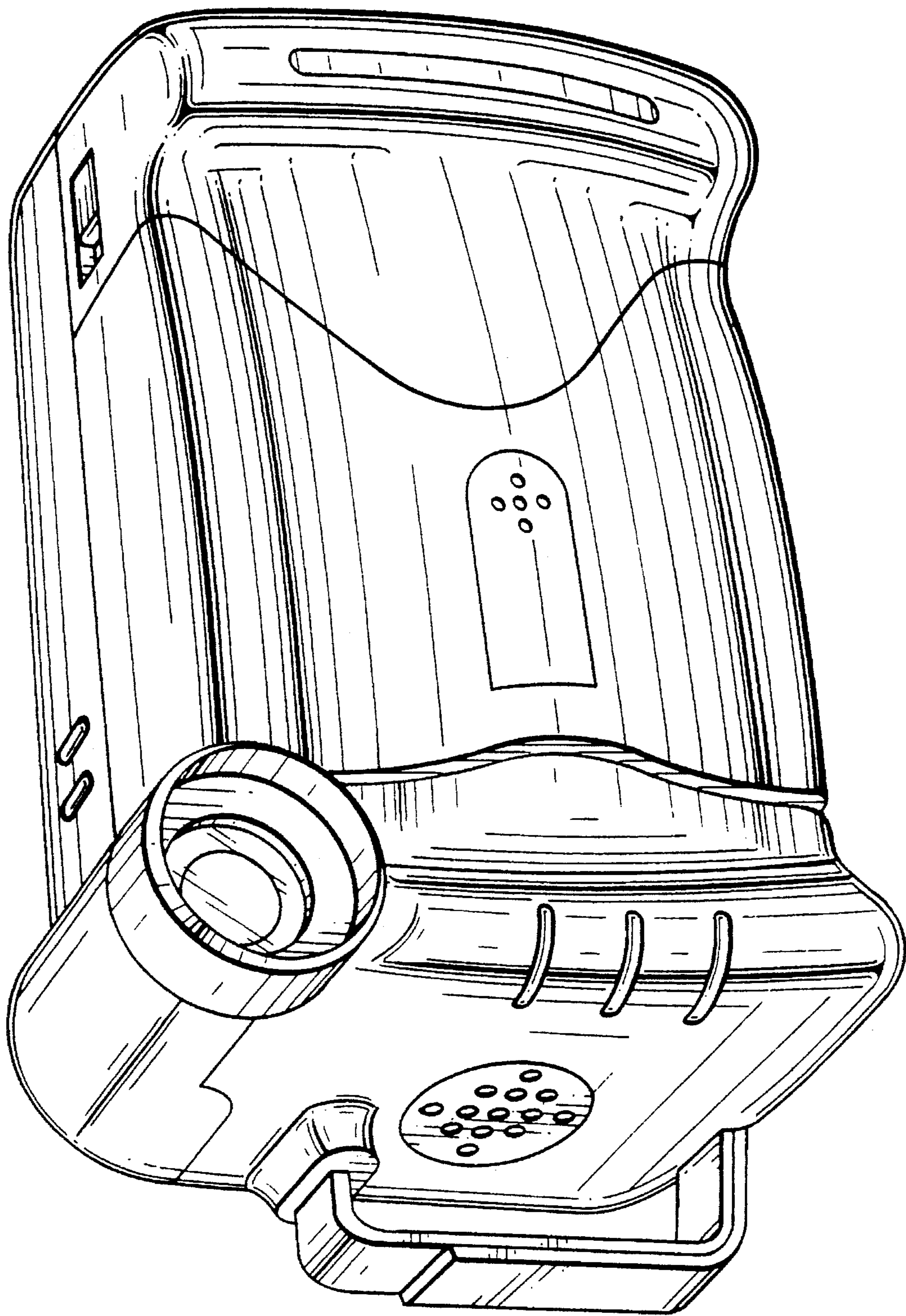
[56] **References Cited**

**U.S. PATENT DOCUMENTS**

D. 330,383 10/1992 Uchikawa et al. .... D16/202  
D. 341,368 11/1993 Ooi et al. .... D16/202  
D. 341,369 11/1993 Sakata et al. .... D16/202  
D. 347,235 5/1994 Ooi et al. .... D16/202  
D. 347,236 5/1994 Ooi et al. .... D16/202  
D. 352,728 11/1994 Kurokawa et al. .... D16/202  
D. 352,729 11/1994 Tsujimura et al. .... D16/202  
4,873,576 10/1989 Hattori et al. .... 348/373

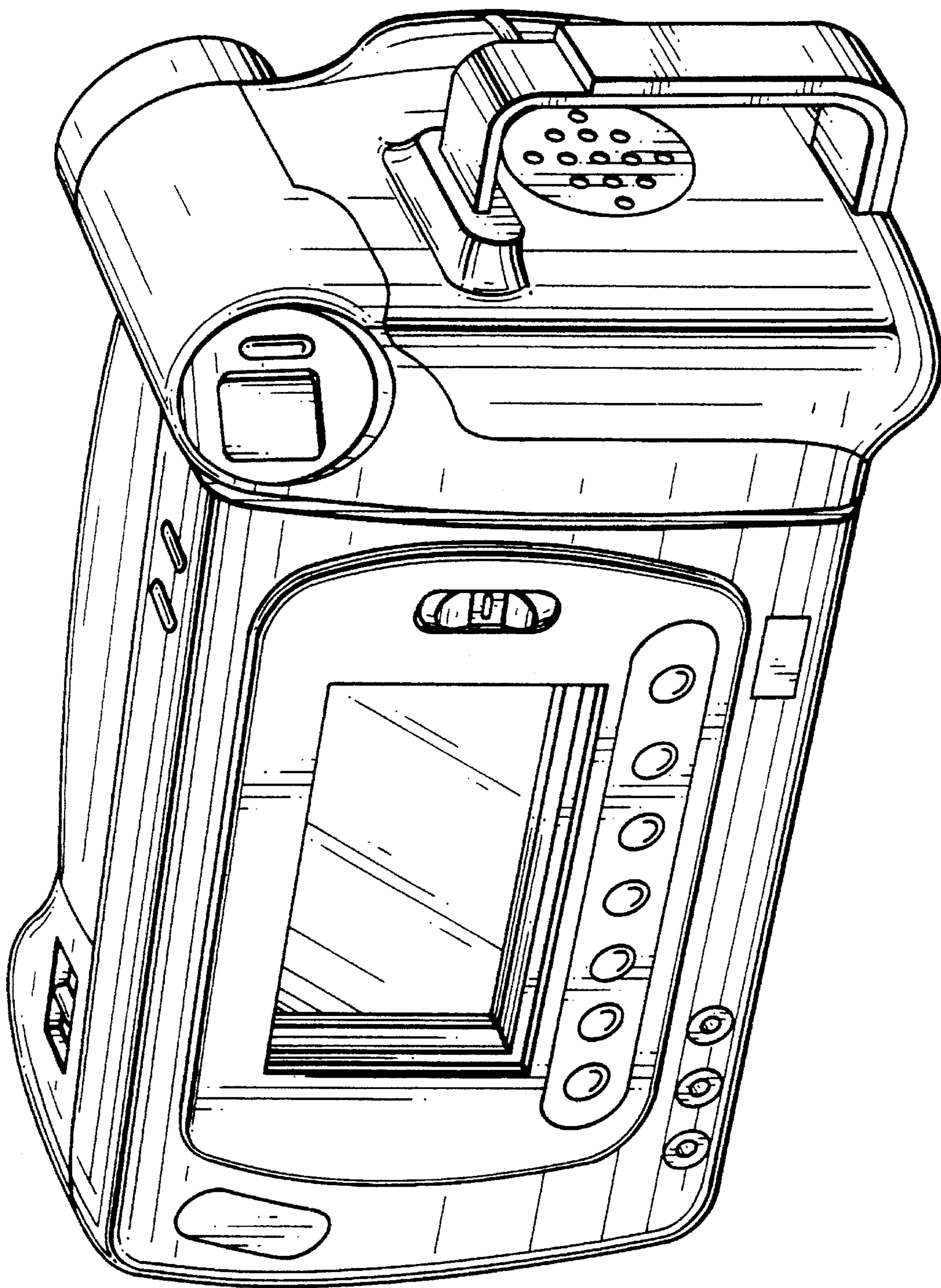
**1 Claim, 7 Drawing Sheets**





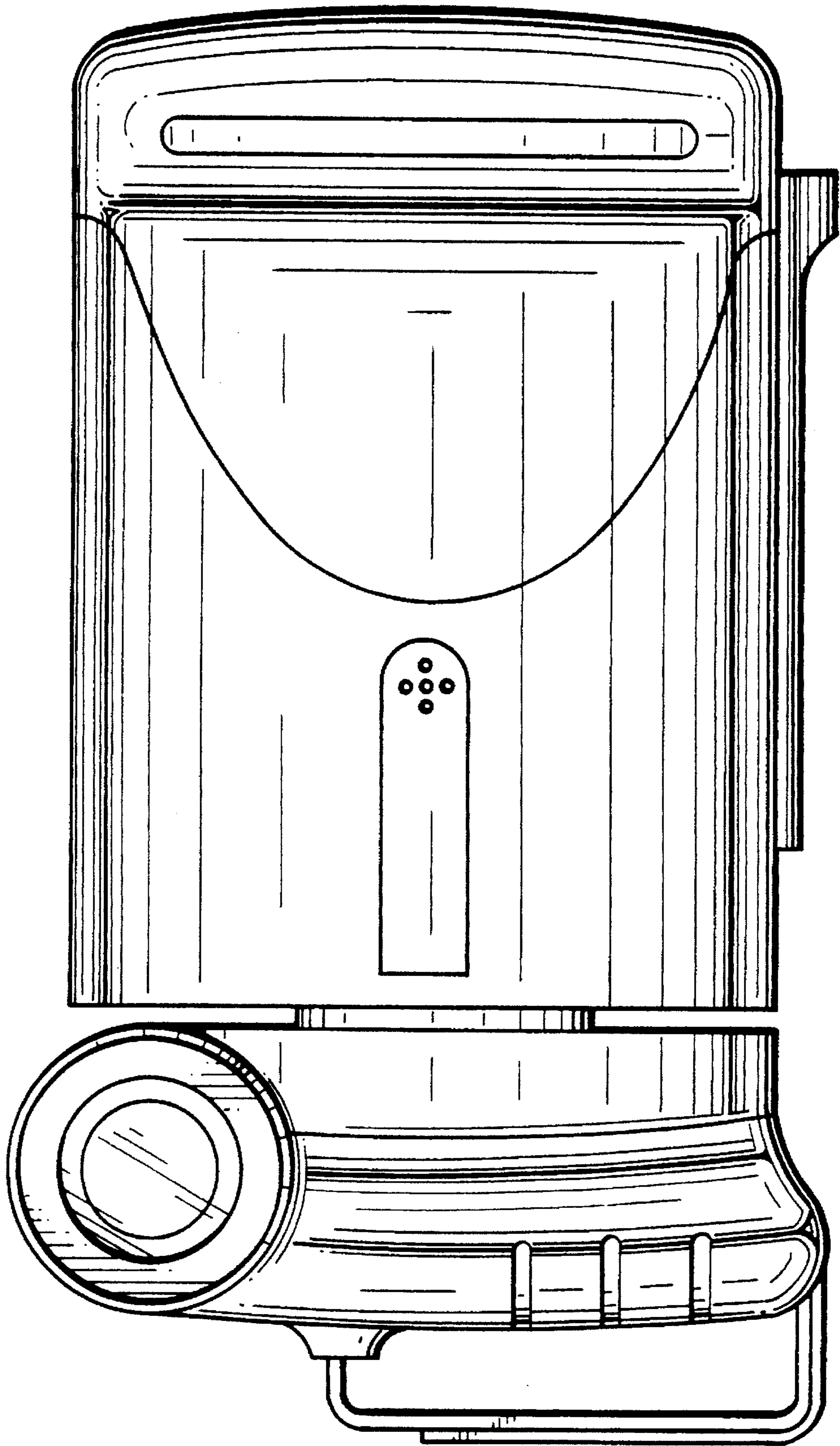
**FIG. 1**

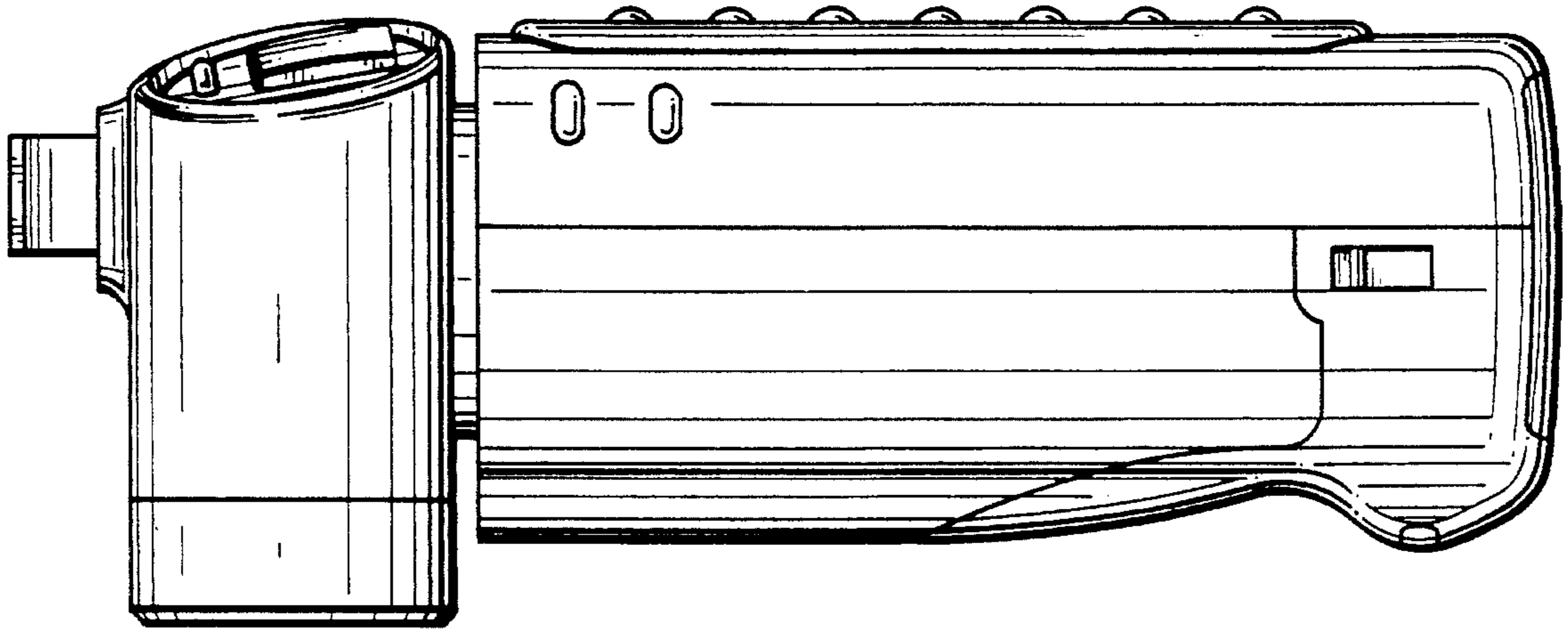




**FIG. 2**

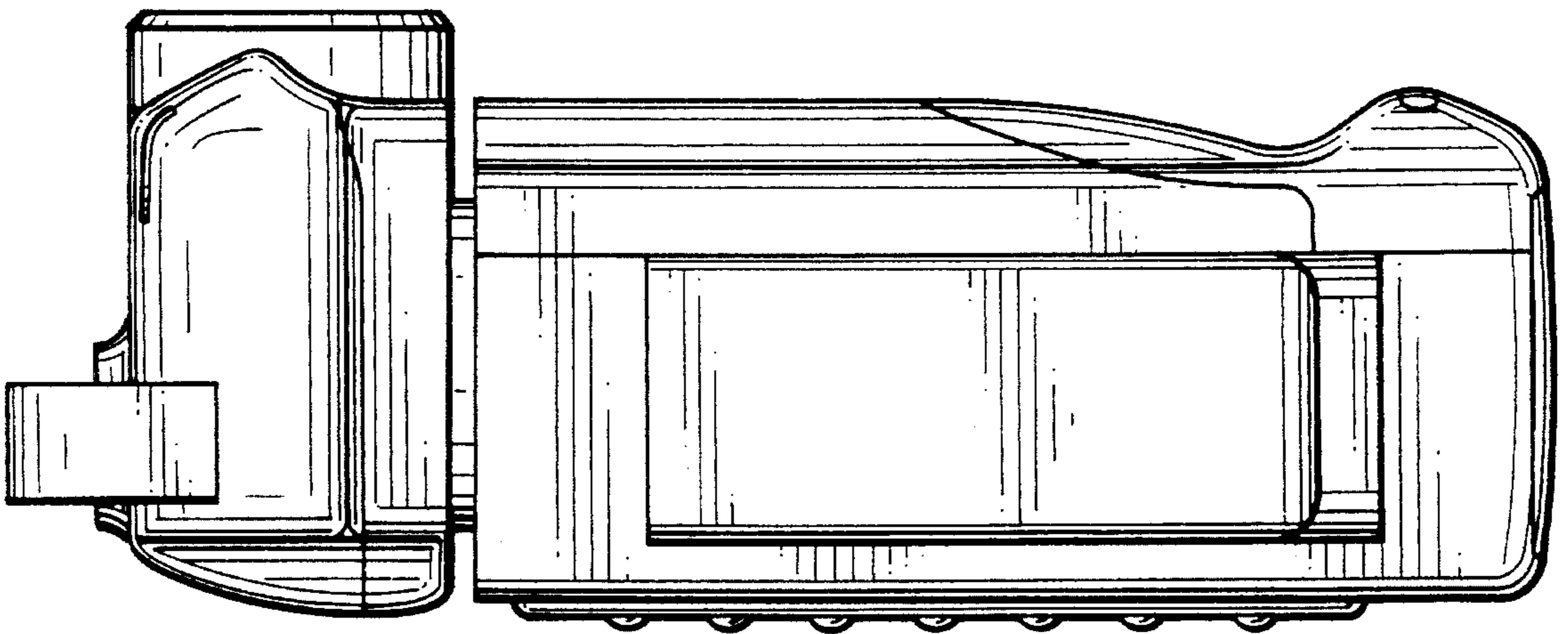
**FIG. 3**



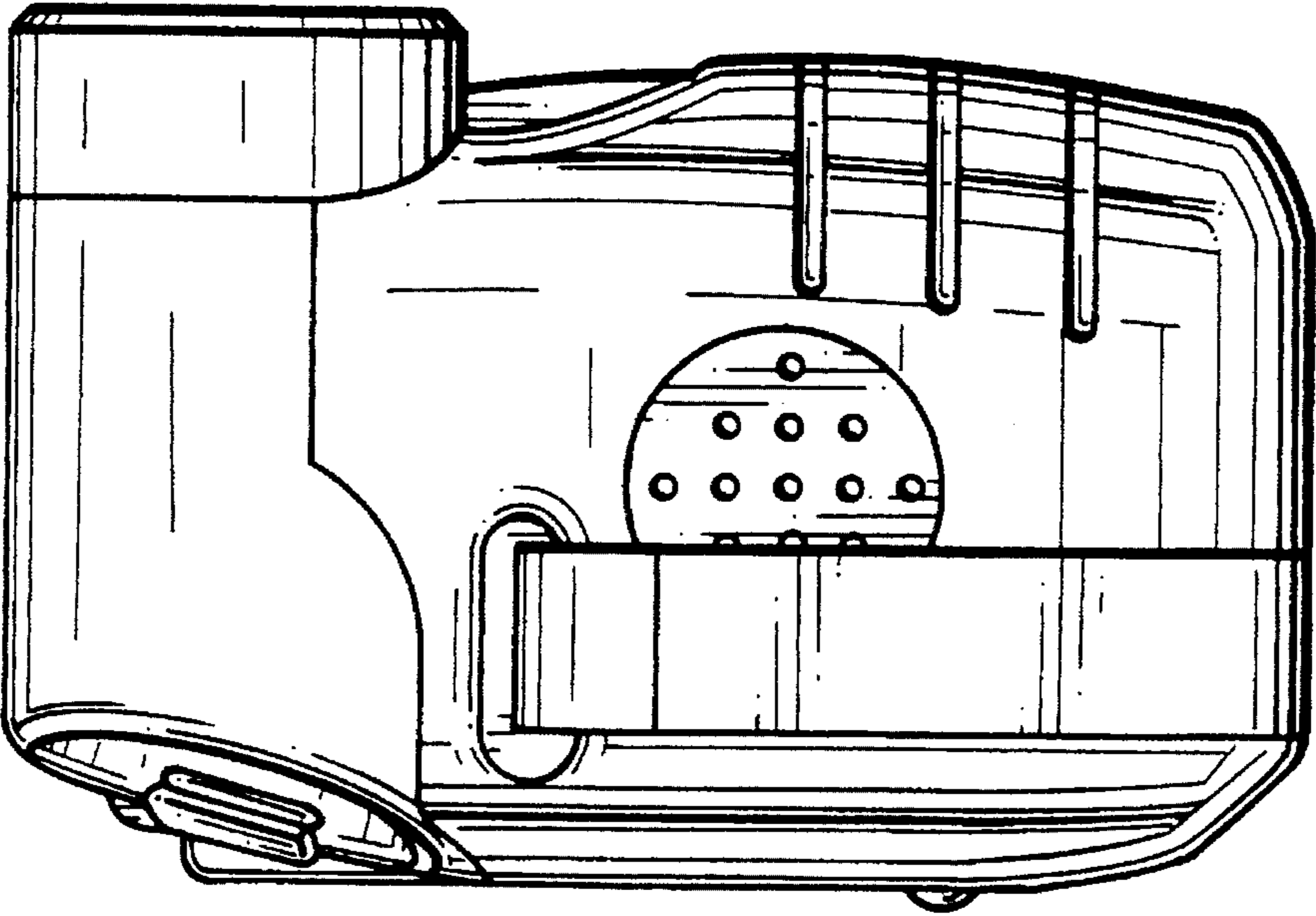


*FIG. 4*

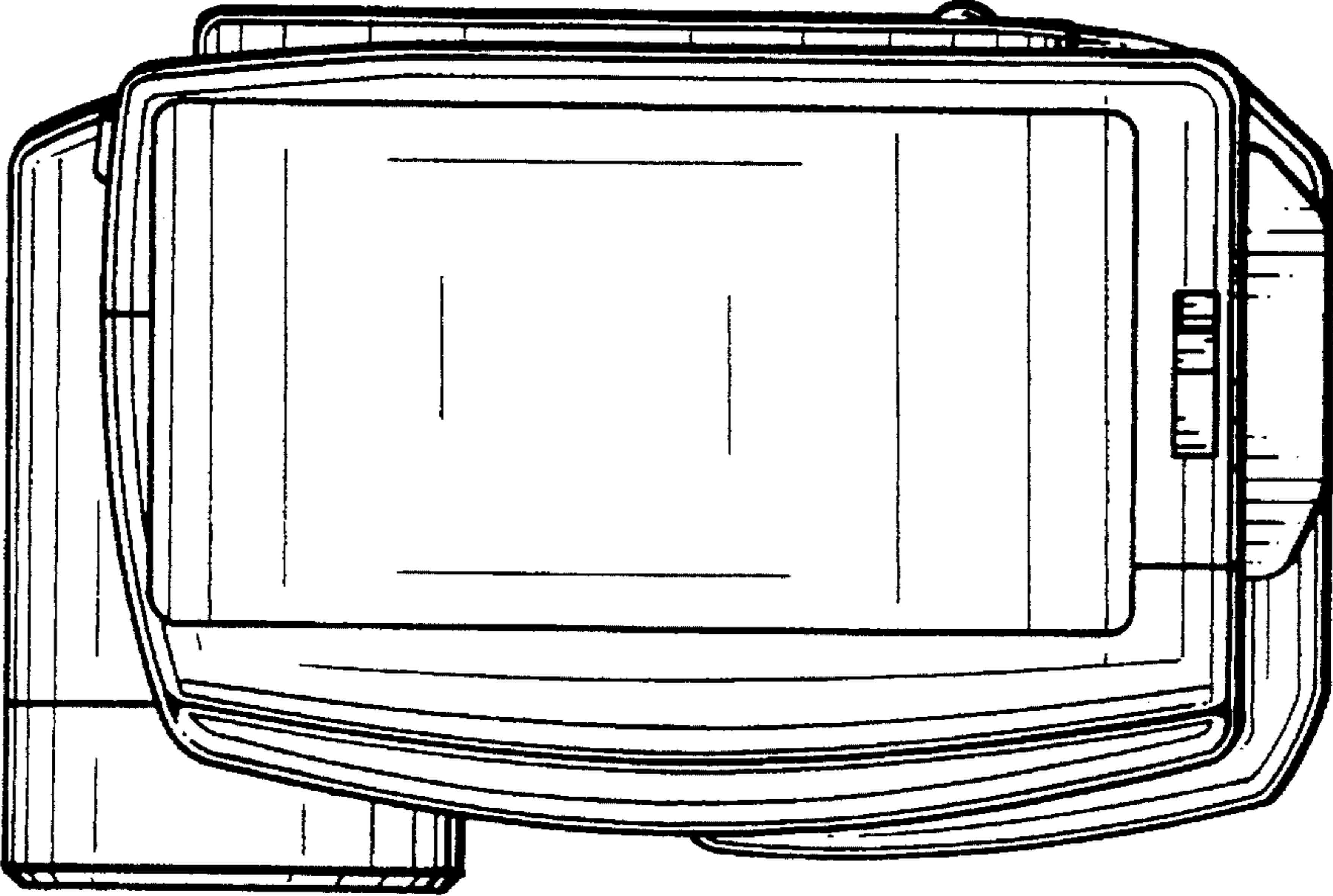
*FIG. 5*



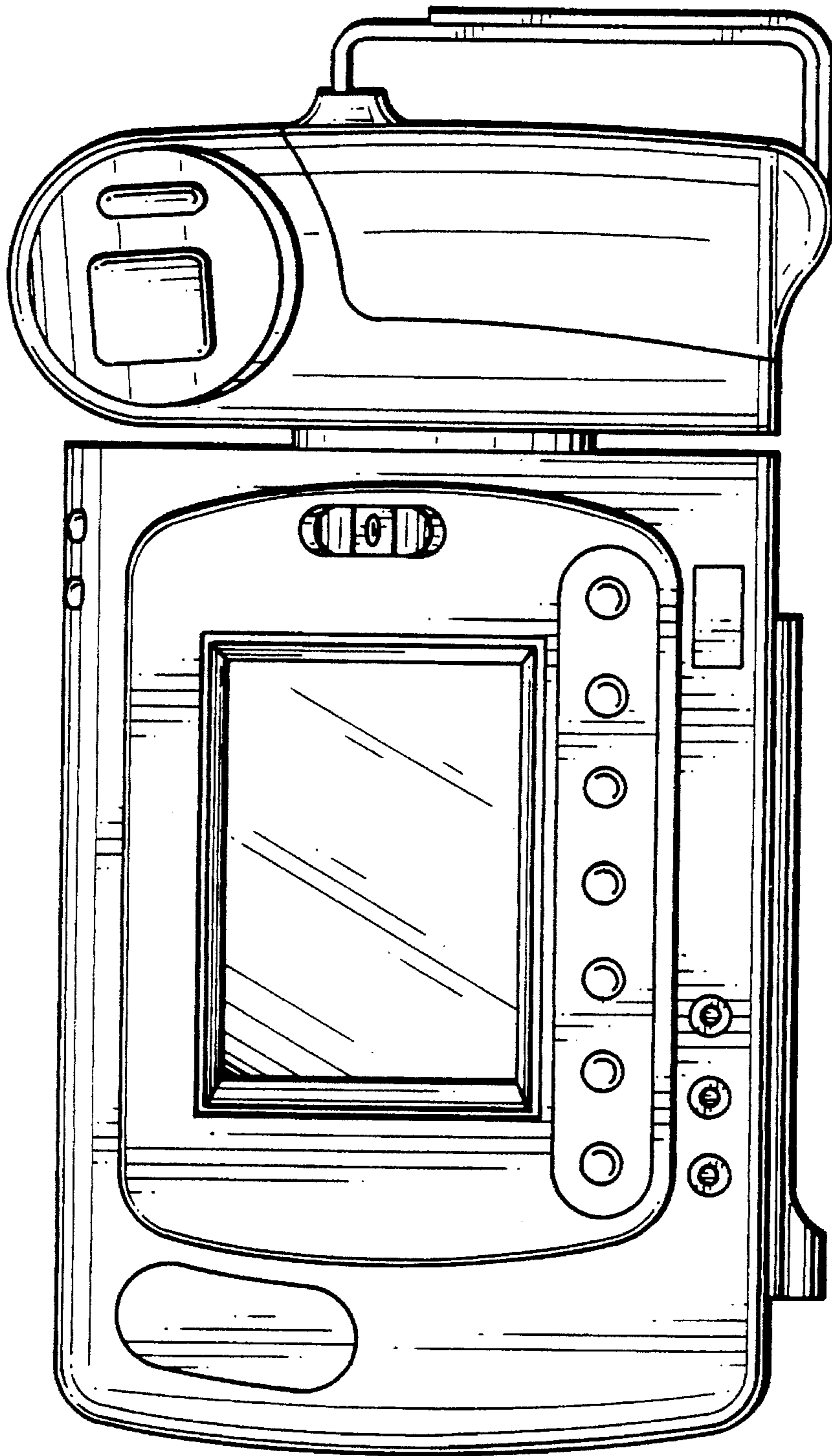
**FIG. 7**



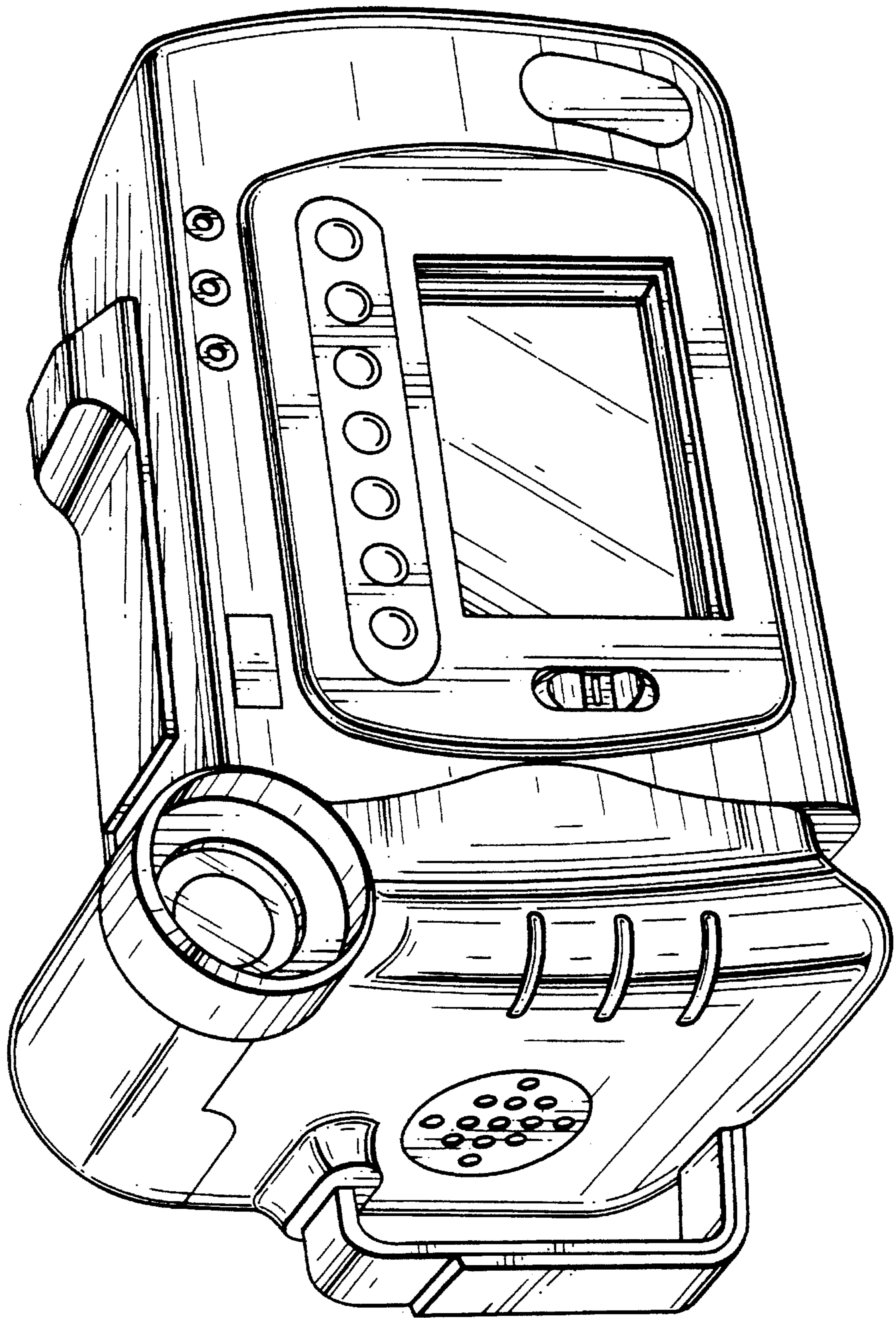
**FIG. 6**







**FIG. 8**



**FIG. 9**