



US00D366491S

United States Patent [19]
Chang

[11] **Patent Number: Des. 366,491**

[45] **Date of Patent: **Jan. 23, 1996**

[54] **ELECTRIC SAW**

5,297,463 3/1994 O'Banion et al. 83/397 X

[75] Inventor: **Chiu-Tsun Chang**, Taichung, Taiwan

Primary Examiner—Antoine Duval Davis
Attorney, Agent, or Firm—Hoffmann & Baron

[73] Assignee: **P & F Brother Industrial Corporation**,
Taichung, Taiwan

[57] **CLAIM**

[**] Term: **14 Years**

The ornamental design for an electric saw, as shown and described.

[21] Appl. No.: **36,093**

DESCRIPTION

[22] Filed: **Mar. 13, 1995**

[52] **U.S. Cl.** **D15/133**

[58] **Field of Search** D15/133; 83/397,
83/471.1, 471.2, 471.3, 477, 581

FIG. 1 is a perspective view of an electric saw showing my new design;

FIG. 2 is a front elevational view thereof;

FIG. 3 is a rear elevational view thereof;

FIG. 4 is a left side elevational view thereof;

FIG. 5 is a right side elevational view thereof;

FIG. 6 is a top plan view thereof; and,

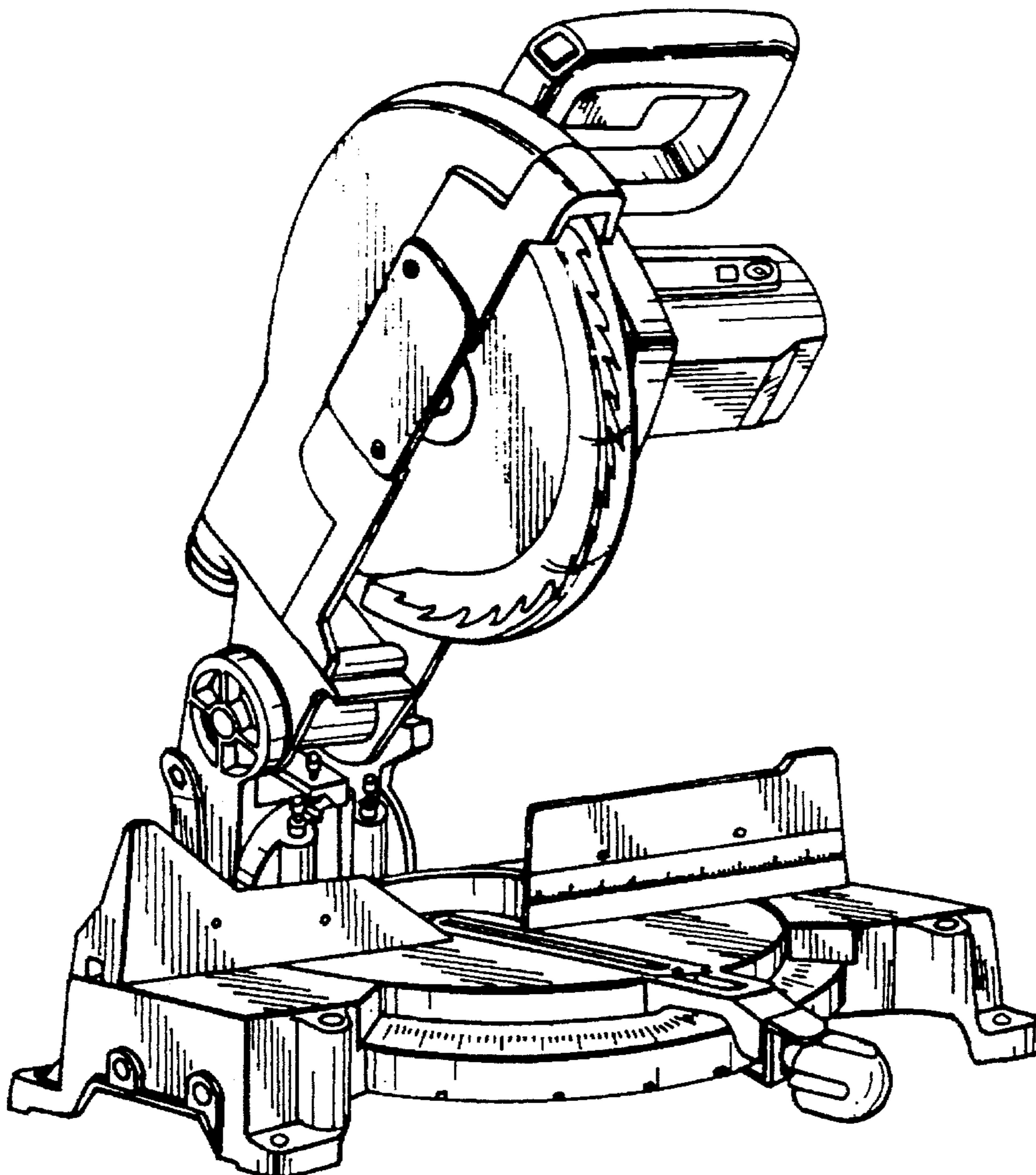
FIG. 7 is a bottom plan view thereof.

[56] **References Cited**

U.S. PATENT DOCUMENTS

D. 295,823	5/1988	Brickner, Jr. et al.	D15/133
D. 346,173	4/1994	Price	D15/133
D. 352,509	11/1994	Kriaski et al.	D15/133

1 Claim, 4 Drawing Sheets



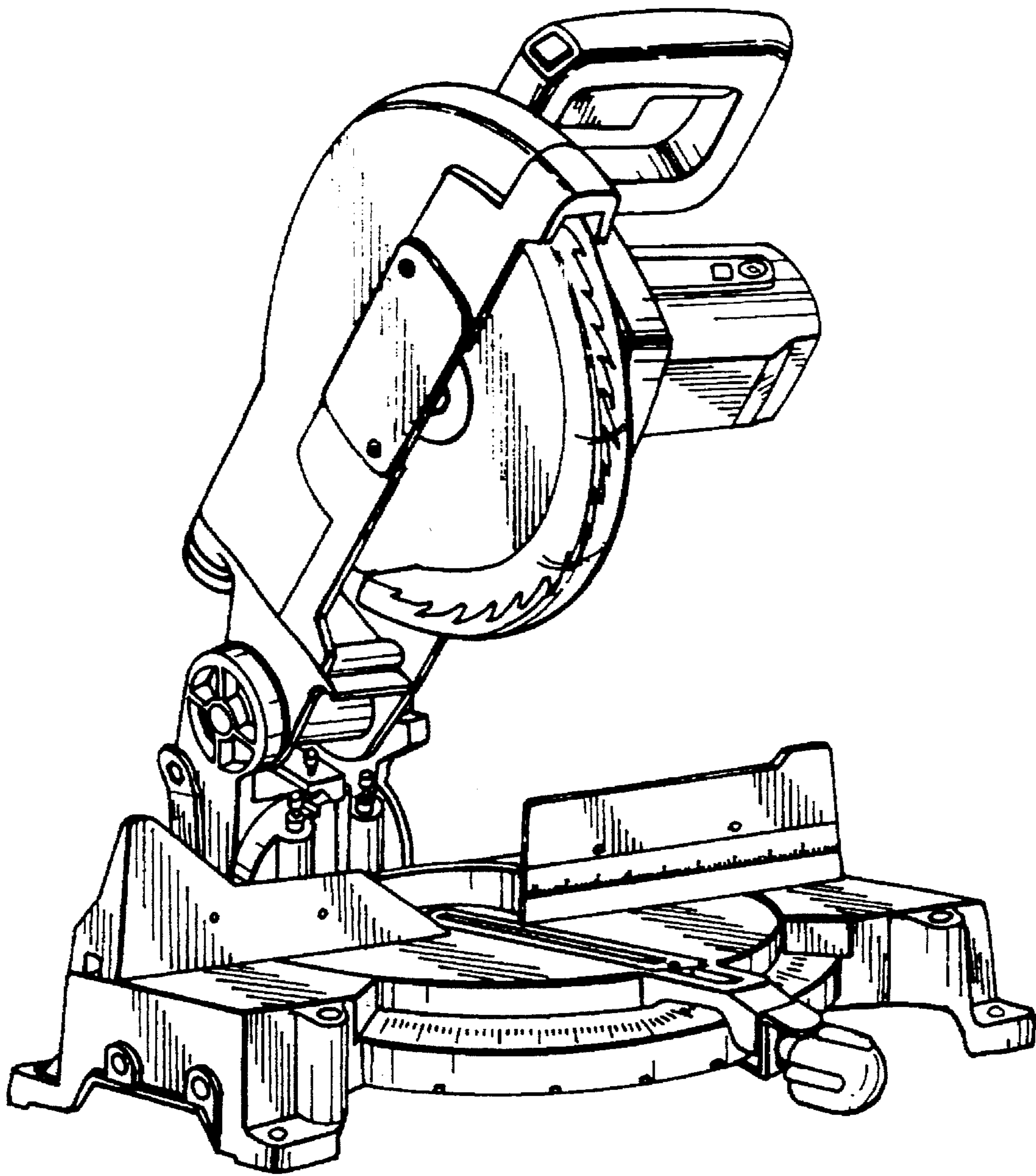


FIG. 1

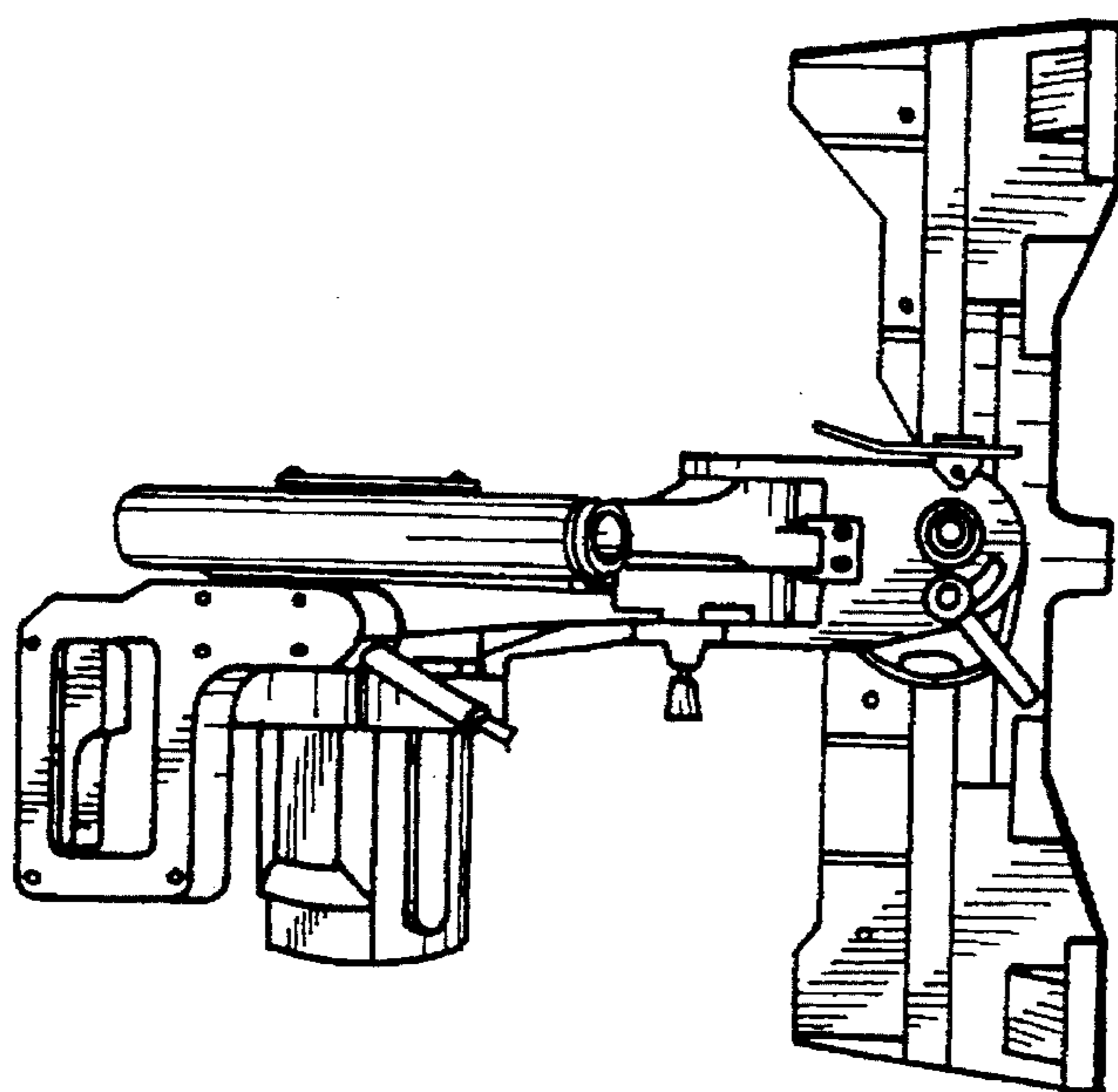


FIG. 3

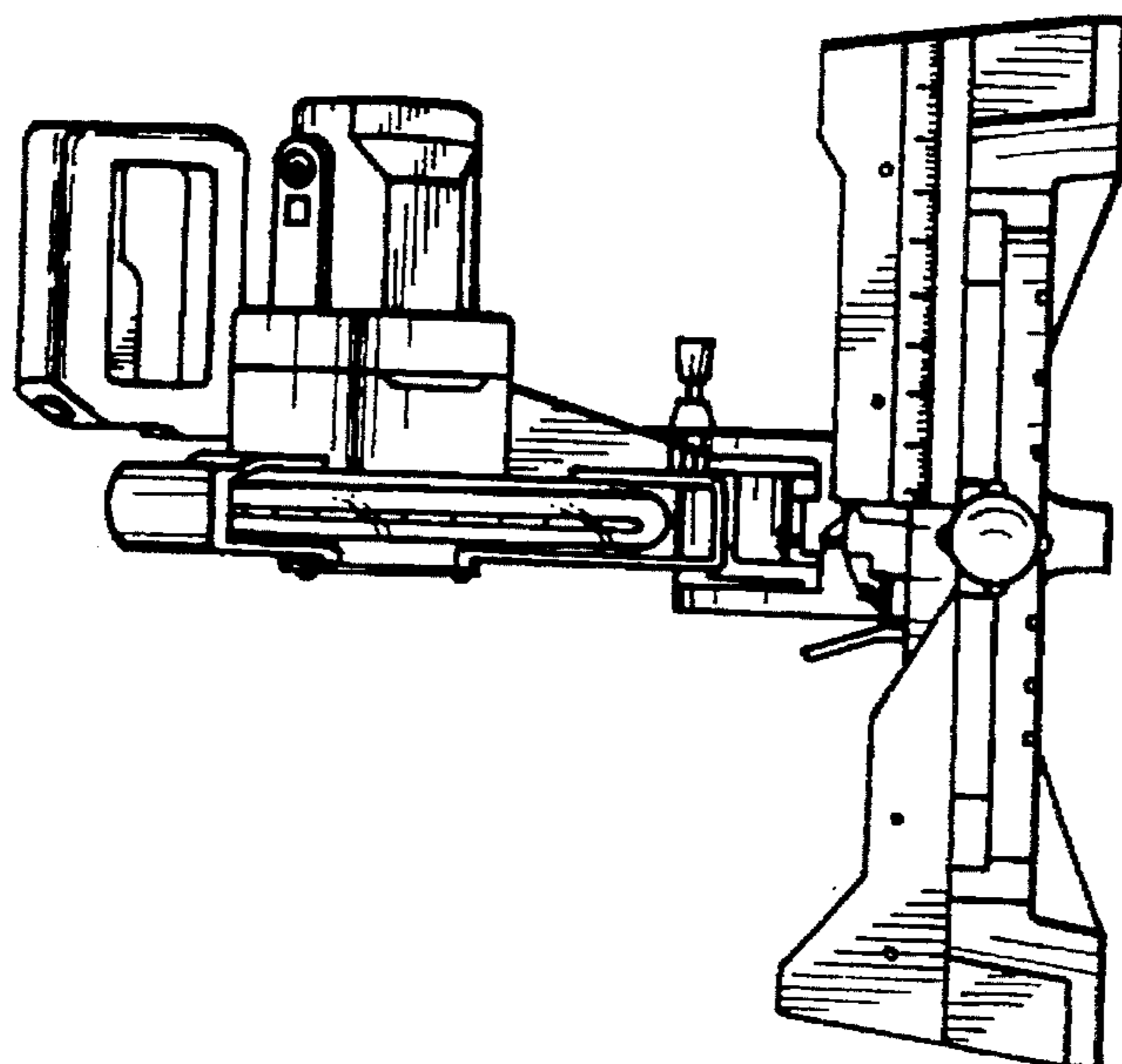


FIG. 2

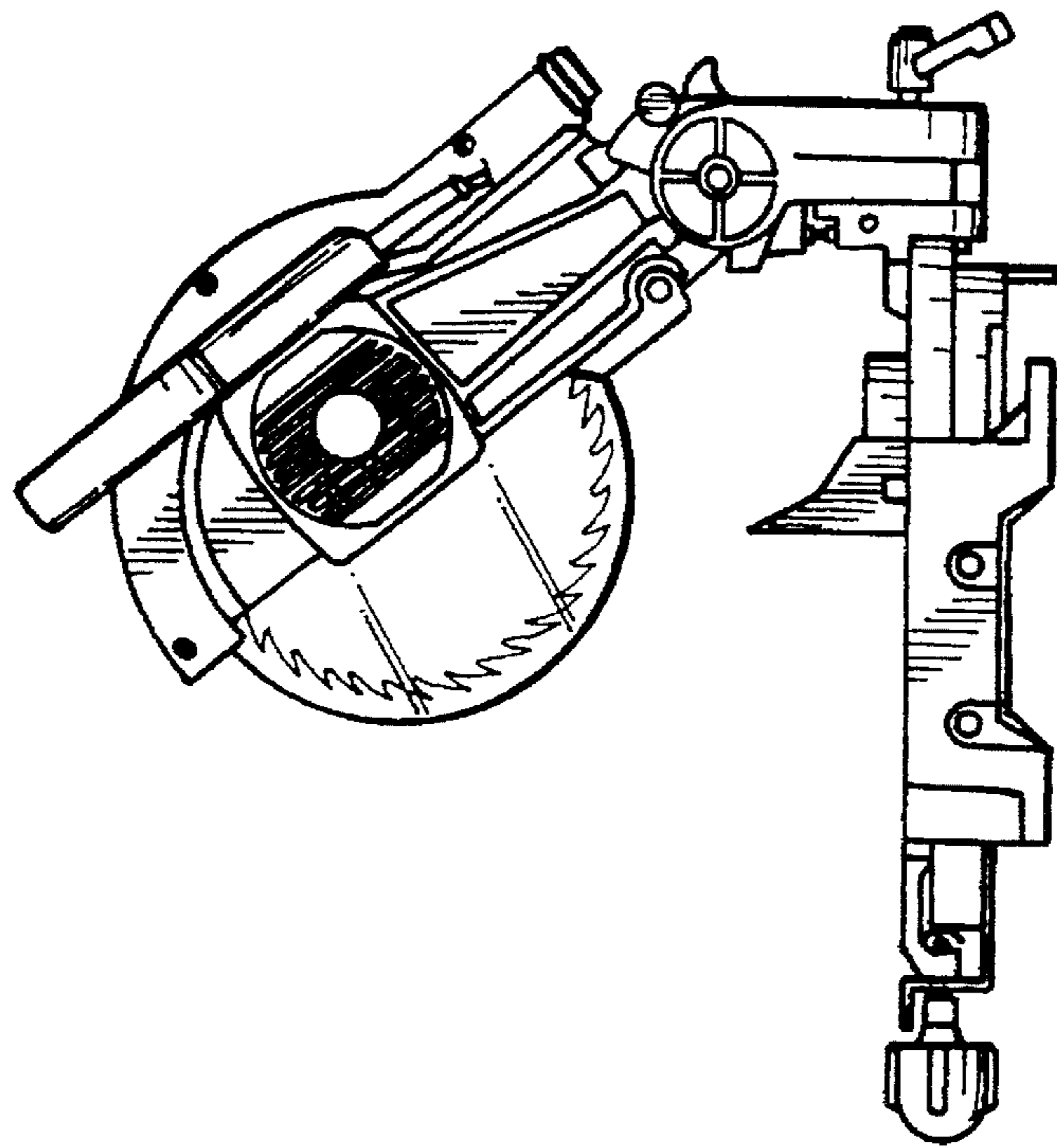


FIG. 5

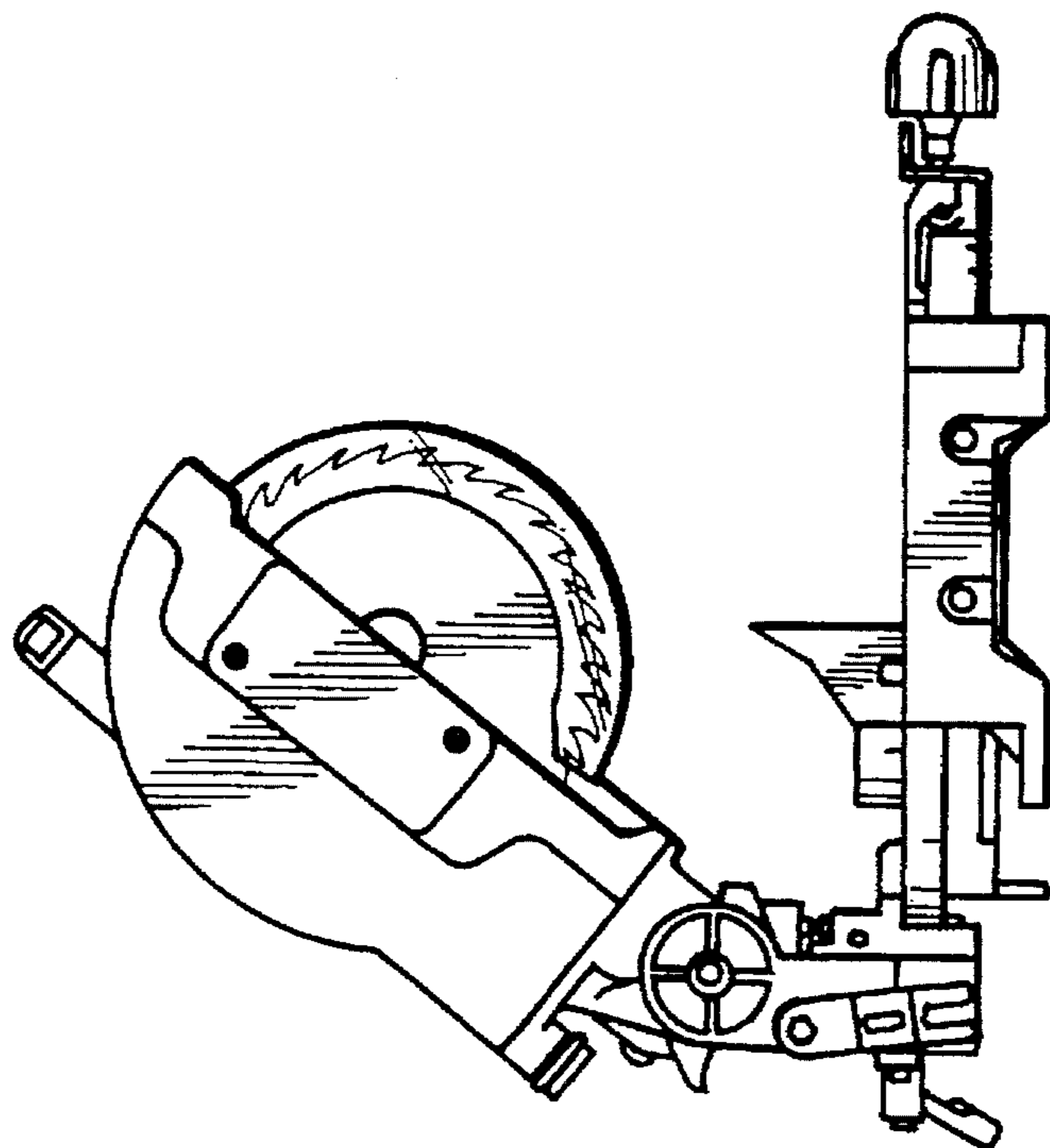


FIG. 4

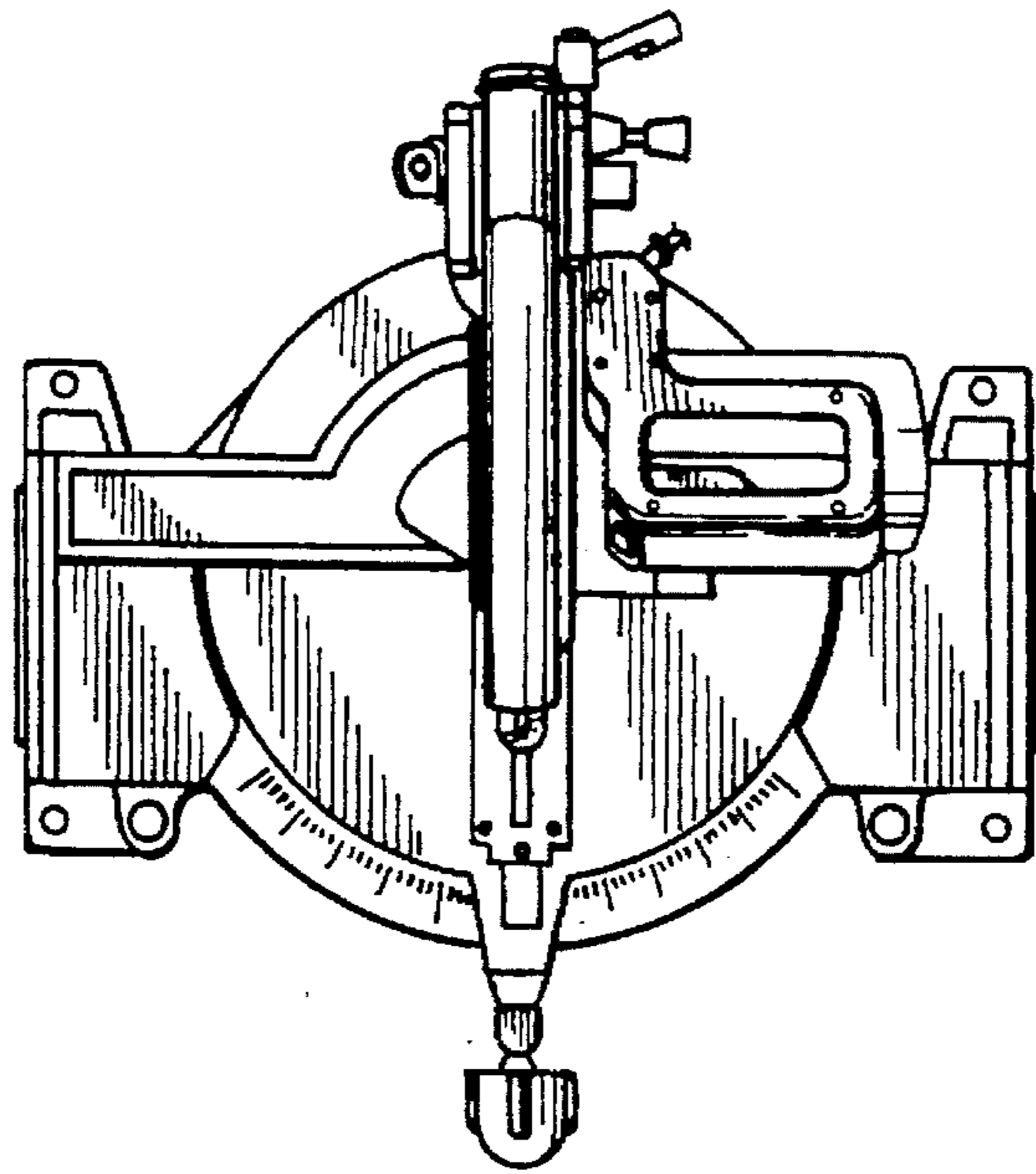


FIG. 6

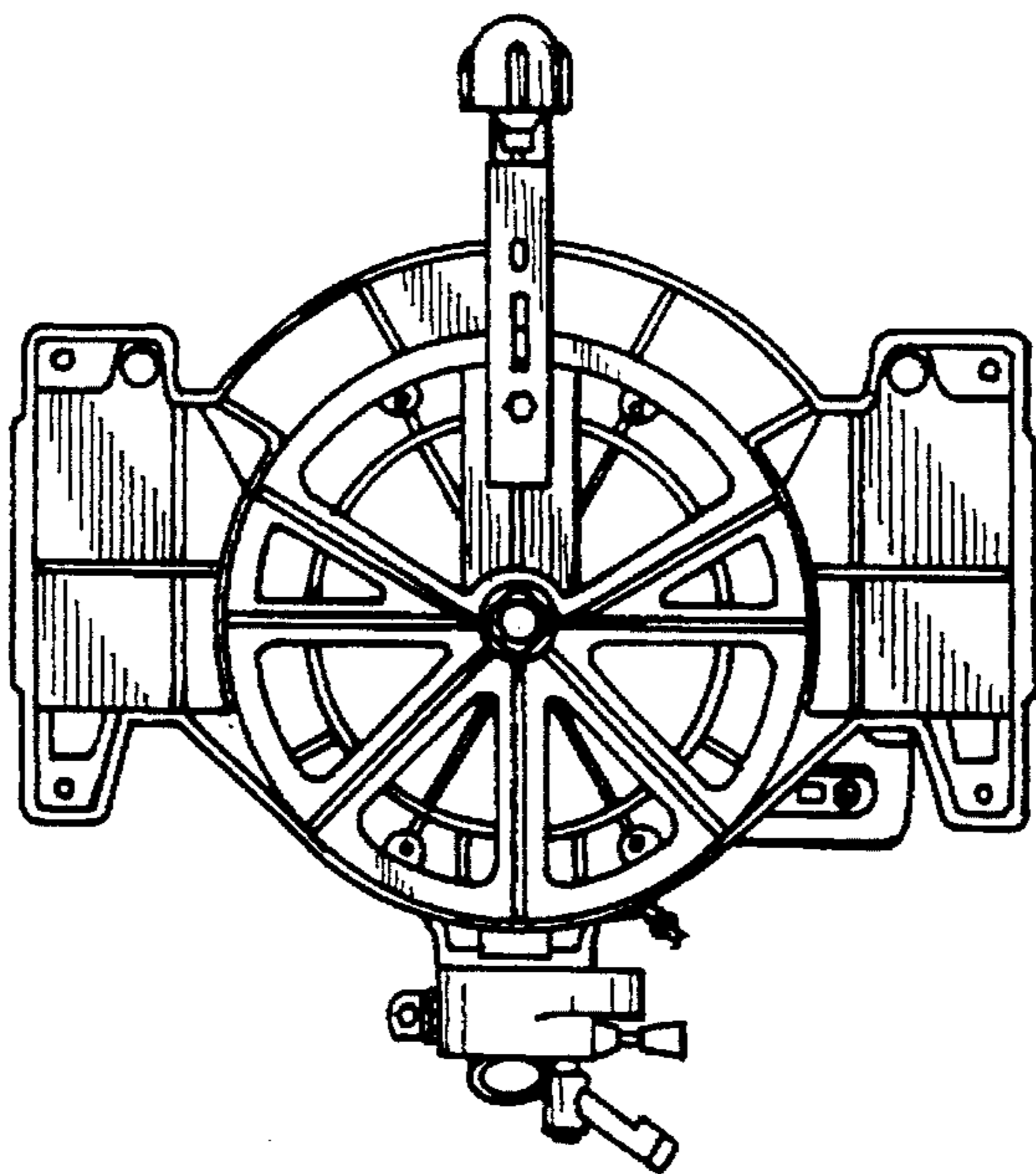


FIG. 7