



US00D366490S

# United States Patent [19]

[11] Patent Number: **Des. 366,490**

**Wu**

[45] Date of Patent: **\*\*Jan. 23, 1996**

[54] SEWING MACHINE

4,217,841 8/1980 Daido et al. .... D15/68

[76] Inventor: **Chao-Jung Wu**, No. 36, 135 Lane,  
Jyh-Shan Rd., Da-Li city, Taichung  
Hsien, Taiwan

*Primary Examiner*—Sandra L. Morris  
*Attorney, Agent, or Firm*—Bacon & Thomas

[\*\*] Term: **14 Years**

[57] **CLAIM**

The ornamental design for a sewing machine, as shown and described.

[21] Appl. No.: **21,534**

**DESCRIPTION**

[22] Filed: **Apr. 20, 1994**

[52] U.S. Cl. .... **D15/69**

FIG. 1 is a front elevational view of a sewing machine, showing my new design;

[58] Field of Search ..... D15/66-72; 112/217.1-217.4,  
112/258-262.1

FIG. 2 is a left side elevational view thereof;

FIG. 3 is a right side elevational view thereof;

FIG. 4 is a top plan view thereof;

FIG. 5 is a bottom plan view thereof;

FIG. 6 is a rear elevational view thereof; and,

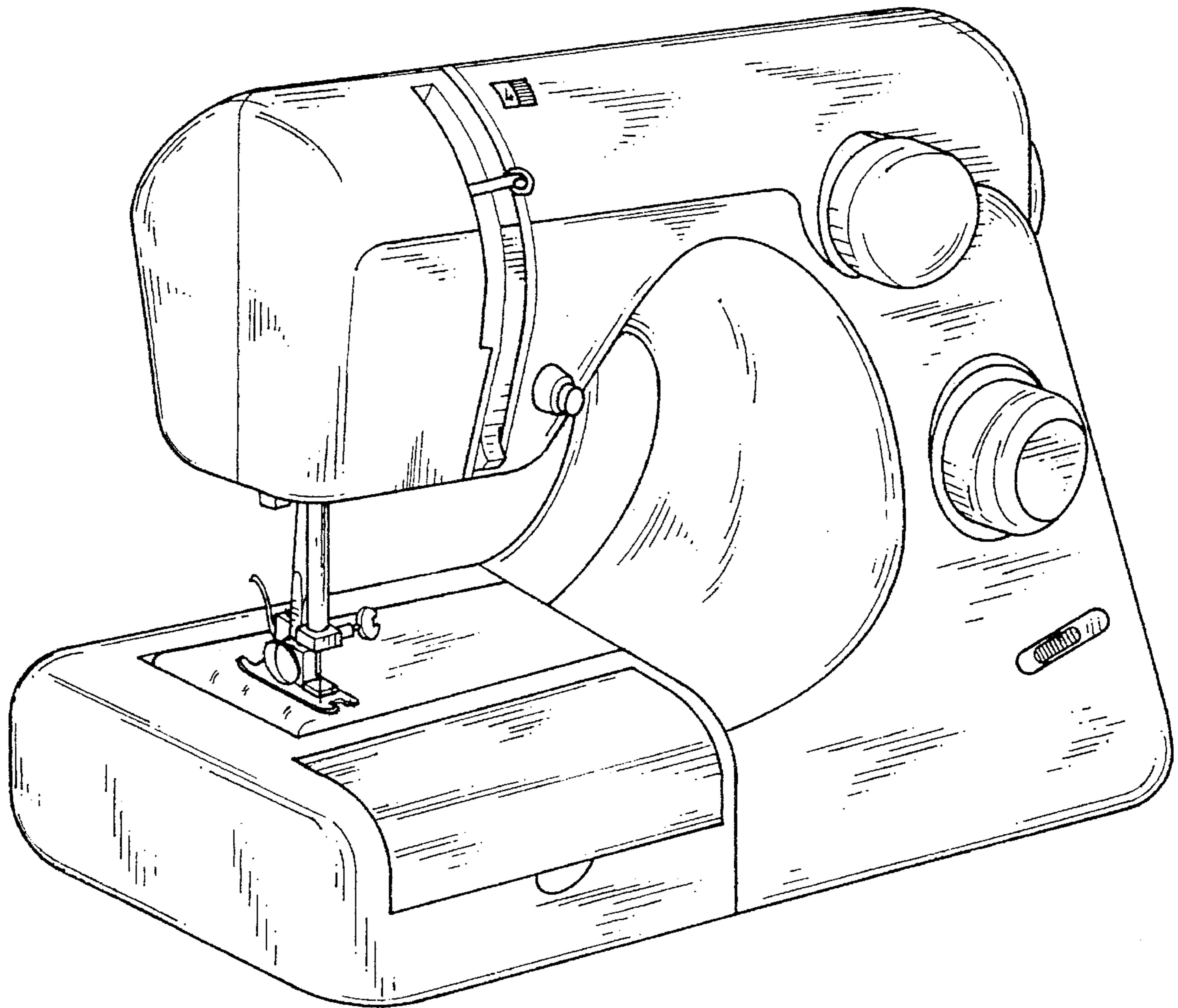
FIG. 7 is a perspective view of a sewing machine showing my new design.

[56] **References Cited**

**U.S. PATENT DOCUMENTS**

D. 188,358	7/1960	Garcia	.....	D15/69
D. 270,535	9/1983	Katsuzaki	.....	D15/70
D. 292,712	11/1987	Aono	.....	D15/70
D. 292,930	11/1987	Yoneda	.....	D15/69

**1 Claim, 7 Drawing Sheets**



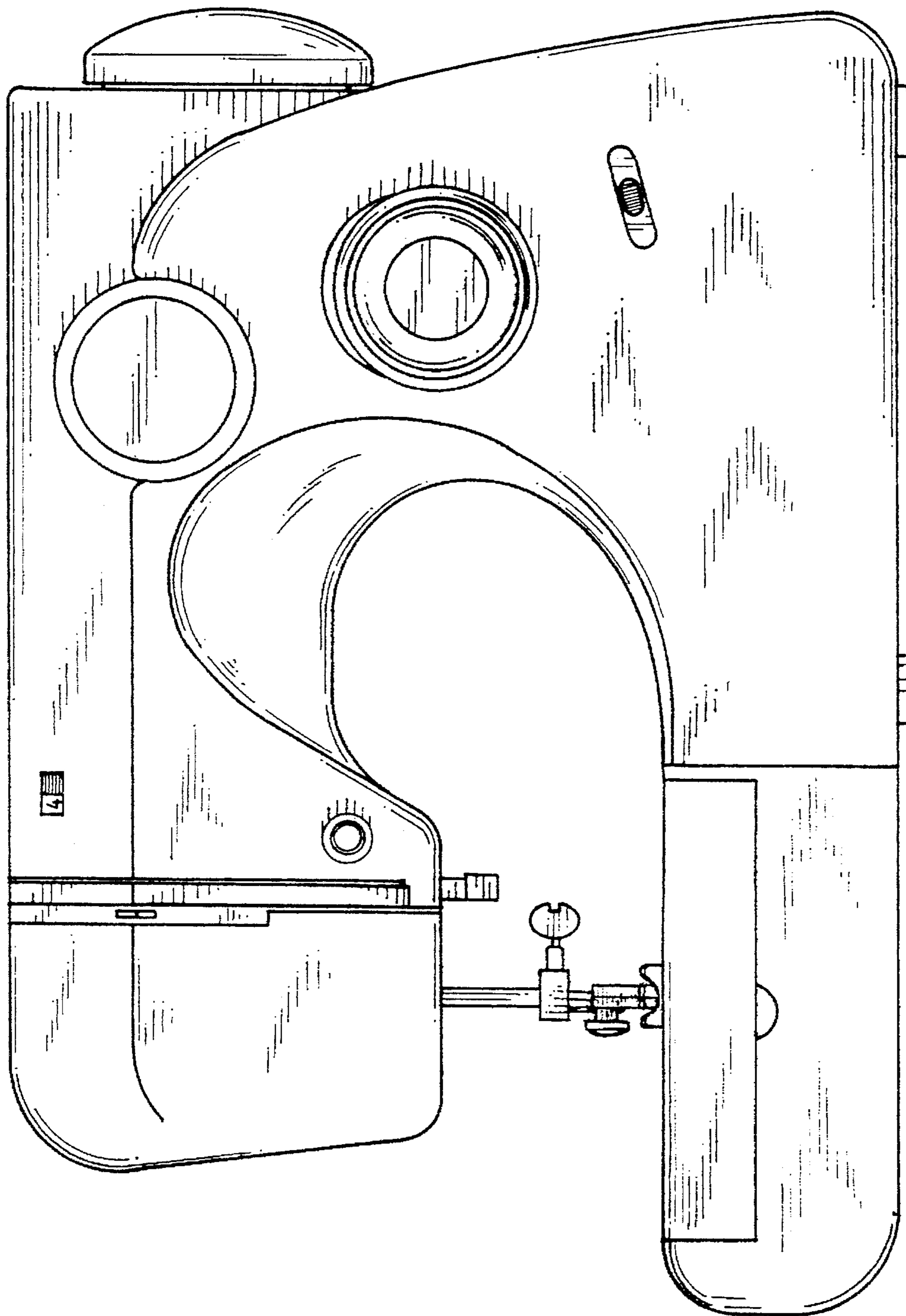


fig 1

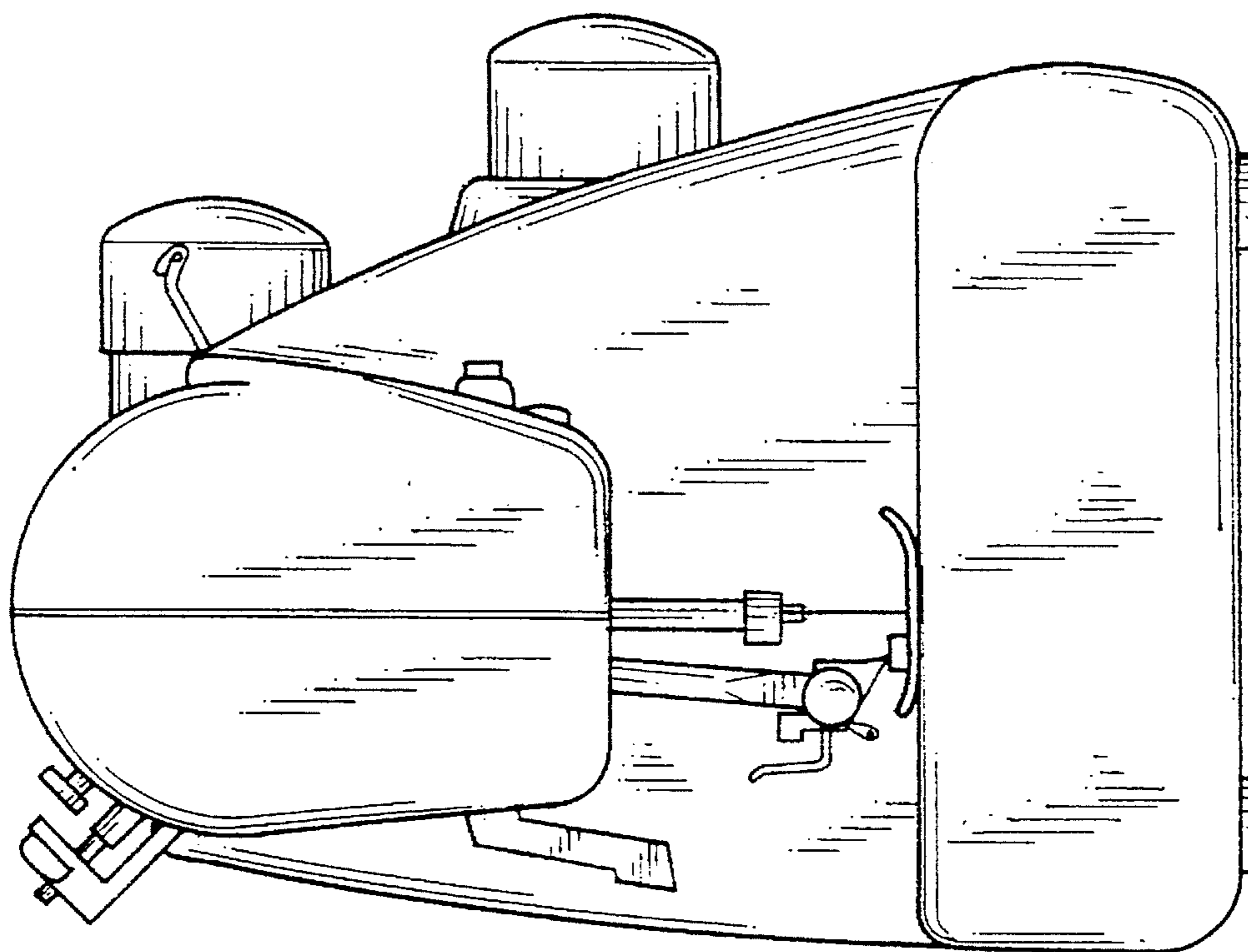


fig 2

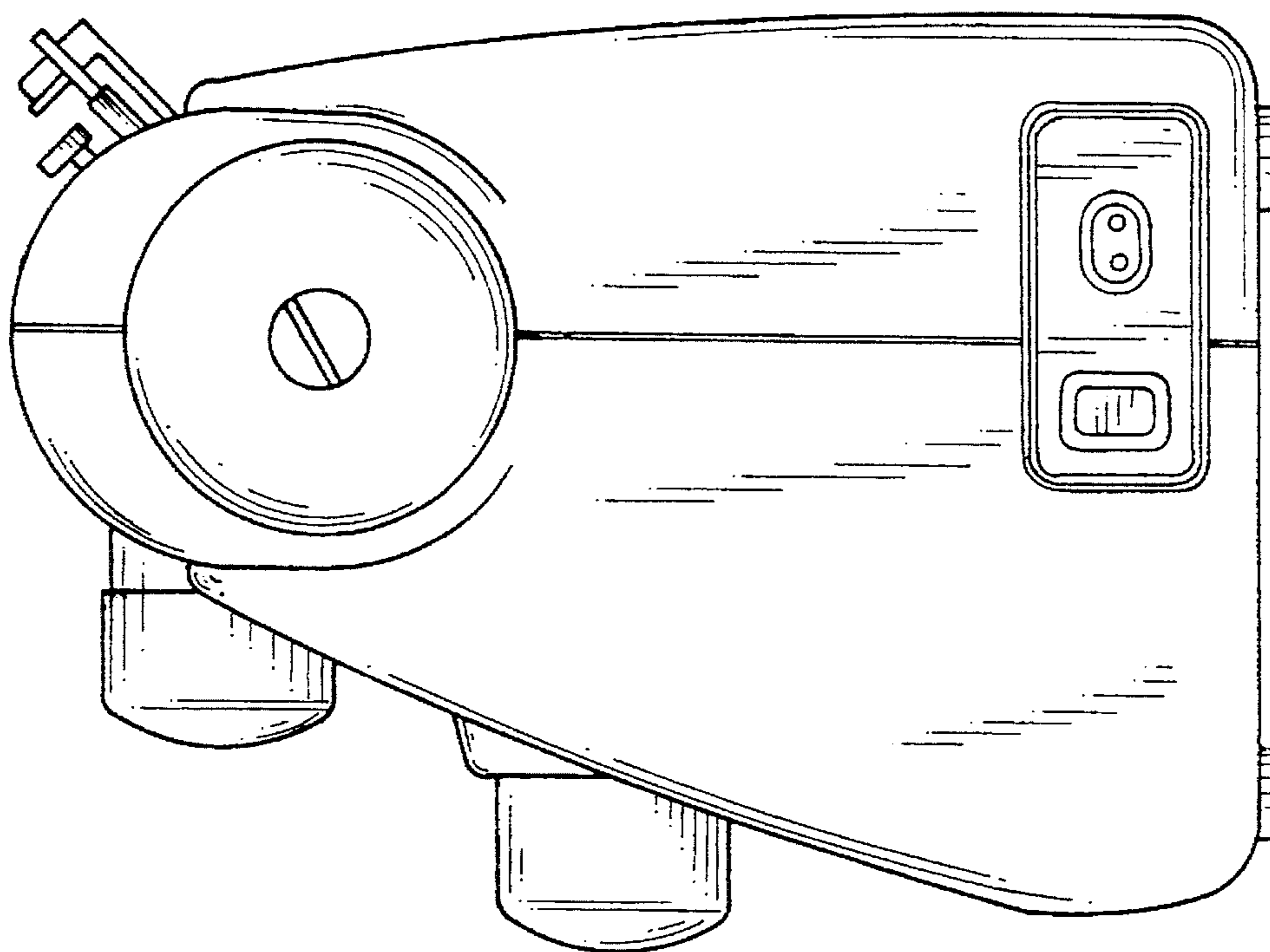


fig 3

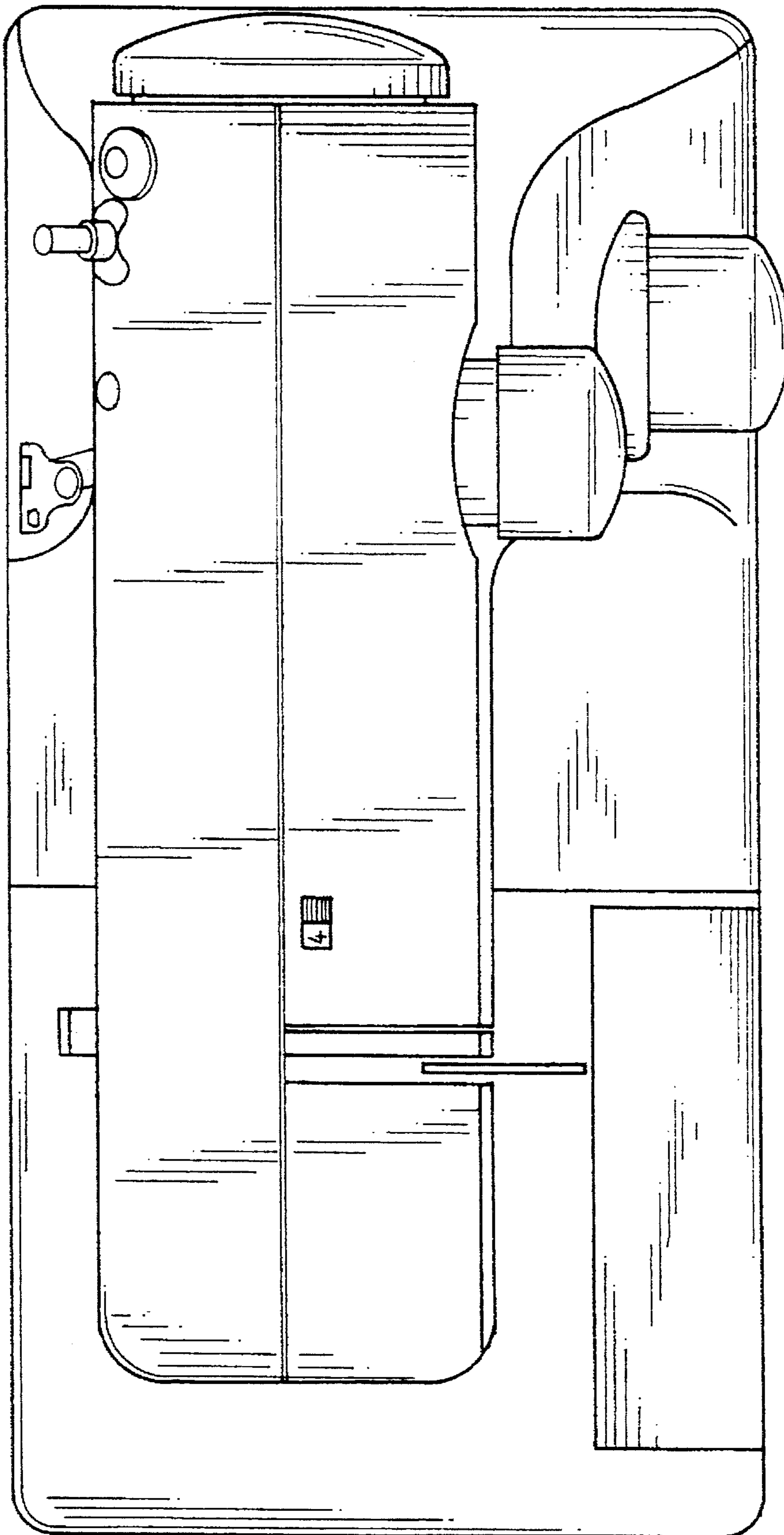


fig 4

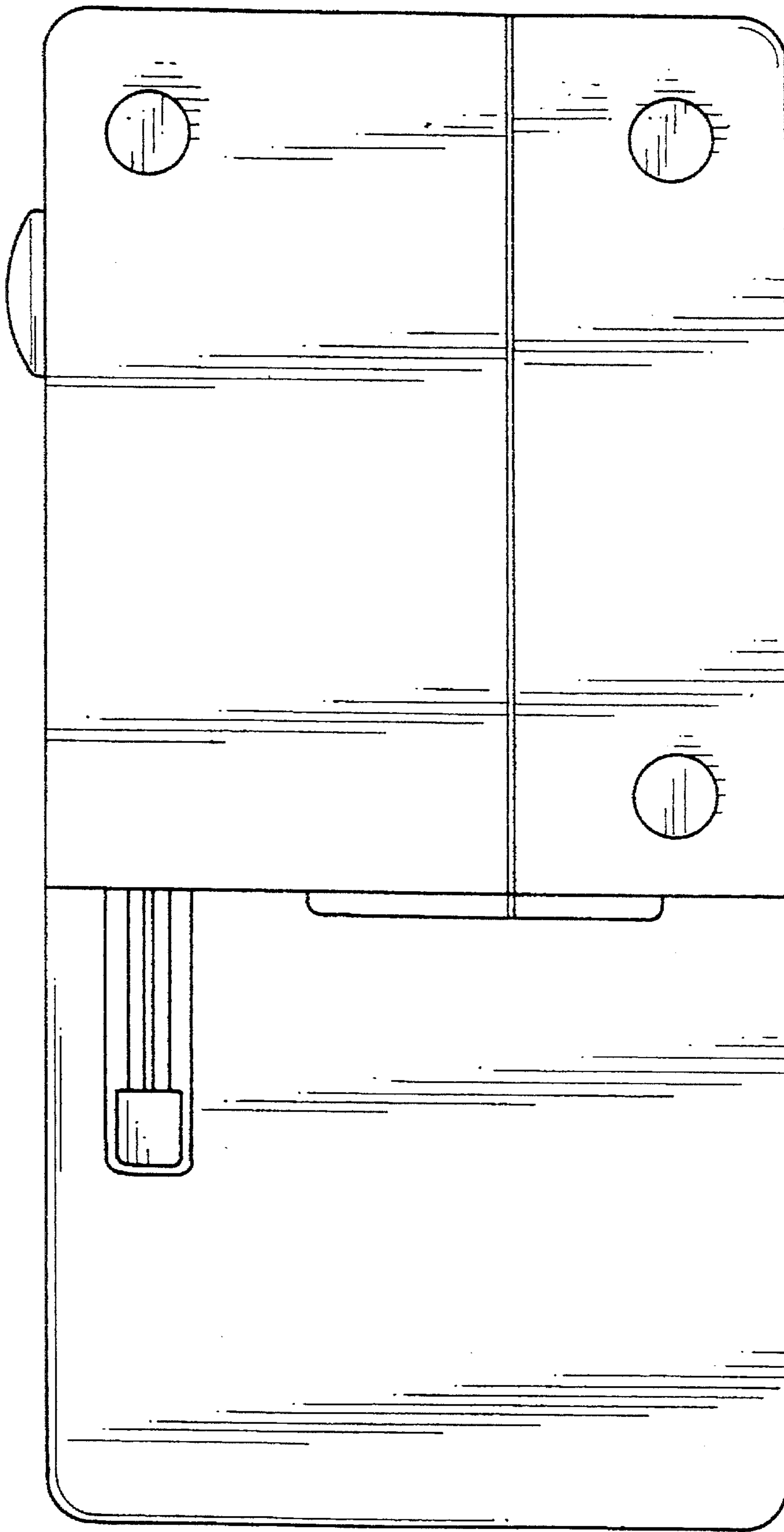


fig 5

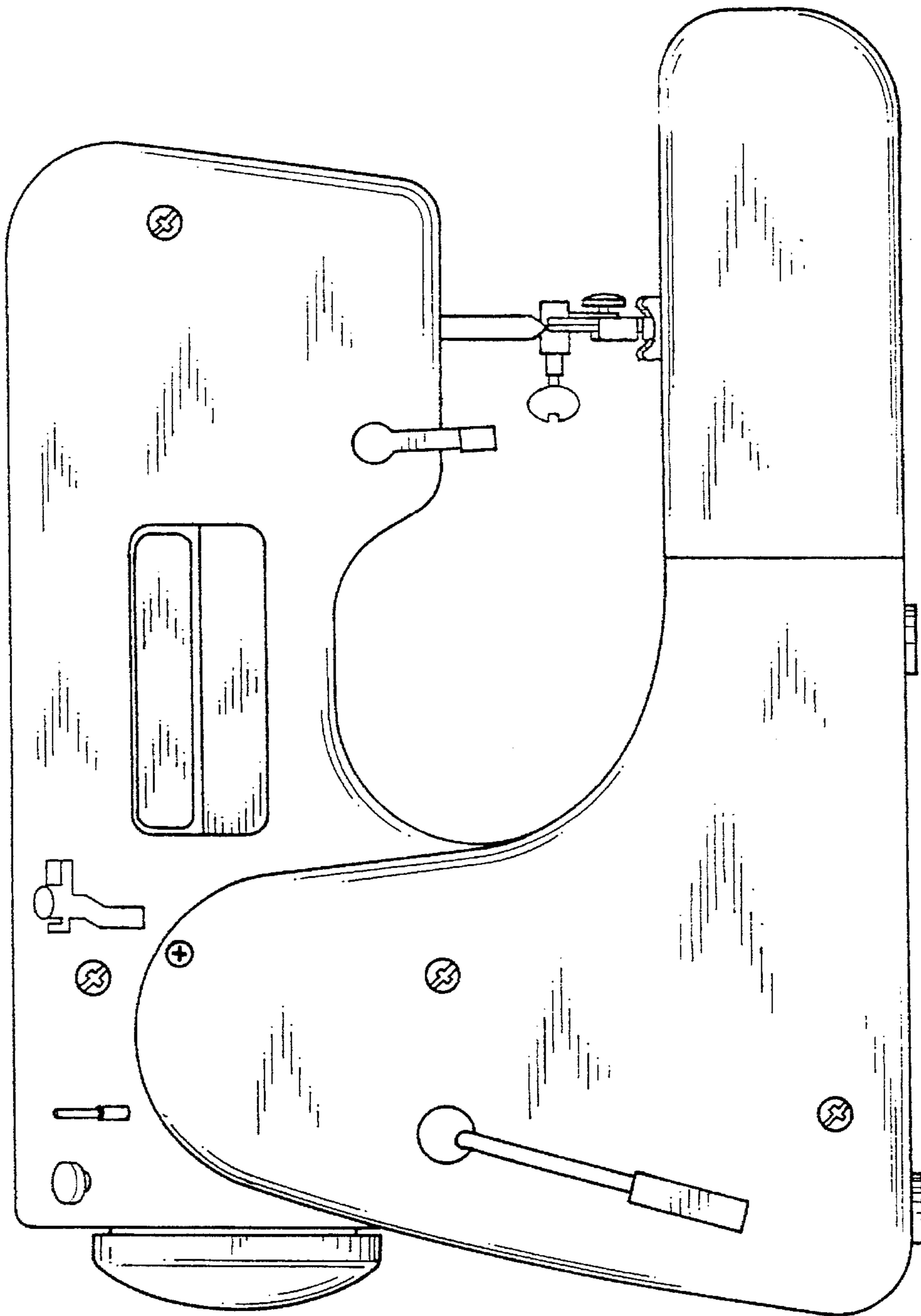


fig 6

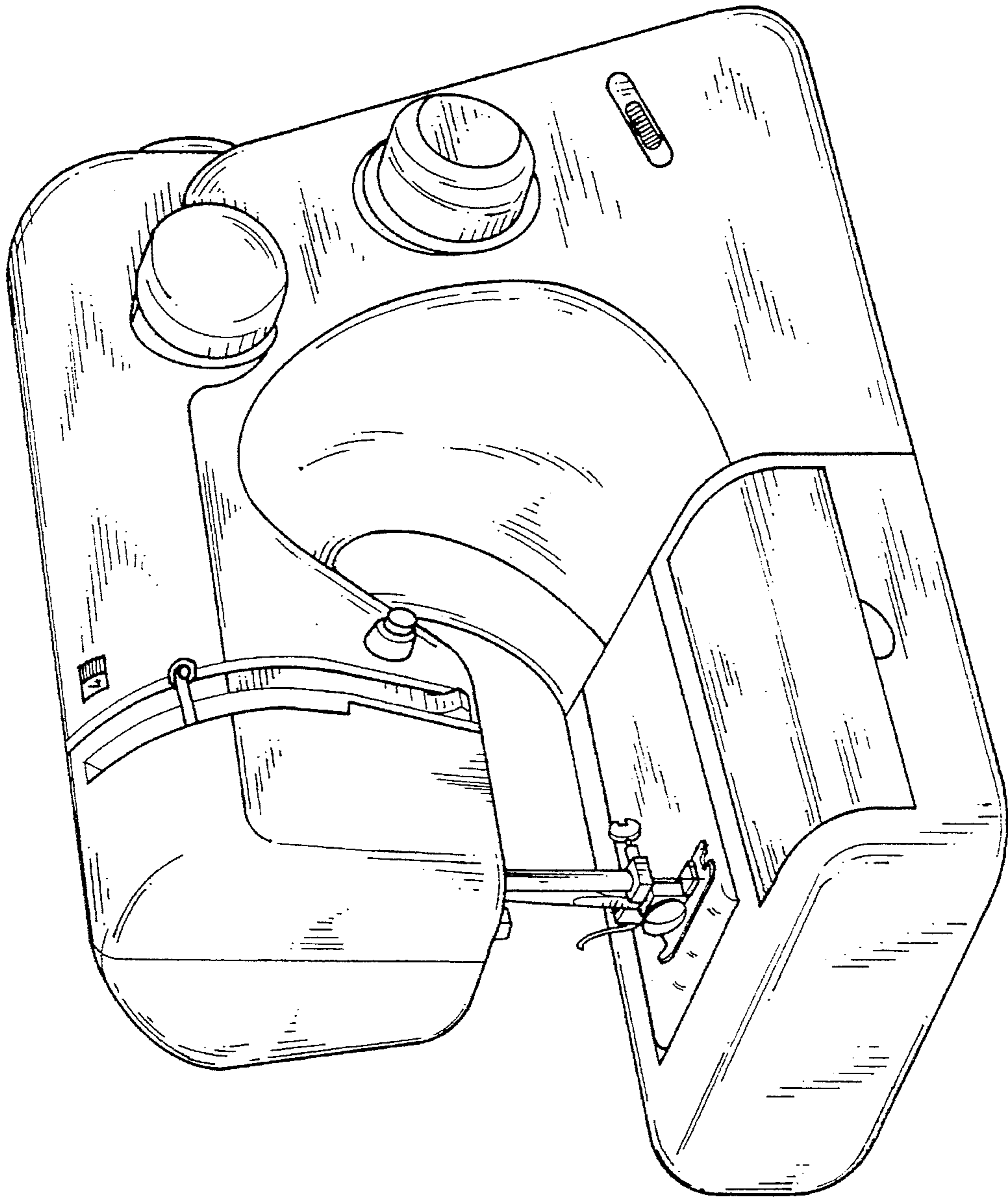


fig 7