



US00D366489S

United States Patent [19]

[11] Patent Number: **Des. 366,489**

Brown

[45] Date of Patent: ****Jan. 23, 1996**

[54] **TELESCOPIC MATERIAL HANDLING VEHICLE**

5,199,861 4/1993 Merlo et al. 180/89.12

OTHER PUBLICATIONS

[75] Inventor: **David J. Brown**, Nr Thirst, England

Implement Tractor, Jun. 1989, p. 29, Quattrino vehicle, top. Progressive Farmer, Jan. 1993, p. 49, Belarus tractor, model 1700.

[73] Assignee: **Caterpillar Inc.**, Peoria, Ill.

Primary Examiner—Ted Shooman
Assistant Examiner—Sandra Morris
Attorney, Agent, or Firm—Calvin E. Glastetter

[**] Term: **14 Years**

[21] Appl. No.: **21,480**

[57] CLAIM

[22] Filed: **Apr. 19, 1994**

[52] U.S. Cl. **D15/22**

The ornamental design for a telescopic material handling vehicle, as shown and described.

[58] Field of Search D15/10, 22-26;
180/41, 89.1, 89.12, 900; 414/592, 618,
633, 680, 785

DESCRIPTION

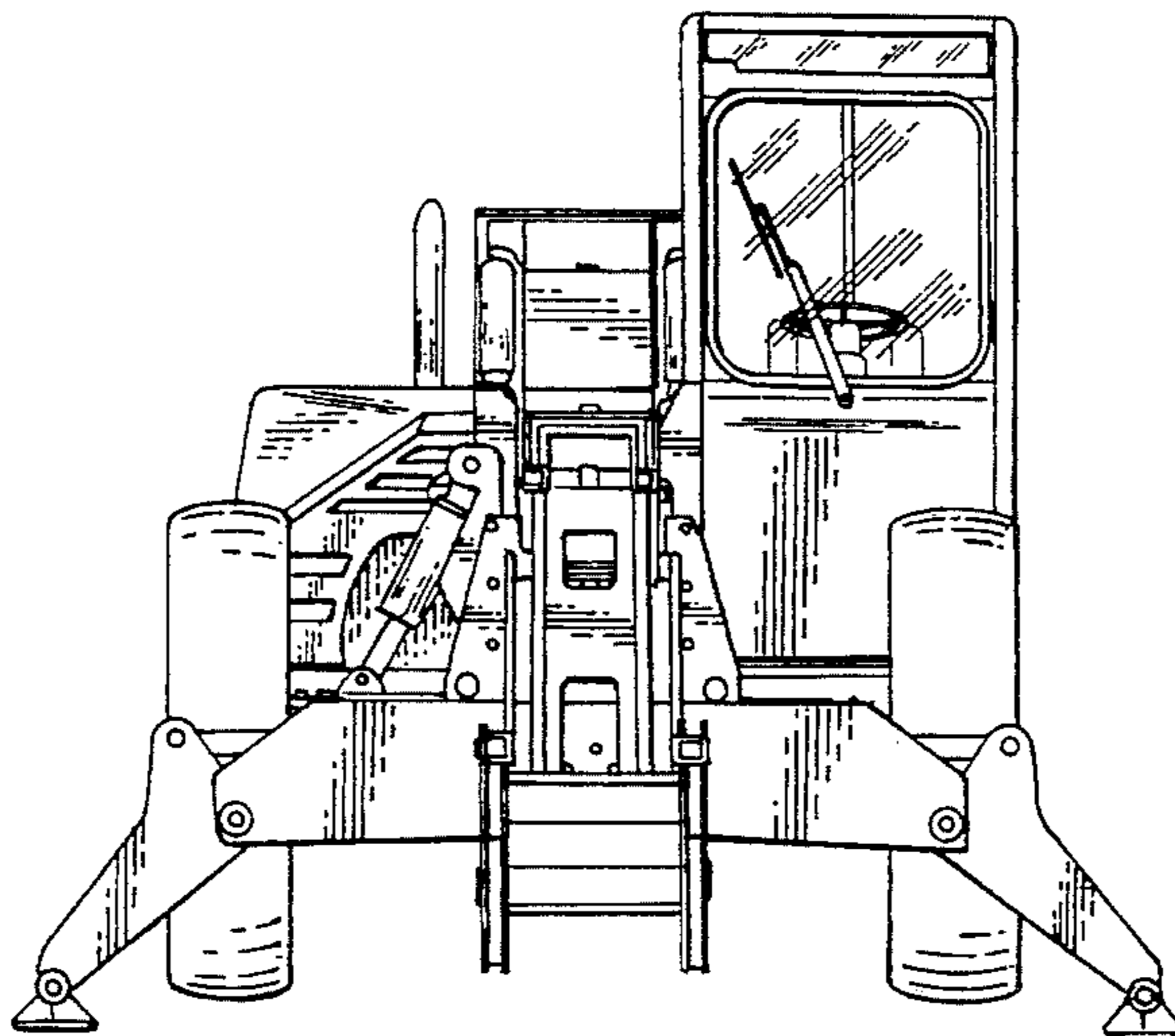
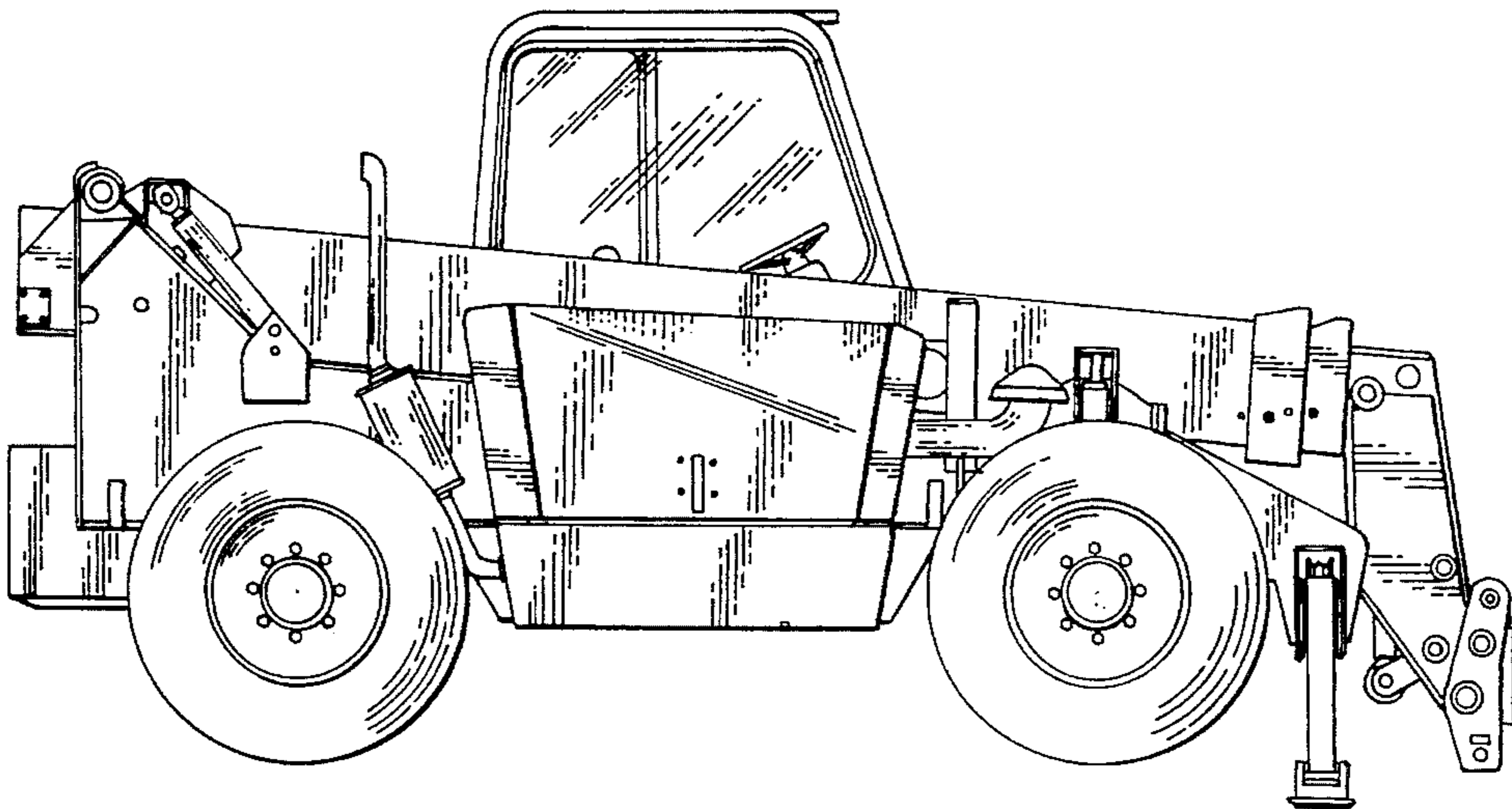
[56] References Cited

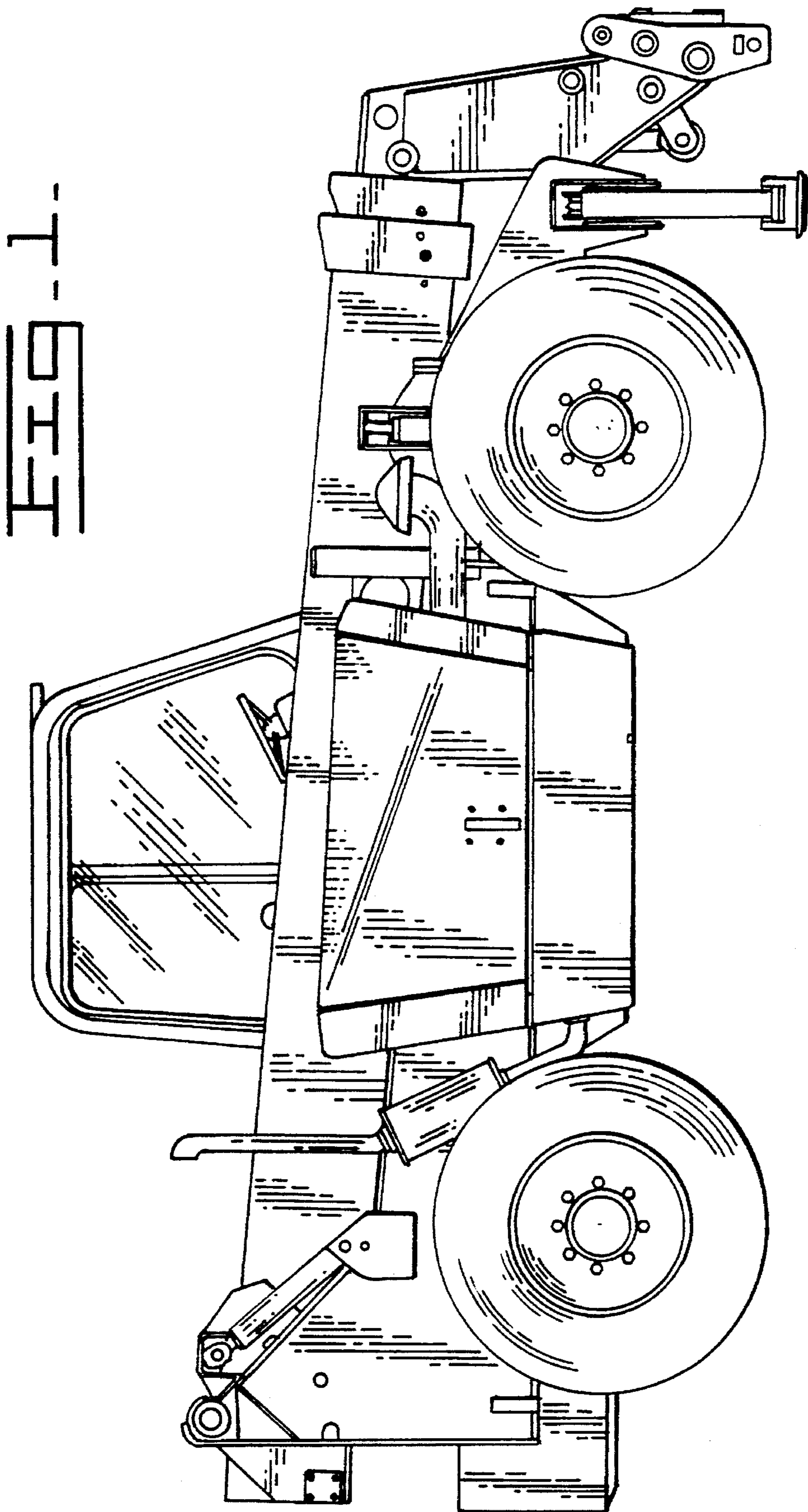
FIG. 1 is a left side elevational view of a telescopic material handling vehicle, showing my new design;
FIG. 2 is a right side elevational view thereof;
FIG. 3 is a front elevational view thereof;
FIG. 4 is a rear elevational view thereof;
FIG. 5 is a top plan view thereof; and,
FIG. 6 is a bottom plan view thereof.

U.S. PATENT DOCUMENTS

D. 256,466	8/1980	Smith et al.	D15/25
D. 286,158	10/1986	Baldwin et al.	D15/23
D. 302,276	7/1989	Briggs et al.	D15/24
D. 316,468	4/1991	Sandrack et al.	D15/23
D. 346,388	4/1994	Silbernagel	D15/22
4,085,815	4/1978	Miller	180/89.1

1 Claim, 5 Drawing Sheets





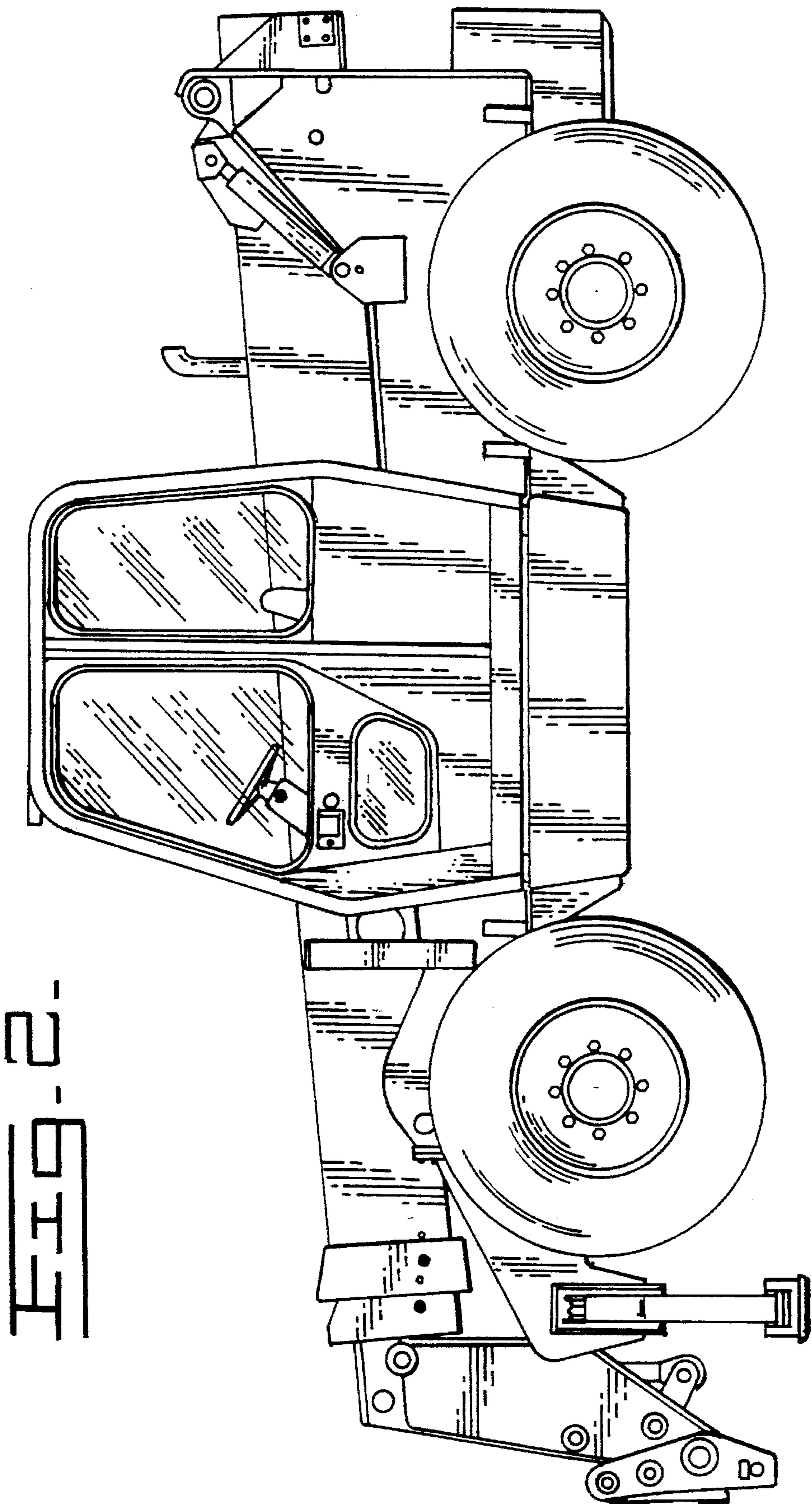


FIG. 3.

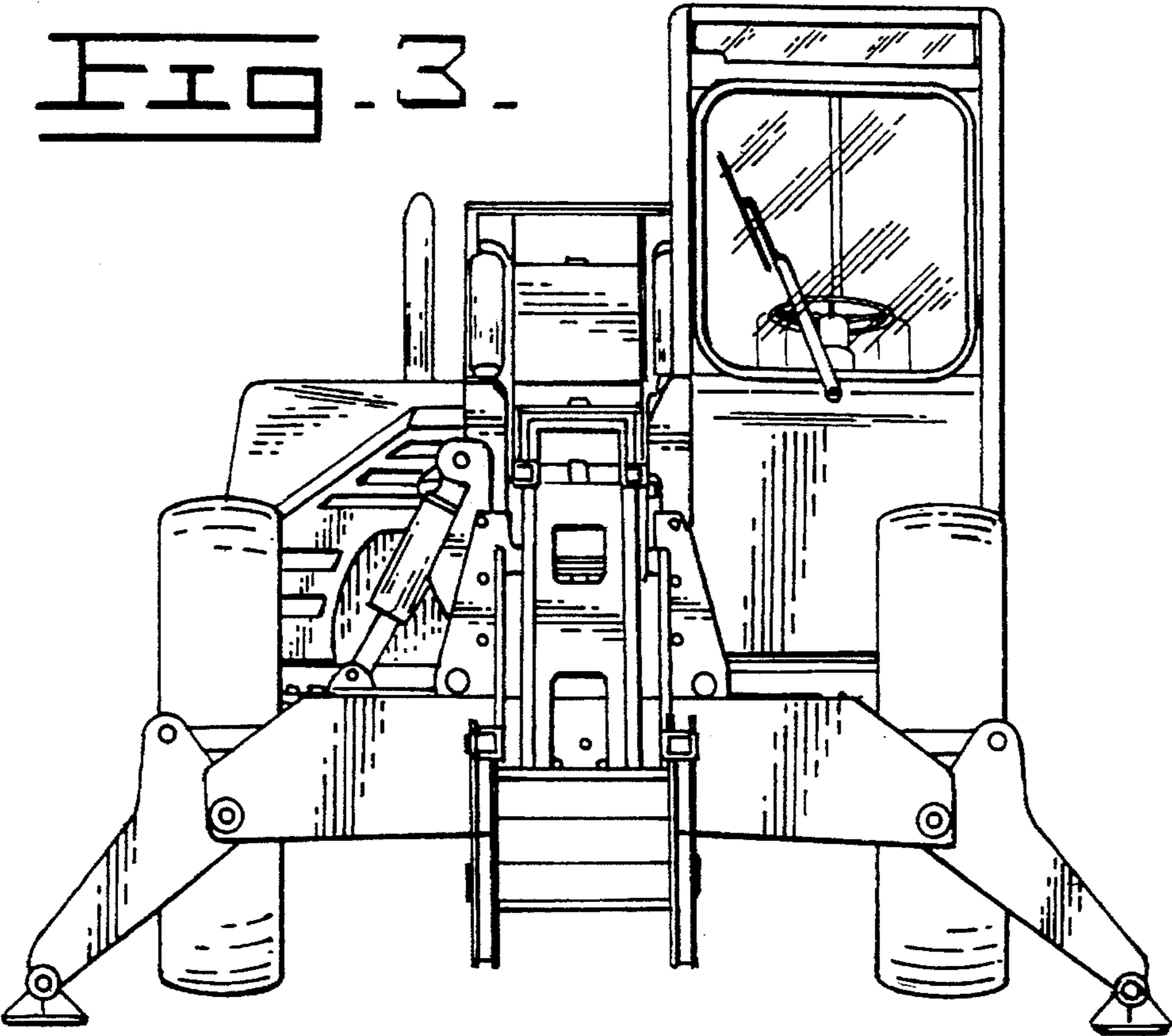


FIG. 4.

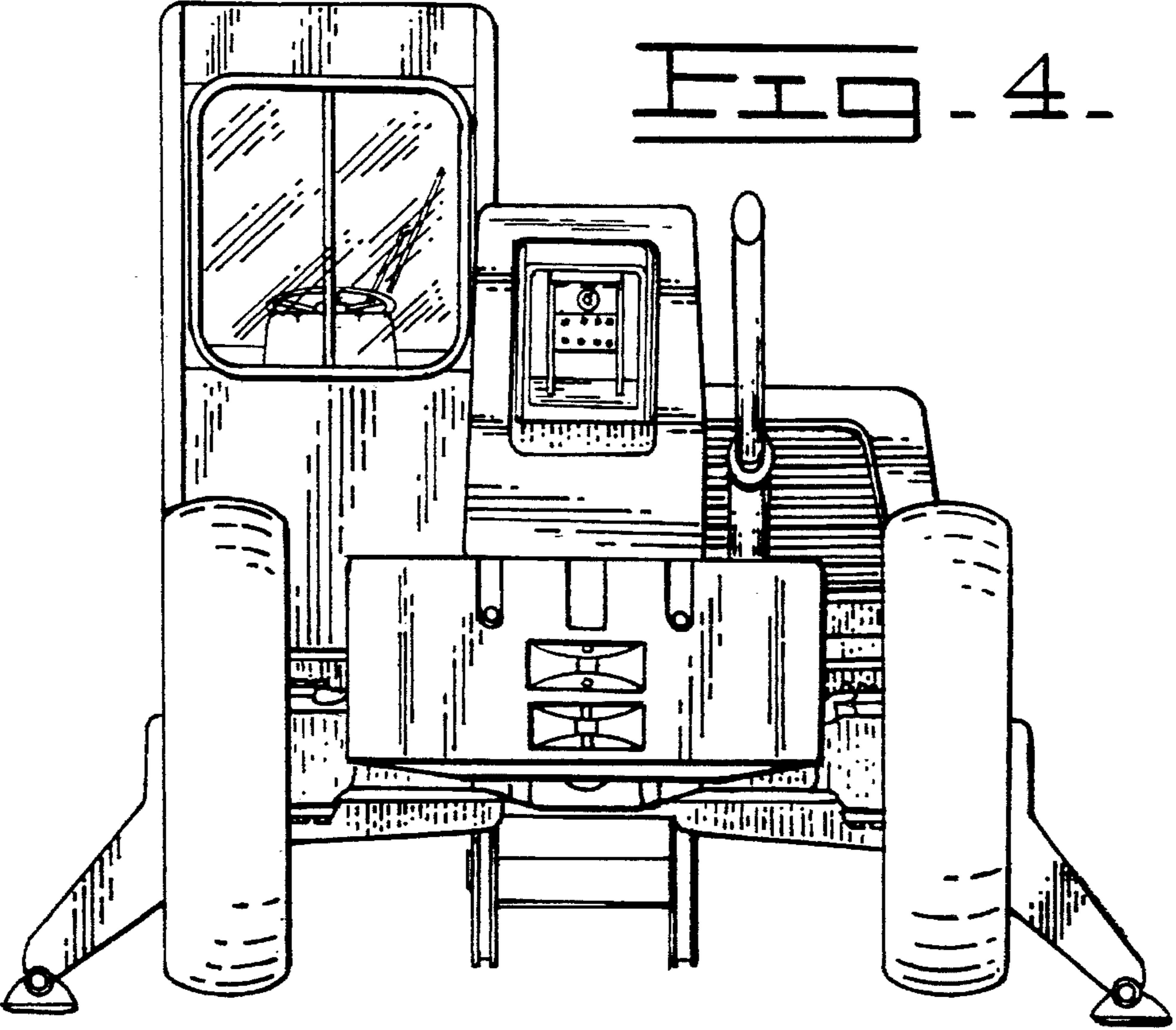


FIG. 5

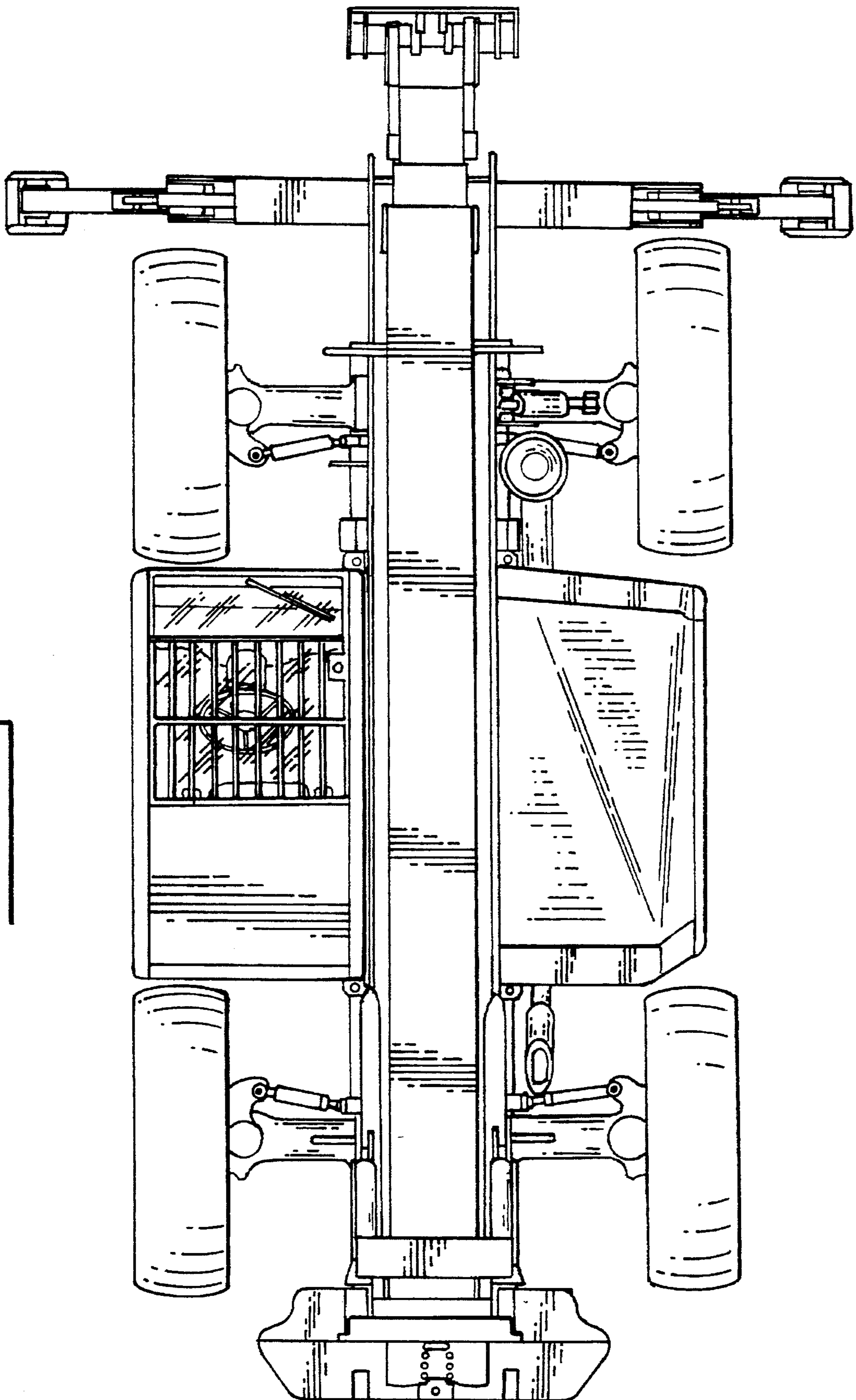


FIG. 6

