



US00D366471S

# United States Patent [19]

[11] Patent Number: **Des. 366,471**

Ito et al.

[45] Date of Patent: **\*\*Jan. 23, 1996**

[54] **DISK DRIVE UNIT**

5,105,414 4/1992 Funabashi et al. .... D14/109 X  
5,355,357 10/1994 Yamamori et al. .... D14/109 X

[75] Inventors: **Masafumi Ito; Shigeru Hasegawa,**  
both of Musashino, Japan

### OTHER PUBLICATIONS

Toshiba CD-ROM XM-4101B Brochure Apr. 1994.

[73] Assignee: **TEAC Corporation,** Japan

*Primary Examiner*—Freda Nunn

[\*\*] Term: **14 Years**

*Attorney, Agent, or Firm*—Andrus, Scales, Starke & Sawall

[21] Appl. No.: **31,505**

### [57] CLAIM

[22] Filed: **Nov. 29, 1994**

The ornamental design for a disk drive unit, as shown and described.

### [30] Foreign Application Priority Data

### DESCRIPTION

Jun. 22, 1994 [JP] Japan ..... 6-18442

[52] **U.S. Cl.** ..... **D14/109**

[58] **Field of Search** ..... D14/100, 102,  
D14/107-109; D13/162, 184, 199; 360/97.01,  
97.04, 98.01, 99.01, 99.12; 361/600, 622,  
694, 724-728; 369/75.2

FIG. 1 is a front view of disk drive unit showing our new design;

FIG. 2 is a rear view thereof;

FIG. 3 is a right side view thereof, the left side view being a mirror image of the right side;

FIG. 4 is a top view thereof;

FIG. 5 is a bottom view thereof; and,

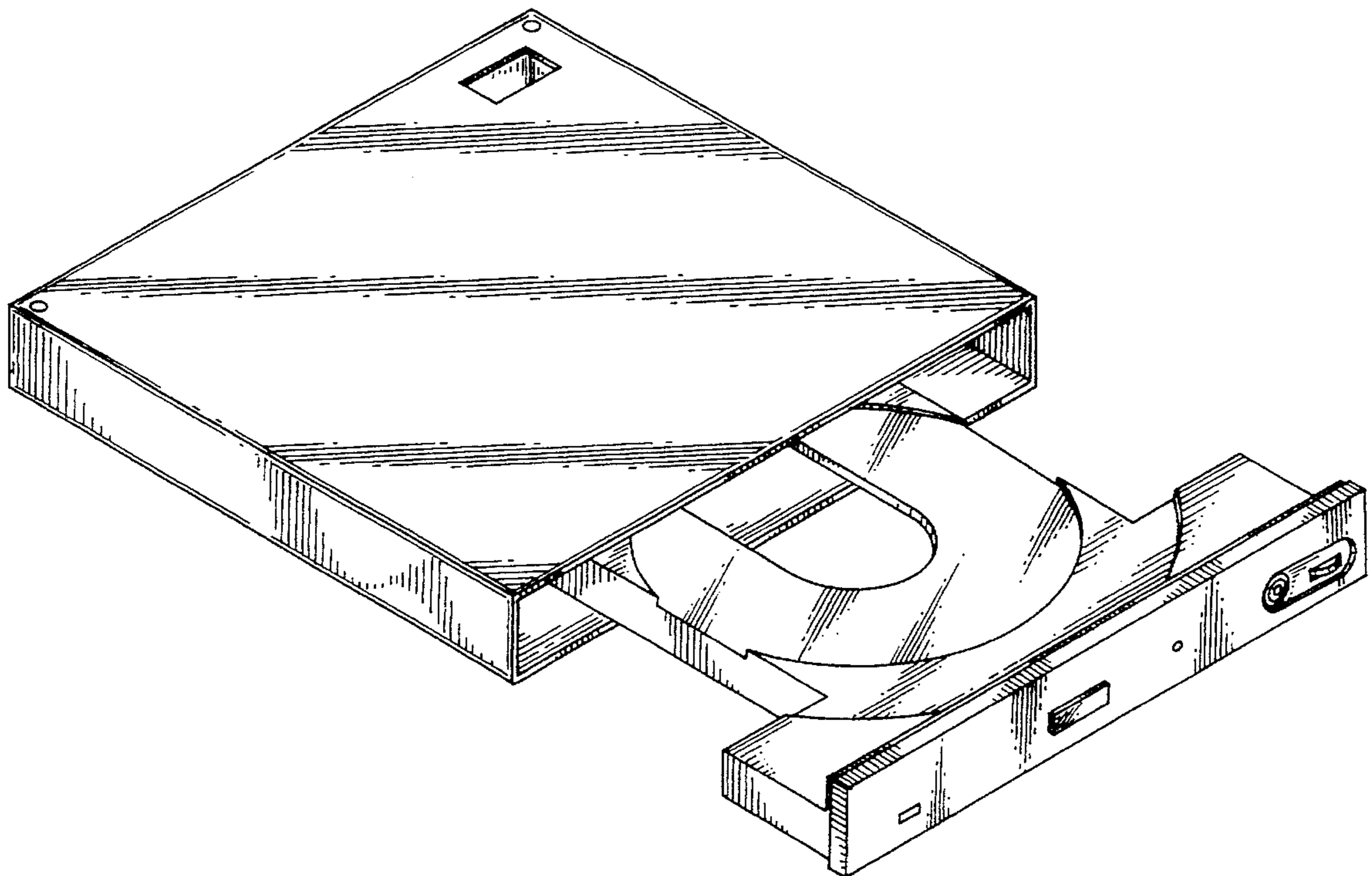
FIG. 6 is a perspective view thereof in a state where a disk tray is drawn out.

### [56] References Cited

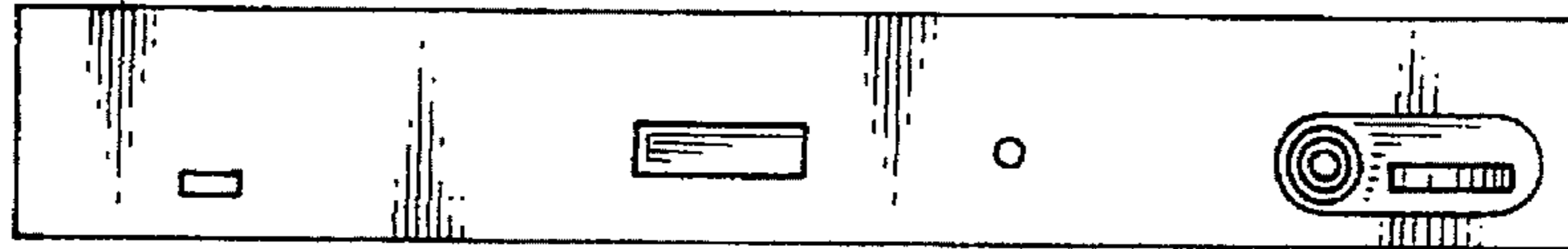
#### U.S. PATENT DOCUMENTS

D. 359,276 6/1995 Kurihara et al. .... D14/109  
3,899,794 8/1975 Brown, Jr. .... D14/109 X

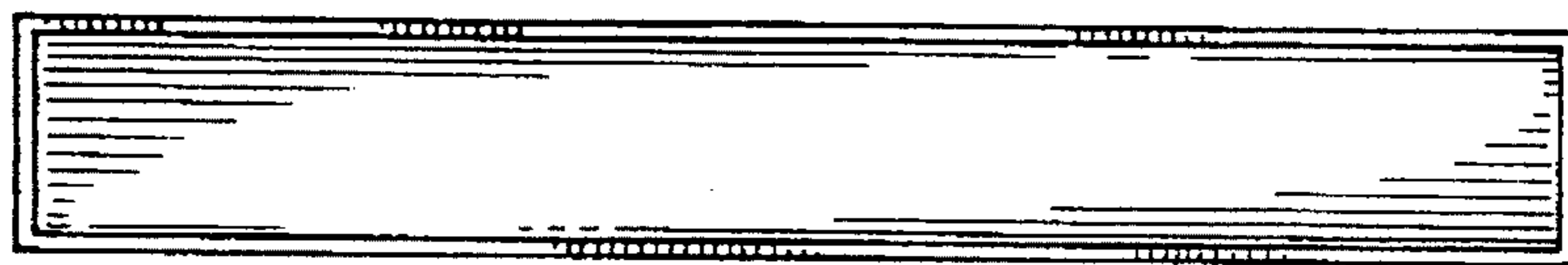
**1 Claim, 3 Drawing Sheets**



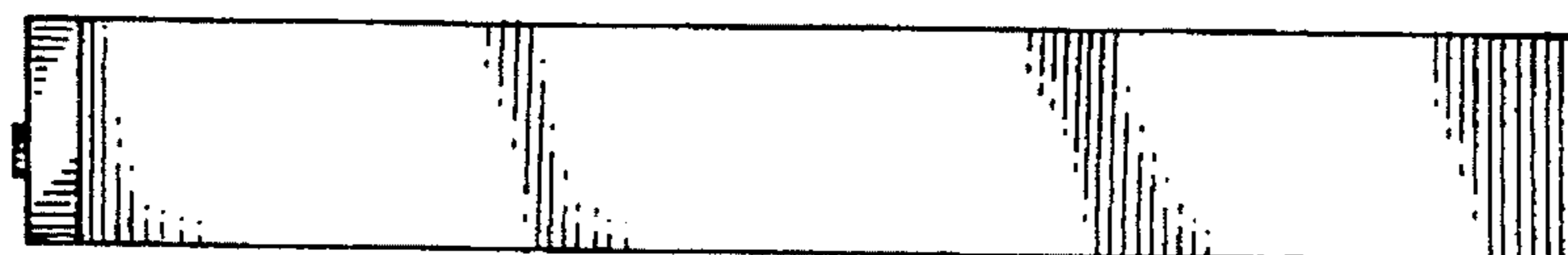
**FIG. 1**



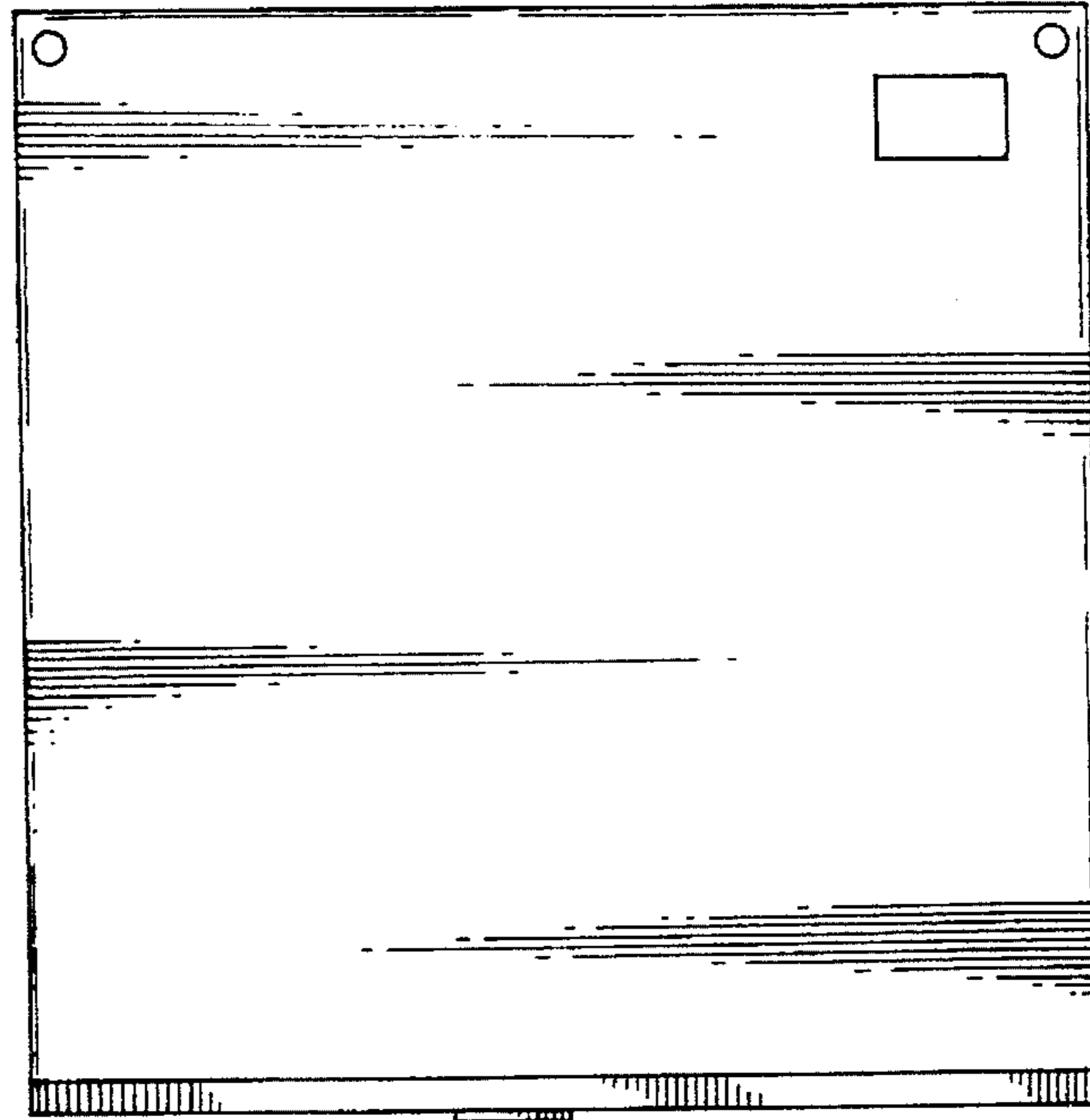
**FIG. 2**



**FIG. 3**



**FIG. 4**



**FIG. 5**

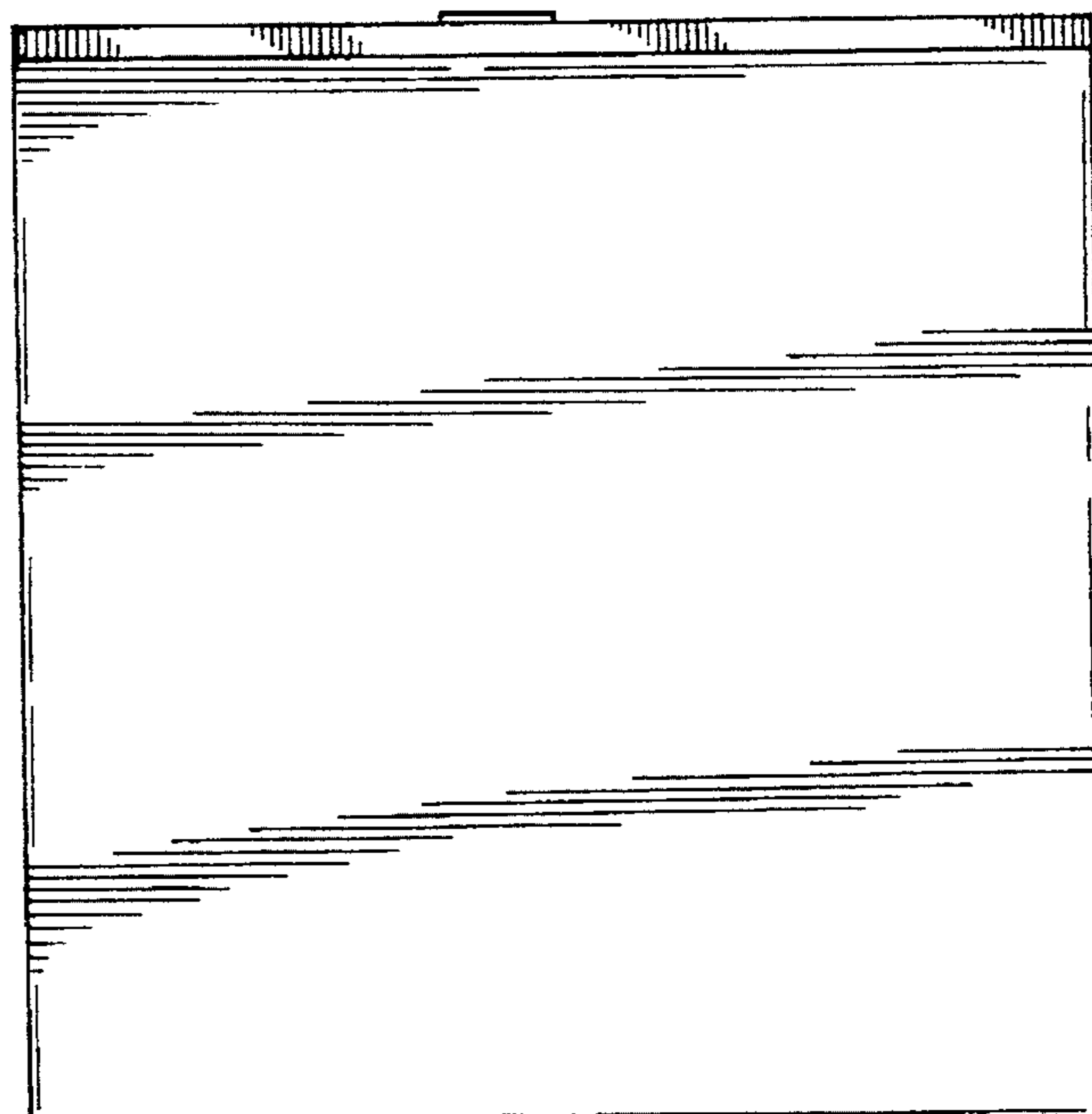


FIG. 6

