



US00D366470S

# United States Patent [19]

[11] Patent Number: **Des. 366,470**

**Youens et al.**

[45] Date of Patent: **\*\*Jan. 23, 1996**

[54] **EXPANSION PORT CONVERTER FOR NOTEBOOK PERSONAL COMPUTER**

*Attorney, Agent, or Firm*—L. Jon Lindsay

[75] Inventors: **John E. Youens**, Tomball, Tex.;  
**Christopher M. Paddon**, Santa Cruz, Calif.

[57] **CLAIM**

The ornamental design for an expansion port converter for notebook personal computer, as shown and described.

[73] Assignee: **Compaq Computer Corporation**, Houston, Tex.

**DESCRIPTION**

[\*\*] Term: **14 Years**

FIG. 1 is a front, left side, top perspective view of an expansion port converter for notebook personal computer showing our new design in an operative position with a notebook personal computer and an expansion base being shown in broken lines for illustrative purposes only and forming no part of the claimed design;

[21] Appl. No.: **16,941**

[22] Filed: **Dec. 30, 1993**

FIG. 2 is a rear, left side, top perspective view thereof with a notebook personal computer being shown in broken lines for illustrative purposes only and forming no part of the claimed design;

[52] U.S. Cl. .... **D14/107**

[58] Field of Search ..... D14/100, 107,  
D14/114; 361/683-686; 364/708.1; 439/95,  
284, 357, 372

FIG. 3 is a rear elevational view thereof;

[56] **References Cited**

**U.S. PATENT DOCUMENTS**

5,159,533 10/1992 Kuang ..... 361/685  
5,182,698 1/1993 Kobayashi et al. .... 361/686

FIG. 4 is a right side elevational view thereof;

FIG. 5 is a left side elevational view thereof;

**FOREIGN PATENT DOCUMENTS**

728519 4/1988 Japan ..... D14/107  
754221 2/1989 Japan ..... D14/107

FIG. 6 is a top plan view thereof;

FIG. 7 is a front, left side, top perspective view thereof;

FIG. 8 is a front elevational view thereof; and,

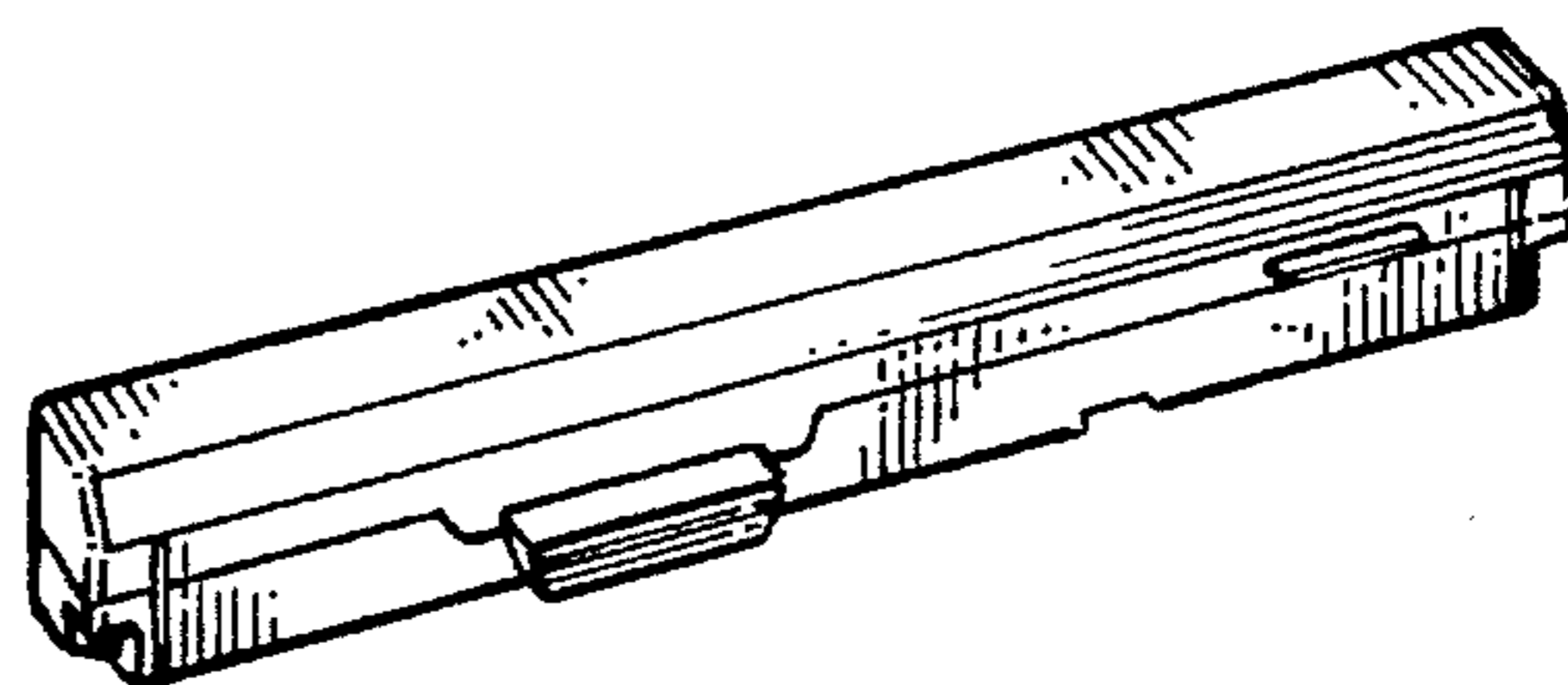
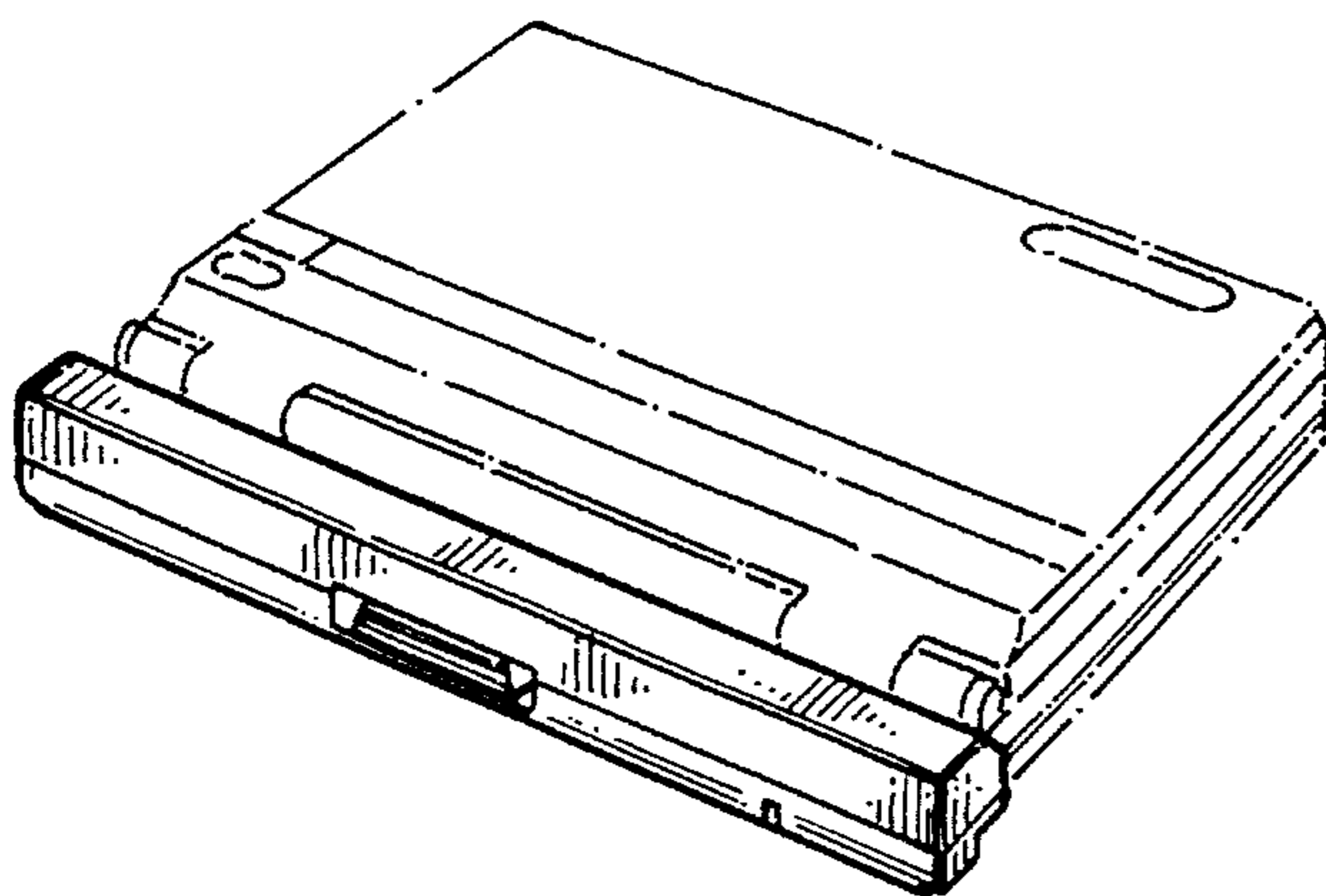
FIG. 9 is a bottom plan view thereof.

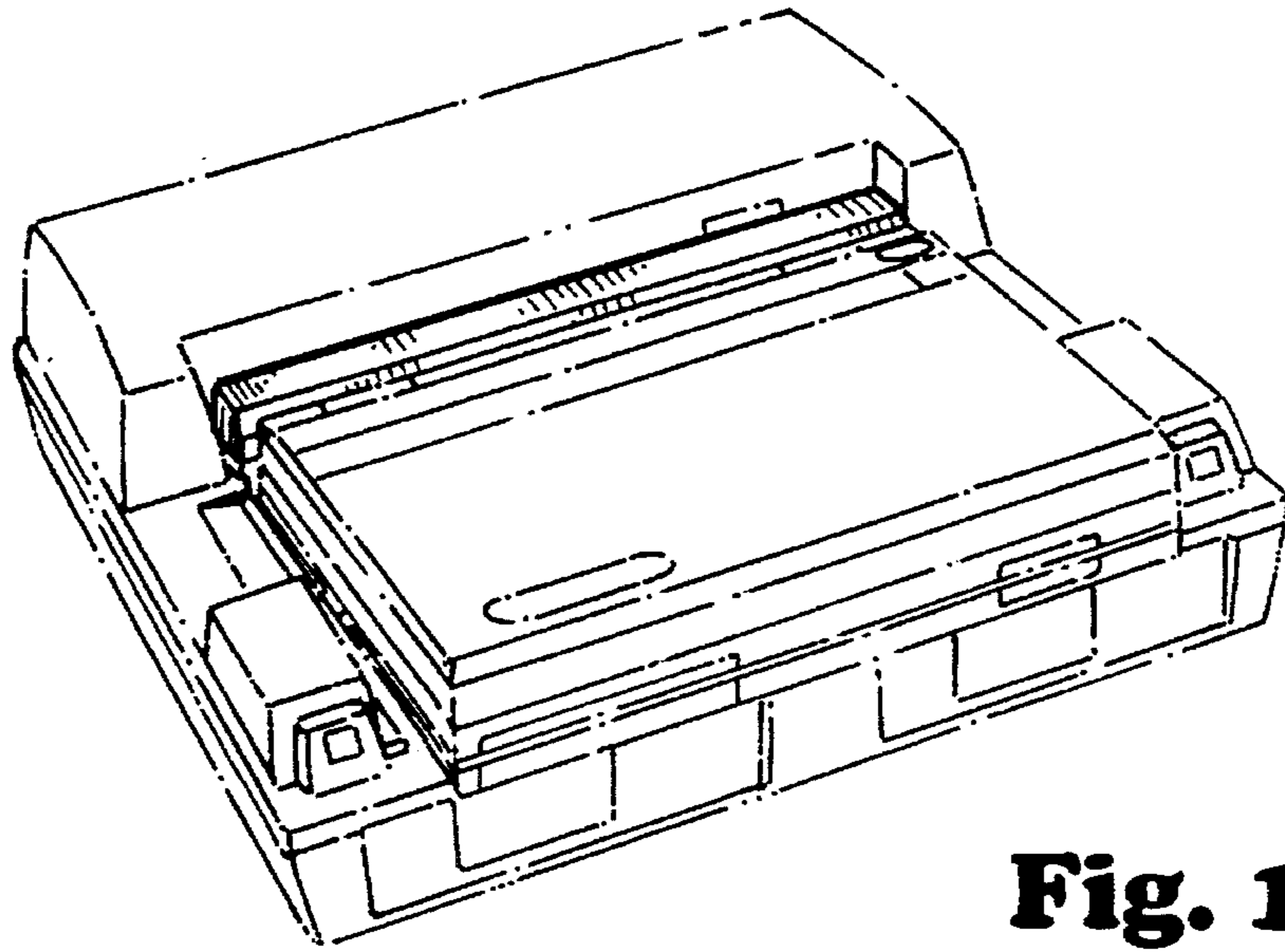
**OTHER PUBLICATIONS**

Serial/Parallel Aclapter from IBM, Oct. 1986.

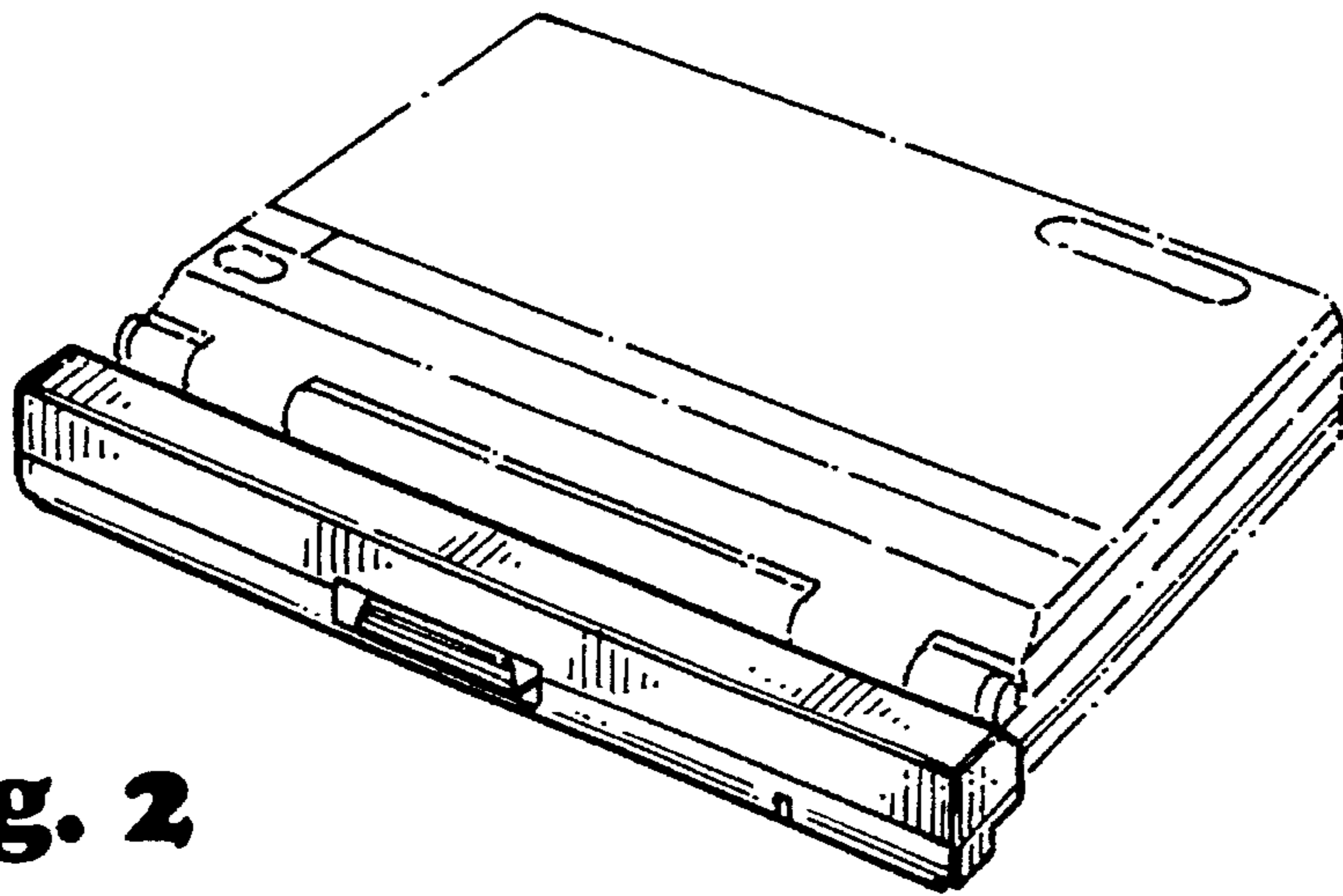
*Primary Examiner*—Freda S. Nunn

**1 Claim, 2 Drawing Sheets**

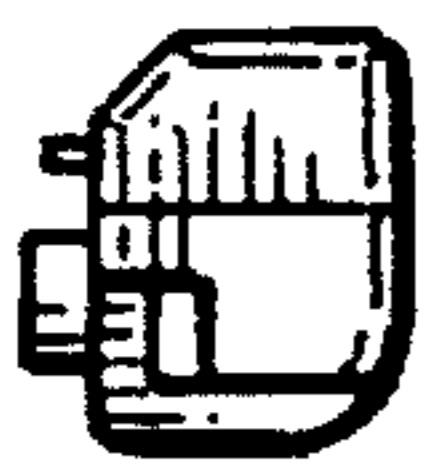




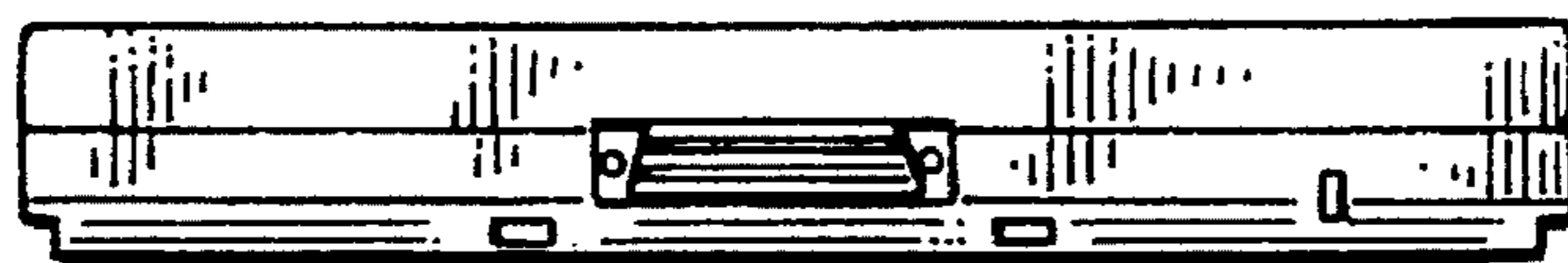
**Fig. 1**



**Fig. 2**



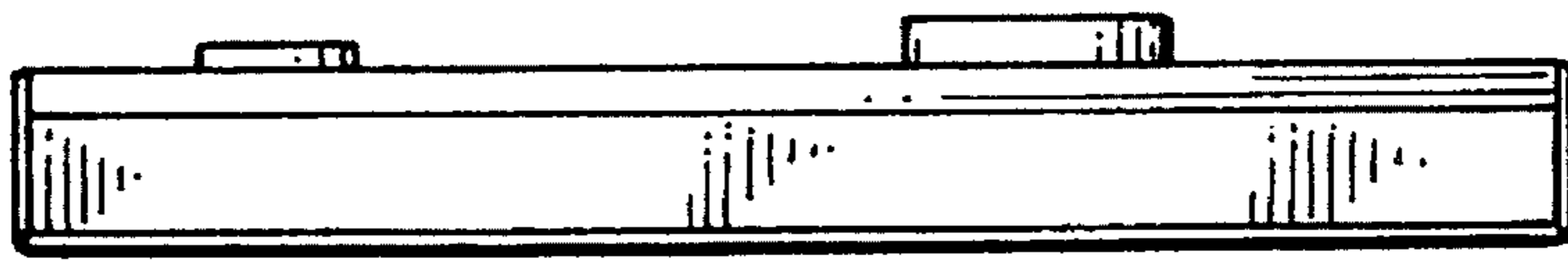
**Fig. 4**



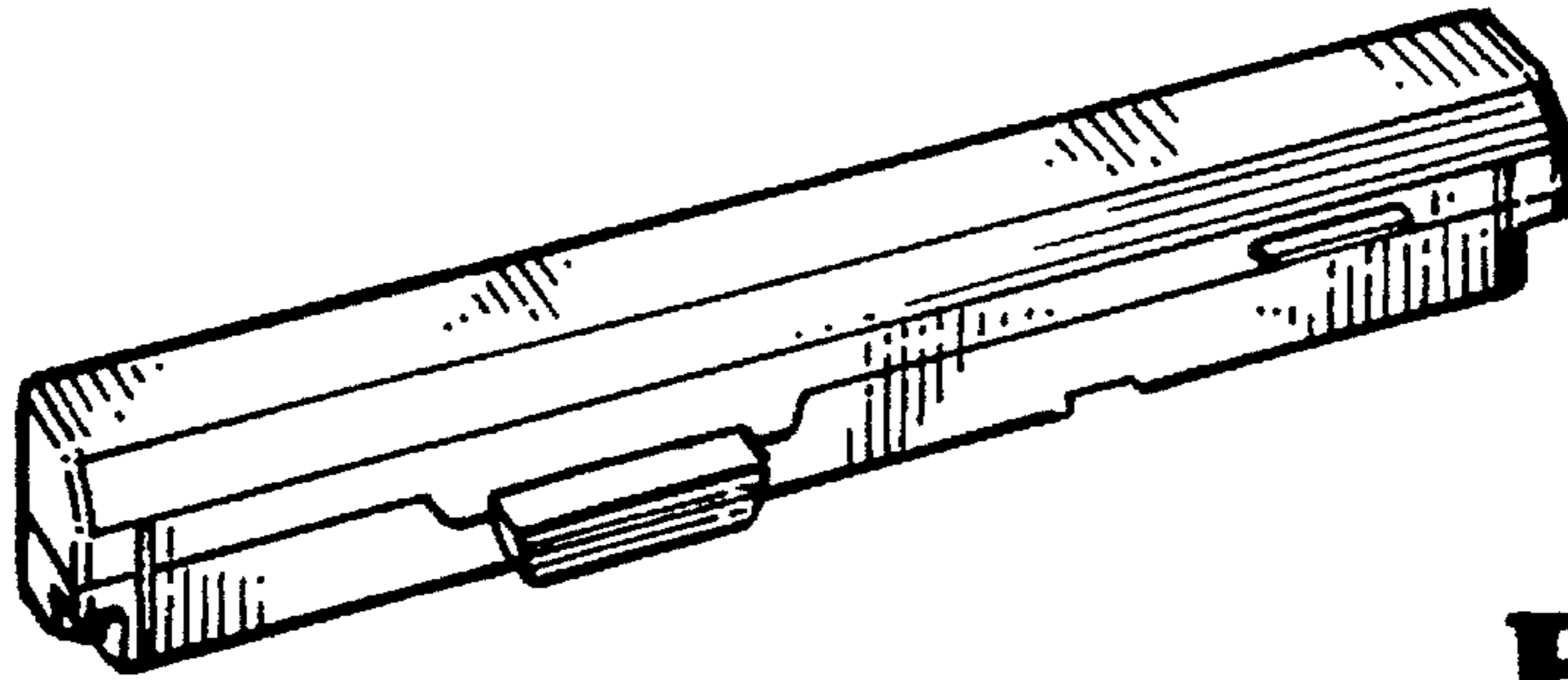
**Fig. 3**



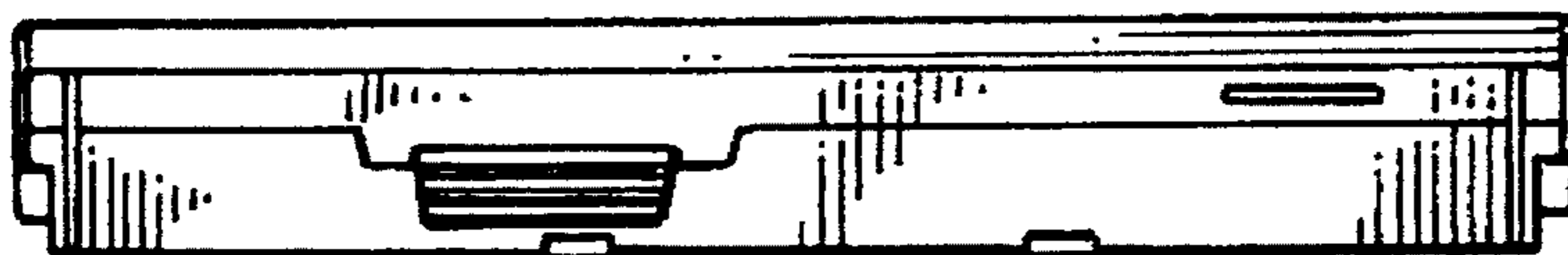
**Fig. 5**



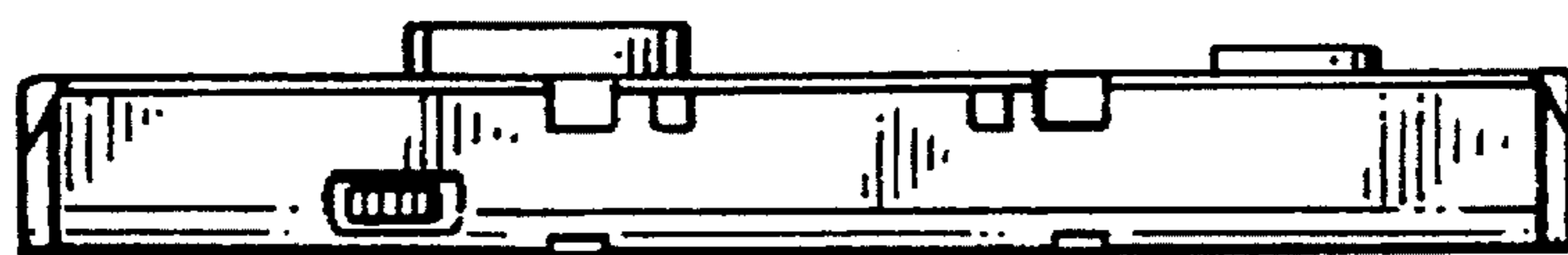
**Fig. 6**



**Fig. 7**



**Fig. 8**



**Fig. 9**