



US00D366467S

United States Patent [19]

Masujima et al.

[11] Patent Number: **Des. 366,467**

[45] Date of Patent: ****Jan. 23, 1996**

[54] **IMAGE SCANNER**

[75] Inventors: **Ikuo Masujima; Toshimitsu Ohara,**
both of Suwa, Japan

[73] Assignee: **Seiko Epson Corporation,** Tokyo,
Japan

[**] Term: **14 Years**

[21] Appl. No.: **31,723**

[22] Filed: **Dec. 5, 1994**

[30] Foreign Application Priority Data

Jun. 3, 1994 [JP] Japan 6-16251

[52] U.S. Cl. **D14/107**

[58] Field of Search D14/100, 105,
D14/107, 118; D18/36, 37, 39; 250/566,
568; 355/64, 65, 75, 231, 233; 358/408,
472, 474, 496, 497

[56] References Cited

U.S. PATENT DOCUMENTS

D. 302,007 7/1989 Hara et al. D14/107

D. 336,078 6/1993 Khovaylo D14/107
D. 350,733 9/1994 Masujima D14/107
4,708,486 11/1987 Watanabe 358/497 X

Primary Examiner—Freda Nunn
Attorney, Agent, or Firm—Stroock & Stroock & Lavan

[57] CLAIM

The ornamental design for an image scanner, as shown and described.

DESCRIPTION

FIG. 1 is a front, top and right-side perspective view of an image scanner showing our new design;
FIG. 2 is a right-side view thereof;
FIG. 3 is a left-side view thereof;
FIG. 4 is a front view thereof;
FIG. 5 is a top view thereof;
FIG. 6 is a rear view thereof;
FIG. 7 is a bottom view thereof; and,
FIG. 8 is a perspective view in open position thereof.

1 Claim, 4 Drawing Sheets

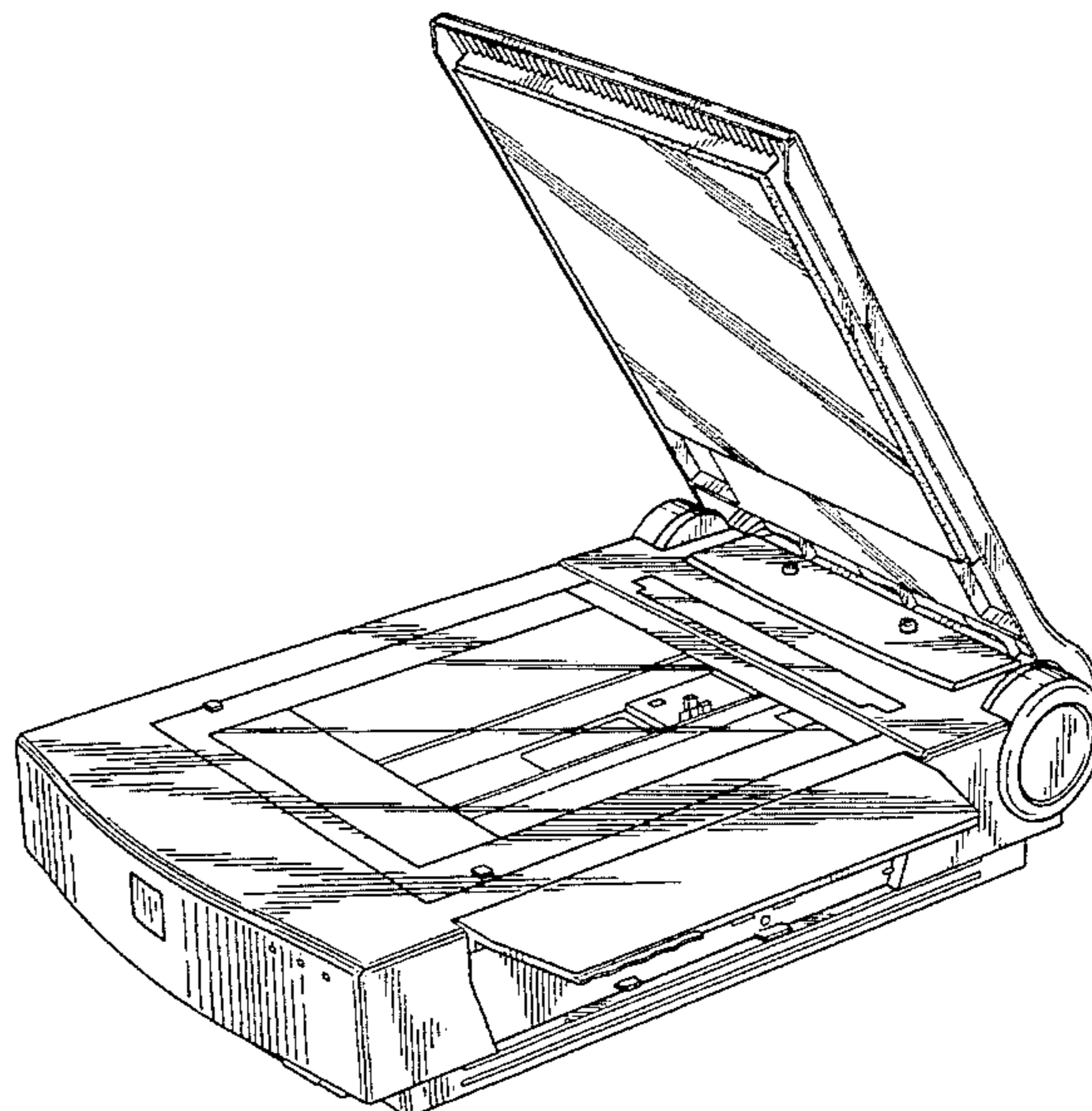
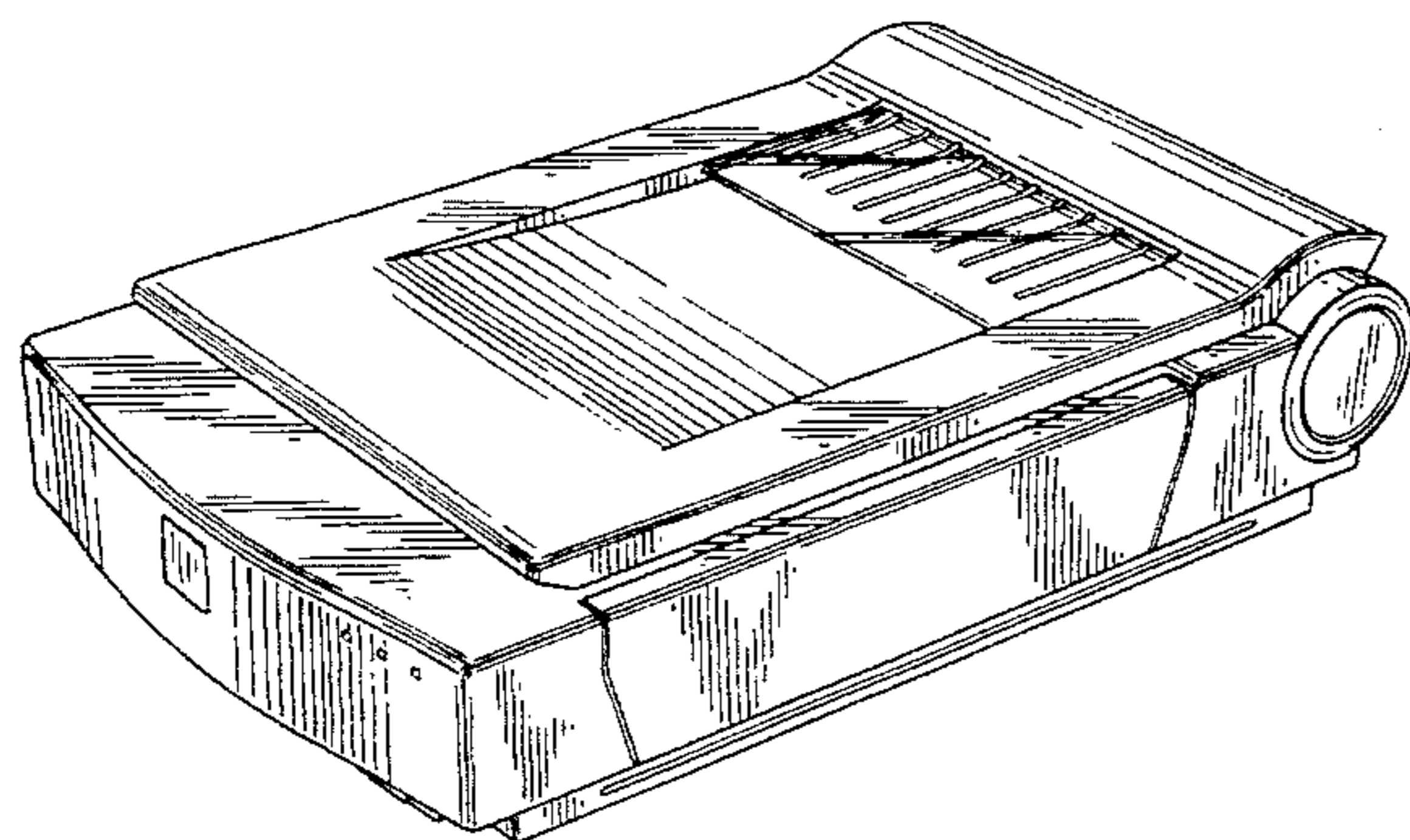


FIG. 1

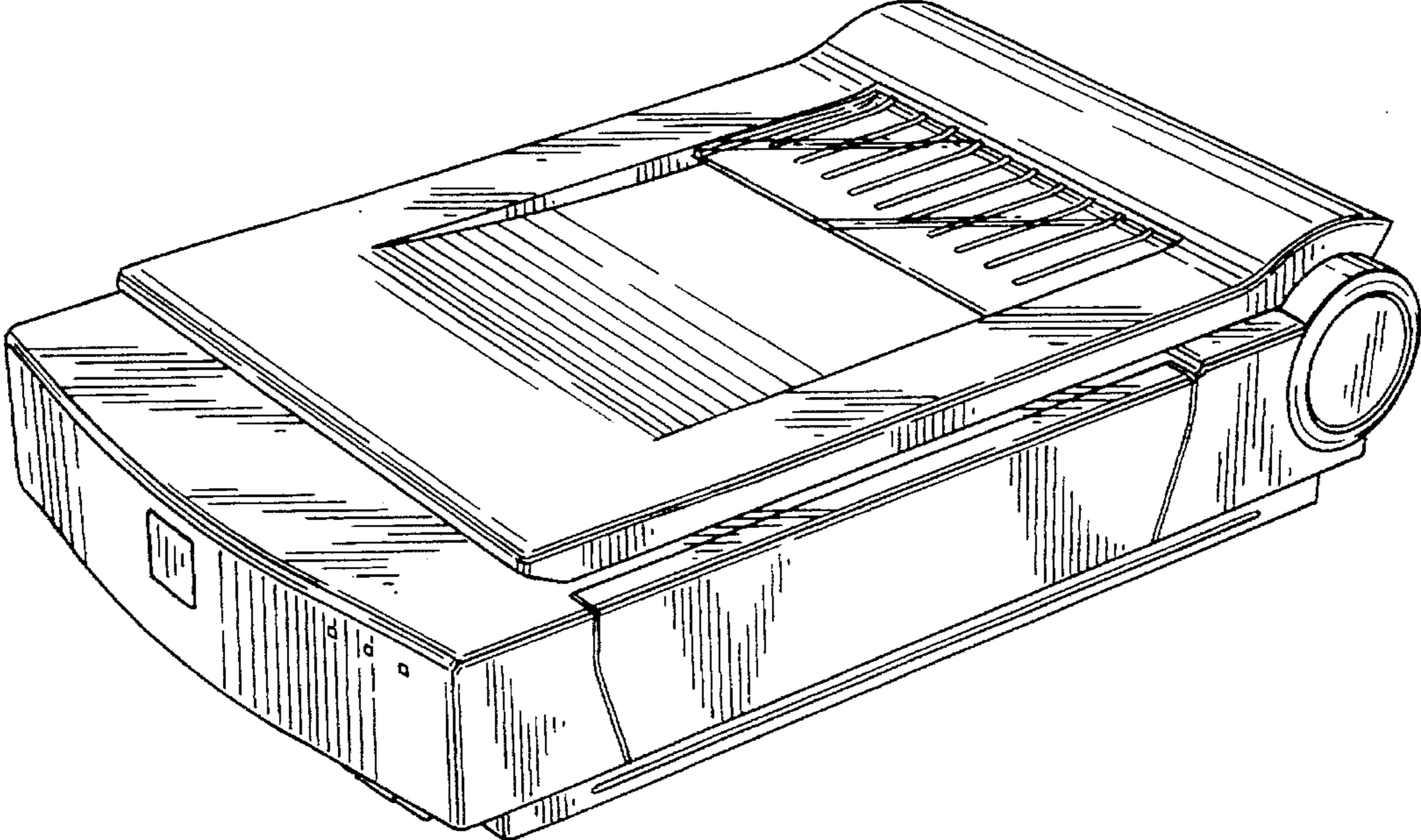


FIG. 2

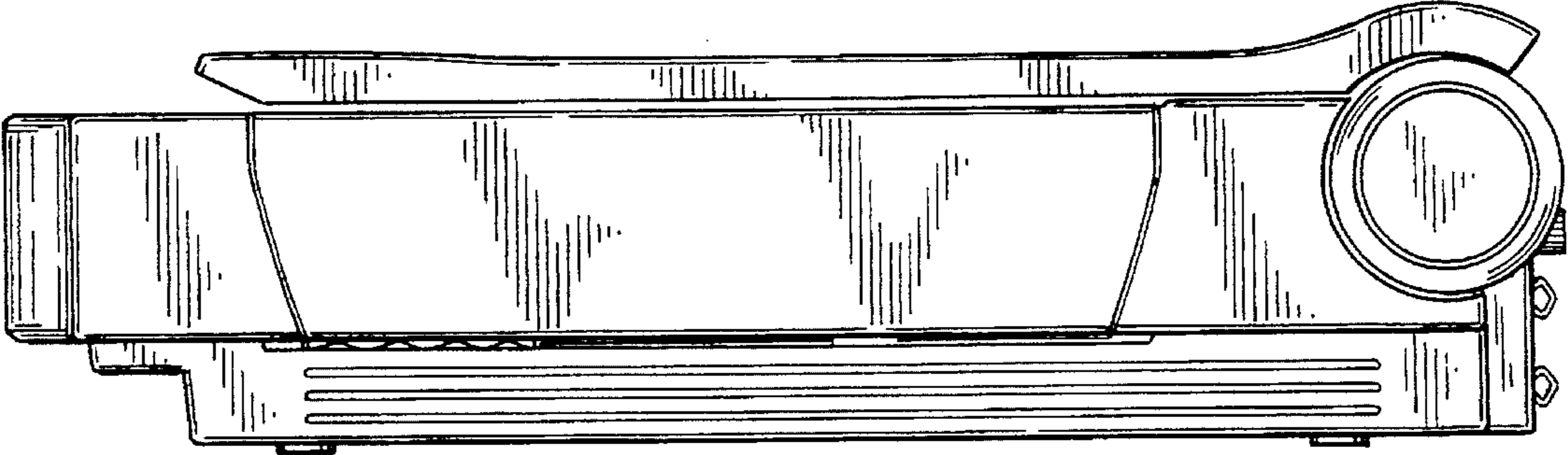


FIG. 3

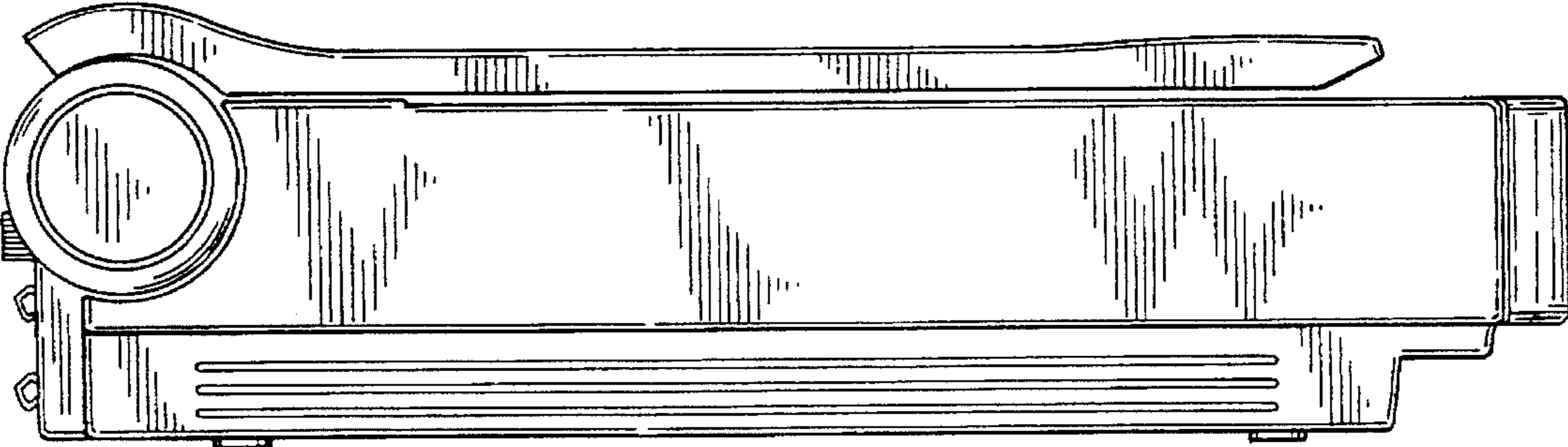


FIG. 4

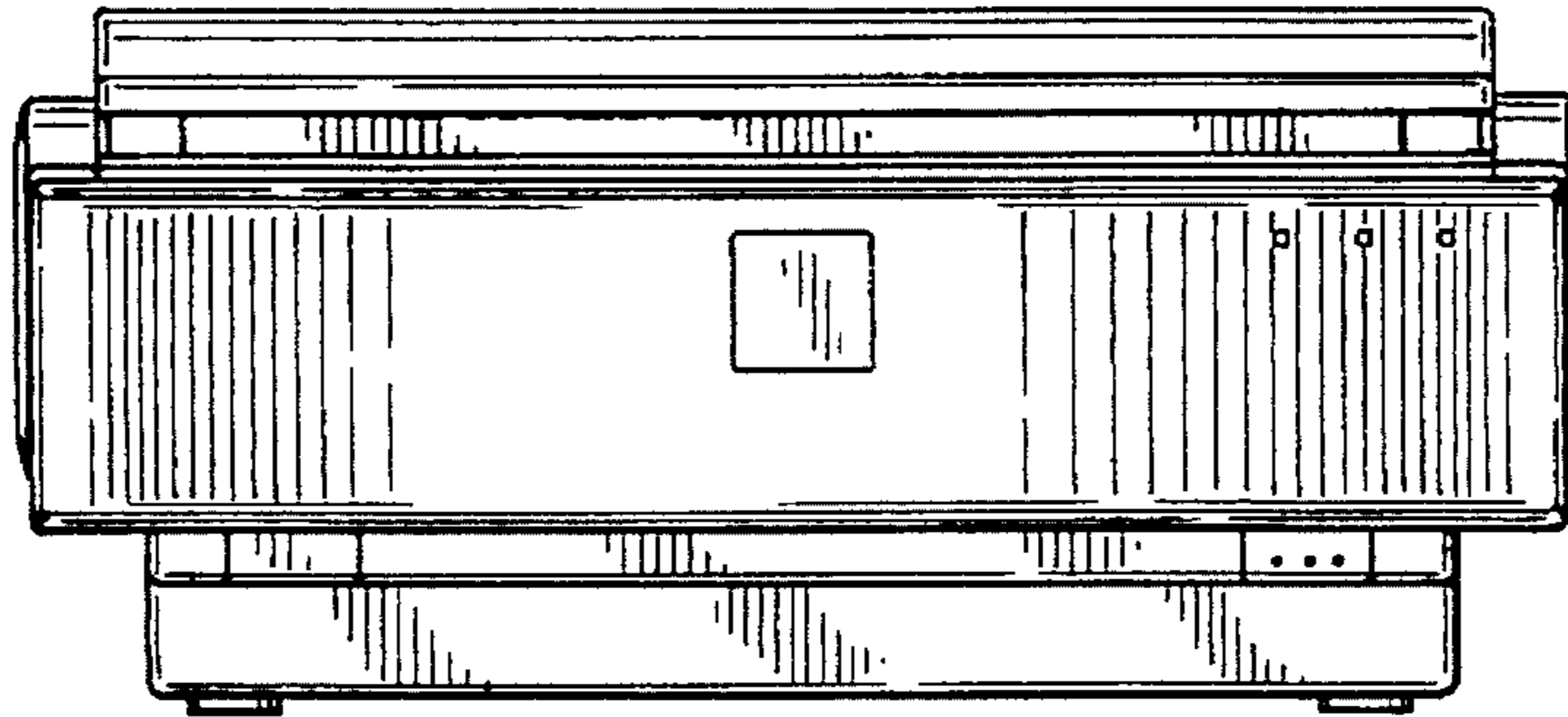


FIG. 5

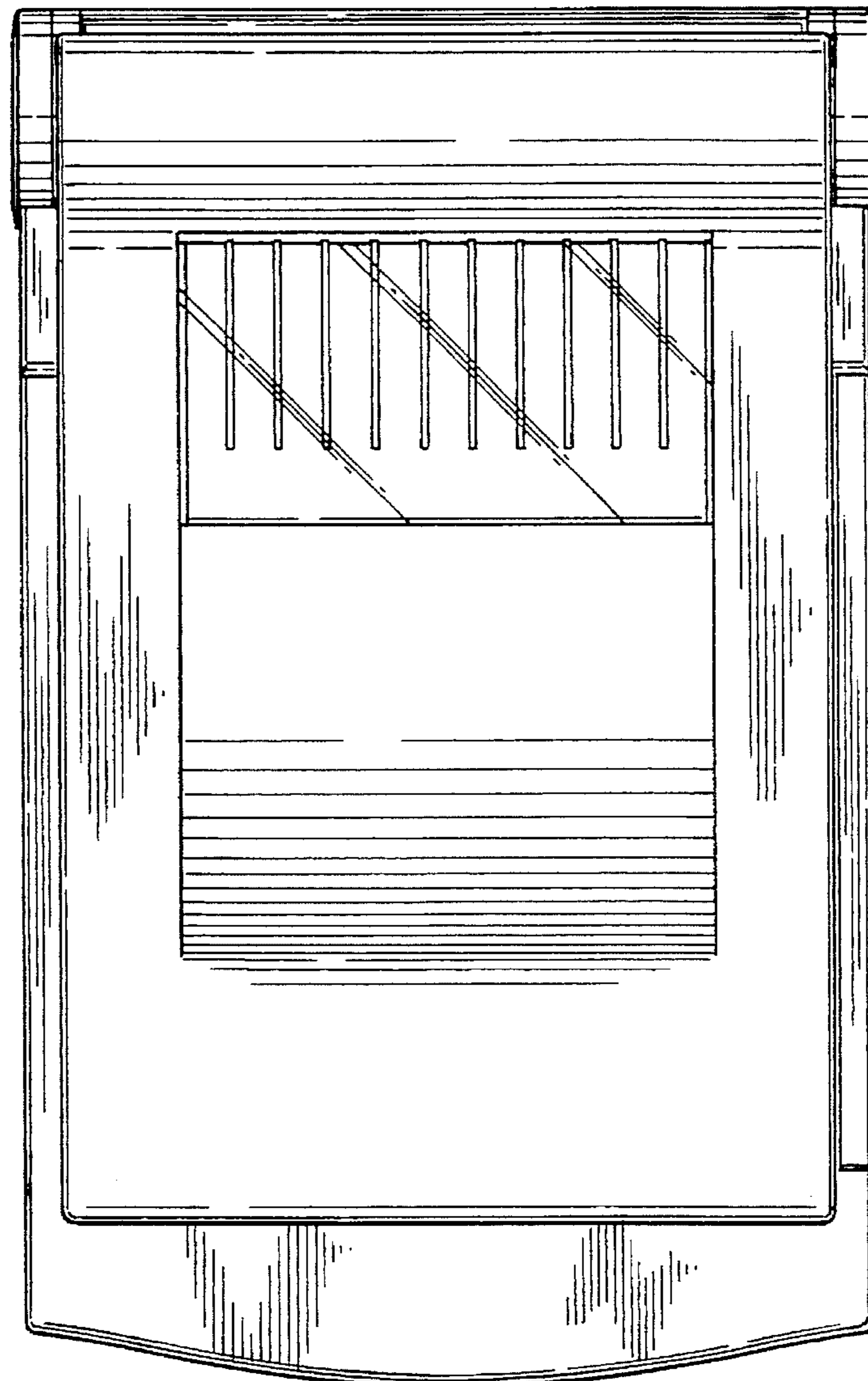


FIG. 6

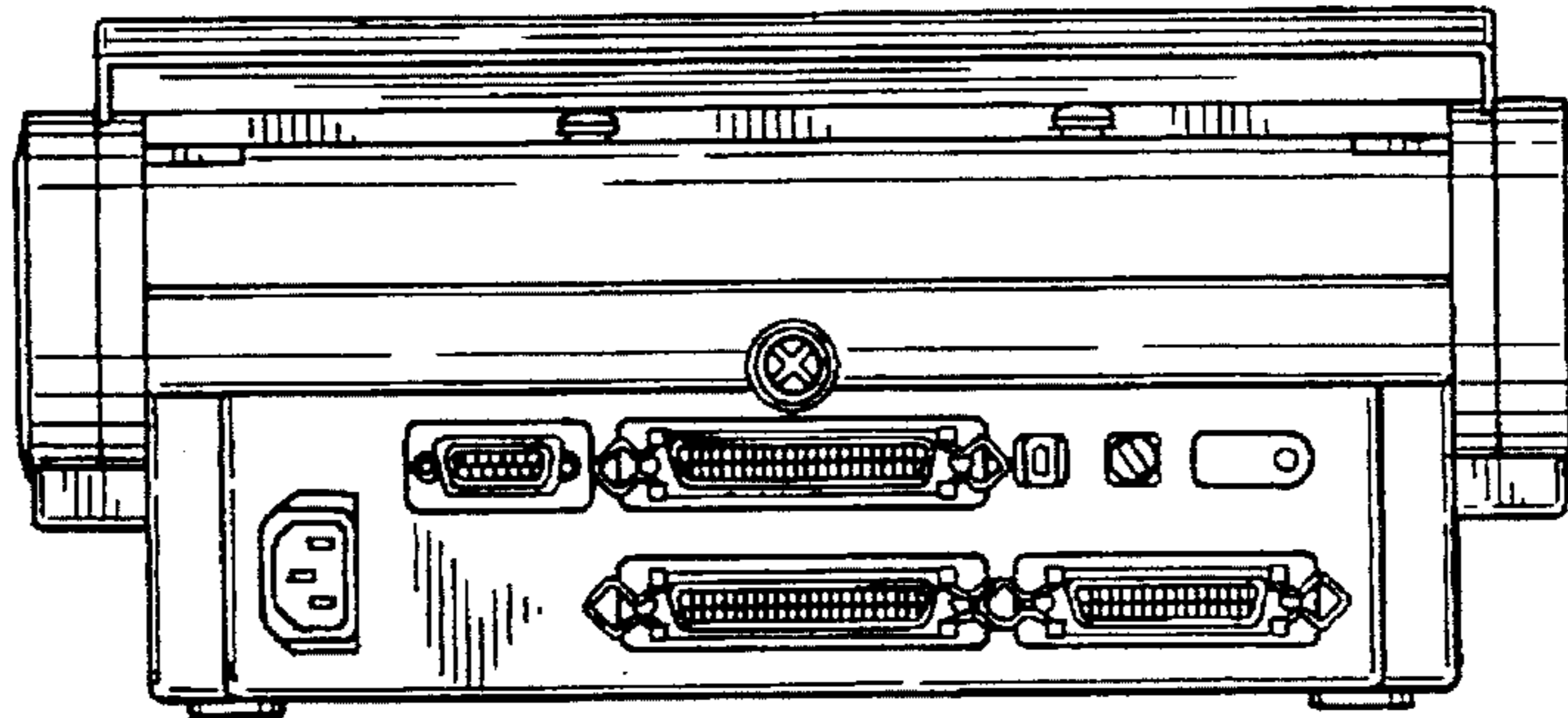


FIG. 7

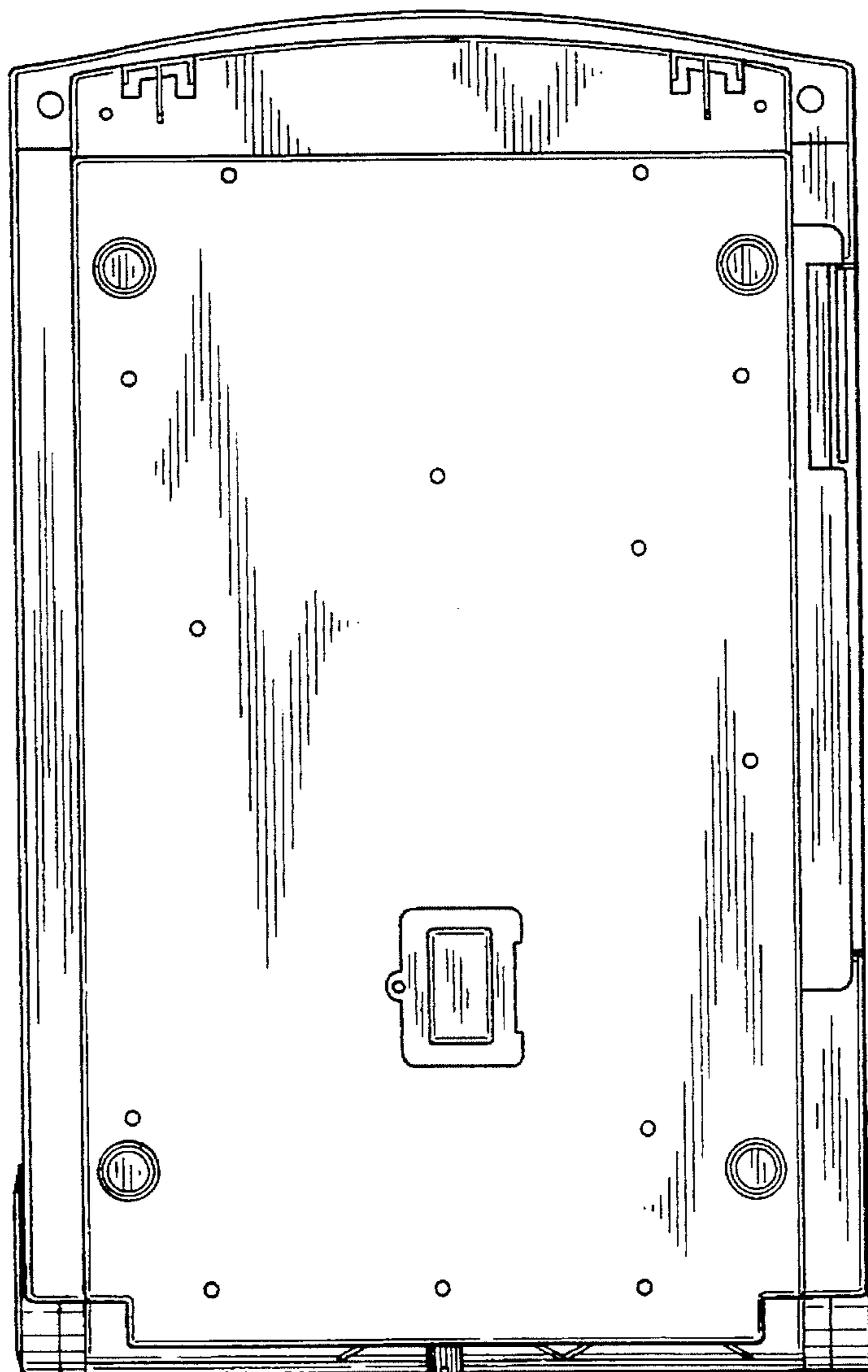


FIG. 8

