



US00D366466S

United States Patent [19]

[11] Patent Number: **Des. 366,466**

Lee et al.

[45] Date of Patent: ****Jan. 23, 1996**

[54] **CARD READER**

D. 210,218 2/1968 Williams D14/107
D. 354,481 1/1995 Imura D14/105 X

[75] Inventors: **June Lee; William J. Evans**, both of San Francisco; **Kevelyn K. Boyd**, Berkeley, all of Calif.

FOREIGN PATENT DOCUMENTS

736804 6/1988 Japan D14/107

[73] Assignee: **National Semiconductor Corporation**, Santa Clara, Calif.

Primary Examiner—Freda Nunn

Attorney, Agent, or Firm—McCutchen, Doyle, Brown & Enersen

[**] Term: **14 Years**

[57] CLAIM

[21] Appl. No.: **32,317**

The ornamental design for a card reader, as shown.

[22] Filed: **Dec. 15, 1994**

DESCRIPTION

[52] U.S. Cl. **D14/105**

FIG. 1 is a top perspective view of a card reader showing our new design;

[58] Field of Search D14/100, 105, D14/107, 118; D18/36, 37, 39; 250/566, 568; 355/64, 65, 75, 231, 233; 358/408, 472, 474, 496, 497

FIG. 2 is a top plan view thereof;

FIG. 3 is a bottom plan view thereof;

FIG. 4 is a right side elevation view thereof;

FIG. 5 is a left side elevation view thereof;

FIG. 6 is a front elevation view thereof; and,

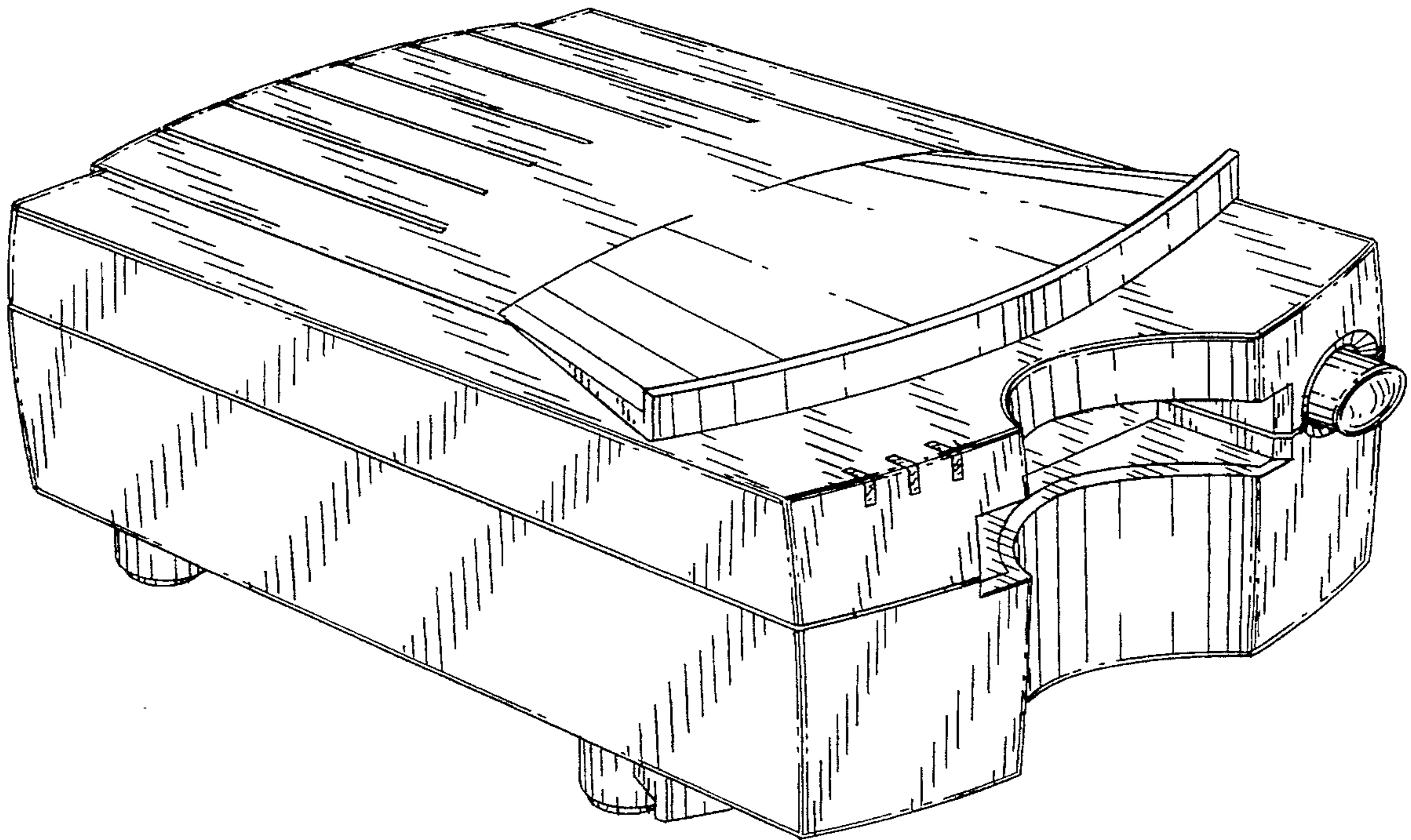
FIG. 7 is a rear elevation view thereof.

[56] References Cited

U.S. PATENT DOCUMENTS

D. 204,940 5/1966 Loose D14/107

1 Claim, 5 Drawing Sheets



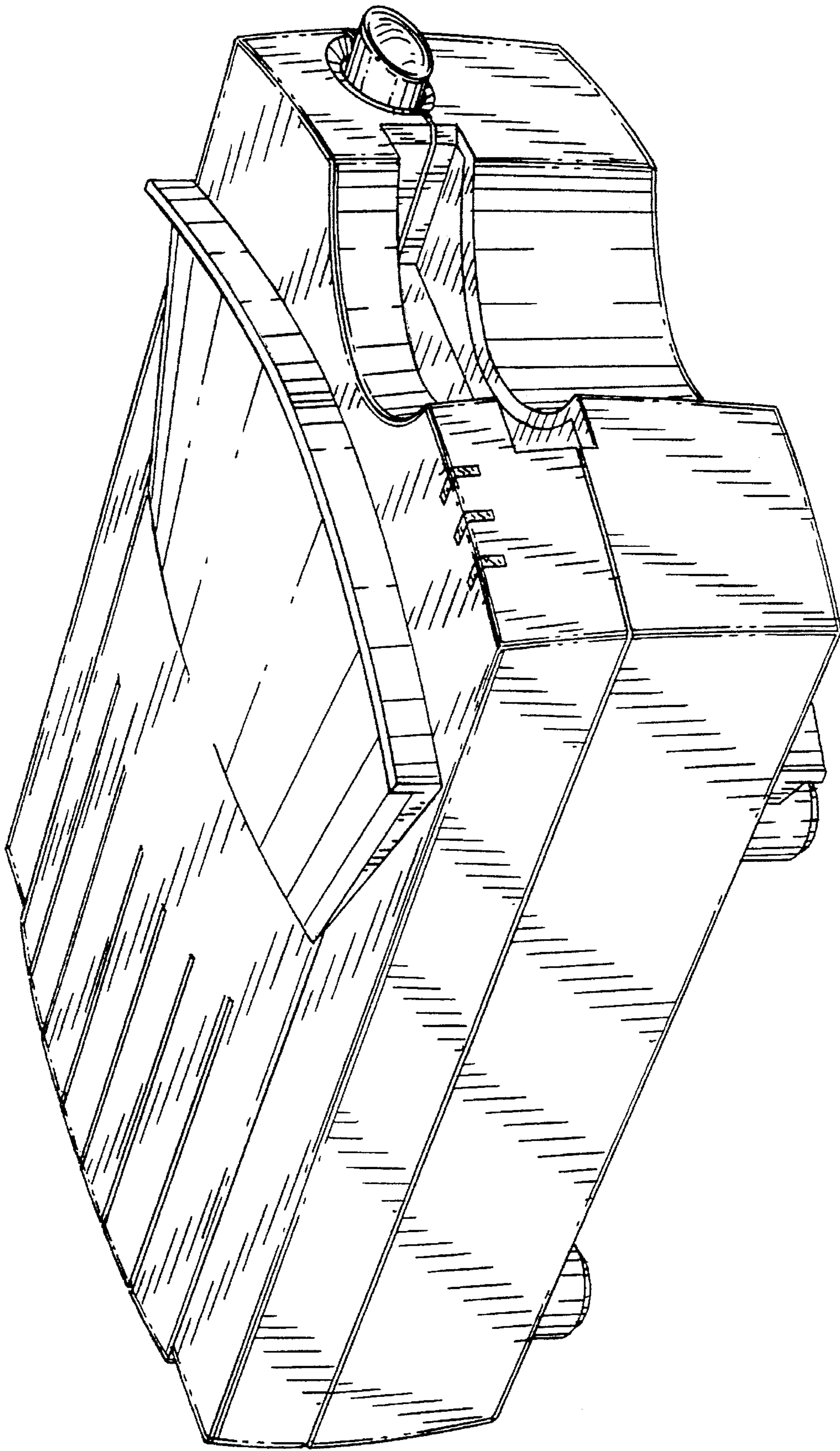


FIG. 1

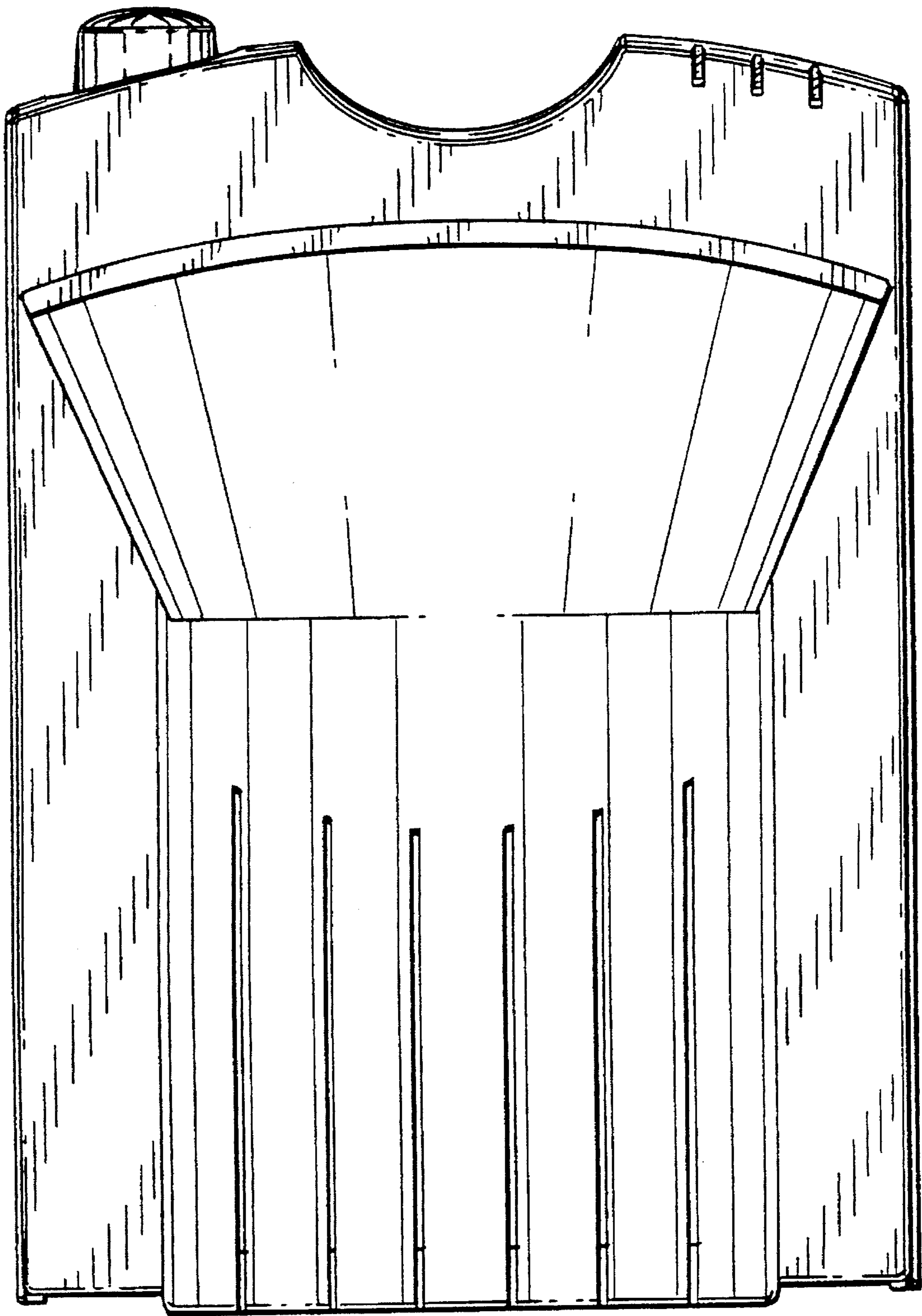


FIG. 2

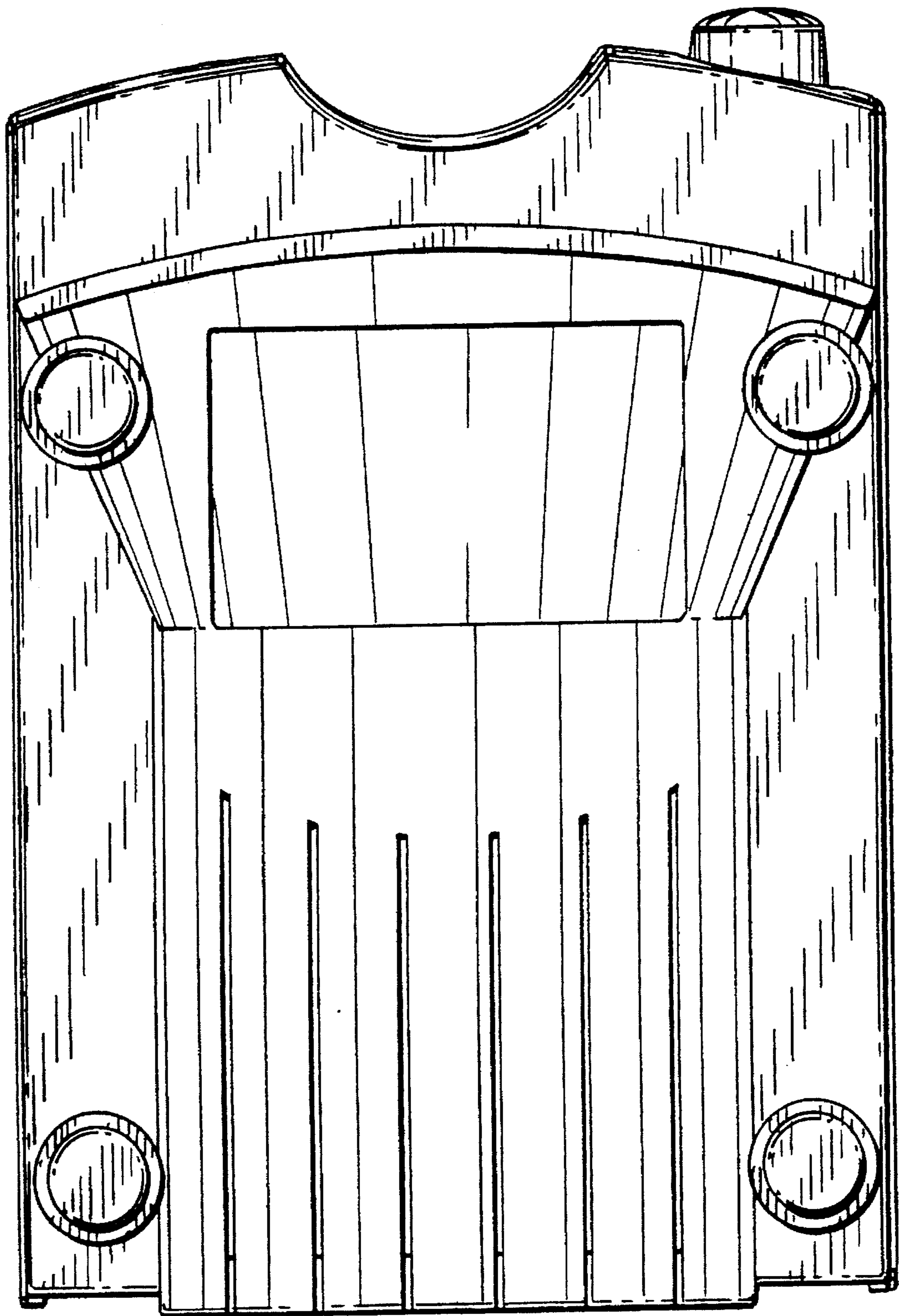


FIG. 3

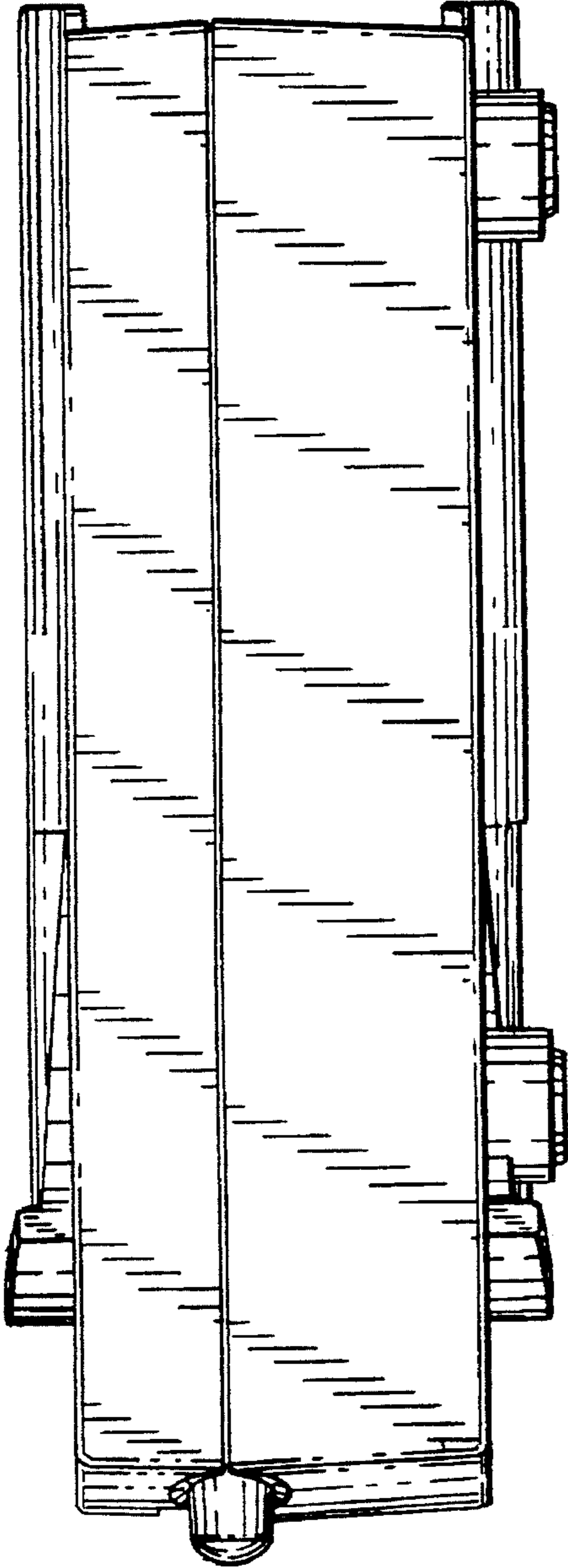


FIG. 4

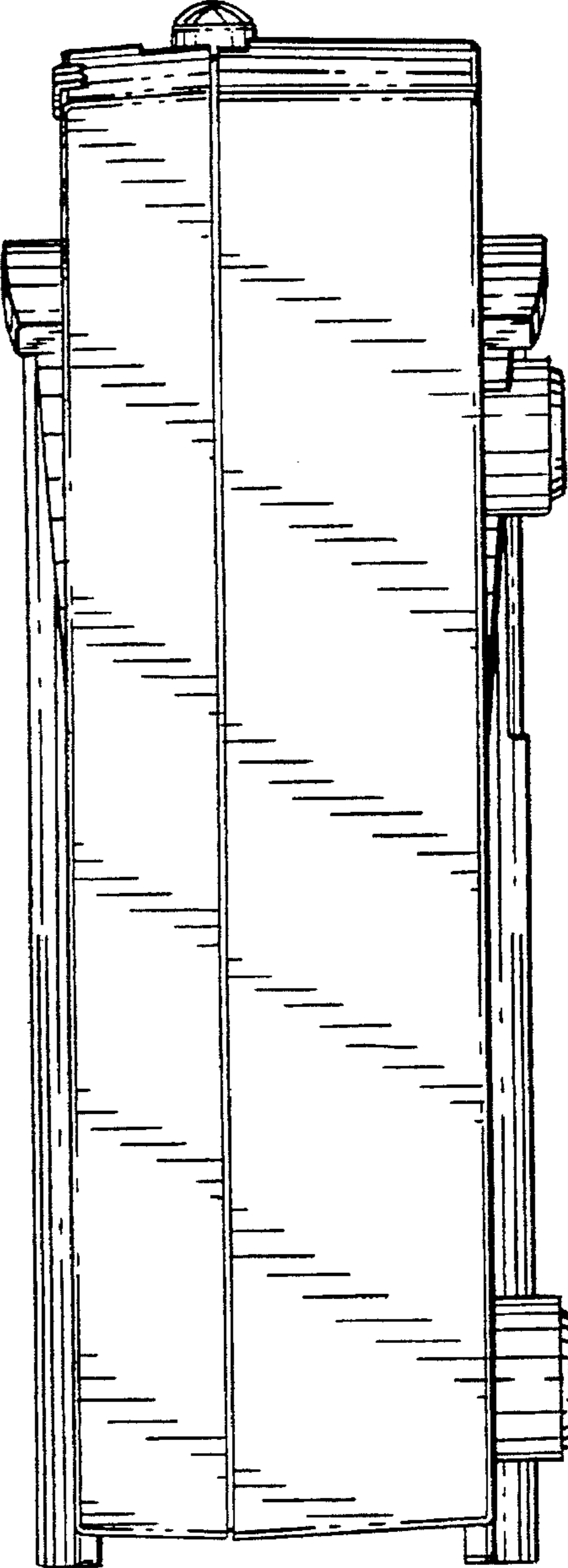


FIG. 5

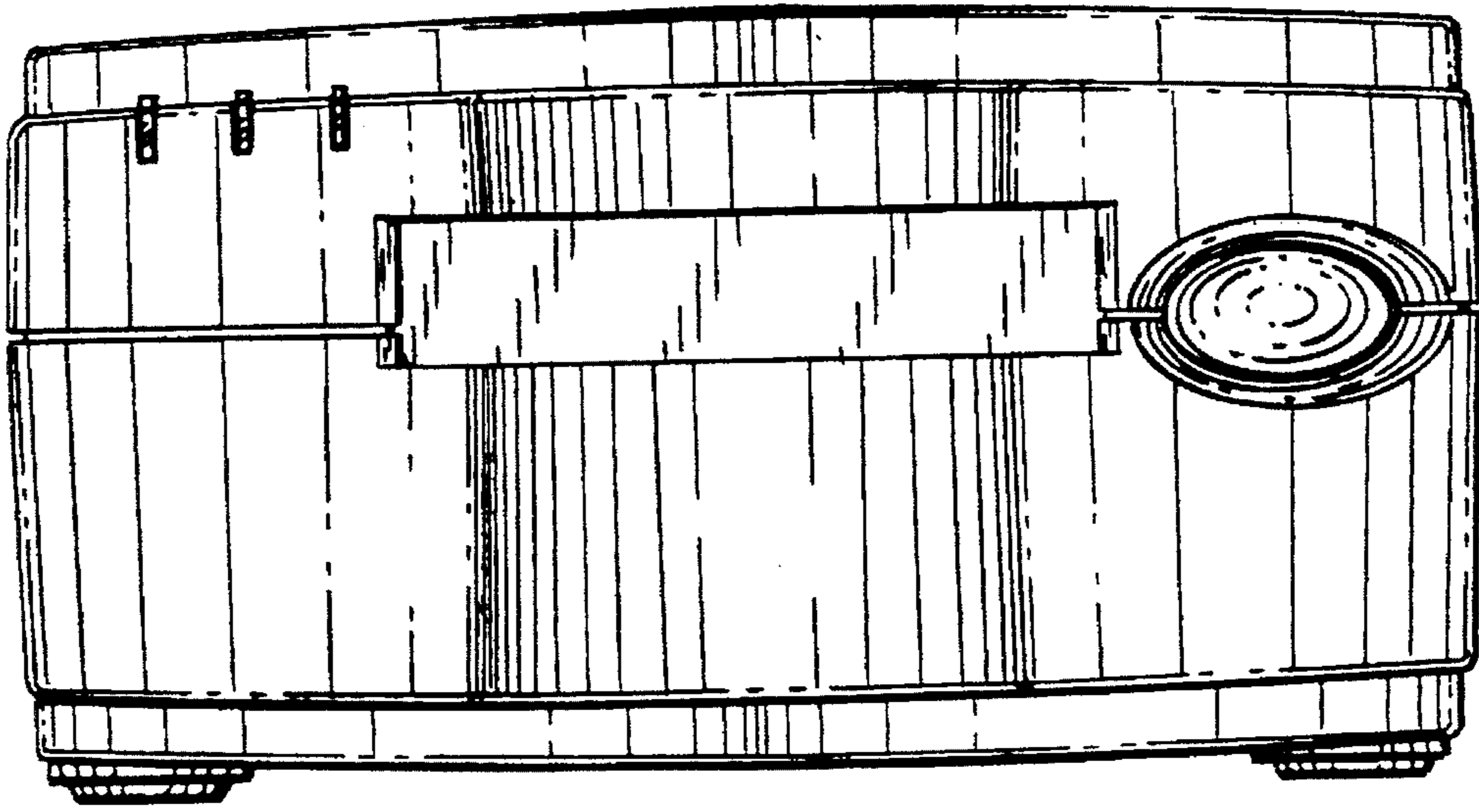


FIG. 6

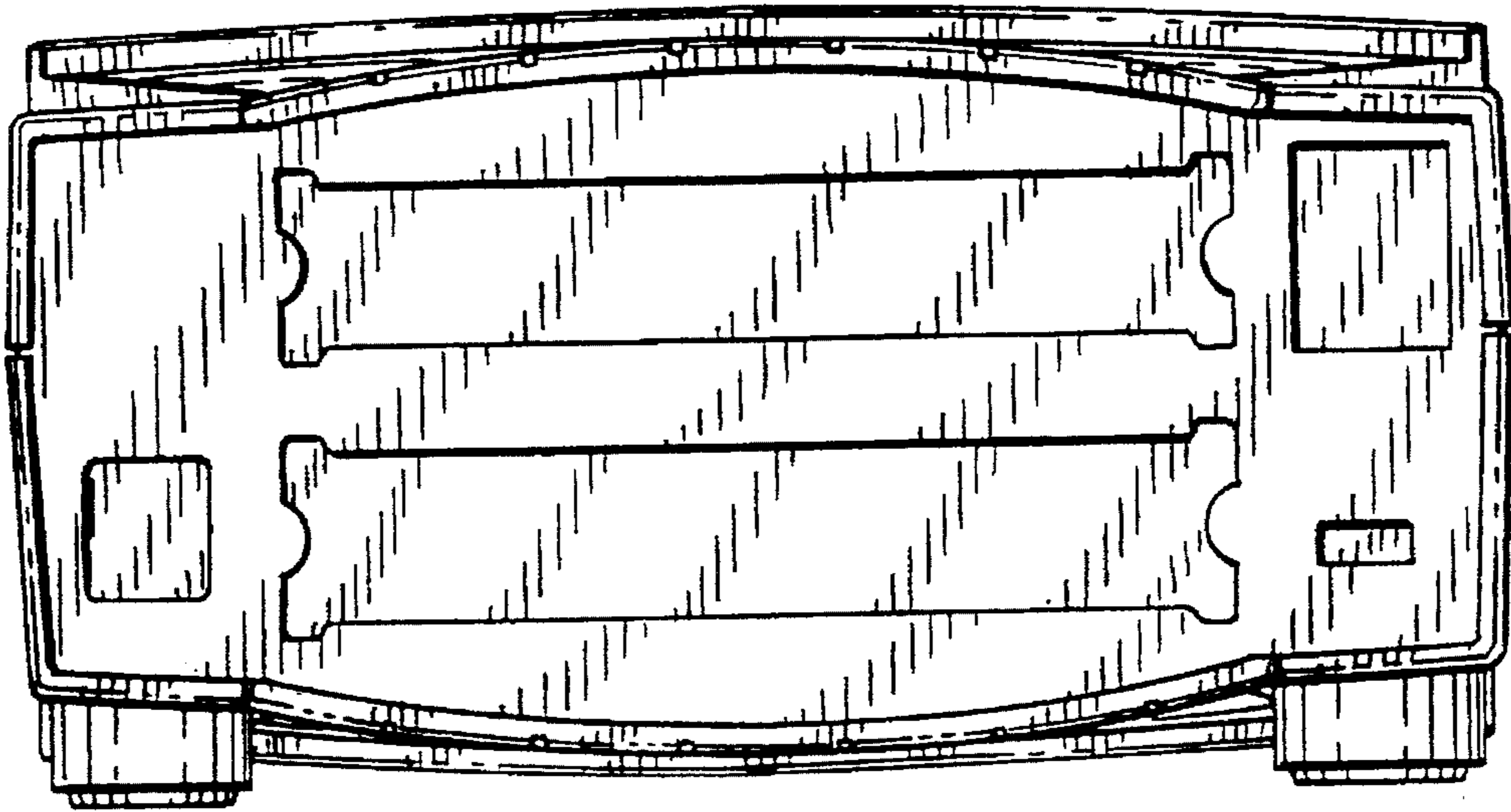


FIG. 7