



US00D366458S

United States Patent [19]

[11] Patent Number: **Des. 366,458**

Pearson et al.

[45] Date of Patent: ****Jan. 23, 1996**

[54] **REMOVABLE PROGRAMMABLE CONTROL MODULE WITH DISPLAY FOR IRRIGATION CONTROL SYSTEM**

5,140,138 8/1992 Tanaka D14/100 X
5,218,188 6/1993 Hanson D14/100 X
5,422,783 6/1995 Darbee 361/680

[75] Inventors: **Michael T. Pearson**, West Molesey;
Kishen Gohil, New Malden, both of
United Kingdom

Primary Examiner—Joel Sincavage
Attorney, Agent, or Firm—Litman, McMahon and Brown

[73] Assignee: **Imperial Underground Sprinkler Co.**,
Lenexa, Kans.

[57] CLAIM

[**] Term: **14 Years**

The ornamental design for a removable programmable control module with display for irrigation control system, as shown and described.

[21] Appl. No.: **27,904**

DESCRIPTION

[22] Filed: **Sep. 1, 1994**

[52] U.S. Cl. **D13/162**

[58] **Field of Search** D13/162, 164,
D13/177; D8/353; D14/100, 114; 361/680,
681, 728

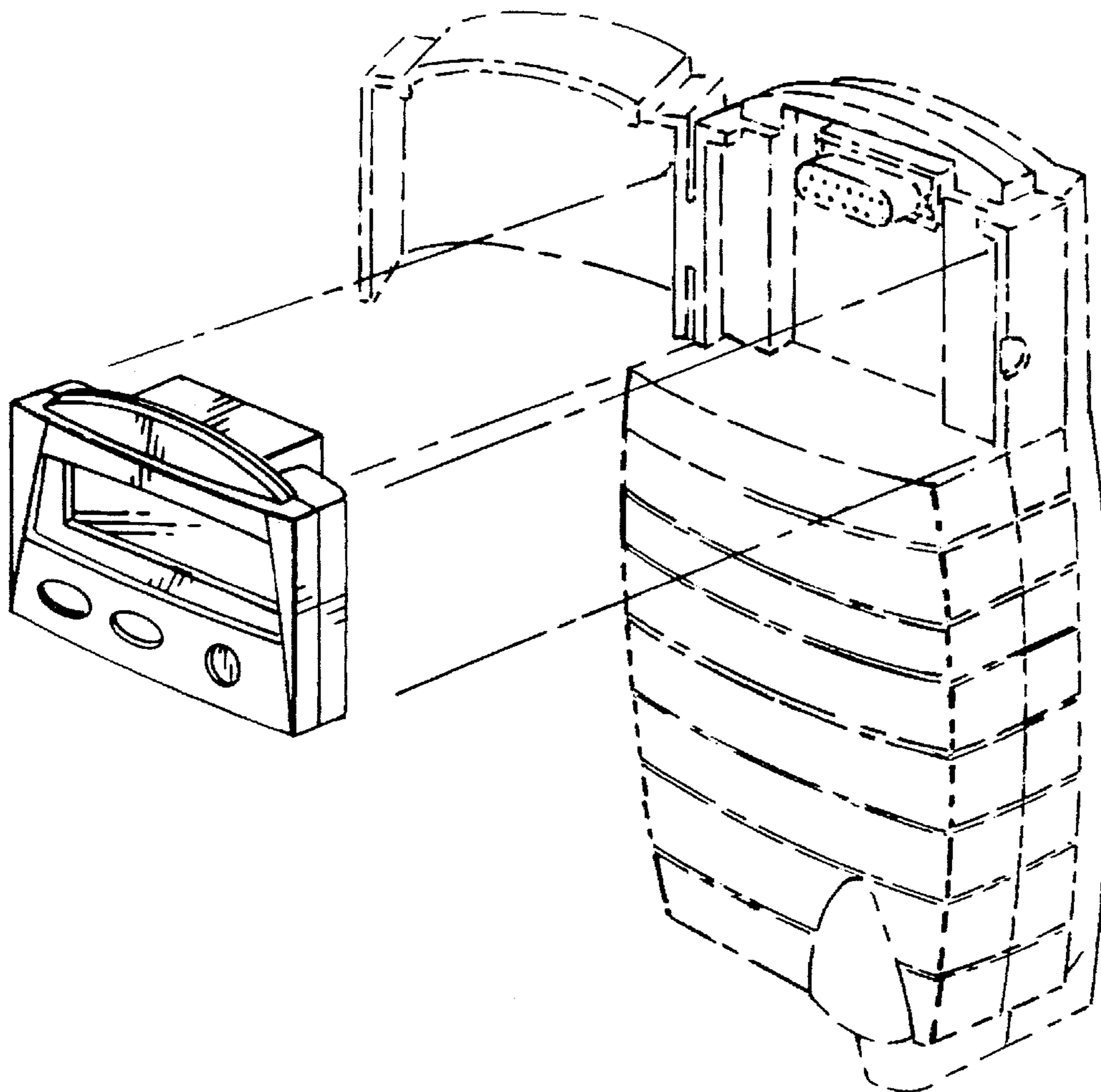
FIG. 1 is a top front right side perspective view of a removable programmable control module with display for irrigation control system; the broken lines showing a housing are shown for illustrative purposes only;
FIG. 2 is a front elevational view thereof;
FIG. 3 is a rear elevational view thereof;
FIG. 4 is a top plan view thereof;
FIG. 5 is a right side elevational view thereof, the left side being a mirror image thereof; and,
FIG. 6 is a bottom plan view thereof.

[56] References Cited

U.S. PATENT DOCUMENTS

D. 278,529 4/1985 Hoogner D13/158 X
D. 347,825 6/1994 Zarnowitz et al. D13/177

1 Claim, 1 Drawing Sheet



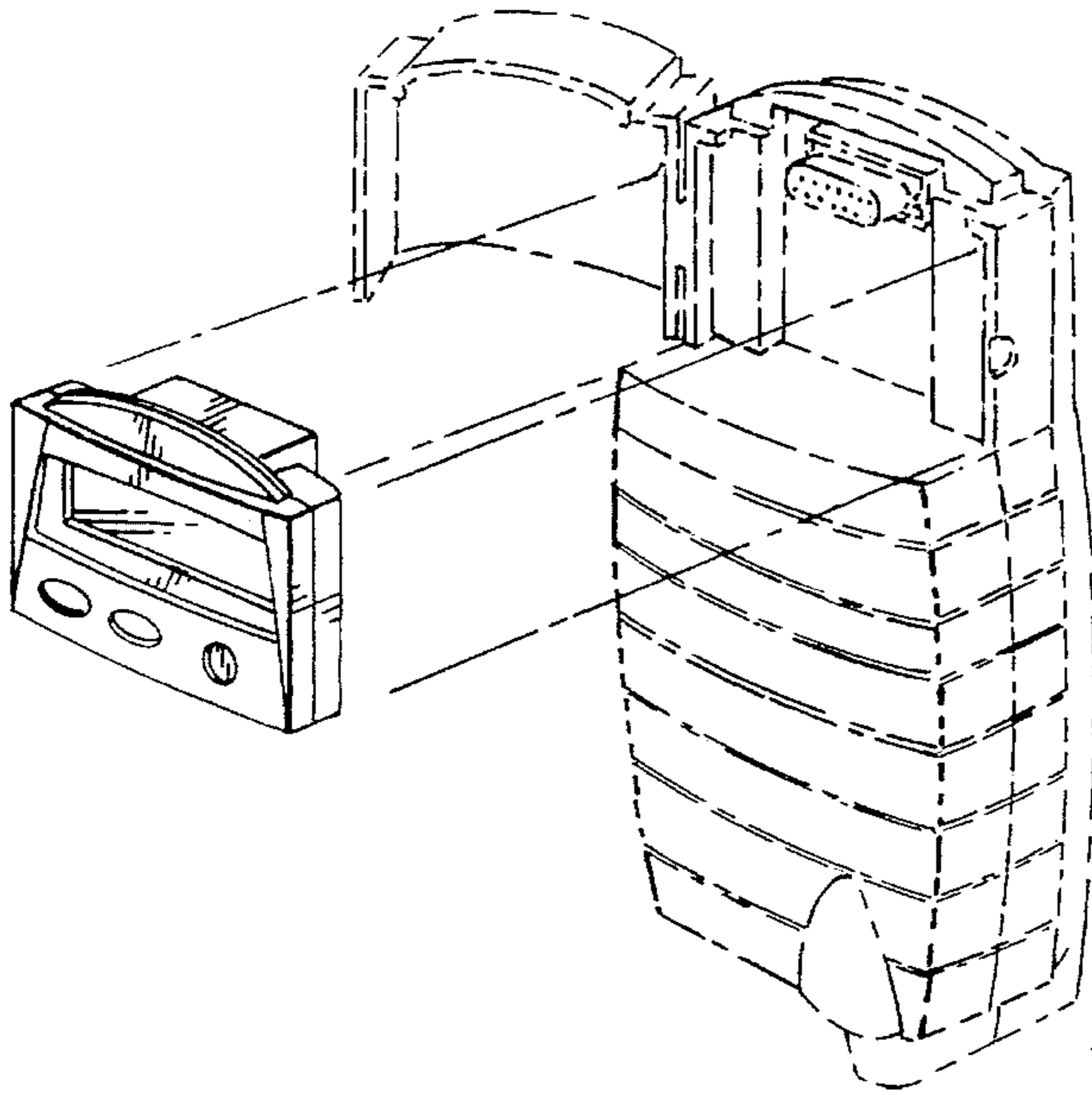


Fig.1.

Fig.4.



Fig.3.

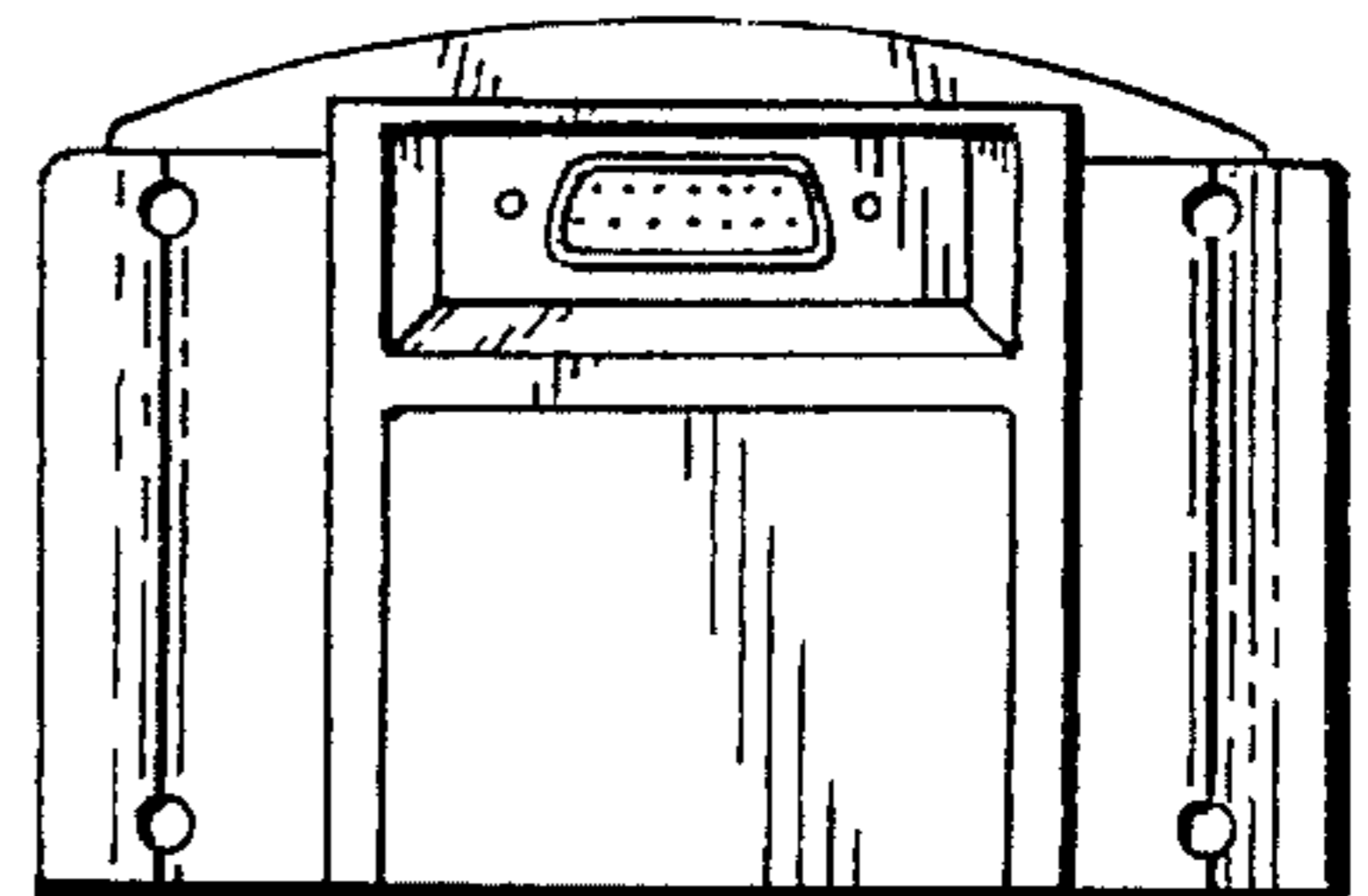
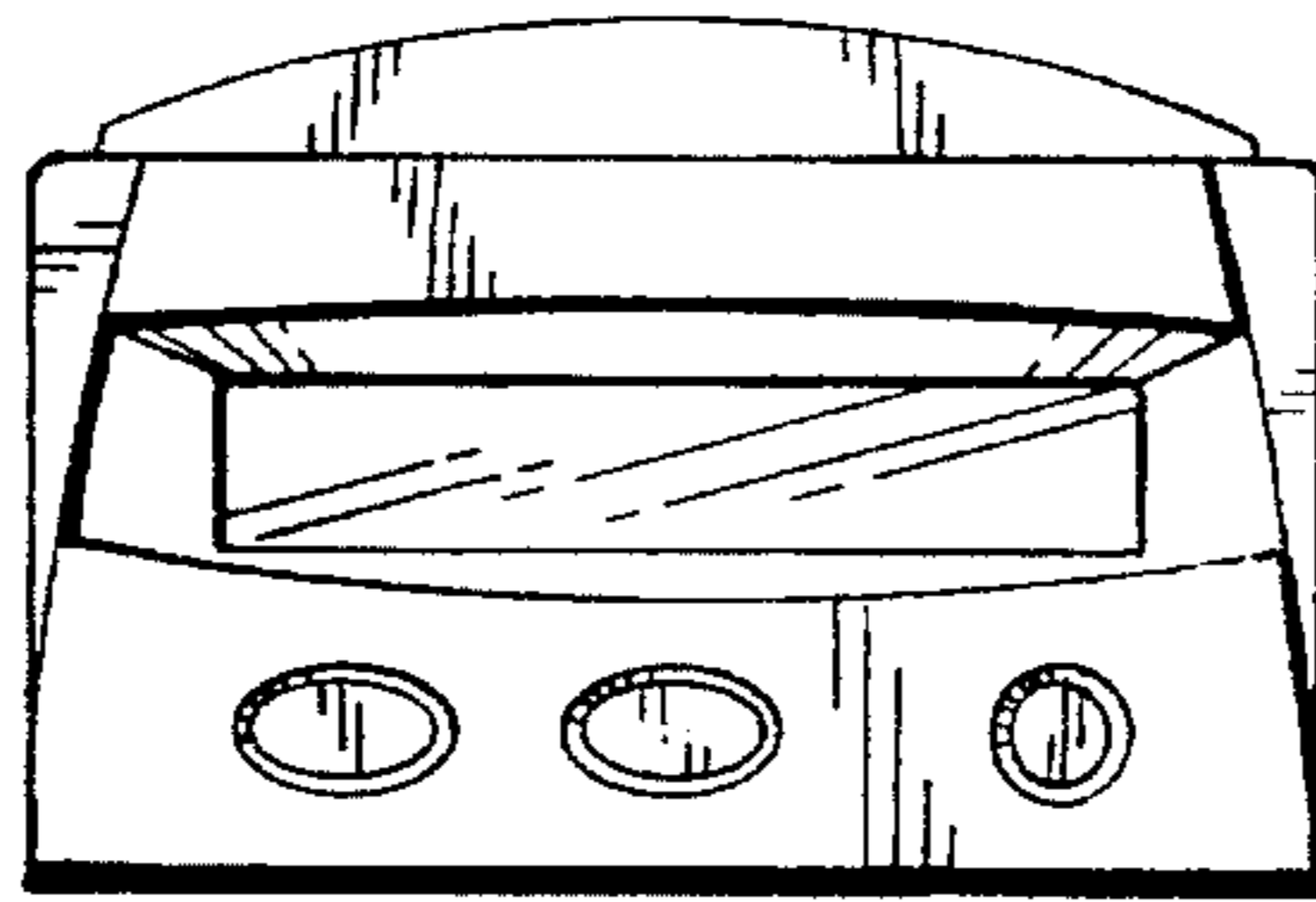
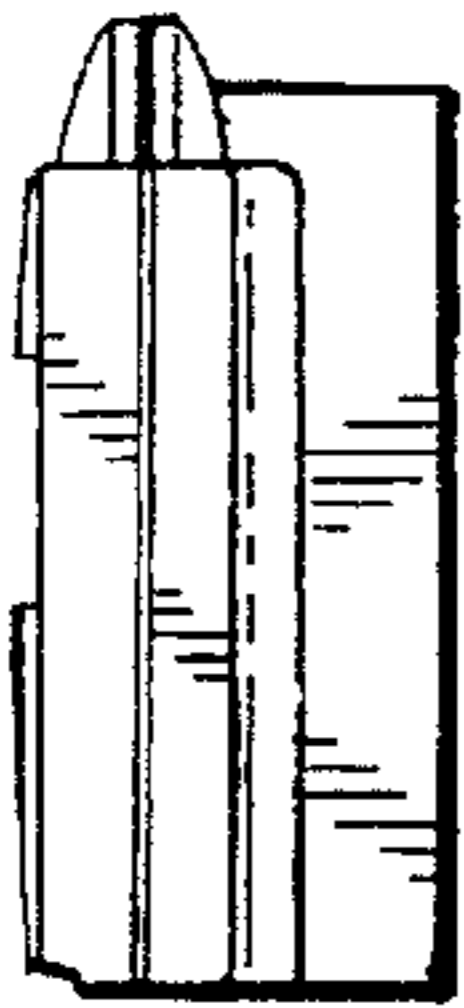


Fig.5.

Fig.2.

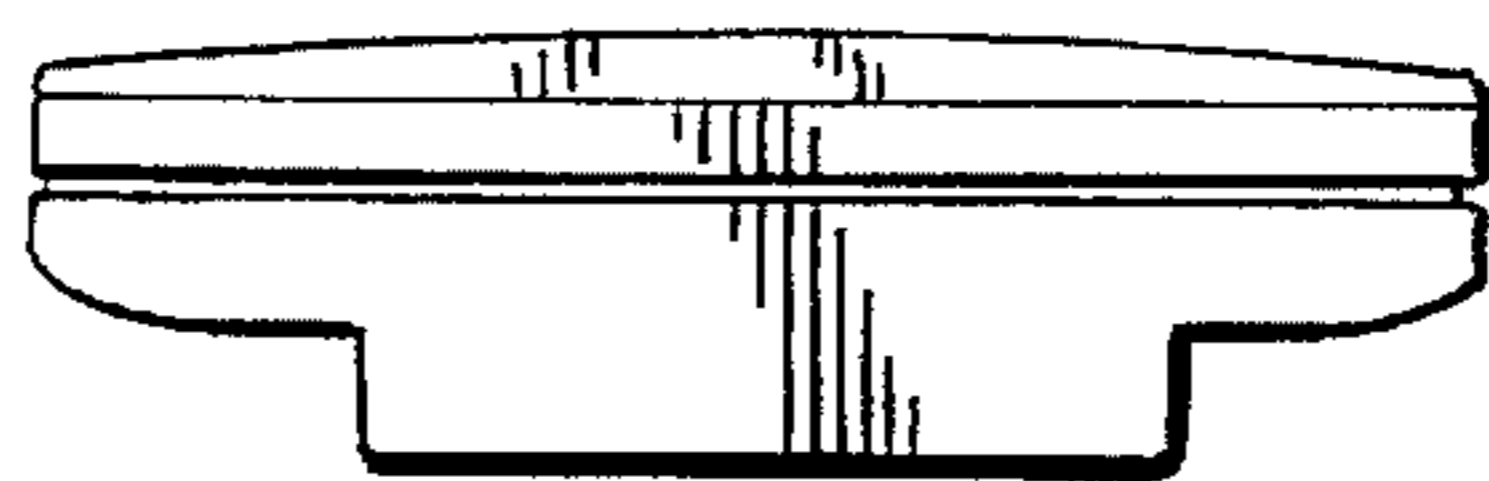


Fig.6.