



US00D366457S

United States Patent [19]
Pilcher

[11] **Patent Number: Des. 366,457**

[45] **Date of Patent: **Jan. 23, 1996**

[54] **ELECTRIC FENCE CONTROLLER**

[75] Inventor: **Murray N. Pilcher**, Auckland, New Zealand

[73] Assignee: **Stafix Electric Fencing Limited**, Auckland, New Zealand

[**] Term: **14 Years**

[21] Appl. No.: **32,278**

[22] Filed: **Dec. 9, 1994**

[30] **Foreign Application Priority Data**

Sep. 23, 1994 [NZ] New Zealand 26204

[52] **U.S. Cl.** **D13/162**

[58] **Field of Search** D13/110, 111,
D13/125, 162, 164; D10/106; 174/52.1;
256/10; 336/90, 92

[56] **References Cited**

U.S. PATENT DOCUMENTS

D. 223,932 6/1972 Paulson et al. D13/110

D. 260,876 9/1981 Pershyn D13/110

D. 289,395 4/1987 Bowers D13/110

4,560,827 12/1985 Langlie et al. 256/10 X

Primary Examiner—Joel Sincavage
Attorney, Agent, or Firm—Young & Thompson

[57] **CLAIM**

The ornamental design for an electric fence controller, as shown.

DESCRIPTION

FIG. 1 is a top plan view thereof showing my new design;

FIG. 2 is a front view thereof;

FIG. 3 is a left side view thereof;

FIG. 4 is a rear view thereof;

FIG. 5 is a right side view thereof;

FIG. 6 is a perspective view thereof; and,

FIG. 7 is a bottom plan view thereof.

1 Claim, 3 Drawing Sheets

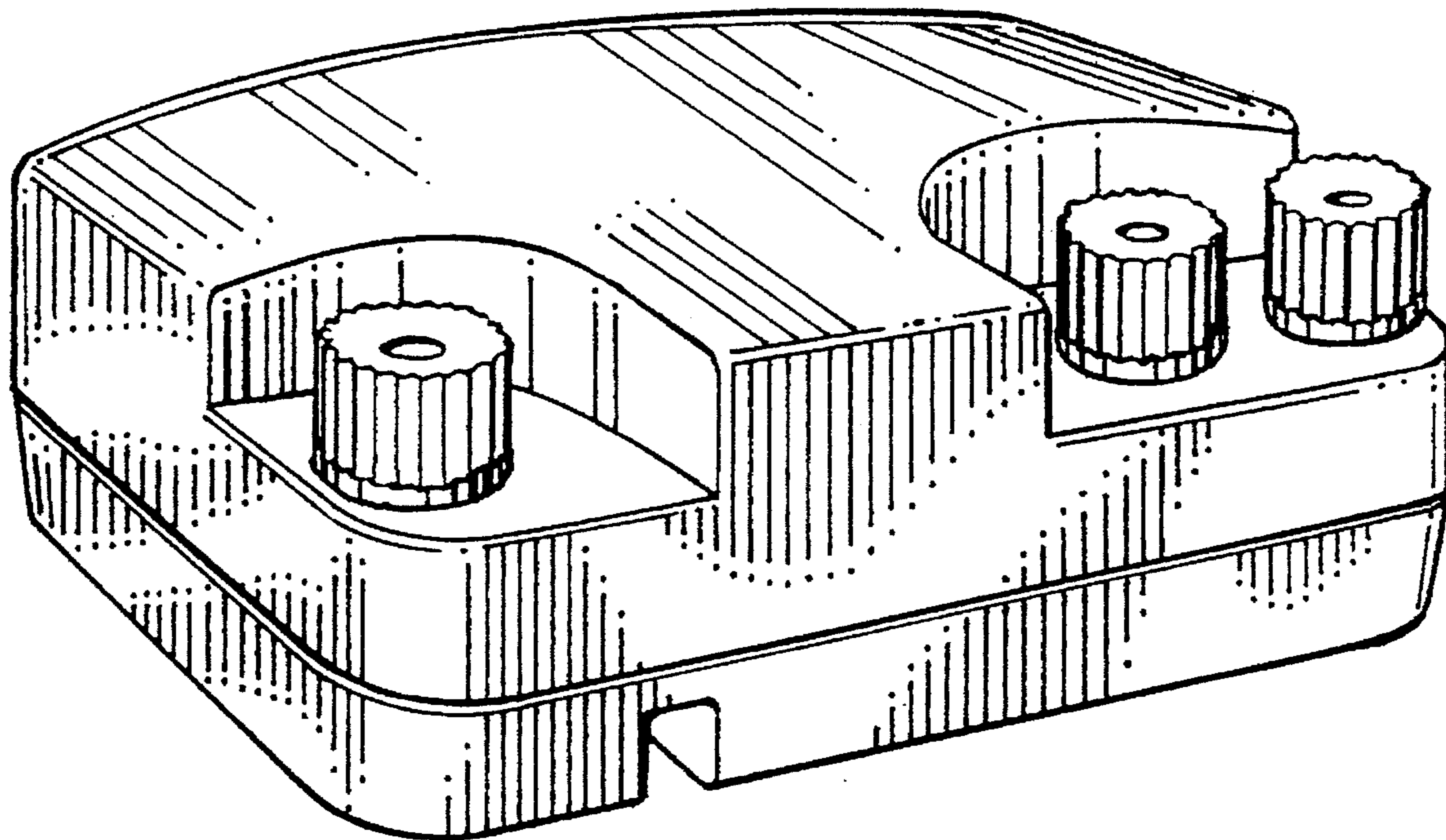


Fig 1

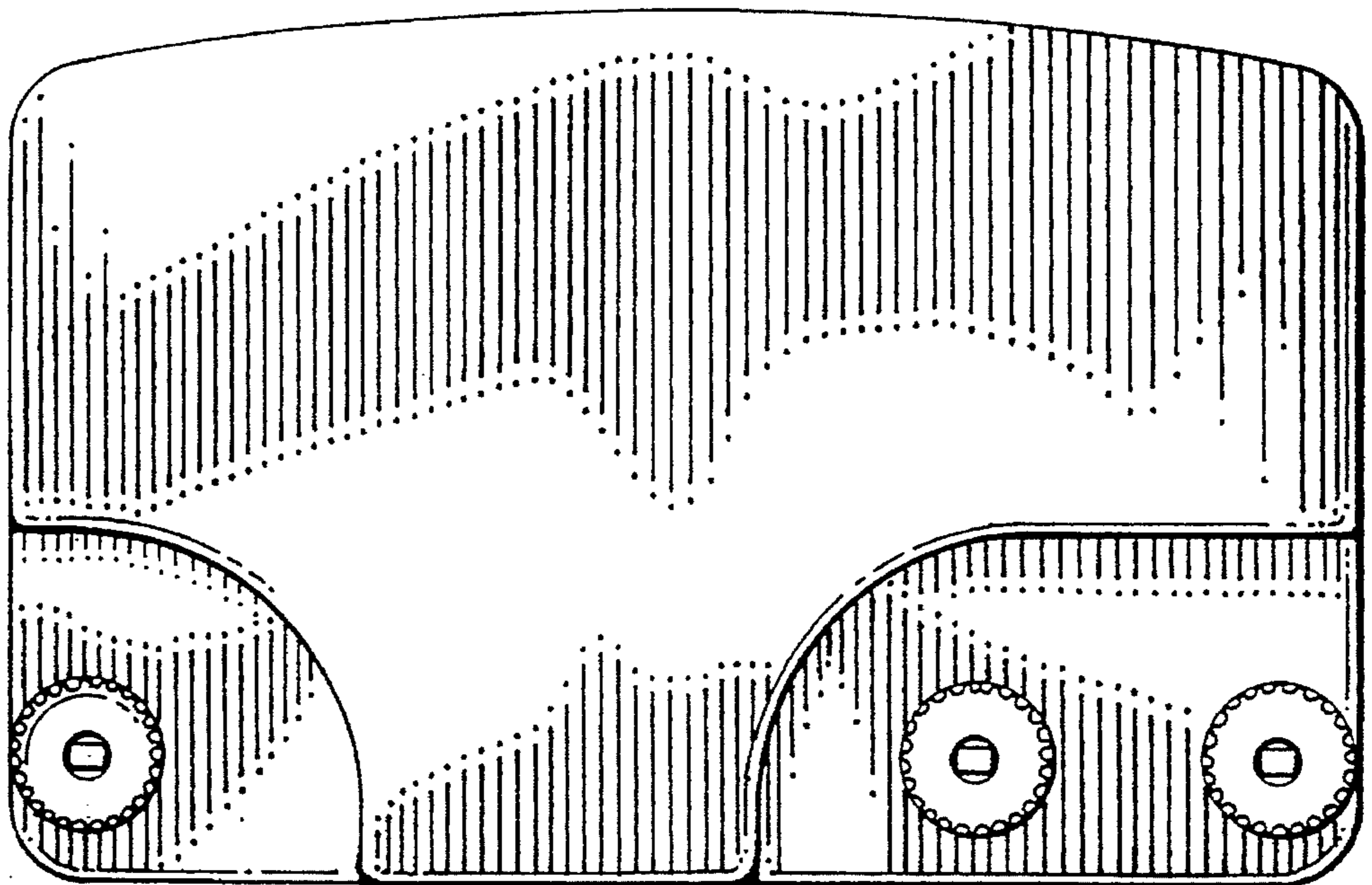


Fig 2

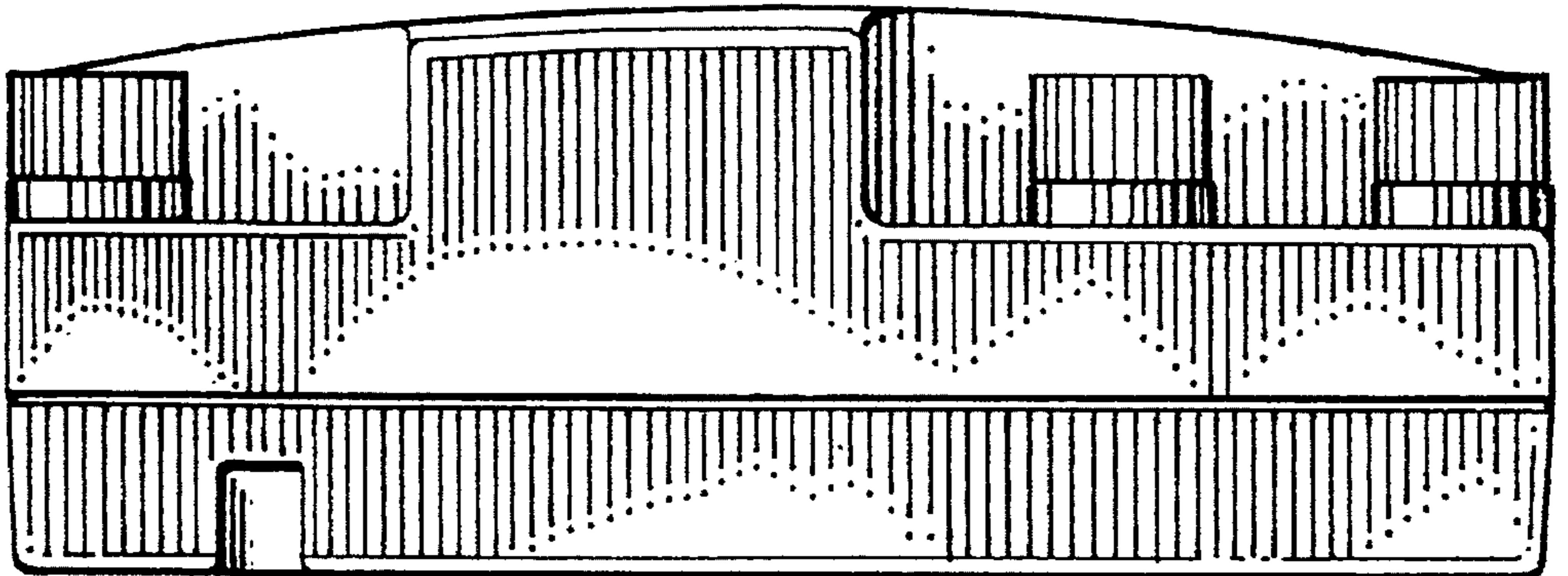


Fig 3

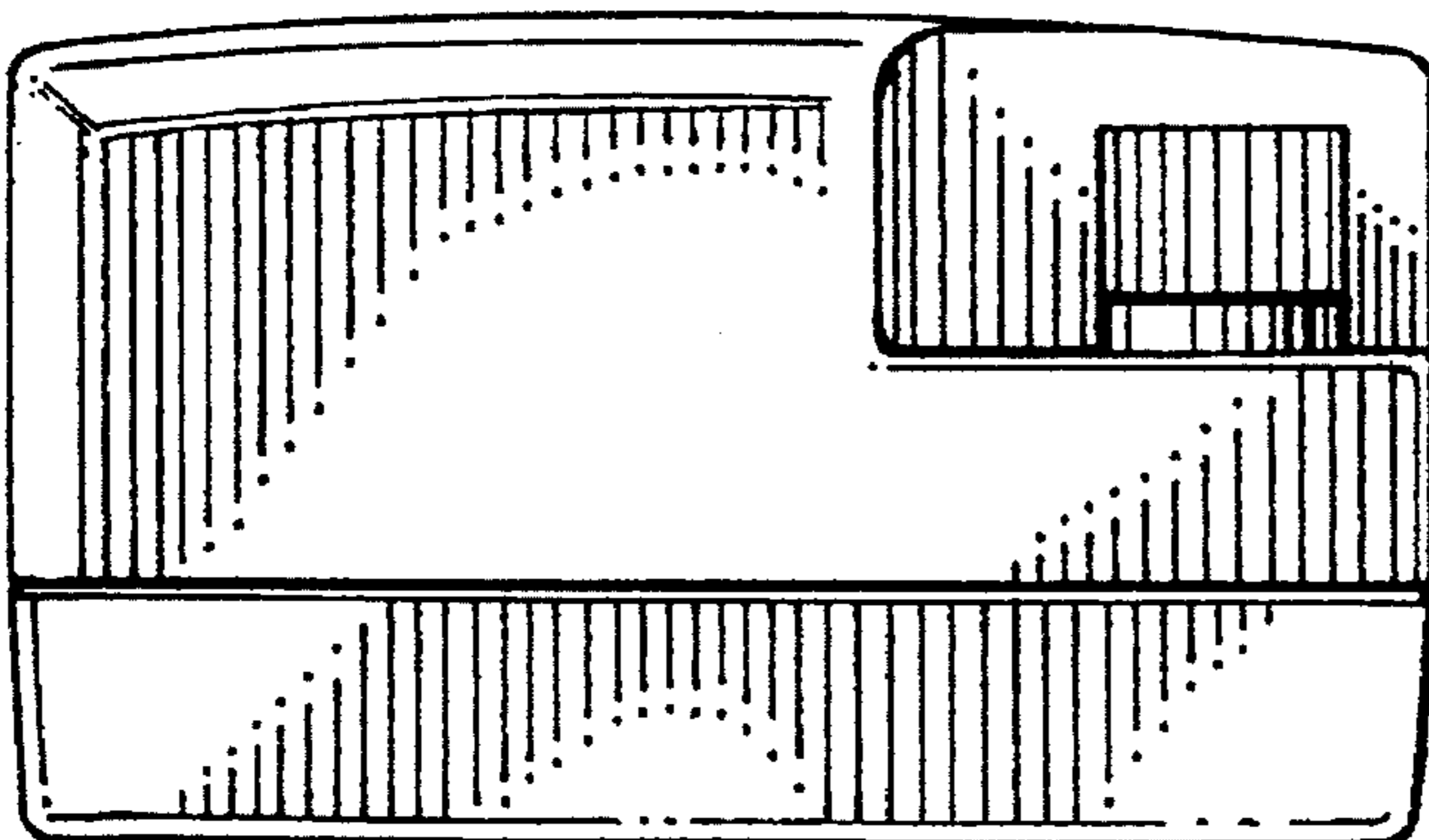


Fig 4

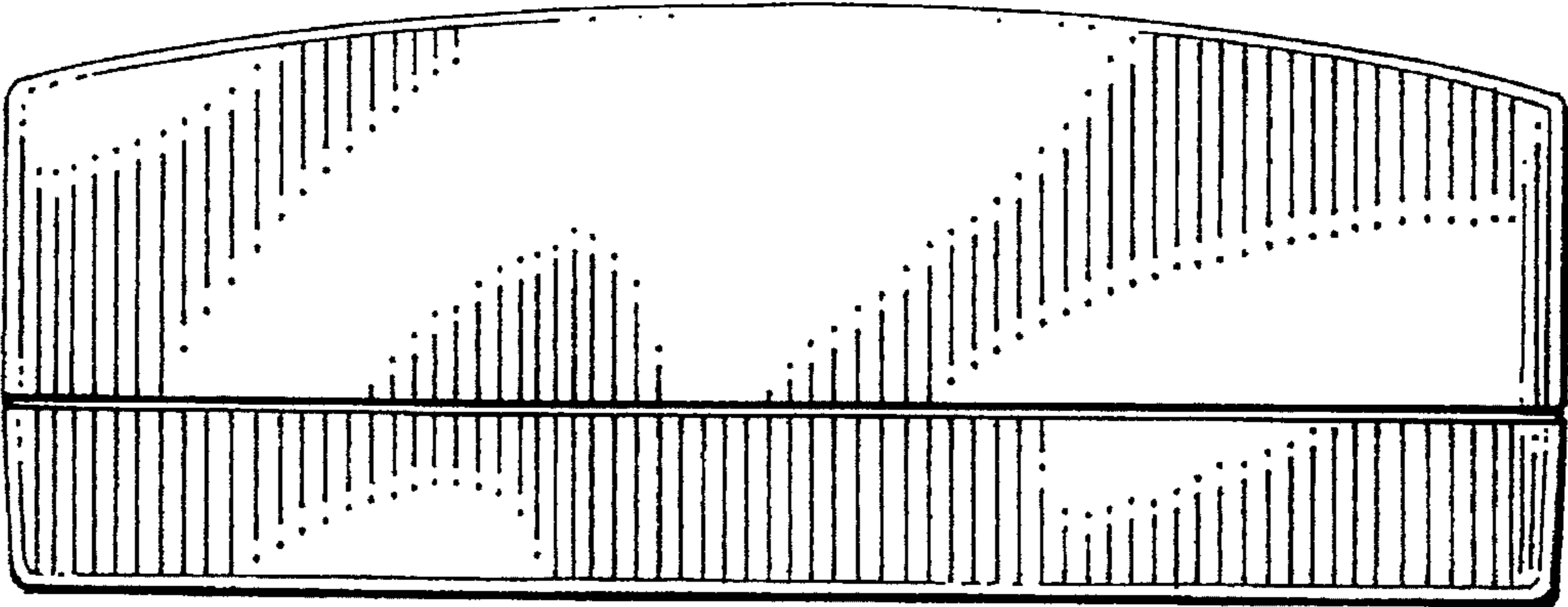


Fig 5

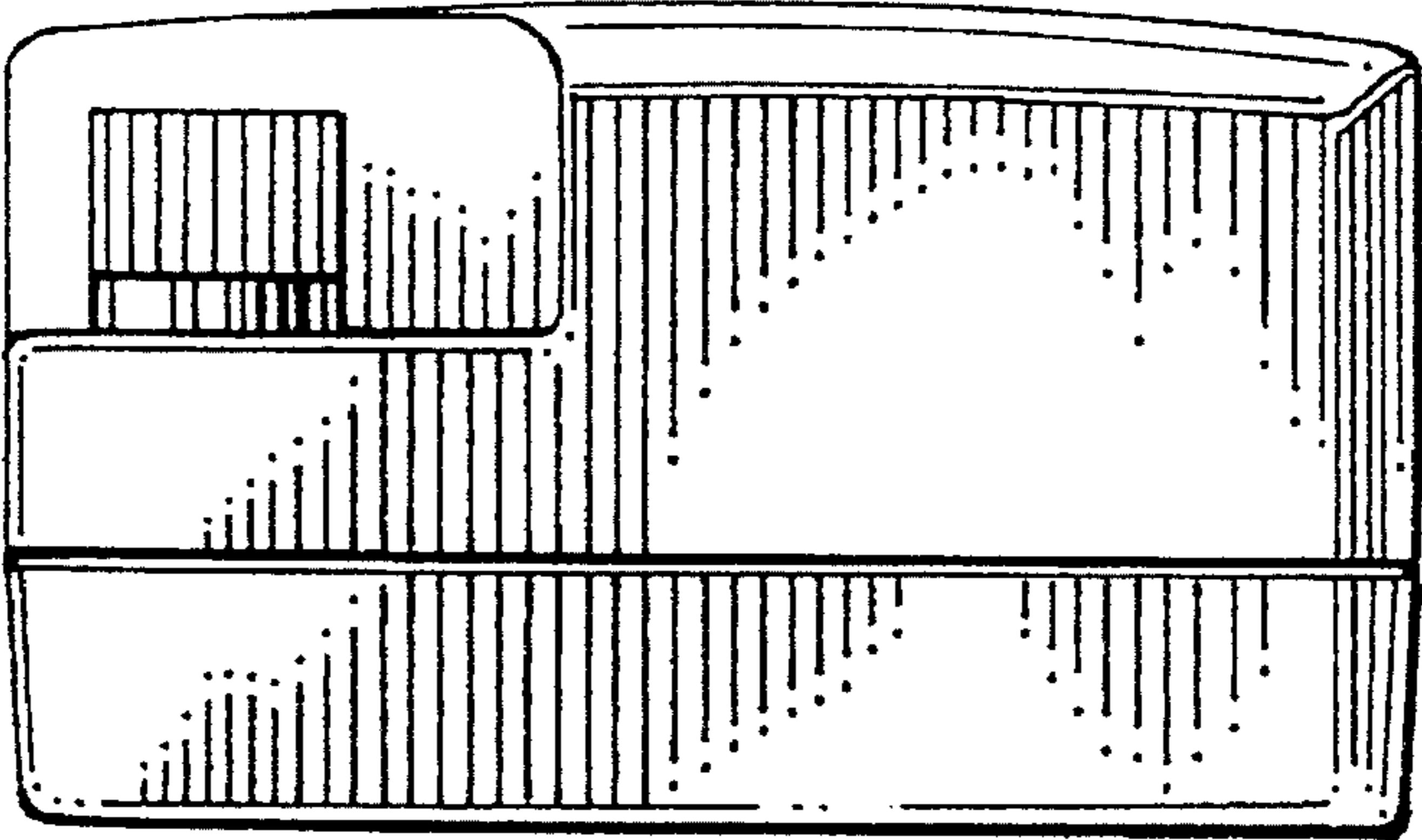


Fig 6

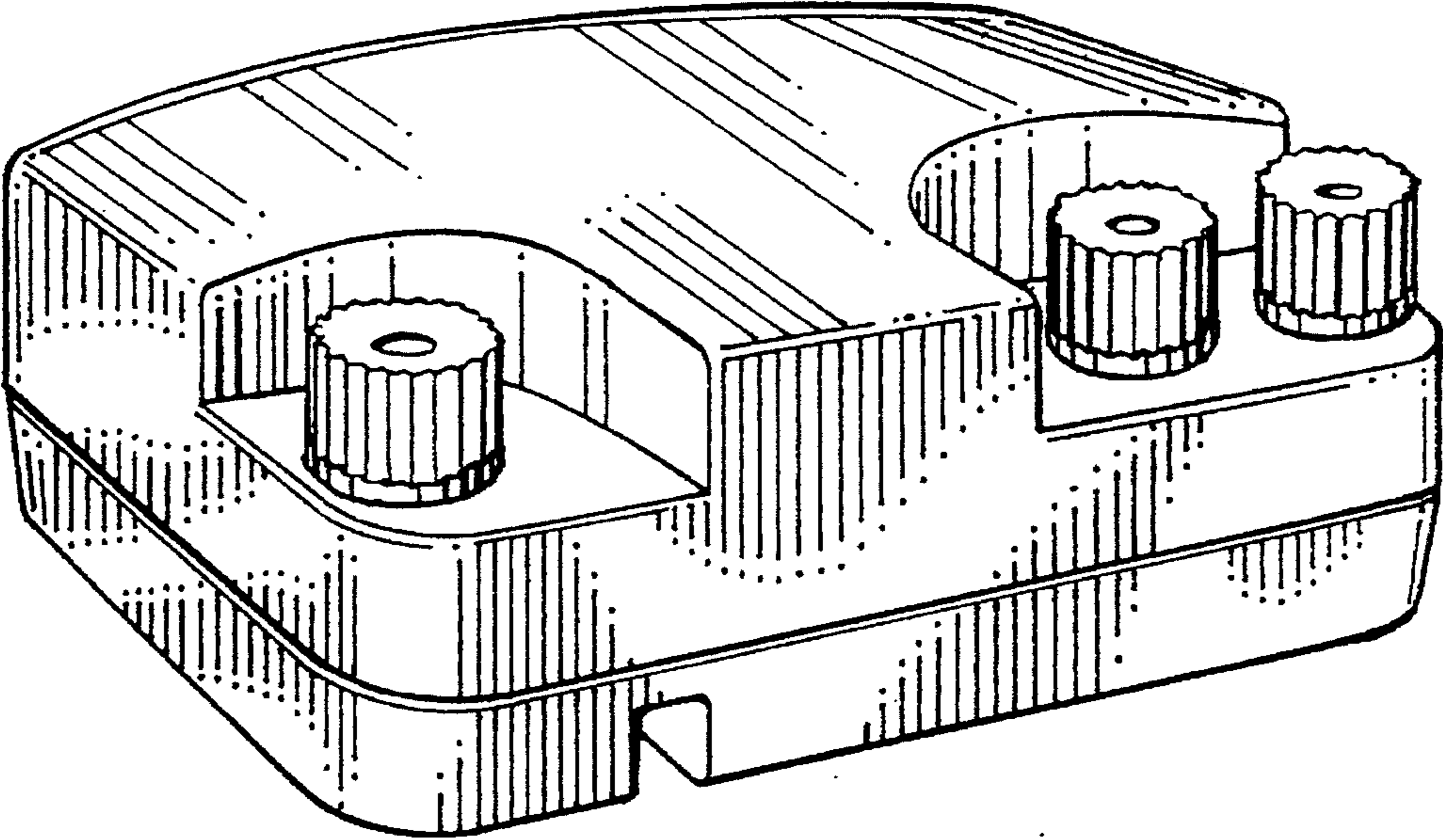


Fig 7

