



US00D366456S

United States Patent [19]

[11] Patent Number: **Des. 366,456**

Rodriguez et al.

[45] Date of Patent: ****Jan. 23, 1996**

[54] **TELEPHONE NETWORK REMOTE TERMINAL HOUSING**

[75] Inventors: **Horace C. Rodriguez**, Schaumburg; **Leonardo D. Moral**, Chicago; **Walter T. Harwood**, Streamwood; **Ronald M. Samson**, Carol Stream, all of Ill.

[73] Assignee: **Charles Industries, Ltd.**, Rolling Meadows, Ill.

[**] Term: **14 Years**

[21] Appl. No.: **15,556**

[22] Filed: **Nov. 19, 1993**

[52] U.S. Cl. **D13/147; D13/152; D14/240; D14/256**

[58] **Field of Search** D14/100, 107, D14/114, 140, 240, 256; D13/146, 147, 152, 164, 184; 379/399, 412, 419, 420, 428, 440; 439/721, 722, 723, 709, 252

[56] **References Cited**

U.S. PATENT DOCUMENTS

D. 271,295	11/1983	De Luca et al.	D14/256
D. 282,461	2/1986	Shimizu	D13/164
D. 282,654	2/1986	Perry et al.	D13/41
D. 284,567	7/1986	Cox et al.	D13/184 X
D. 297,136	8/1988	Collins et al.	D13/40
D. 300,923	5/1989	Collins et al.	D13/31
D. 304,339	10/1989	Collins et al.	D14/240
D. 312,820	12/1990	Collins et al.	D14/240
D. 313,417	1/1991	Graham et al.	D14/240
D. 313,803	1/1991	Collins et al.	D14/240
D. 314,385	2/1991	Karan et al.	D14/140
D. 314,759	2/1991	Collins et al.	D13/152 X
D. 315,566	3/1991	De Luca et al.	D14/256
D. 318,263	7/1991	Shimochi	D13/146
D. 318,653	7/1991	Nieves et al.	D13/184
D. 318,850	8/1991	Matsumoto et al.	D13/146 X
D. 318,852	8/1991	Matsumoto et al.	D13/147
D. 324,207	2/1992	Nieves	D13/184

D. 351,138	10/1994	Shimizu et al.	D13/152
4,488,008	12/1984	Dellinger et al.	179/81
4,647,725	3/1987	Dellinger et al.	329/29
4,729,059	3/1988	Wang	361/356
4,741,032	4/1988	Hampton	379/399
4,749,359	6/1988	White	439/133
4,809,323	2/1989	Collins et al.	379/399
4,827,504	5/1989	Collins et al.	379/399
4,850,014	7/1989	Gillis et al.	379/399
4,853,960	9/1989	Smith	439/709 X
4,860,350	9/1989	Smith	379/412
4,910,770	3/1990	Collins et al.	379/399
4,919,544	4/1990	Graham	379/399
4,932,051	6/1990	Karan et al.	379/399
4,945,559	7/1990	Collins et al.	379/399
4,945,560	7/1990	Collins et al.	379/399
4,949,376	8/1990	Nieves et al.	379/399
4,979,209	12/1990	Collins et al.	379/399
5,153,911	10/1992	Smith	379/399
5,207,583	5/1993	DeBalko et al.	439/49

Primary Examiner—Jeffrey Asch
Attorney, Agent, or Firm—Leydig, Voit & Mayer, Ltd.

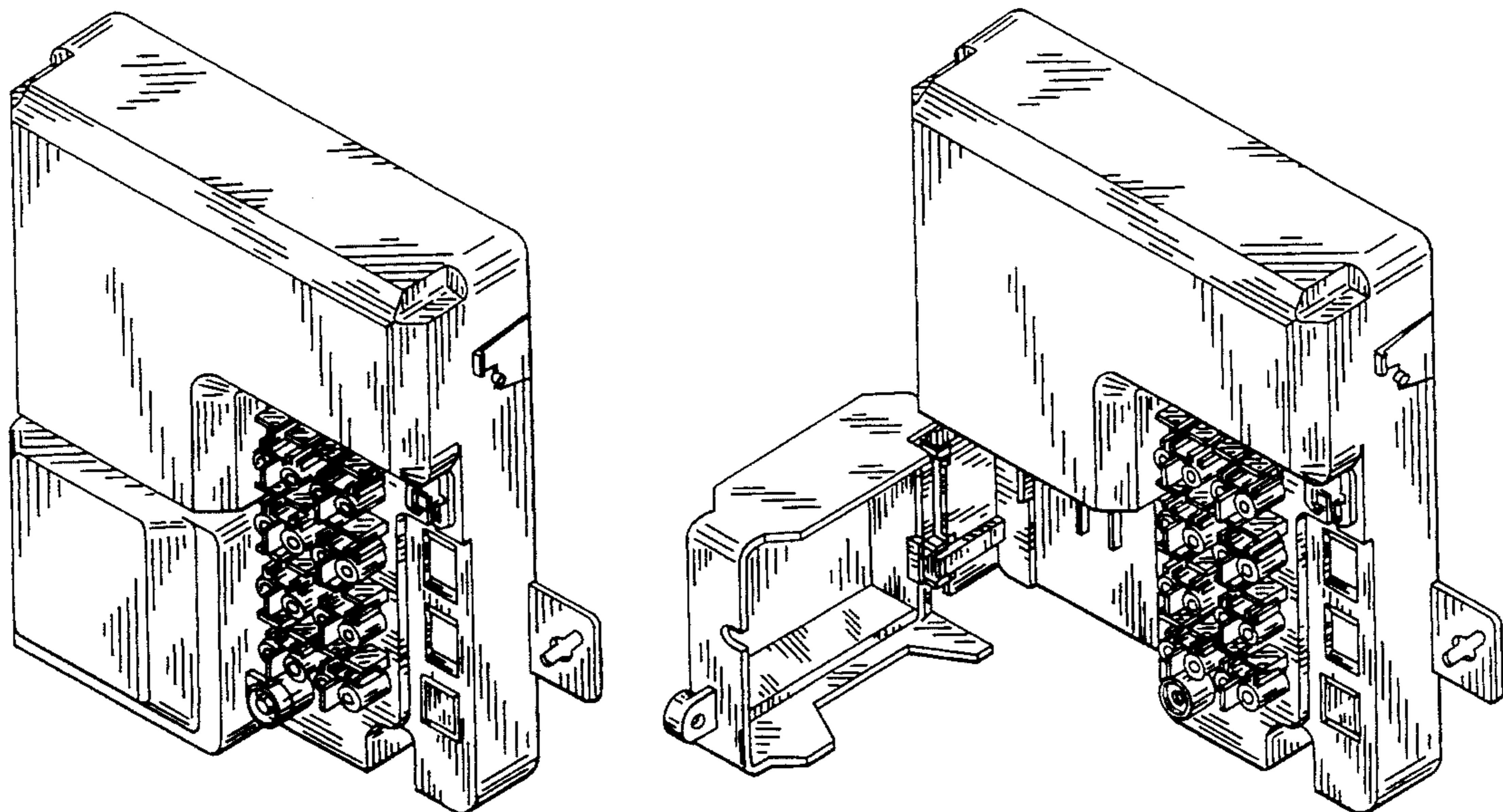
[57] **CLAIM**

The ornamental design for a telephone network remote terminal housing, as shown and described.

DESCRIPTION

FIG. 1 is a front, top, and right side perspective view of a telephone network remote terminal housing showing our new design in closed position;
 FIG. 2 is a front elevational view thereof;
 FIG. 3 is a right side elevational view thereof;
 FIG. 4 is a rear elevational view thereof;
 FIG. 5 is a left side elevational view thereof;
 FIG. 6 is a top plan view thereof;
 FIG. 7 is a bottom plan view thereof;
 FIG. 8 is a front elevational view thereof showing our new design in open position; and,
 FIG. 9 is a front, top, and right side perspective view thereof showing our new design in partially open position.

1 Claim, 6 Drawing Sheets



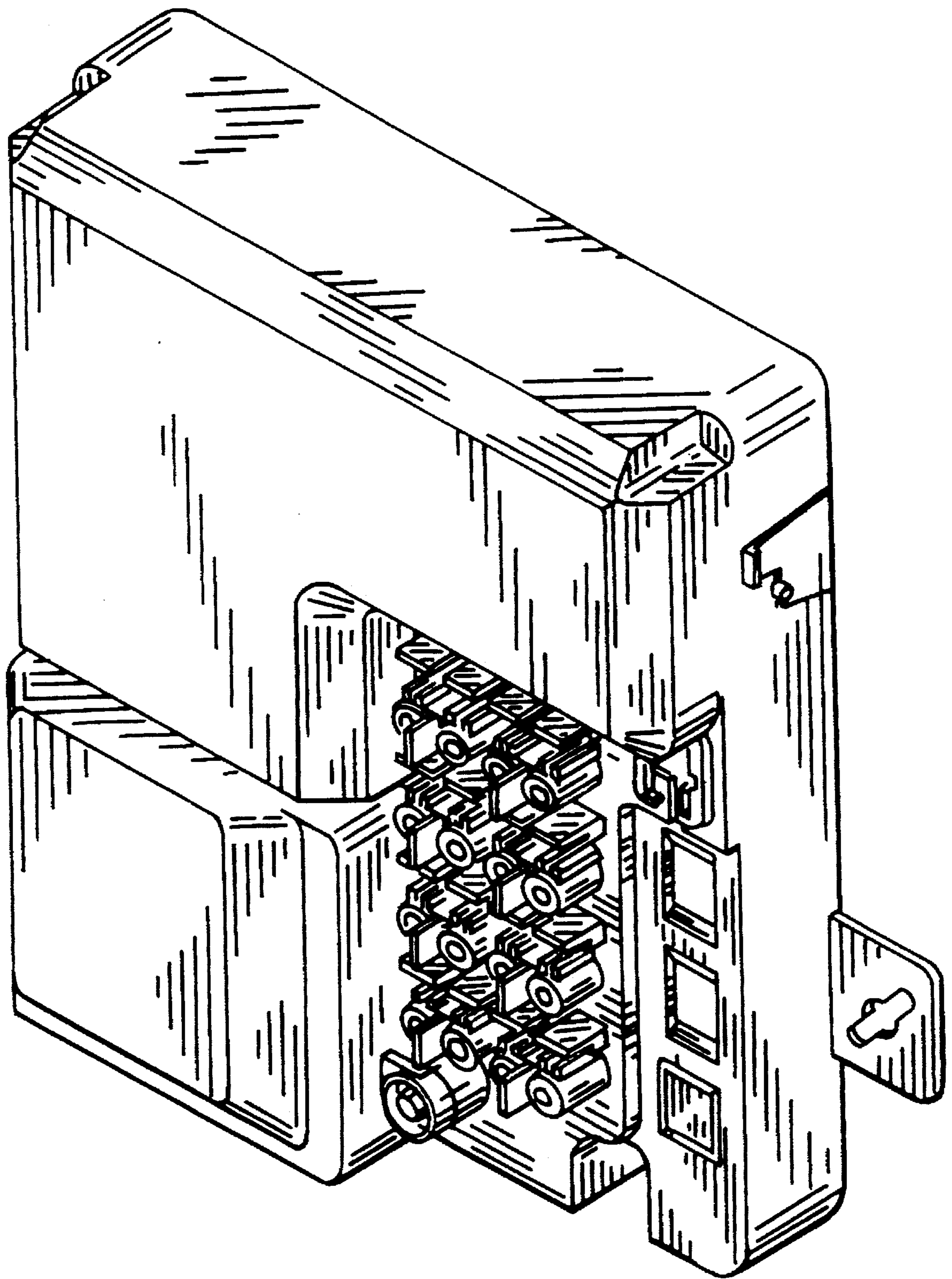


FIG. 1

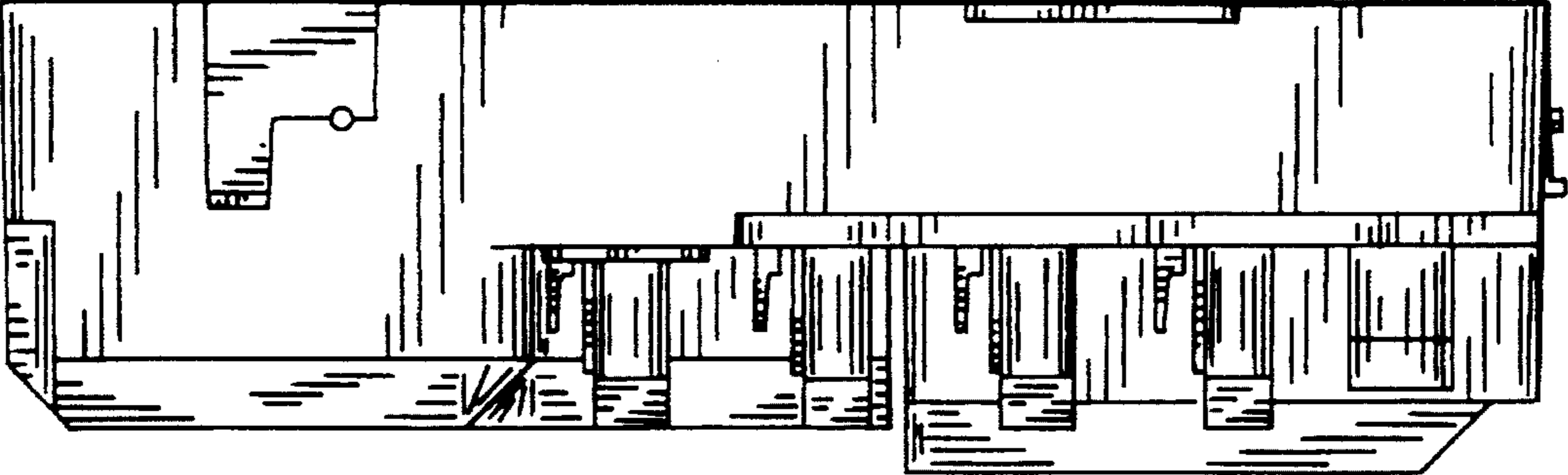


FIG. 3

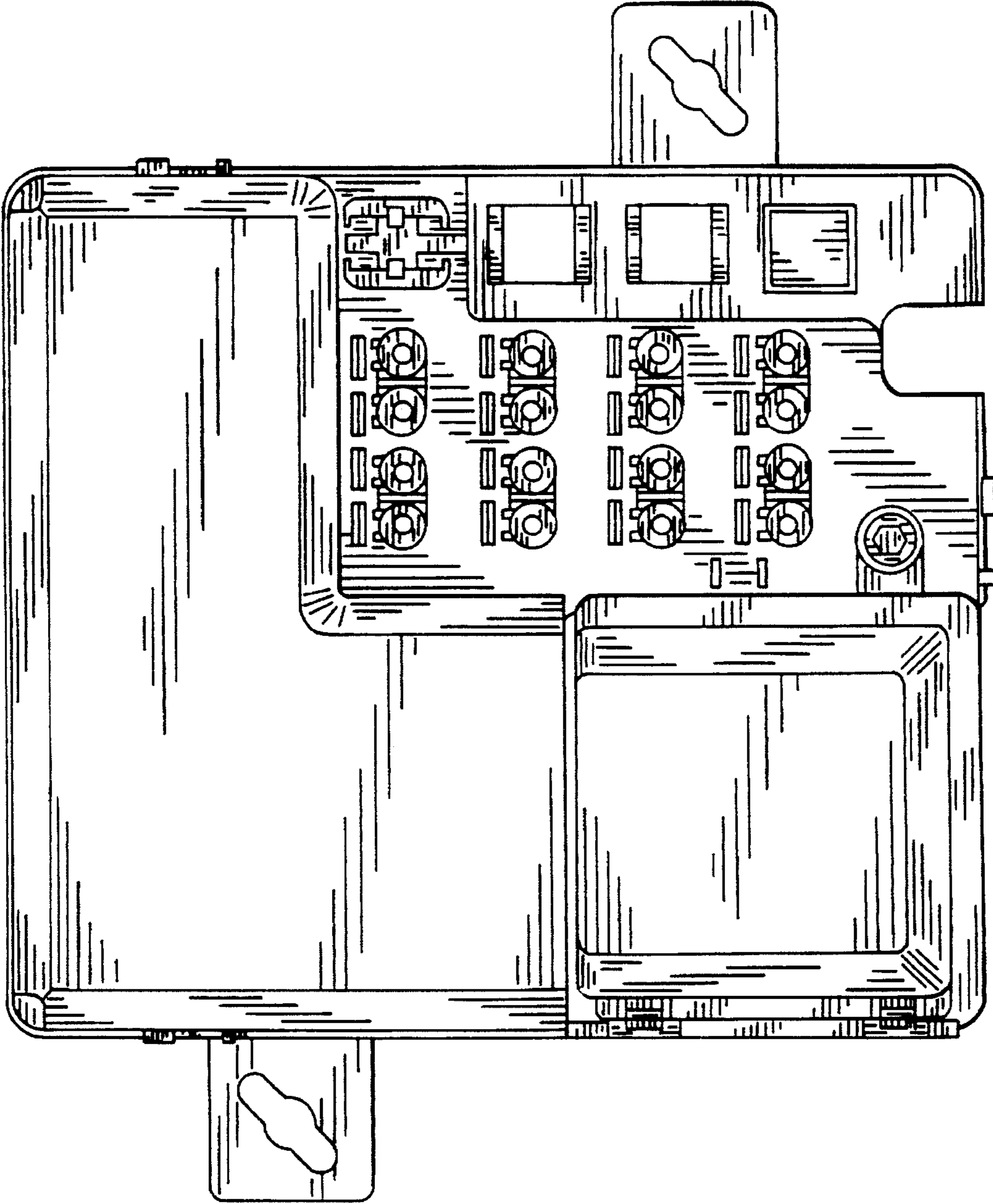


FIG. 2

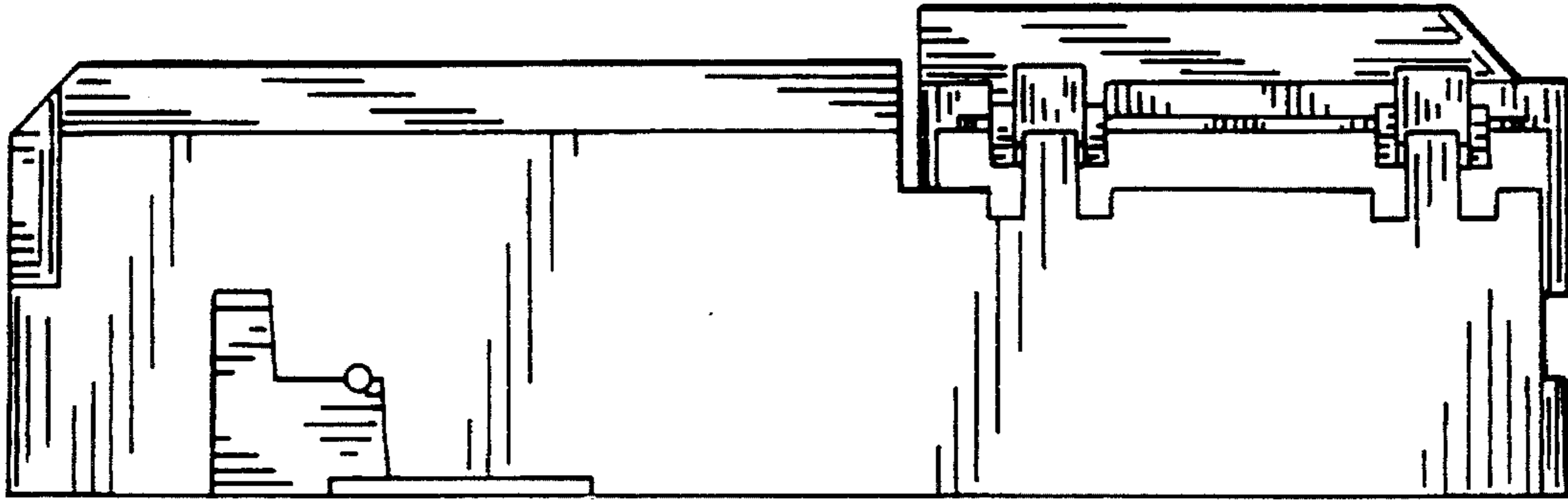


FIG. 5

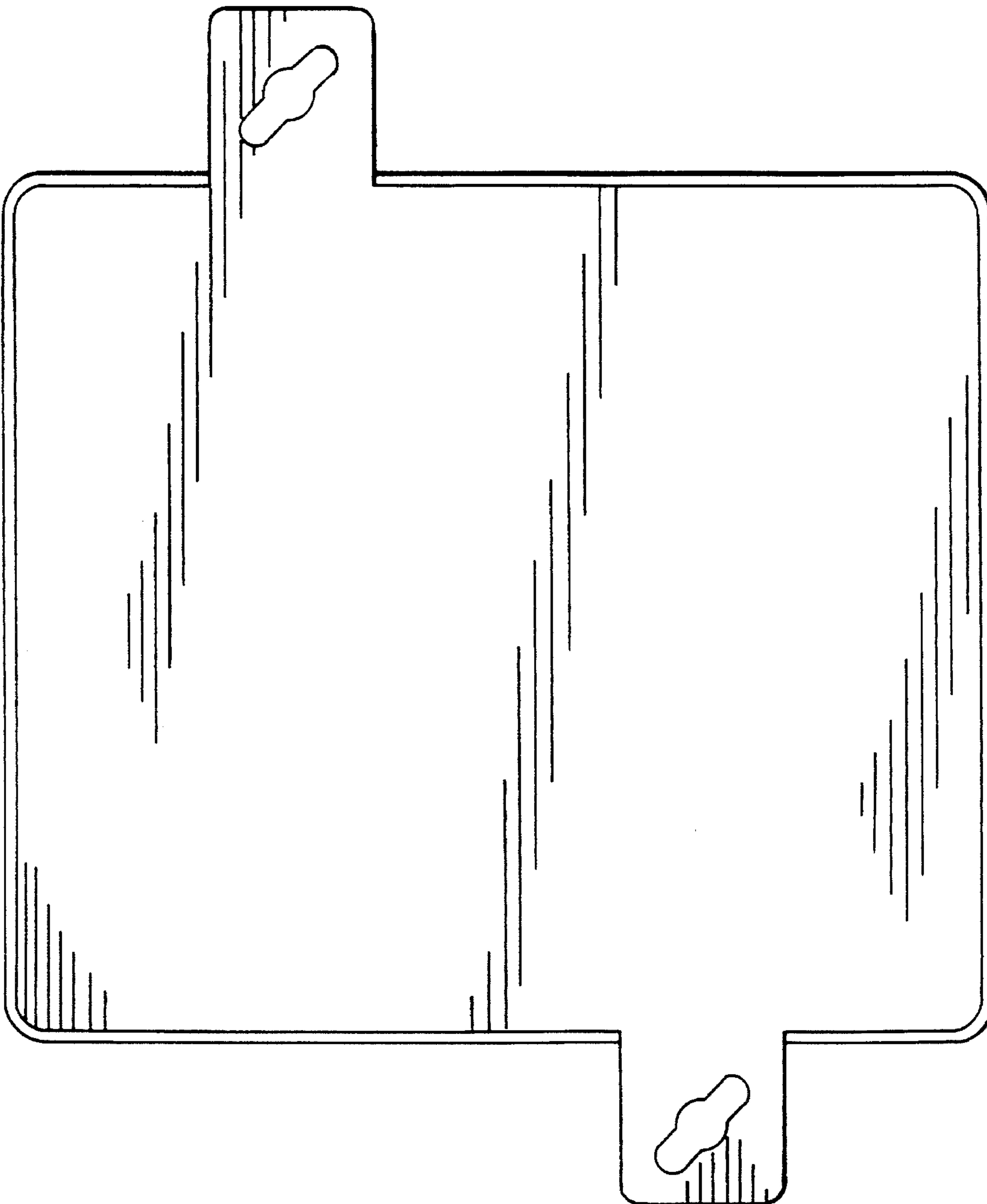


FIG. 4

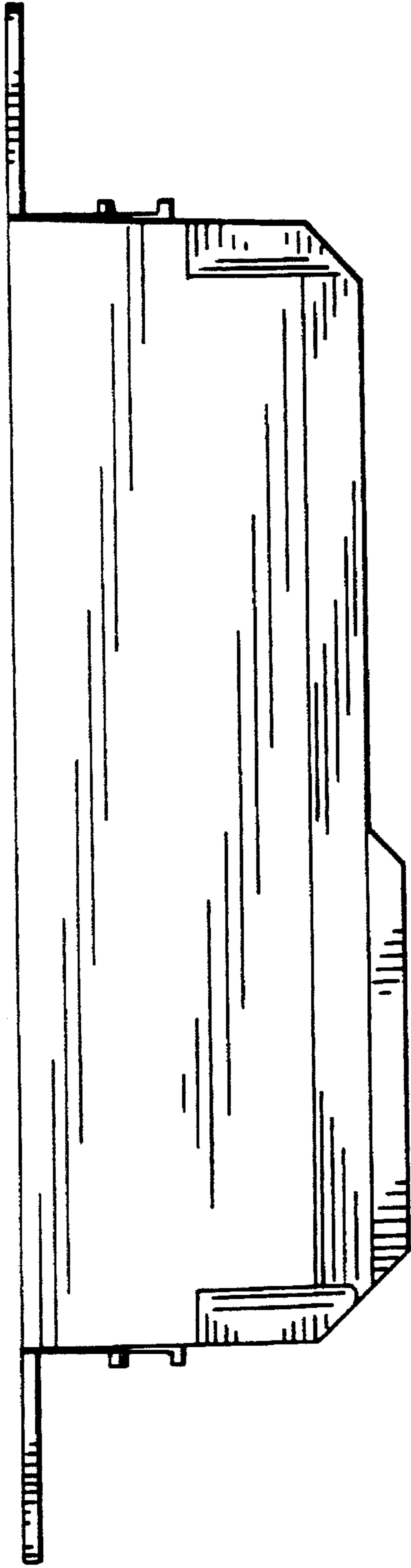


FIG. 6

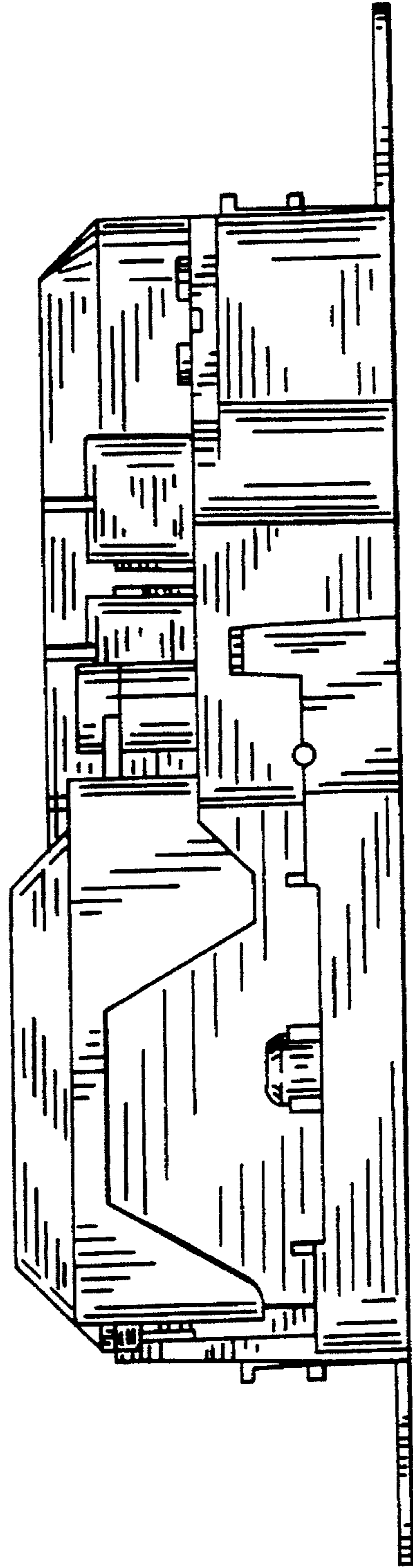


FIG. 7

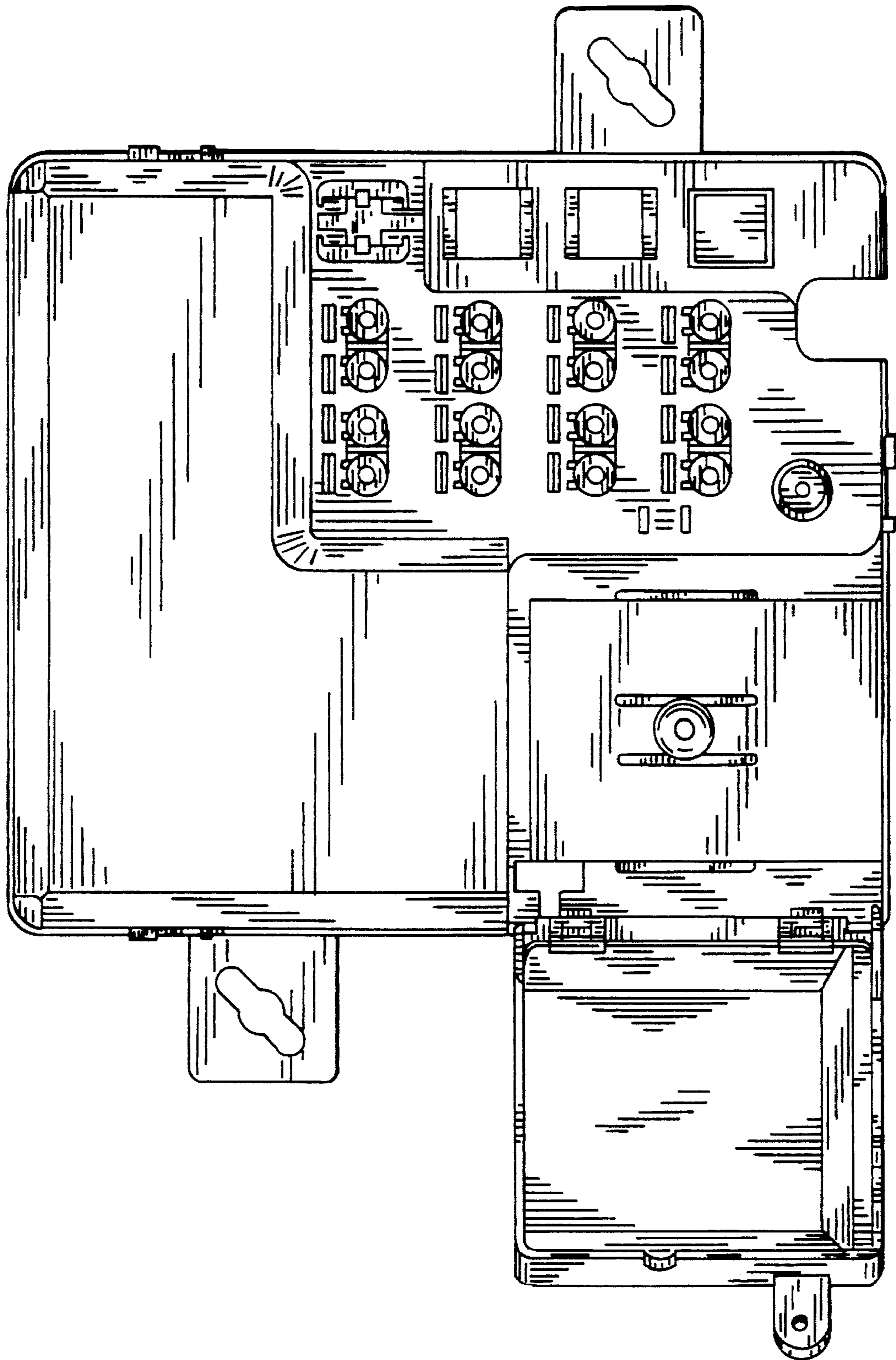


FIG. 8

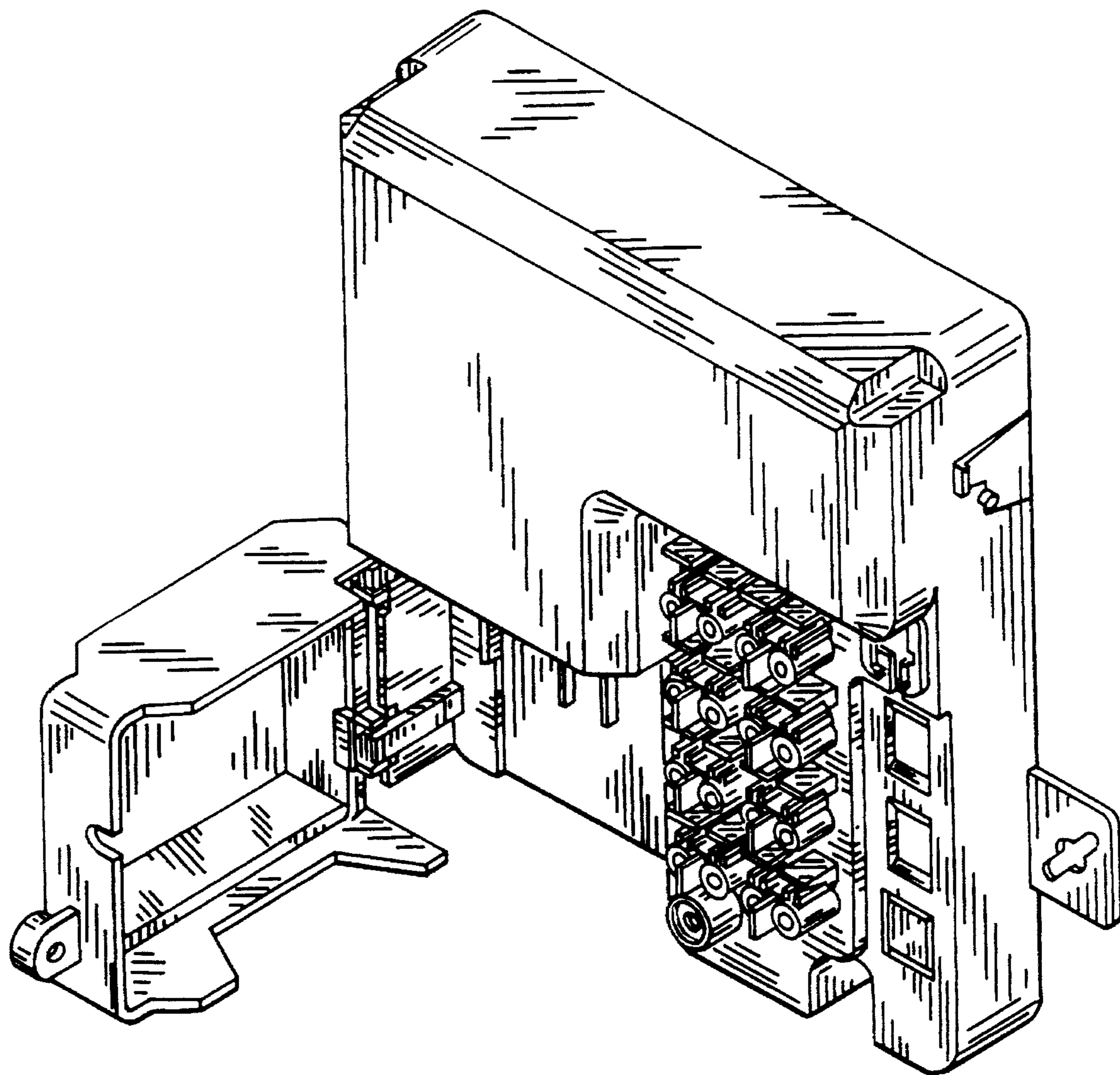


FIG.9