



US00D366454S

United States Patent [19]

[11] **Patent Number: Des. 366,454**

Eaton

[45] **Date of Patent: **Jan. 23, 1996**

[54] **PARALLEL MOUNTING HYBRID MODULAR ELECTRICAL SIGNAL CONNECTOR**

Attorney, Agent, or Firm—Burns, Doane, Swecker & Mathis

[75] Inventor: **Larry D. Eaton**, Fremont, Calif.

[57] **CLAIM**

[73] Assignee: **TVM, Inc.**, Fremont, Calif.

The ornamental design for a parallel mounting hybrid modular electrical signal connector, as shown and described.

[**] Term: **14 Years**

DESCRIPTION

[21] Appl. No.: **29,411**

FIG. 1 is a perspective view as seen from the front and upper right of a parallel mounting hybrid modular electrical signal connector showing my new design;

[22] Filed: **Sep. 22, 1994**

[52] U.S. Cl. **D13/147**

FIG. 2 is a front elevational view thereof;

[58] **Field of Search** D13/146, 147;
439/76, 78, 79, 80, 81, 82, 564, 620, 701

FIG. 3 is a left side elevational view thereof;

[56] **References Cited**

FIG. 4 is a back elevational view thereof;

U.S. PATENT DOCUMENTS

FIG. 5 is a right side elevational view thereof;

D. 330,540	10/1992	Tanaka	D13/147
3,054,078	9/1962	Baschkin	339/18
3,456,231	7/1969	Paullus et al.	339/60
3,471,822	10/1969	Van Baelen	339/18
4,090,764	5/1978	Malsby et al.	339/103 M
4,749,357	6/1988	Foley	439/80
4,824,380	4/1989	Matthews	439/78
5,055,055	10/1991	Bakker	439/78
5,236,375	8/1993	Kachlic	439/701 X

FIG. 6 is a top plan view thereof;

FIG. 7 is a bottom plan view thereof;

OTHER PUBLICATIONS

Molex connector, 8724 on p. 76A of *Molex Catalog 980, 2nd edition*.

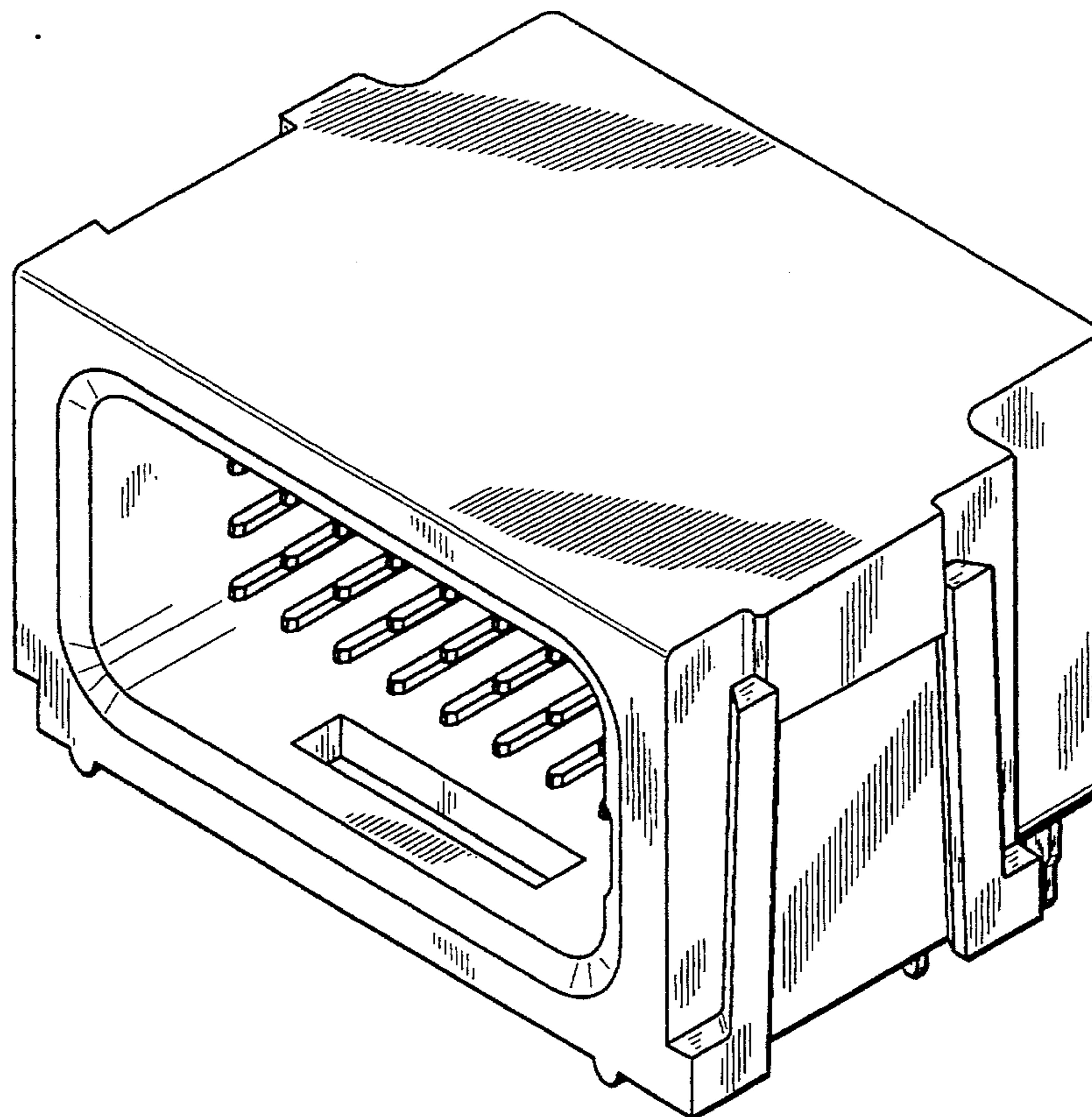
FIG. 8 is a perspective view as seen from the rear and lower left thereof; and,

FIG. 9 is a sectional view thereof taken along line 9—9 of FIG. 2.

The cross-sectional view is included for the purpose of showing surface contours which may not be clear from the remaining illustrations. Any features of internal construction shown are incidental and form no part of the claimed design.

Primary Examiner—Joel Sincavage

1 Claim, 5 Drawing Sheets



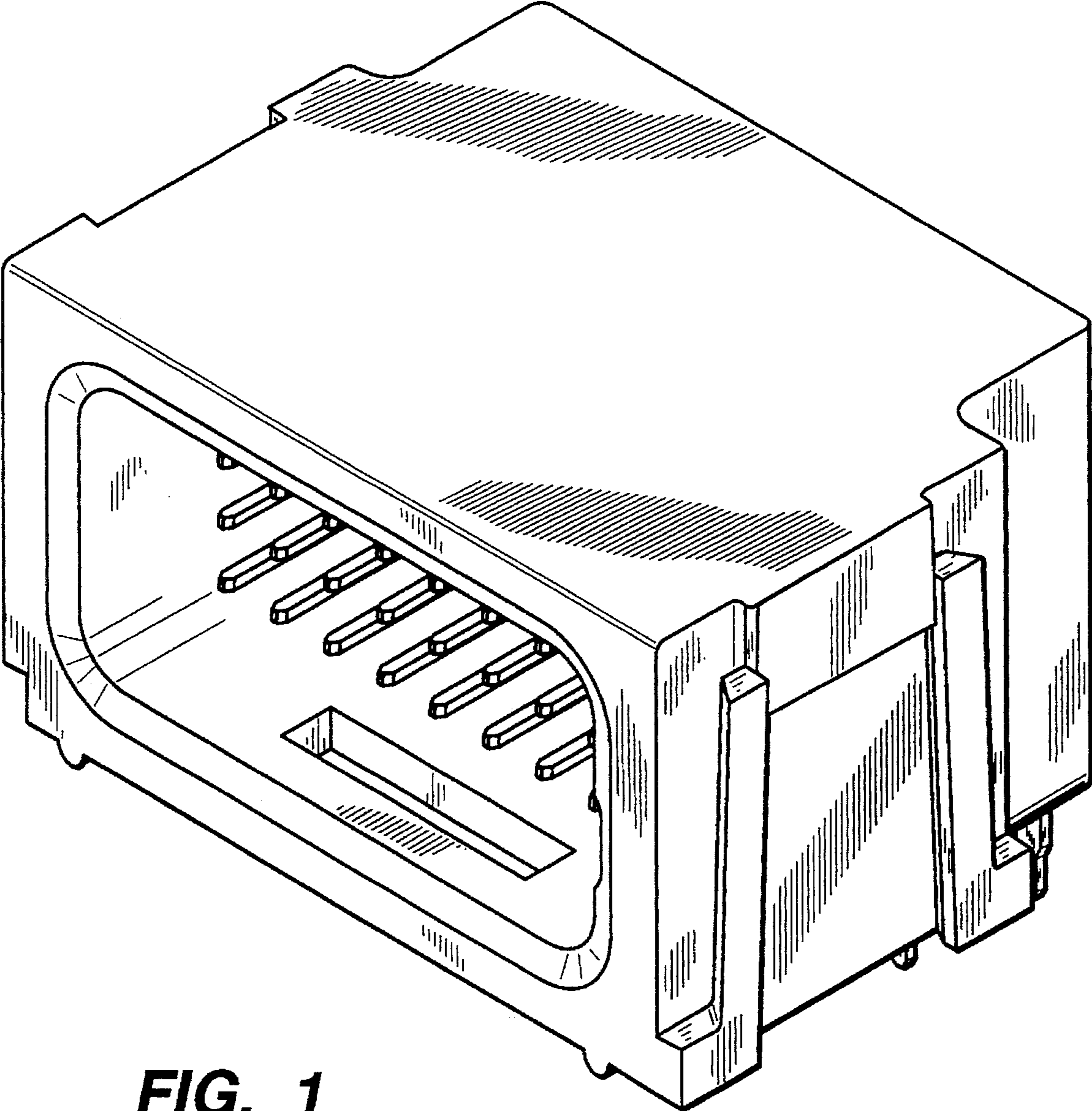


FIG. 1

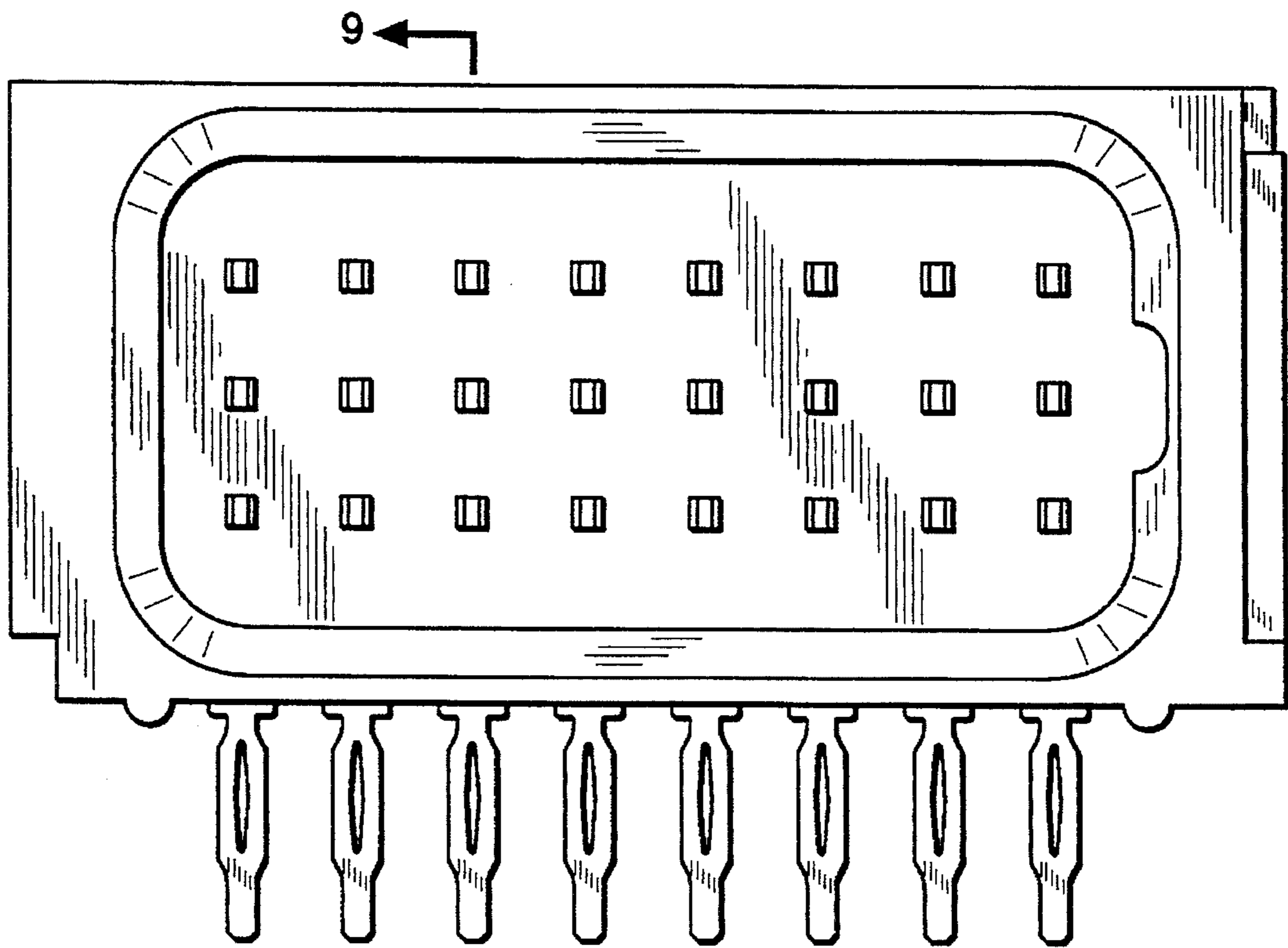


FIG. 2

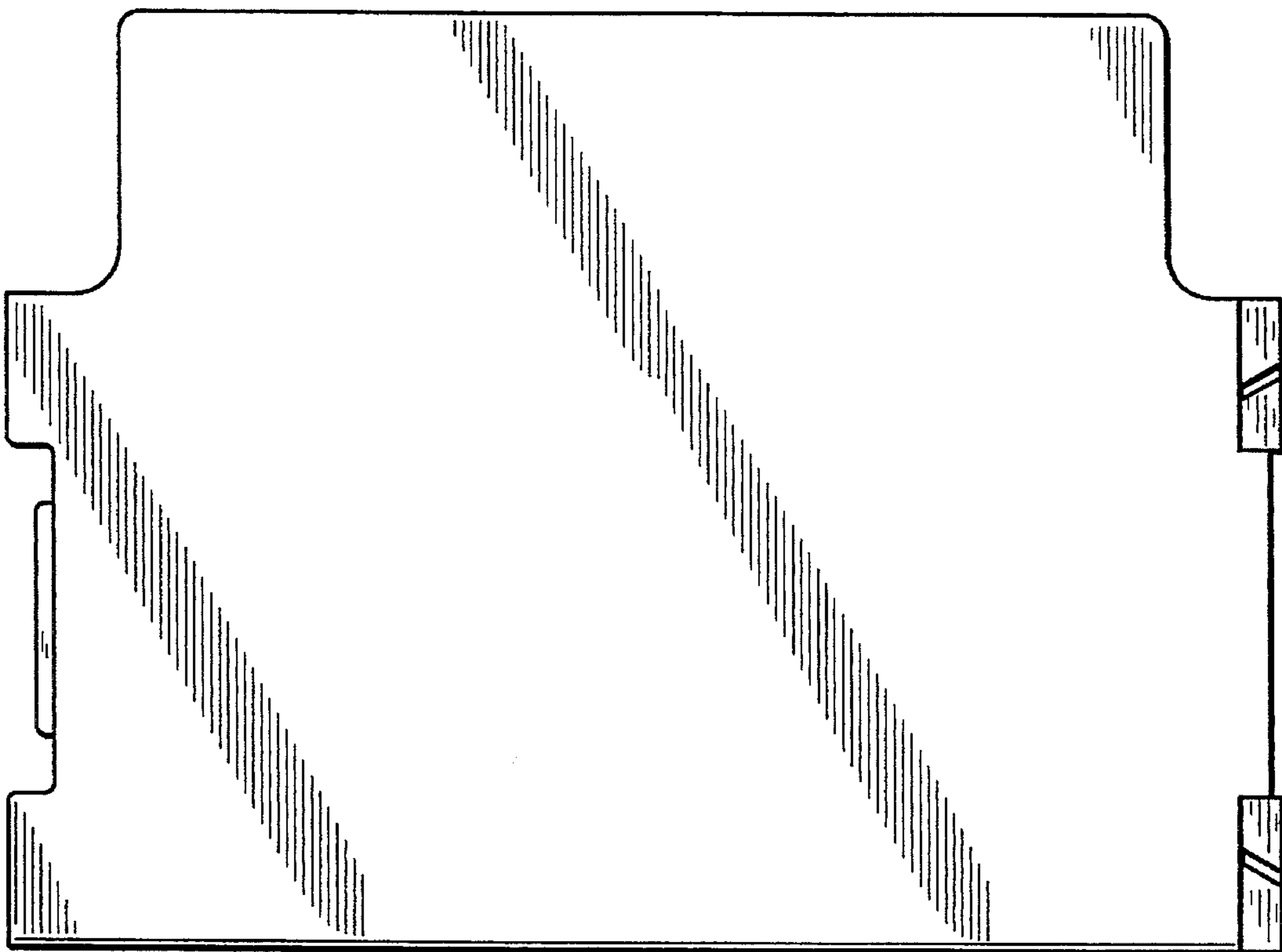


FIG. 6

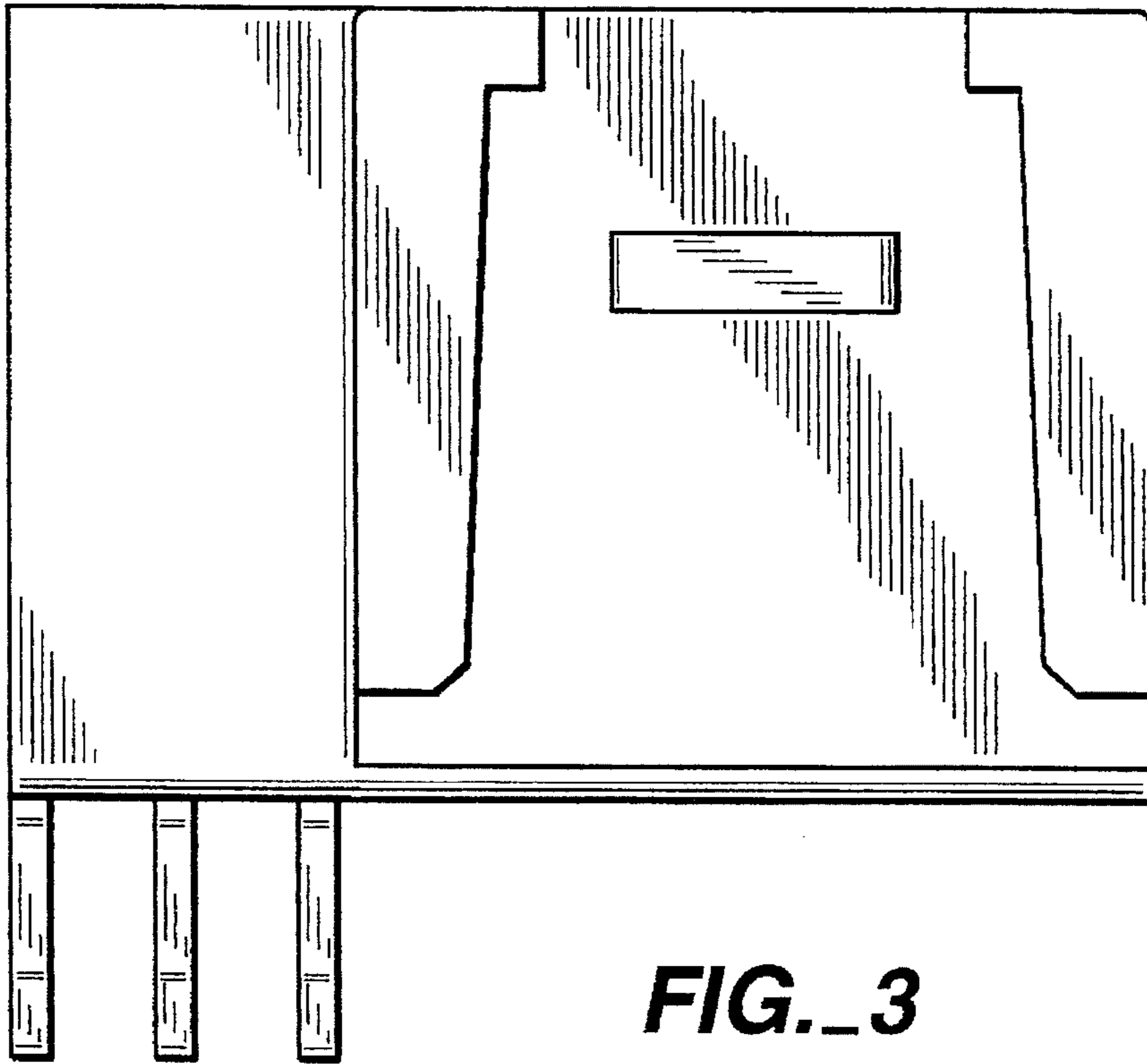


FIG. 3

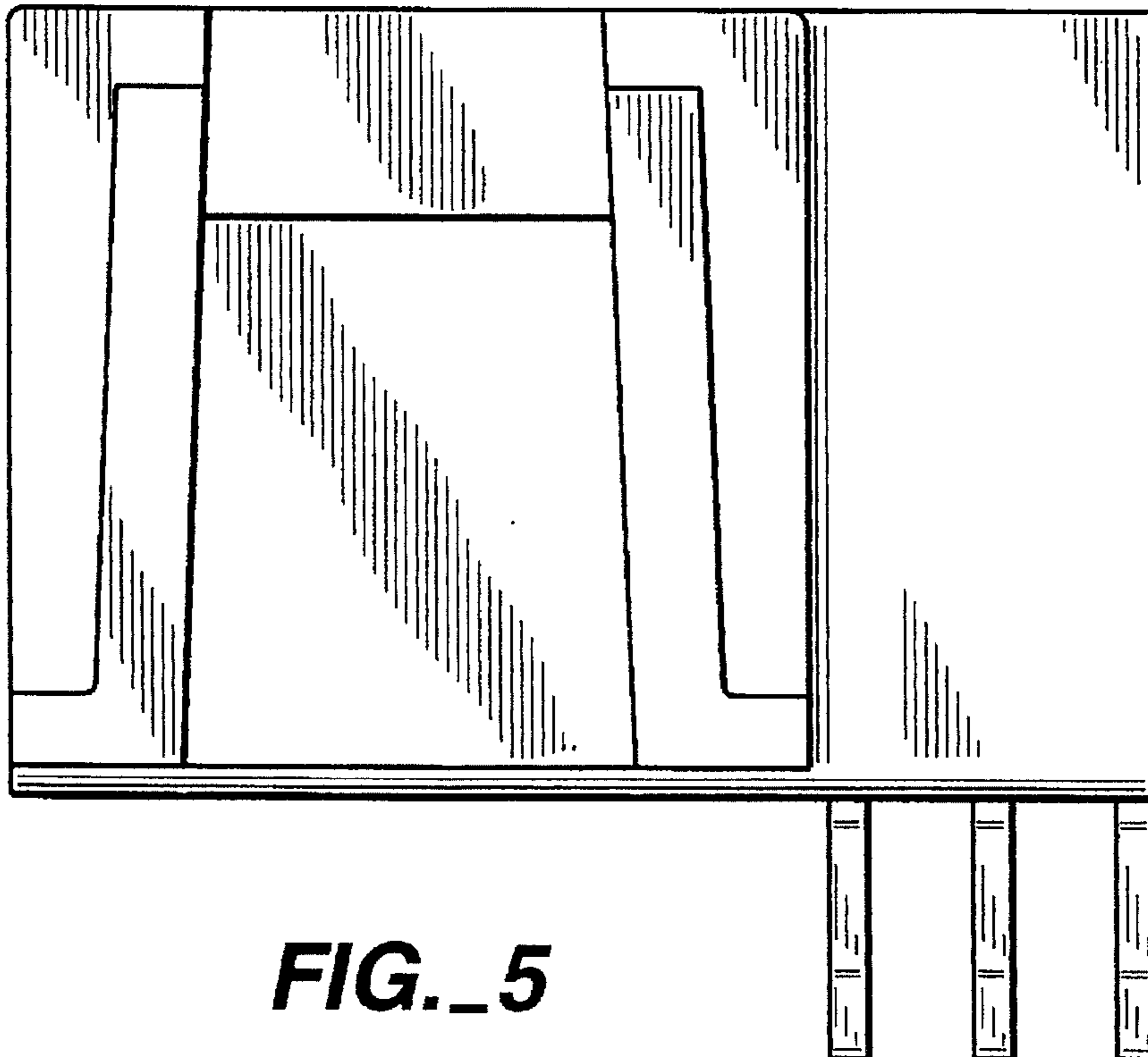


FIG. 5

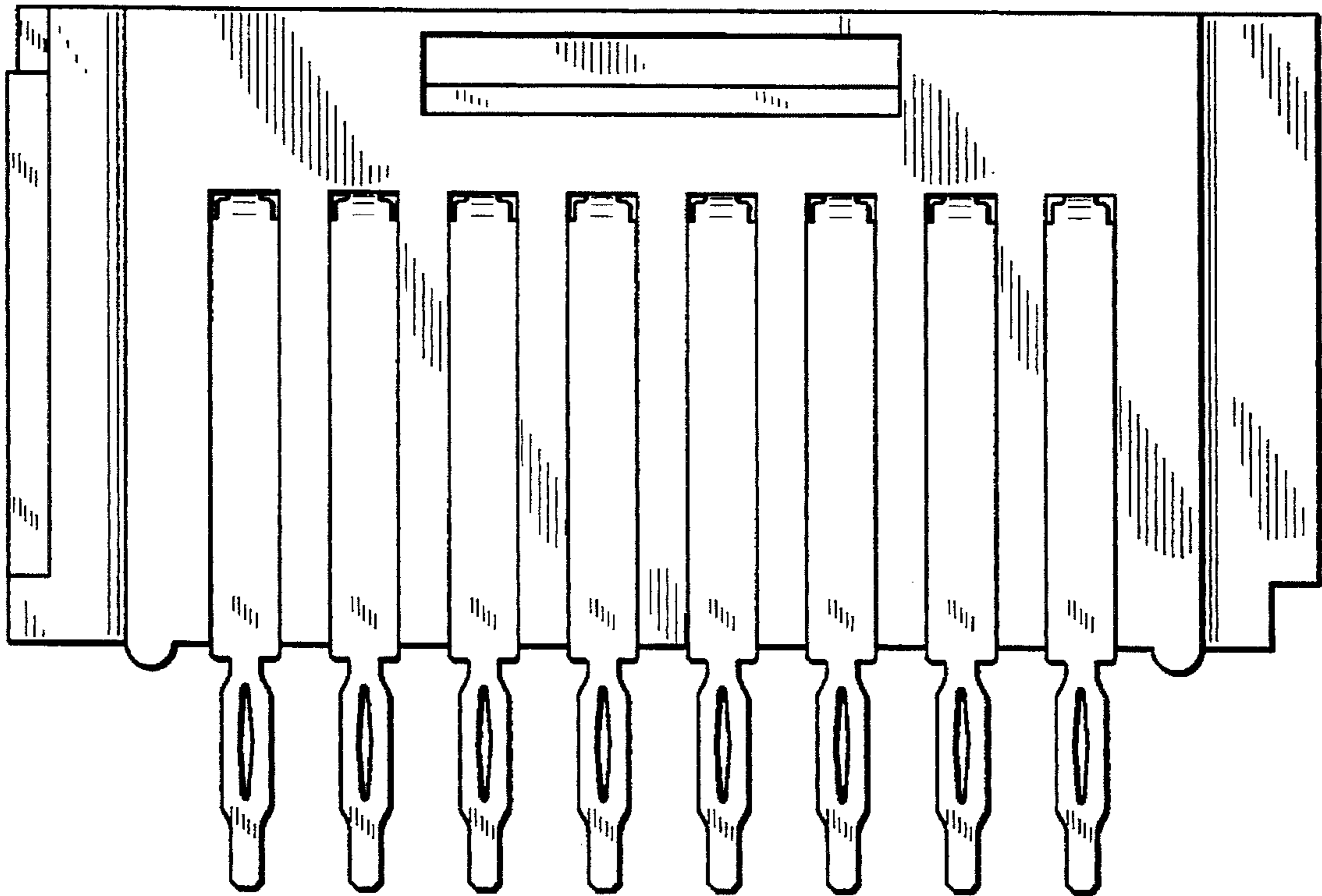


FIG. 4

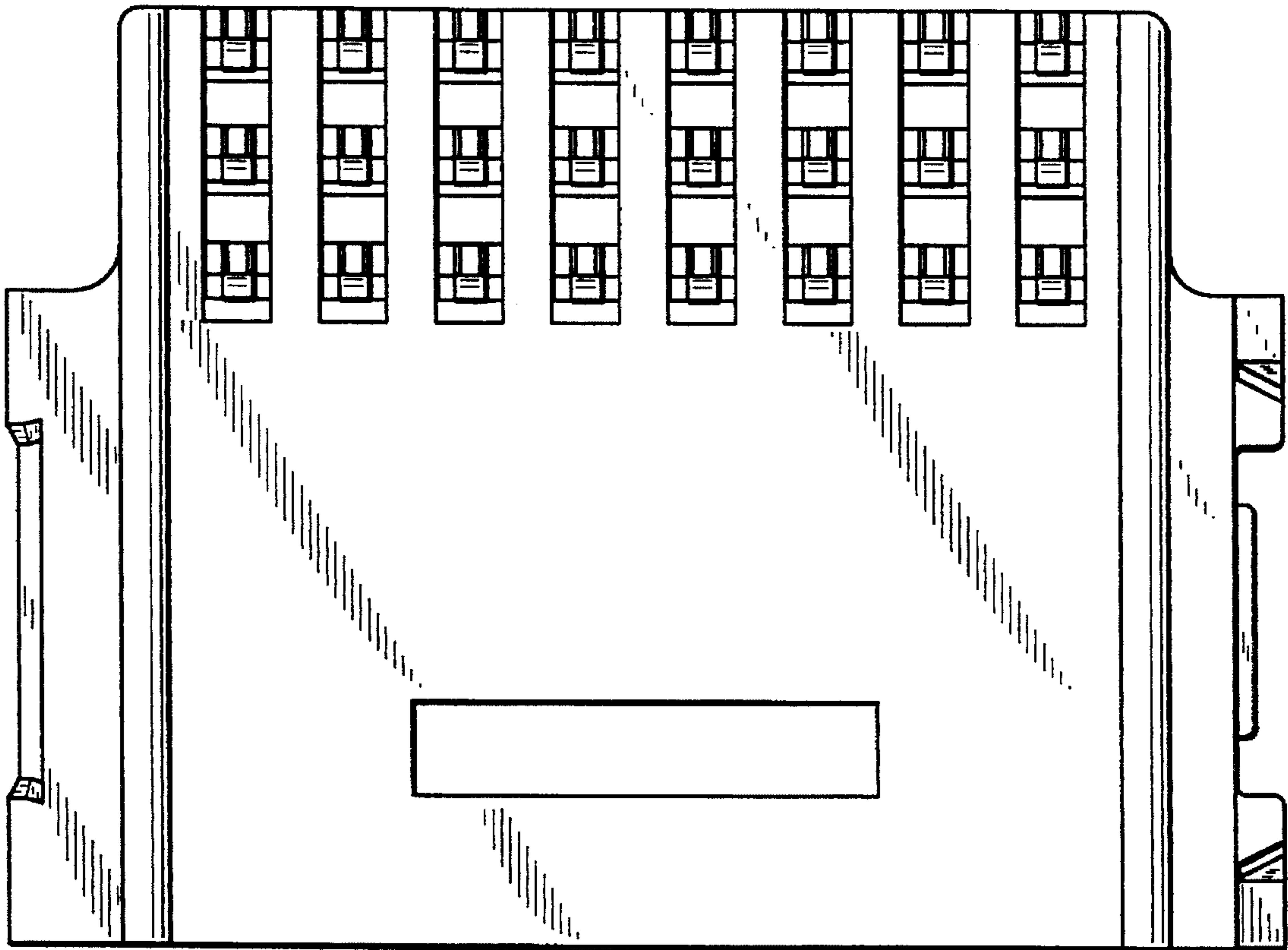


FIG. 7

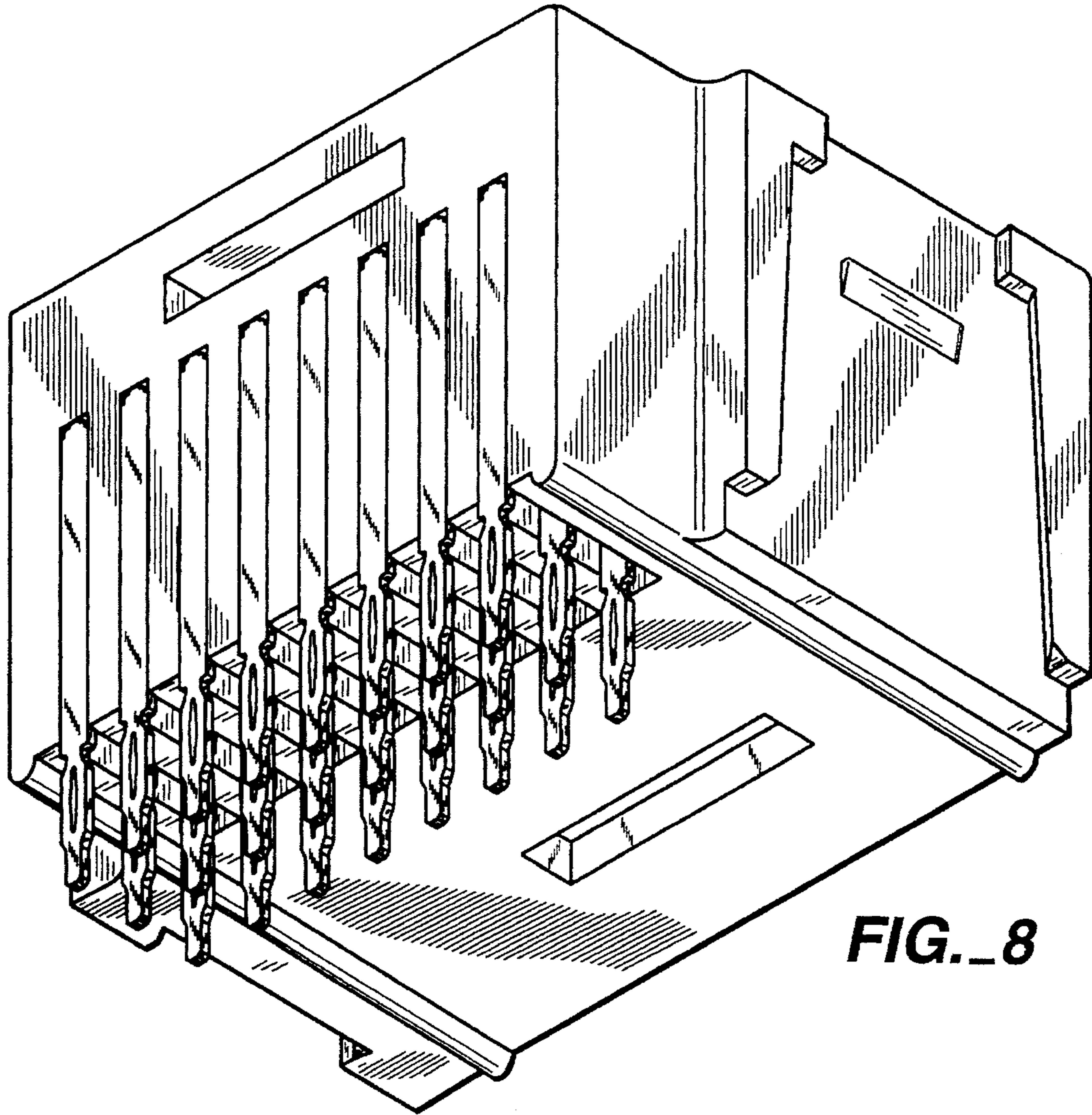


FIG. 8

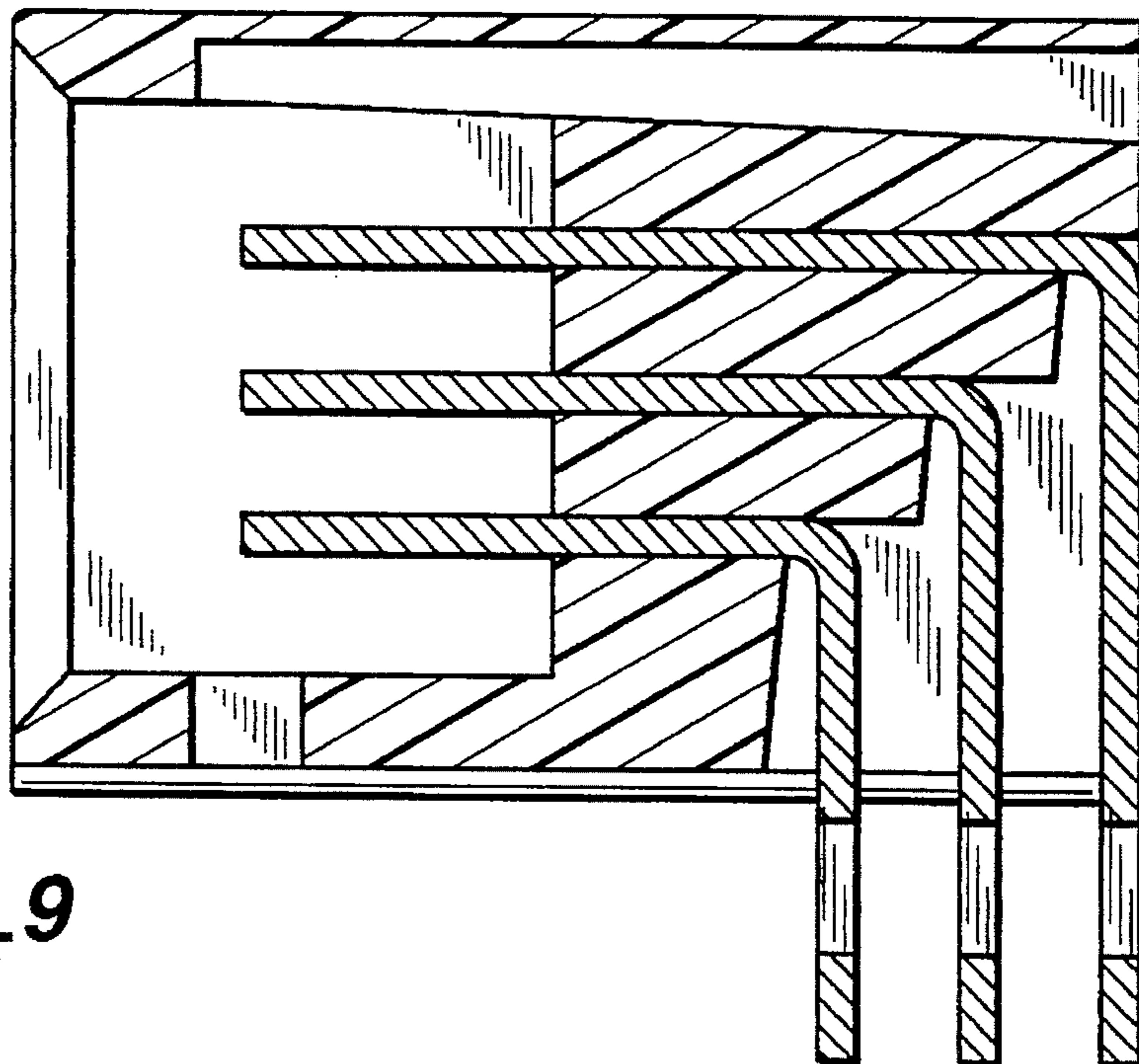


FIG. 9