



US00D366450S

United States Patent [19]

Rabito

[11] Patent Number: **Des. 366,450**

[45] Date of Patent: ****Jan. 23, 1996**

[54] **PLANTER**

D. 305,875 2/1990 Morritt D11/143

[75] Inventor: **Sergio Rabito**, Isola Vicentina, Italy

Primary Examiner—Alan P. Douglas

Assistant Examiner—Cathron B. Matta

[73] Assignee: **Euro 3 Plast Srl**, Ponte di Barbarano VI, Italy

Attorney, Agent, or Firm—Birch, Stewart, Kolasch & Birch

[**] Term: **14 Years**

[57] **CLAIM**

The ornamental design for a planter, as shown and described.

[21] Appl. No.: **4,648**

[22] Filed: **Feb. 10, 1993**

DESCRIPTION

[52] **U.S. Cl.** **D11/155**

FIG. 1 is a left side elevation of the planter, the right side view being a mirror image thereof;

[58] **Field of Search** D11/155, 156,
D11/143; D6/562; 47/66

FIG. 2 is a top perspective view of a flower vase; and,

FIG. 3 is a front elevation of the planter, the rear elevation being a mirror image thereof.

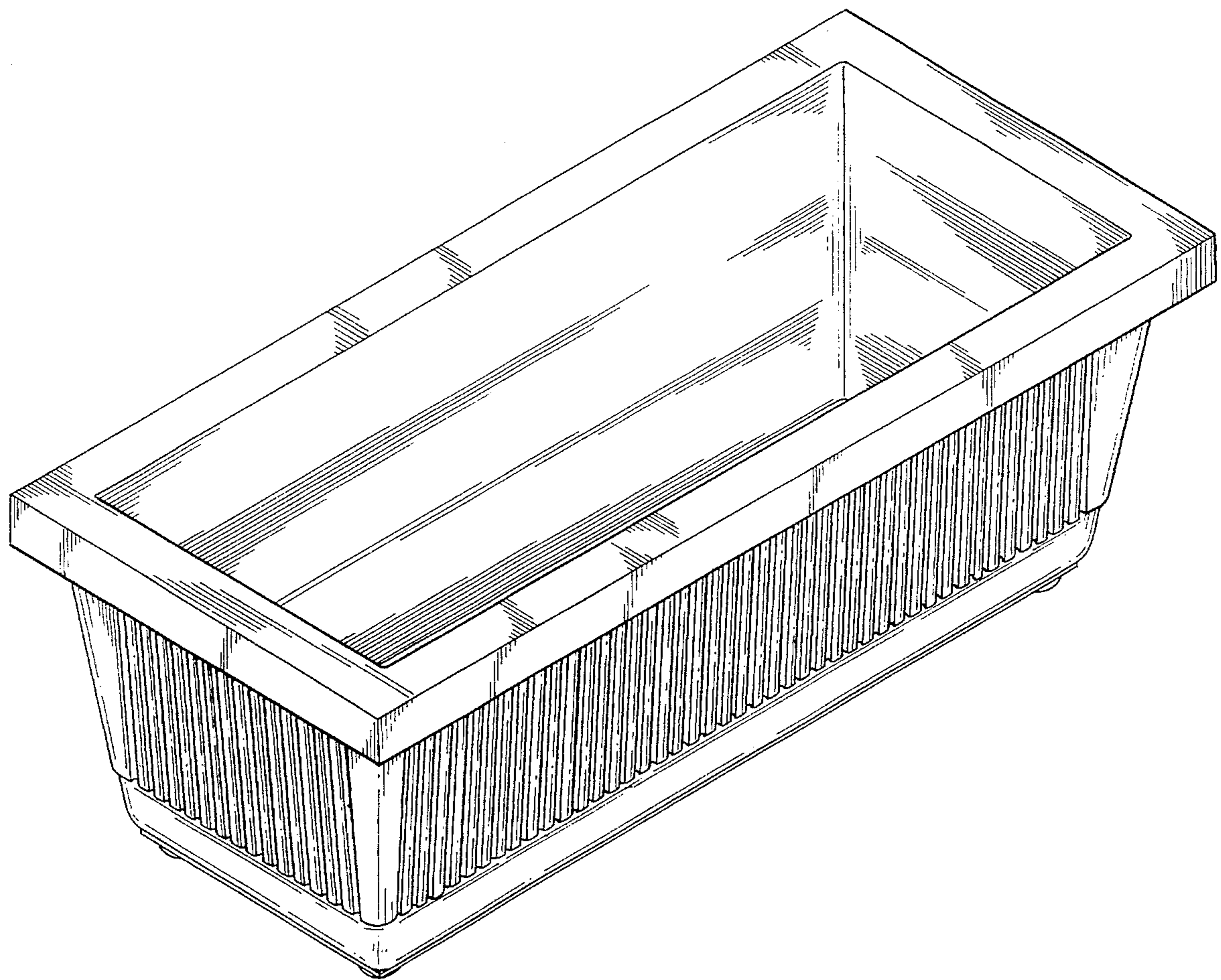
[56] **References Cited**

The bottom surface of the flower vase is flat and plain, except for the four semi-spherical feet.

U.S. PATENT DOCUMENTS

- D. 274,967 8/1984 Taylor D6/510
- D. 275,918 8/1984 Taylor D6/510
- D. 280,944 10/1985 Herbert D34/40

1 Claim, 2 Drawing Sheets



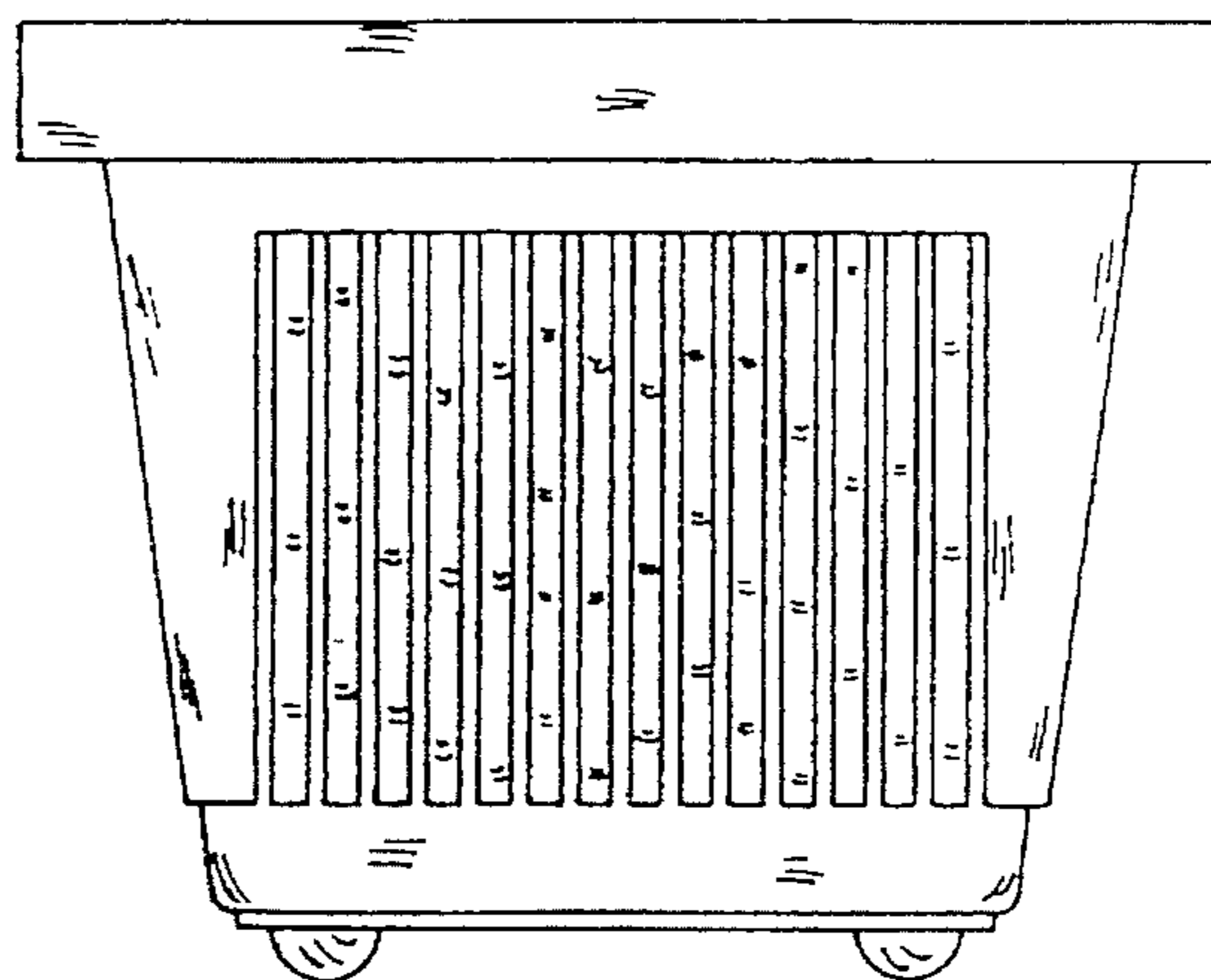


FIG. 3

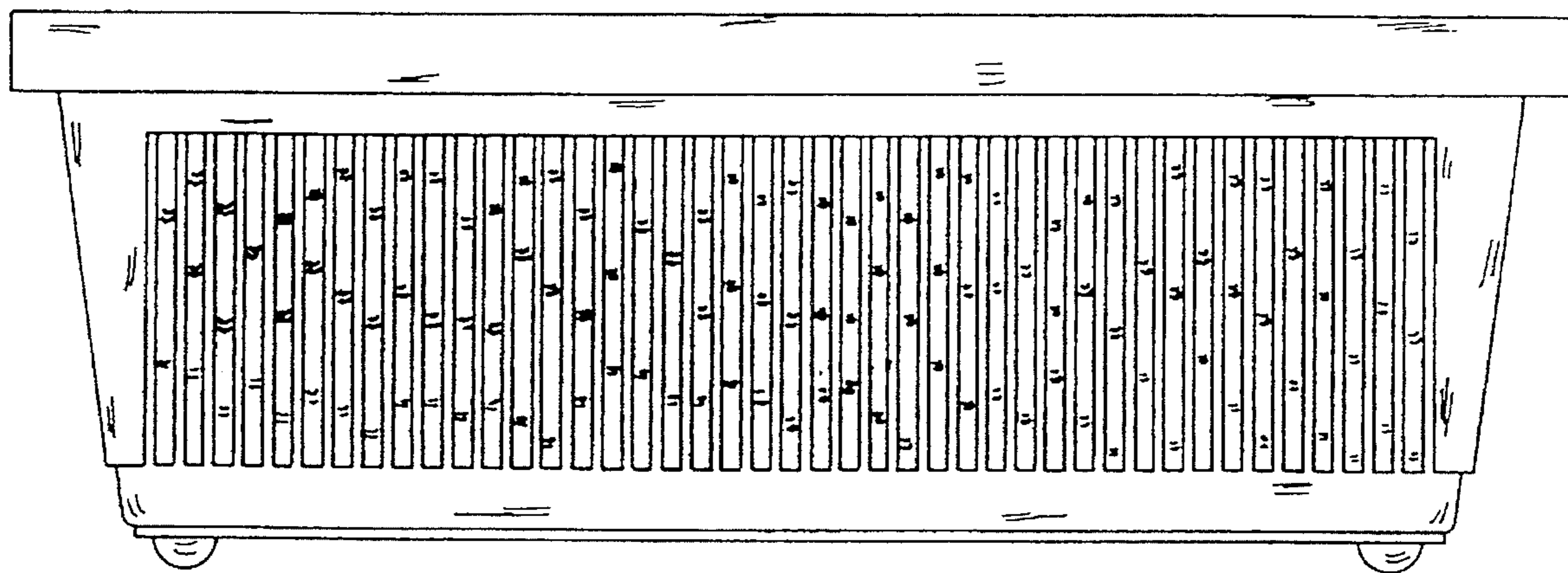


FIG. 1

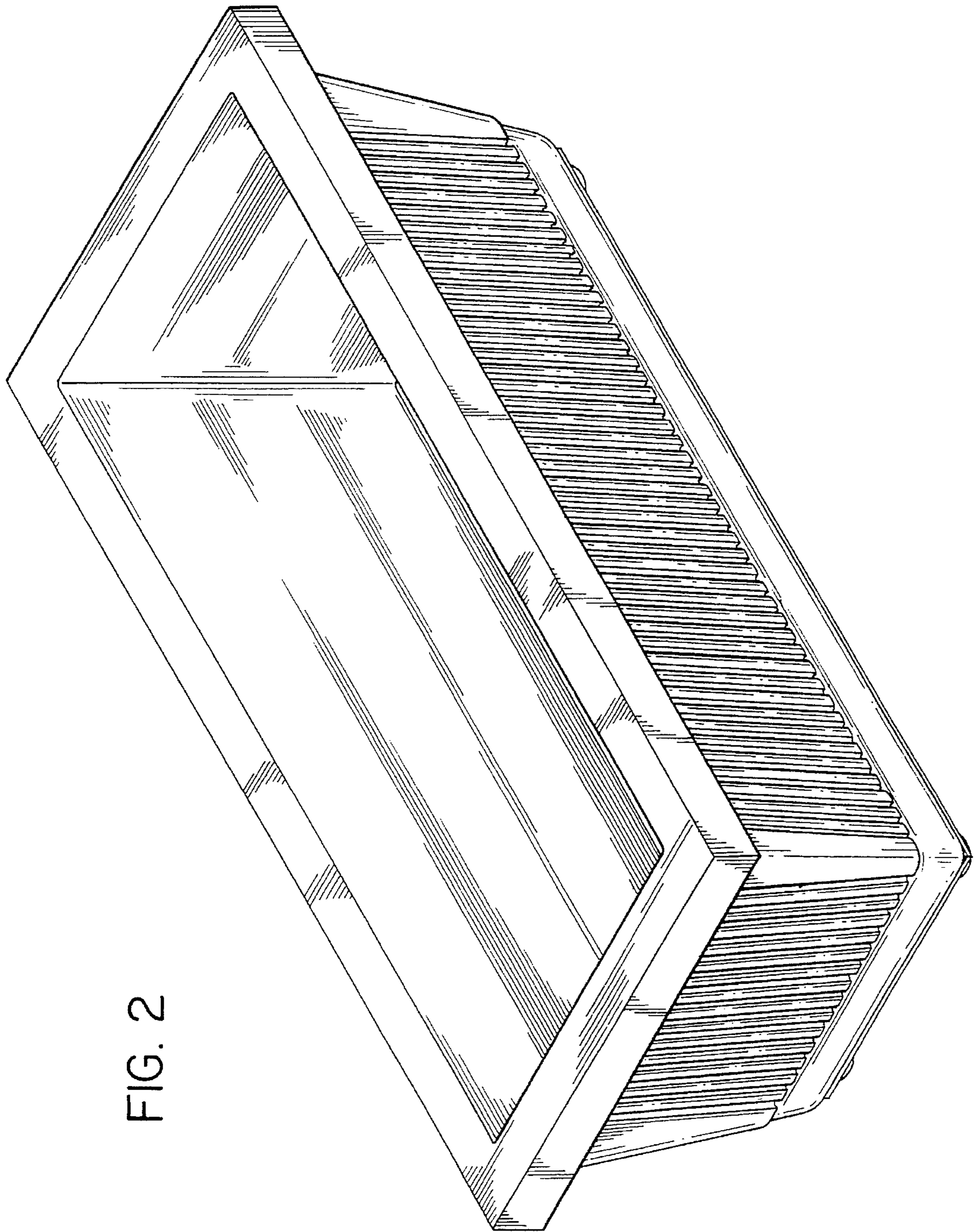


FIG. 2