



US00D366448S

# United States Patent [19]

[11] Patent Number: **Des. 366,448**

Ney et al.

[45] Date of Patent: **\*\*Jan. 23, 1996**

[54] **COVER FOR VEHICLE STORAGE COMPARTMENT**

5,188,414	2/1993	Burnham et al. ....	296/37.6
5,303,969	4/1994	Simmacher .....	296/37.6
5,316,358	5/1994	Payne et al. ....	296/24.1

[75] Inventors: **Clyde W. Ney**, Waterford; **Phillip E. Payne**, Northville, both of Mich.

### OTHER PUBLICATIONS

[73] Assignee: **Chrysler Corporation**, Highland Park, Mich.

J C Whitney & Co Catalog, No. 515J, ©1990, p. 53, the corrosion resistant storage box.

[\*\*] Term: **14 Years**

*Primary Examiner*—A. Hugo Word  
*Assistant Examiner*—M. Brown  
*Attorney, Agent, or Firm*—Mark P. Calcaterra

[21] Appl. No.: **18,868**

### [57] CLAIM

[22] Filed: **Feb. 16, 1994**

The ornamental design for a cover for vehicle storage compartment, as shown and described.

[52] U.S. Cl. .... **D12/423**

[58] Field of Search ..... D12/423; 296/24.1, 296/37.1, 37.6; 224/42.42, 42.45 R, 273, 279

### DESCRIPTION

### [56] References Cited

#### U.S. PATENT DOCUMENTS

2,616,754	11/1952	Stahl .....	296/37.6
2,978,153	4/1961	Brindle .....	296/37.6
3,844,158	10/1974	Mercer .....	296/37.6
4,288,011	9/1981	Grossman .....	296/37.6
4,451,075	5/1984	Canfield .....	296/37.6
4,728,017	3/1988	Mullican .....	224/42.42
4,750,773	6/1988	Chapline et al. ....	296/37.6
4,844,305	7/1989	McKneely .....	224/42.42
4,892,345	1/1990	Rachael, III .....	296/24.1
4,892,346	1/1990	Berlin .....	296/37.6
4,917,430	4/1990	Lawrence .....	296/37.6
4,971,092	11/1990	Parry et al. ....	137/351
4,993,771	2/1991	Ingerson et al. ....	296/37.6
5,088,636	2/1992	Barajas .....	224/281
5,123,691	6/1992	Ginn .....	296/37.6
5,169,200	12/1992	Pugh .....	296/37.6

FIG. 1 is a side view of a cover for vehicle storage compartment constructed exterior surface constructed in accordance to the teachings of the present shown in a closed position and illustrated on a pickup truck between the bed and the cab of the pickup truck;

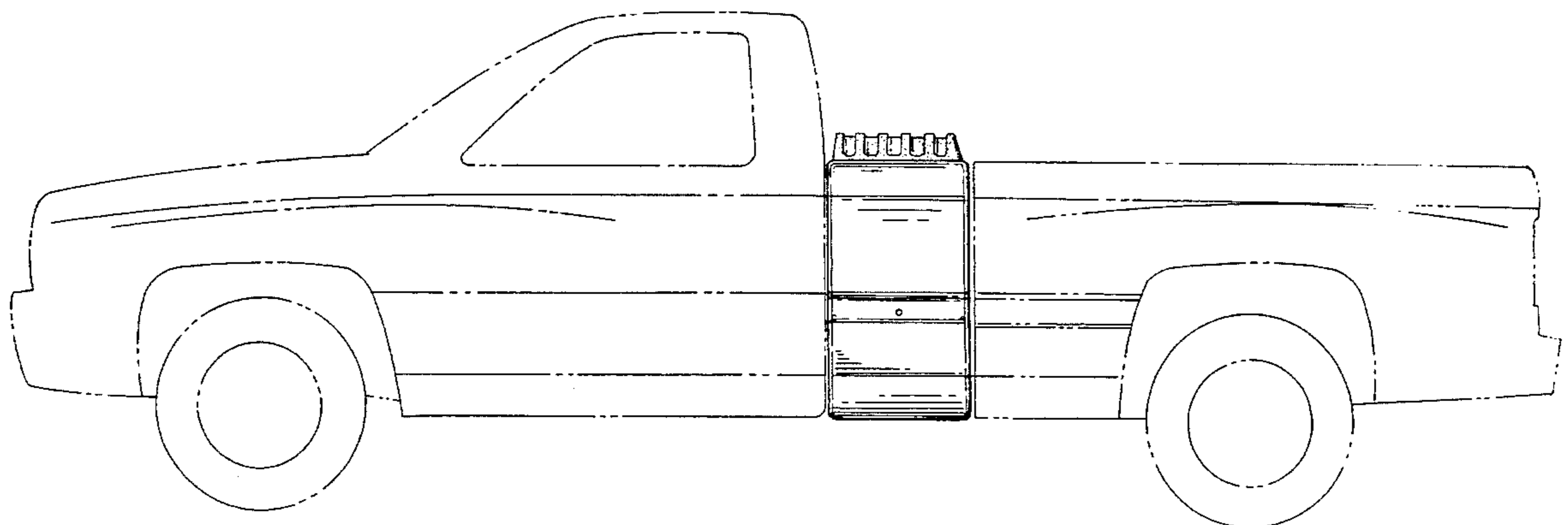
FIG. 2 is an enlarged rear and side perspective view of the vehicle storage compartment exterior surface shown in FIG. 1, it being understood that the front side is a mirror image of the rear side;

FIG. 3 is an enlarged side view of the vehicle storage compartment exterior surface shown in FIG. 1; and,

FIG. 4 is a greatly enlarged top view of the vehicle storage compartment exterior surface in FIG. 1.

The broken lines shown in all views of the drawing are for illustrative purposes only and form no part of the claimed design.

**1 Claim, 3 Drawing Sheets**



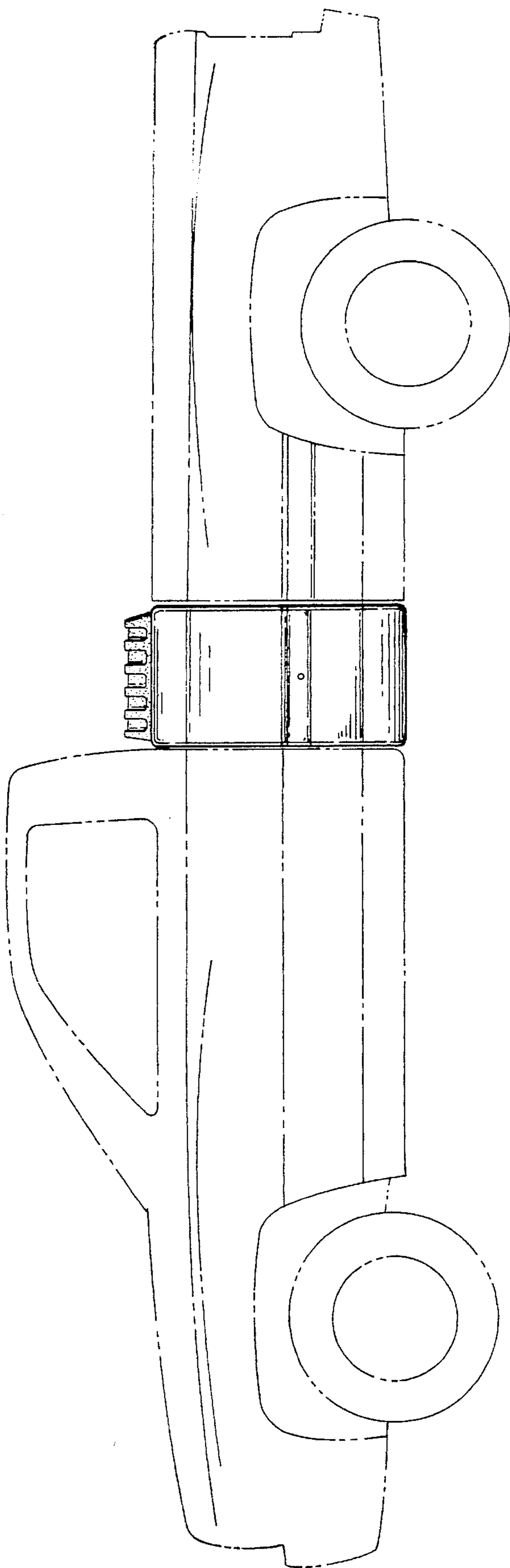


FIG-1

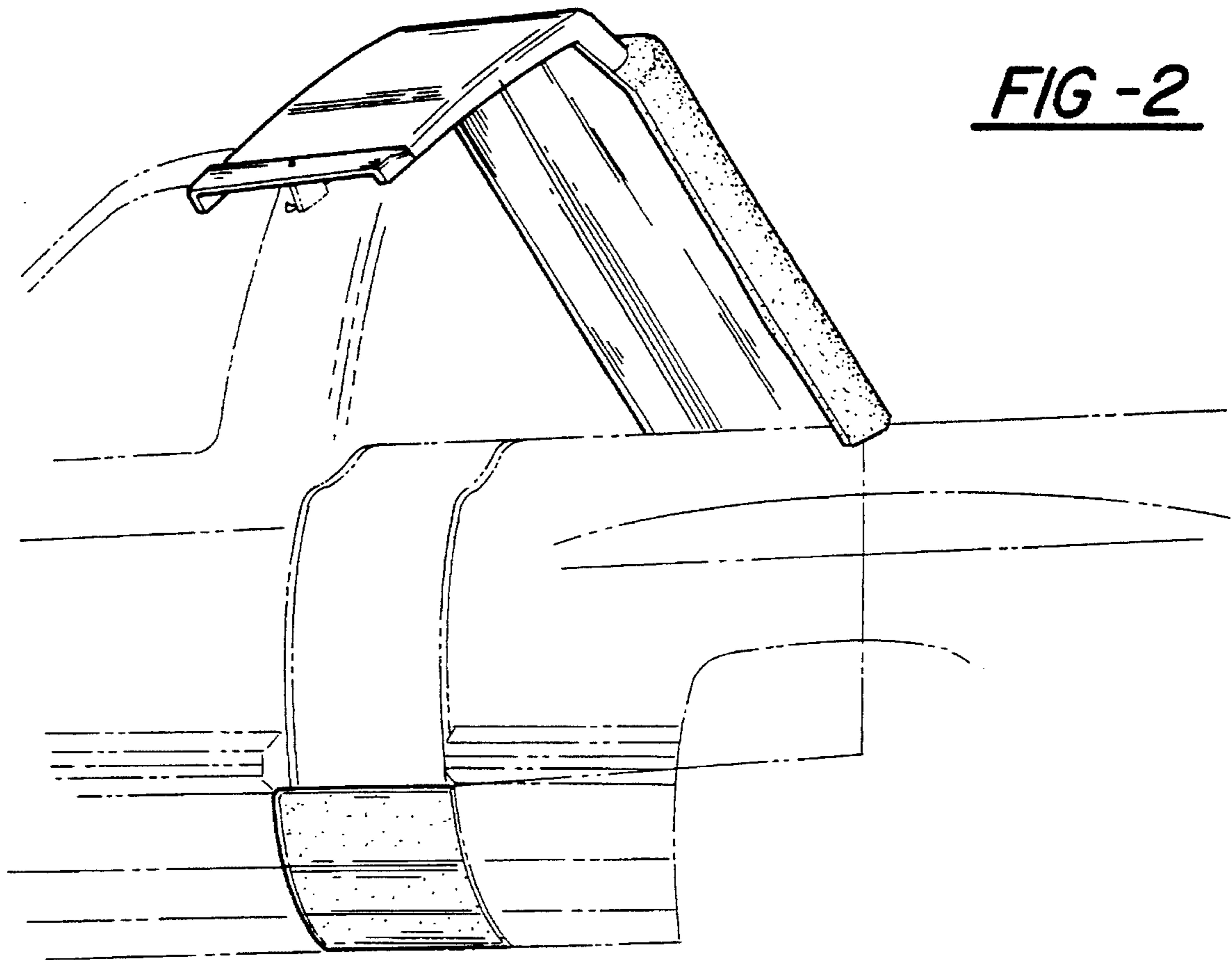


FIG - 2

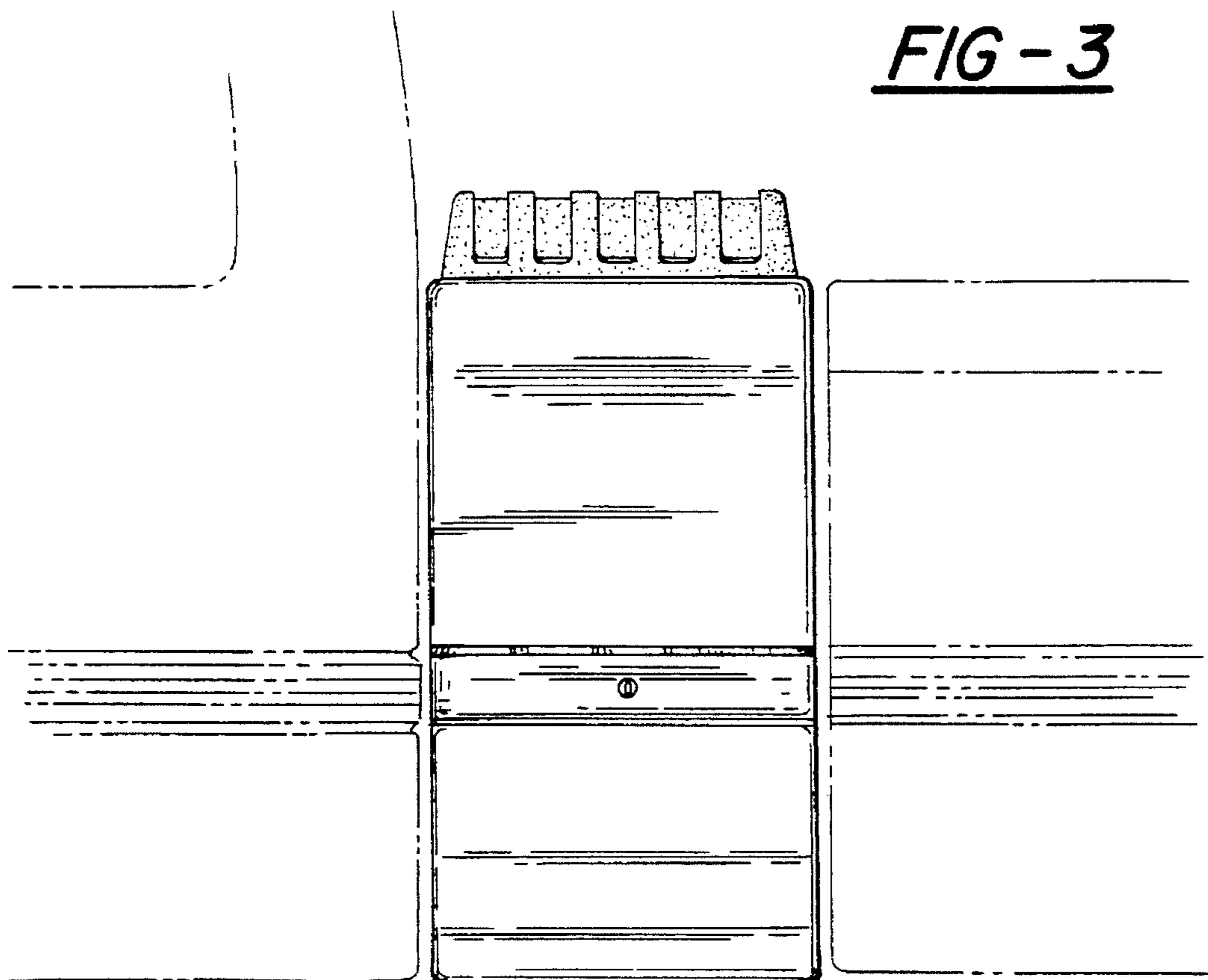


FIG - 3

FIG-4

