



US00D366445S

United States Patent [19]

Seggern

[11] Patent Number: **Des. 366,445**

[45] Date of Patent: ****Jan. 23, 1996**

[54] **FISHING BOAT OUTRIGGER BRACE**

[76] Inventor: **Kurt V. Seggern**, 2534 Arlington St., Sarasota, Fla. 34239

[**] Term: **14 Years**

[21] Appl. No.: **32,031**

[22] Filed: **Dec. 12, 1994**

[52] U.S. Cl. **D12/317; D12/303**

[58] Field of Search D12/300, 303, D12/304, 317, 318; 114/102, 108, 109, 111

[56] **References Cited**

U.S. PATENT DOCUMENTS

4,788,924	12/1988	Hamel	114/102
4,978,140	12/1990	Babson	114/102
5,003,903	4/1991	Olsen	114/102

FOREIGN PATENT DOCUMENTS

2457212	1/1981	France	114/102
---------	--------	--------------	---------

Primary Examiner—Kay H. Chin
Attorney, Agent, or Firm—Harry I. Leon

[57] **CLAIM**

The ornamental design for a fishing boat outrigger brace, as shown and described.

DESCRIPTION

FIG. 1 is a front perspective view of a fishing boat outrigger brace showing my new design, the broken lines are for illustrative purposes only and form no part of the claimed design;

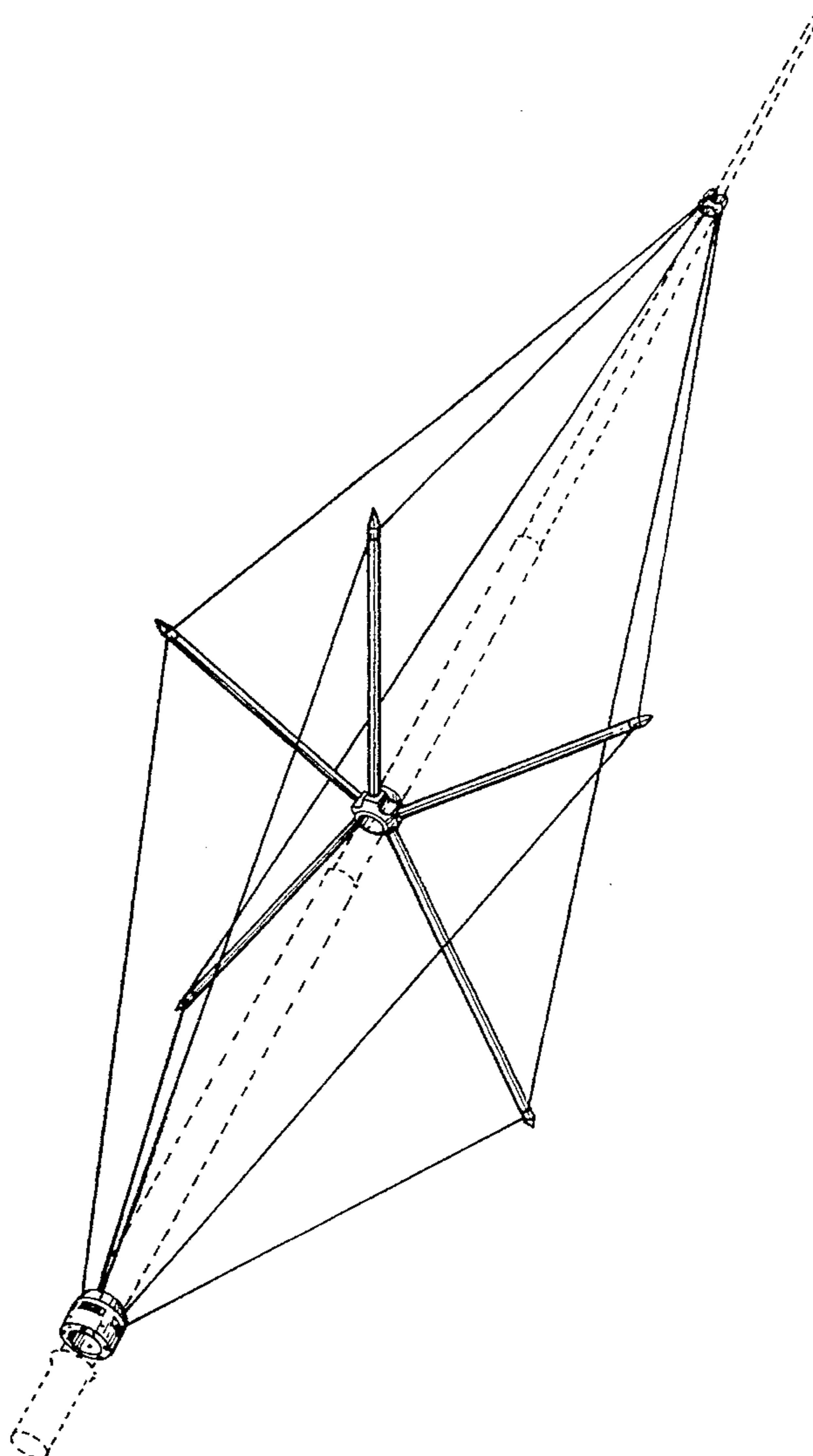
FIG. 2 is a bottom perspective view thereof;

FIG. 3 is a top plan view thereof;

FIG. 4 is an enlarged perspective view of the brace wire mount and tightener thereof; and,

FIG. 5 is a front perspective view thereof showing two braces mounted on a fishing boat outrigger.

1 Claim, 3 Drawing Sheets



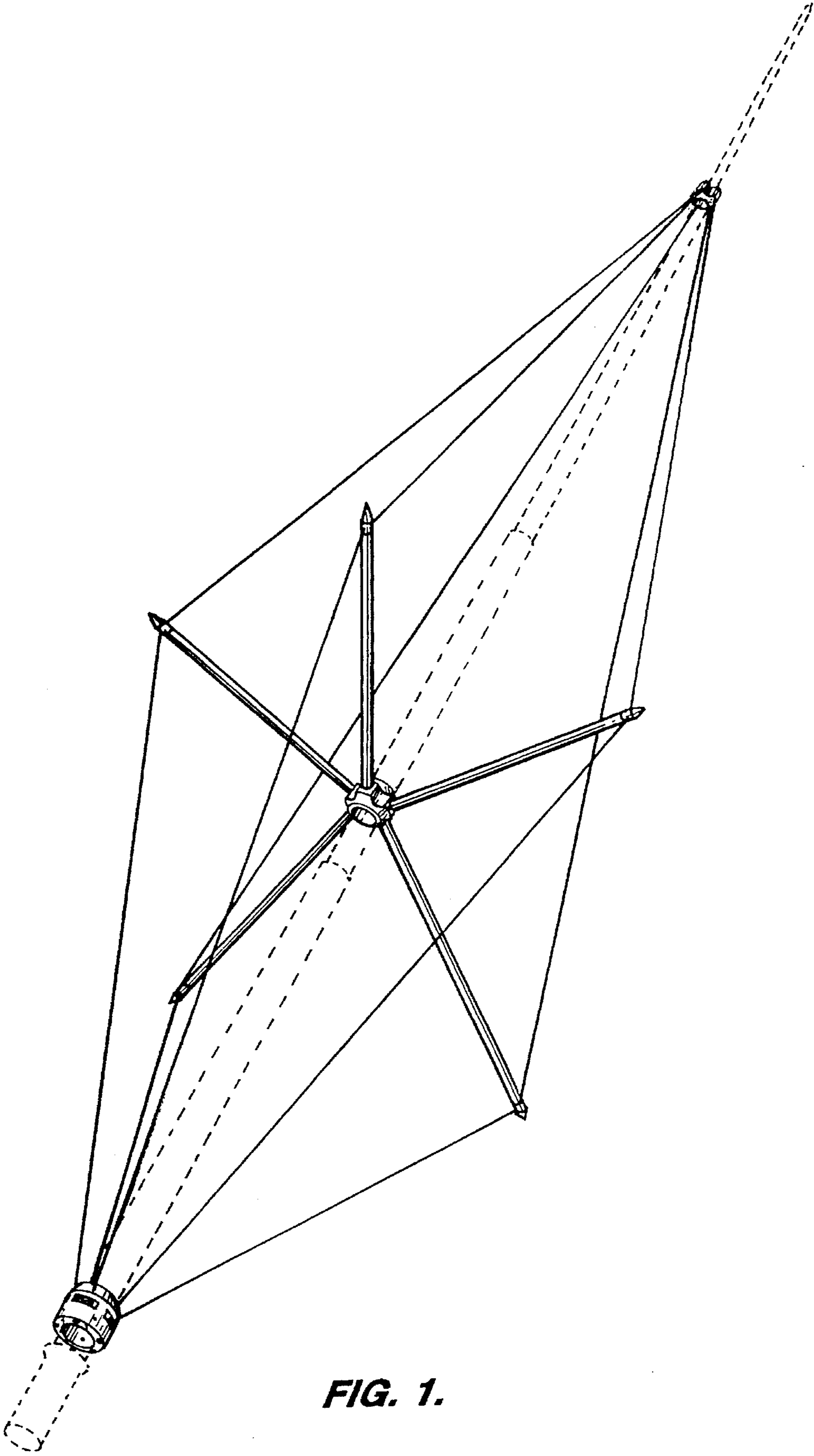
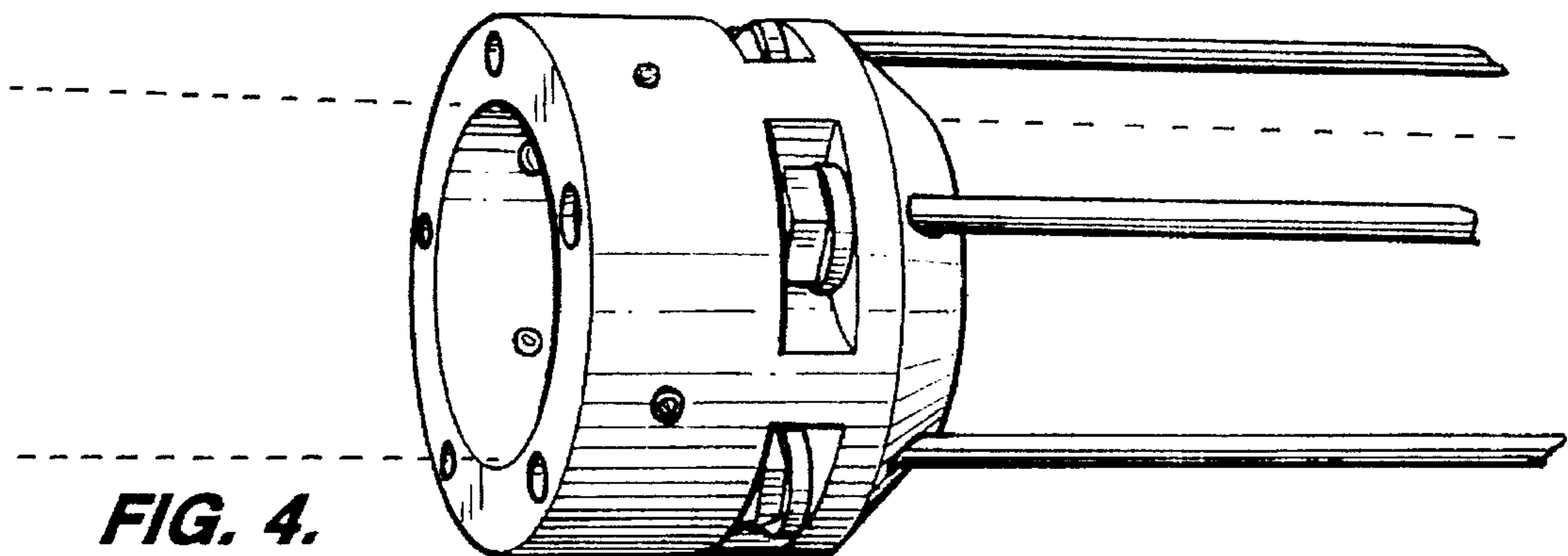
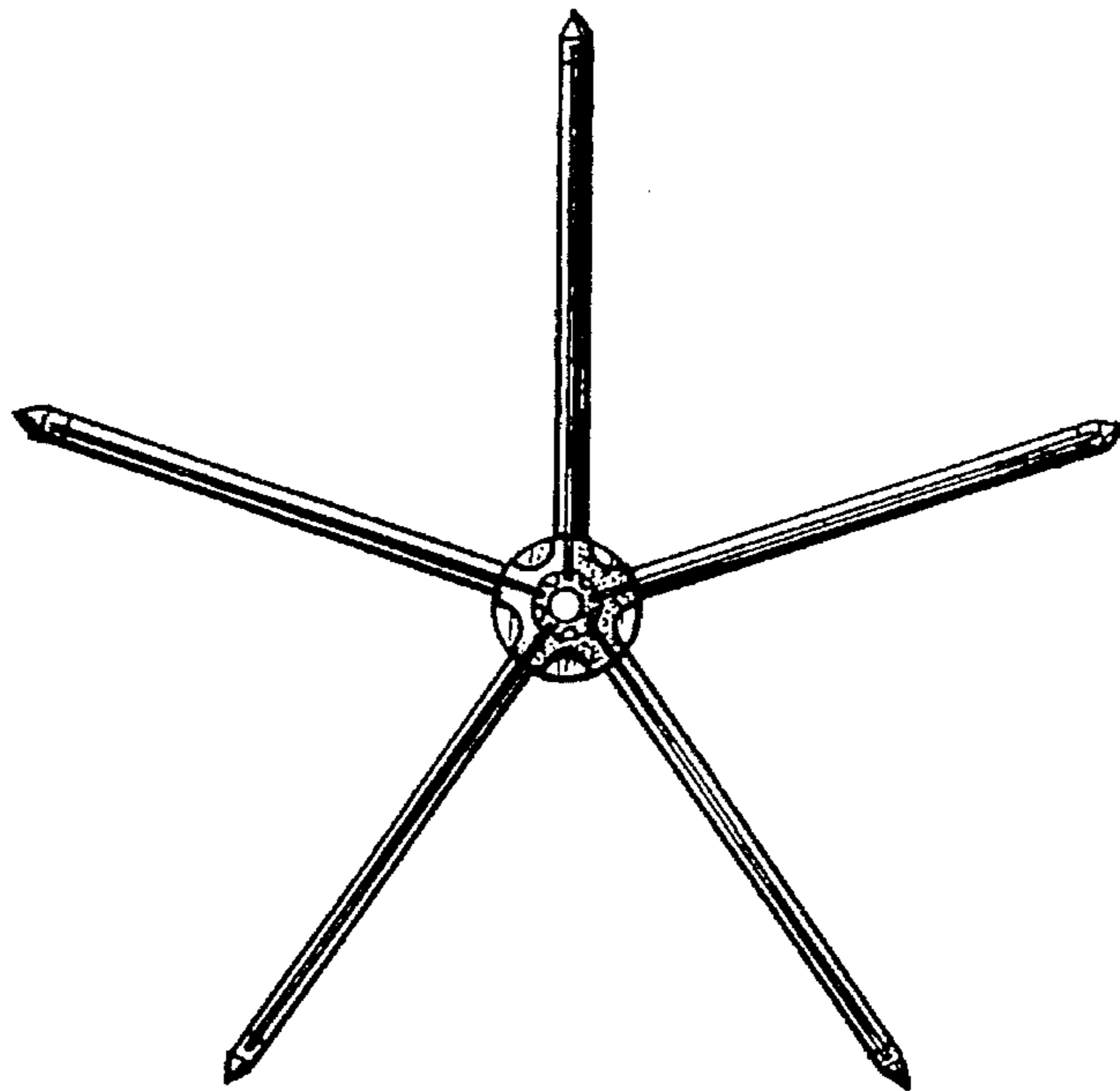
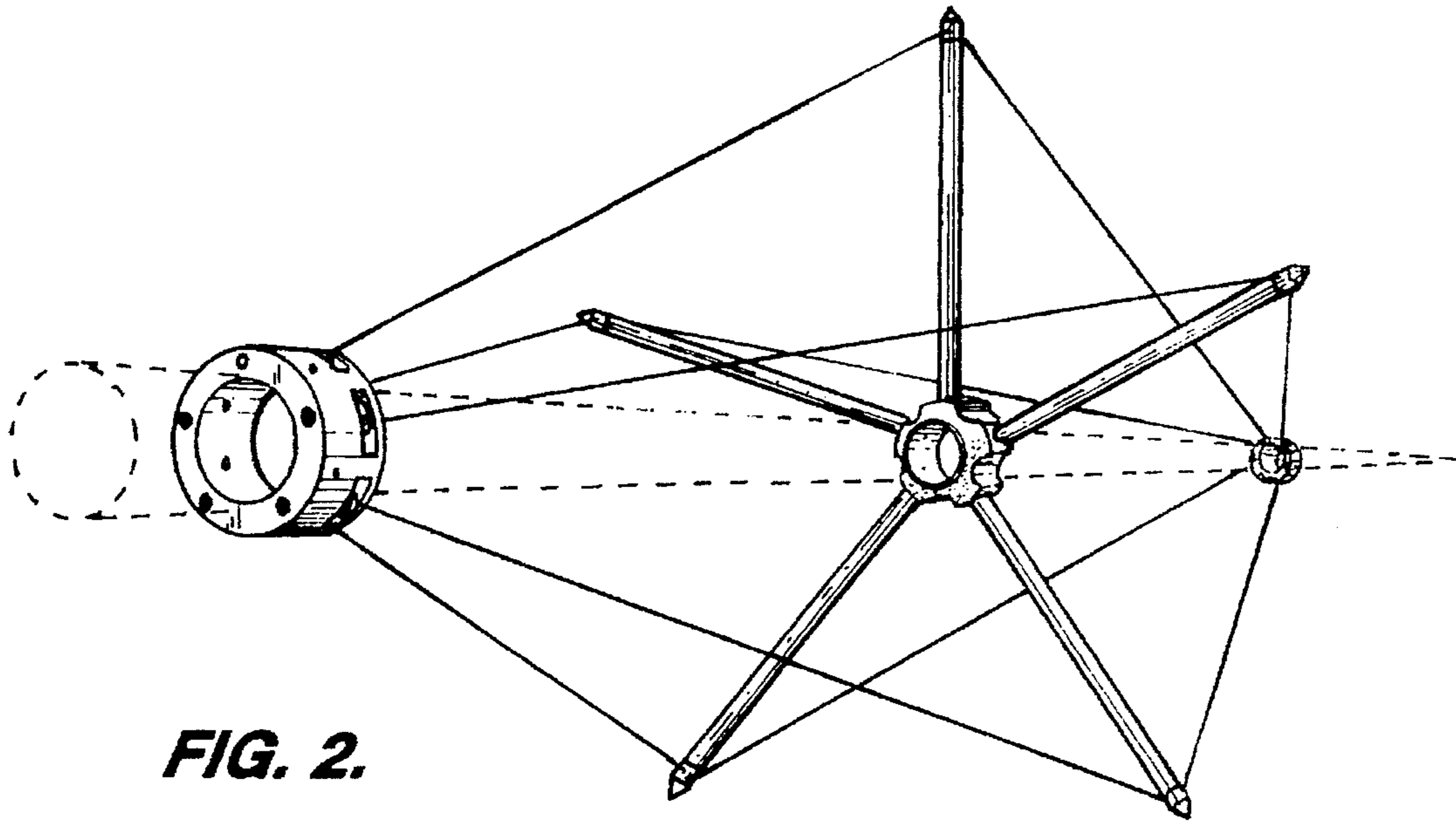


FIG. 1.



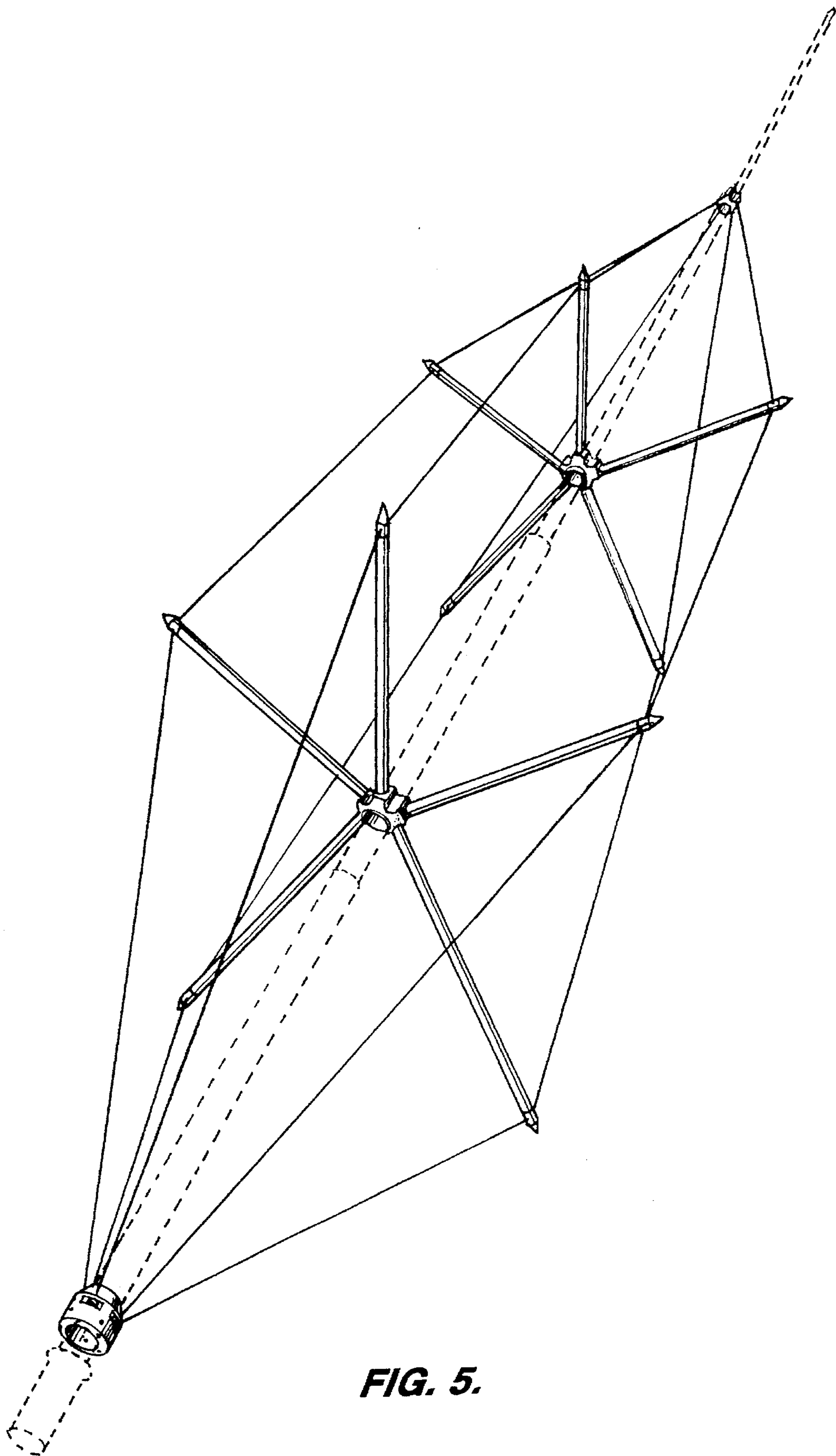


FIG. 5.