



US00D366442S

United States Patent [19]
Marchisset

[11] **Patent Number: Des. 366,442**

[45] **Date of Patent: **Jan. 23, 1996**

[54] **SPINNER FOR WHEELS**

[76] Inventor: **Raymond Marchisset**, 12260 Marlowe,
Tustin, Calif. 92680

[**] Term: **14 Years**

[21] Appl. No.: **24,588**

[22] Filed: **Jun. 16, 1994**

[52] U.S. Cl. **D12/213**

[58] Field of Search D12/204, 213;
301/37.1, 37.26, 37.42, 108.1, 108.5

[56] **References Cited**

U.S. PATENT DOCUMENTS

3,220,776 11/1965 Golden 301/108.1

OTHER PUBLICATIONS

National Catalog No. 66, Published Nov. 1965, p. 5, Spinner
No. 722 K-169 and K-165, bottom of page.
Custom Wheel & Tire Style Guide Supplement to Tire

Review, May 1992, p. 45, Spinner on Tru-Spoke
Tru-Cruiser Wheel, bottom of page.

Primary Examiner—James M. Gandy

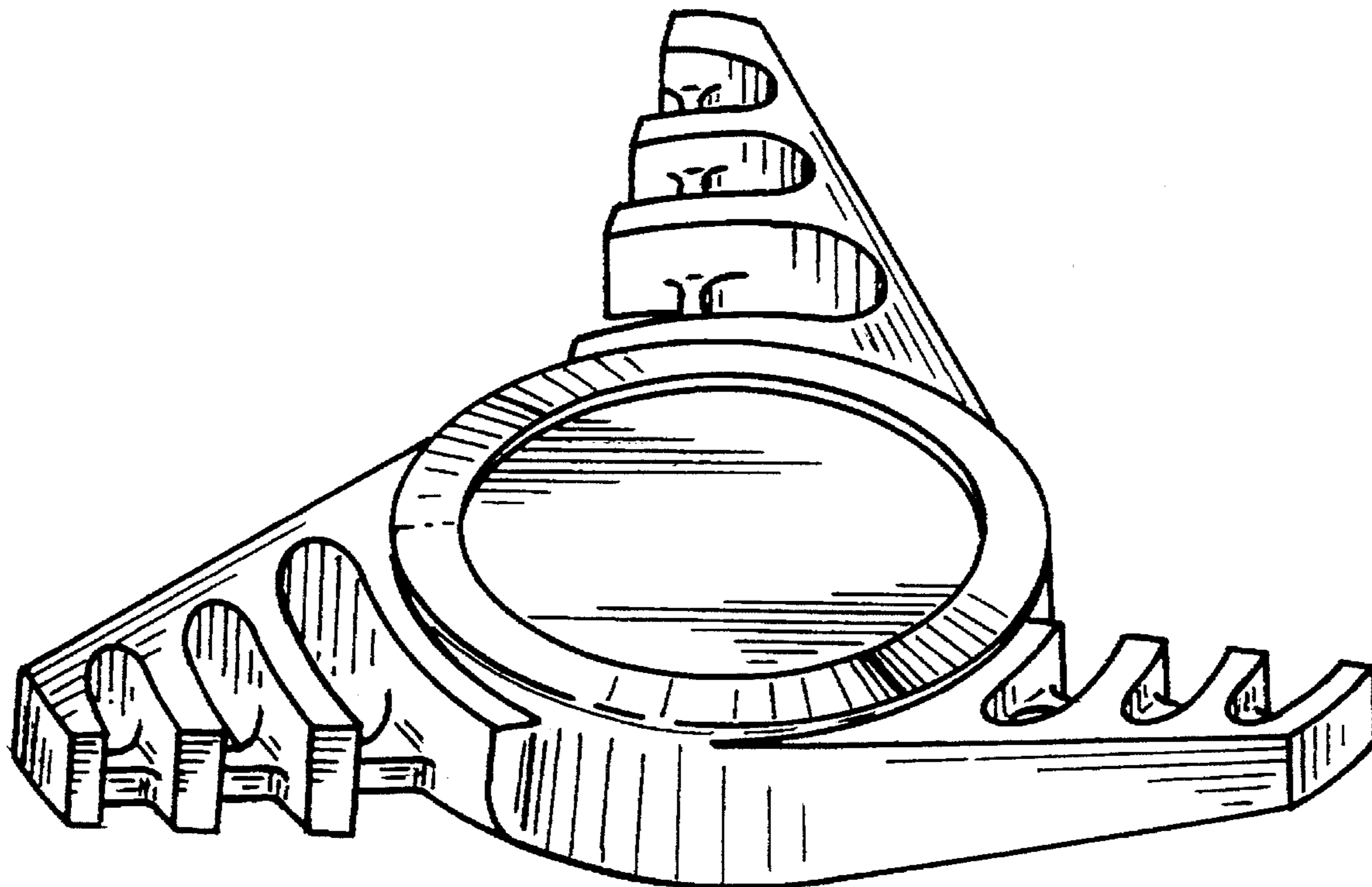
[57] **CLAIM** -

The ornamental design for a spinner for wheels, as shown
and described.

DESCRIPTION

FIG. 1 is a top, front perspective view of a spinner for wheels
showing my new design, in a three wing embodiment;
FIG. 2 is a right side elevational view thereof;
FIG. 3 is a top plan view thereof;
FIG. 4 is a top, front perspective view of a spinner for wheels
showing my new design, in a two wing embodiment;
FIG. 5 is a right side elevational view thereof; and,
FIG. 6 is a top plan view thereof.
The bottom of the two embodiments of the spinner for
wheels is understood to be plain and unornamented.

1 Claim, 1 Drawing Sheet



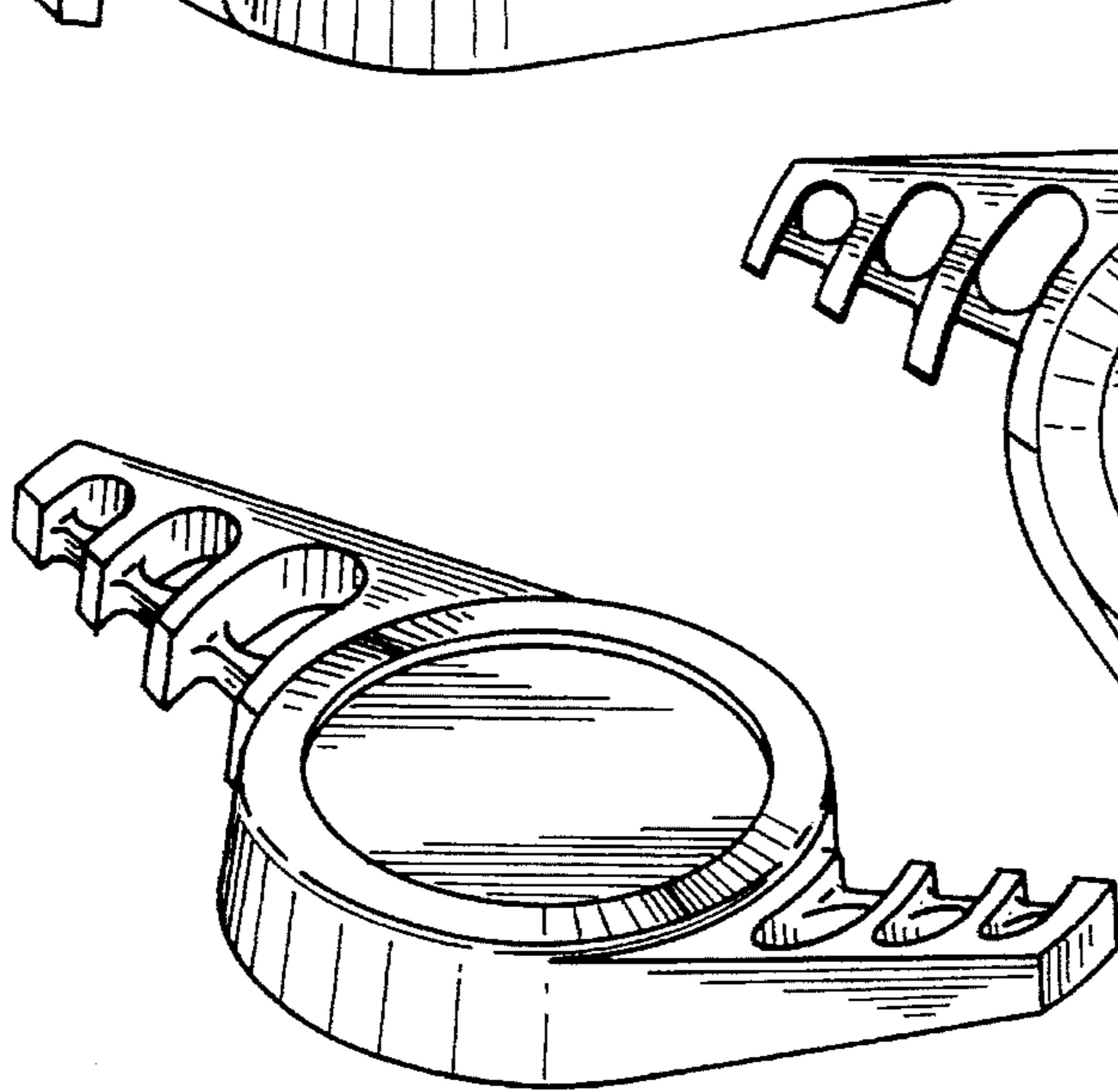
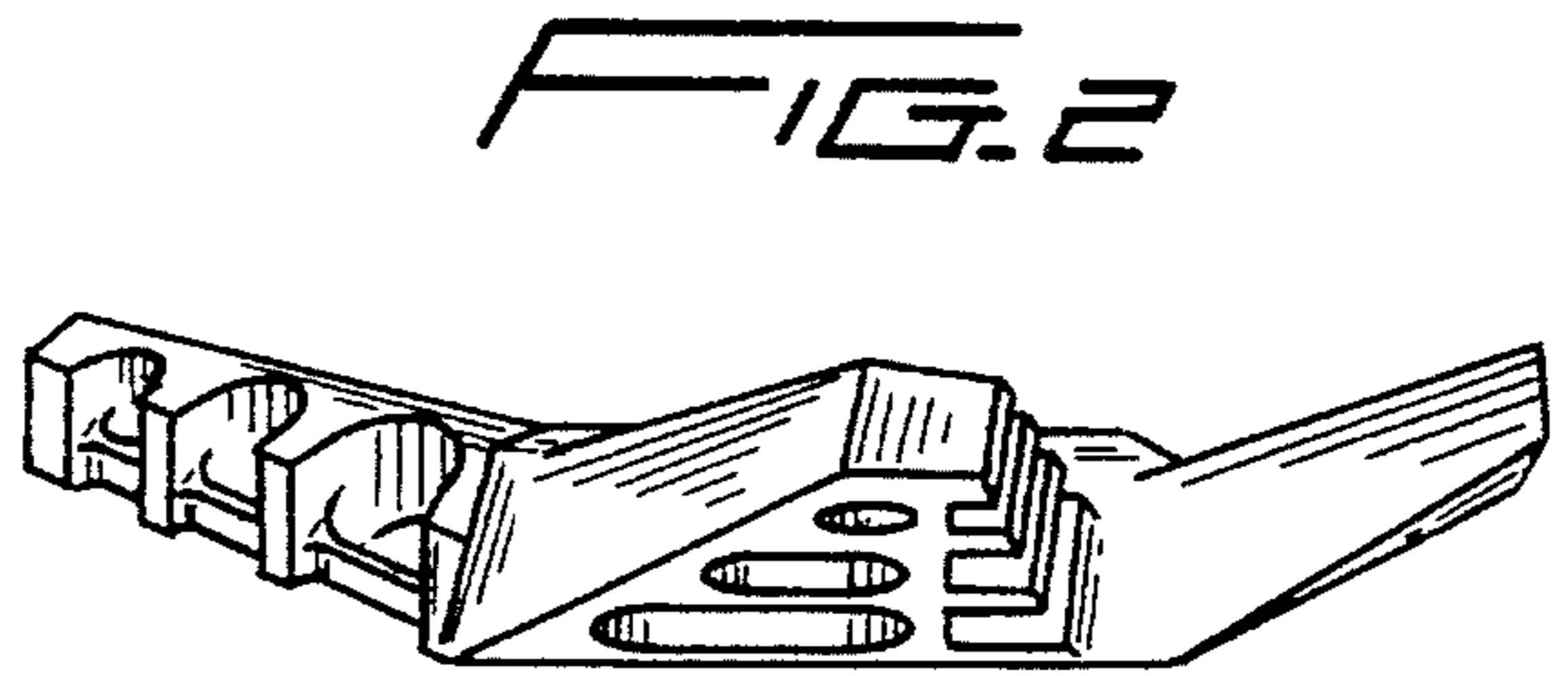
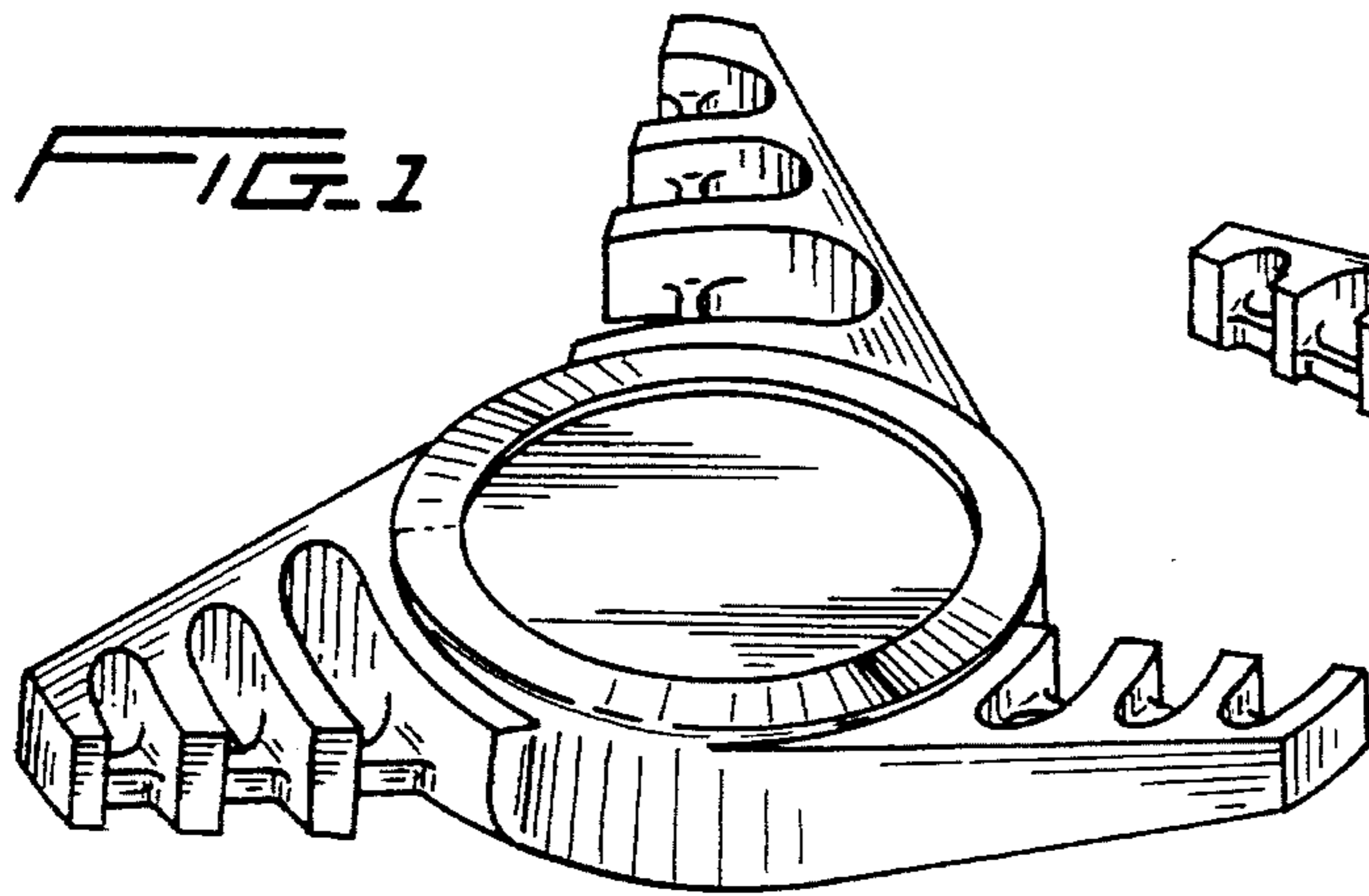


FIG. 4

