



US00D366440S

**United States Patent** [19]  
**Tong**

[11] **Patent Number: Des. 366,440**  
[45] **Date of Patent: \*\*Jan. 23, 1996**

[54] **VISOR MIRROR WITH DAY AND DATE INDICATORS**

[76] Inventor: **Wing K. Tong**, Chi Wah Ind.Bldg. 1-7  
Kin Hon Str., Kwai Chung, Hong Kong

[\*\*] Term: **14 Years**

[21] Appl. No.: **9,521**

[22] Filed: **Jun. 16, 1993**

[30] **Foreign Application Priority Data**

May 10, 1993 [GB] United Kingdom ..... 2030938

[52] **U.S. Cl.** ..... **D12/191**

[58] **Field of Search** ..... D12/191, 187;  
296/97.1, 97.4, 97.6, 97.8, 97.11, 97.12,  
97.13; 362/135-137, 144, 61; D19/20

[56] **References Cited**

**U.S. PATENT DOCUMENTS**

D. 164,834 10/1951 Woofter ..... D19/20  
D. 286,036 10/1986 Langensrepen ..... D12/187

D. 304,712 11/1989 Cheung ..... D12/191  
D. 317,340 6/1991 Dowd et al. .... D12/191  
D. 339,097 9/1993 Nieskes ..... D12/191  
4,227,242 10/1980 Marcus ..... 362/61

*Primary Examiner*—A. Hugo Word  
*Assistant Examiner*—M. Brown  
*Attorney, Agent, or Firm*—Wenderoth, Lind & Ponack

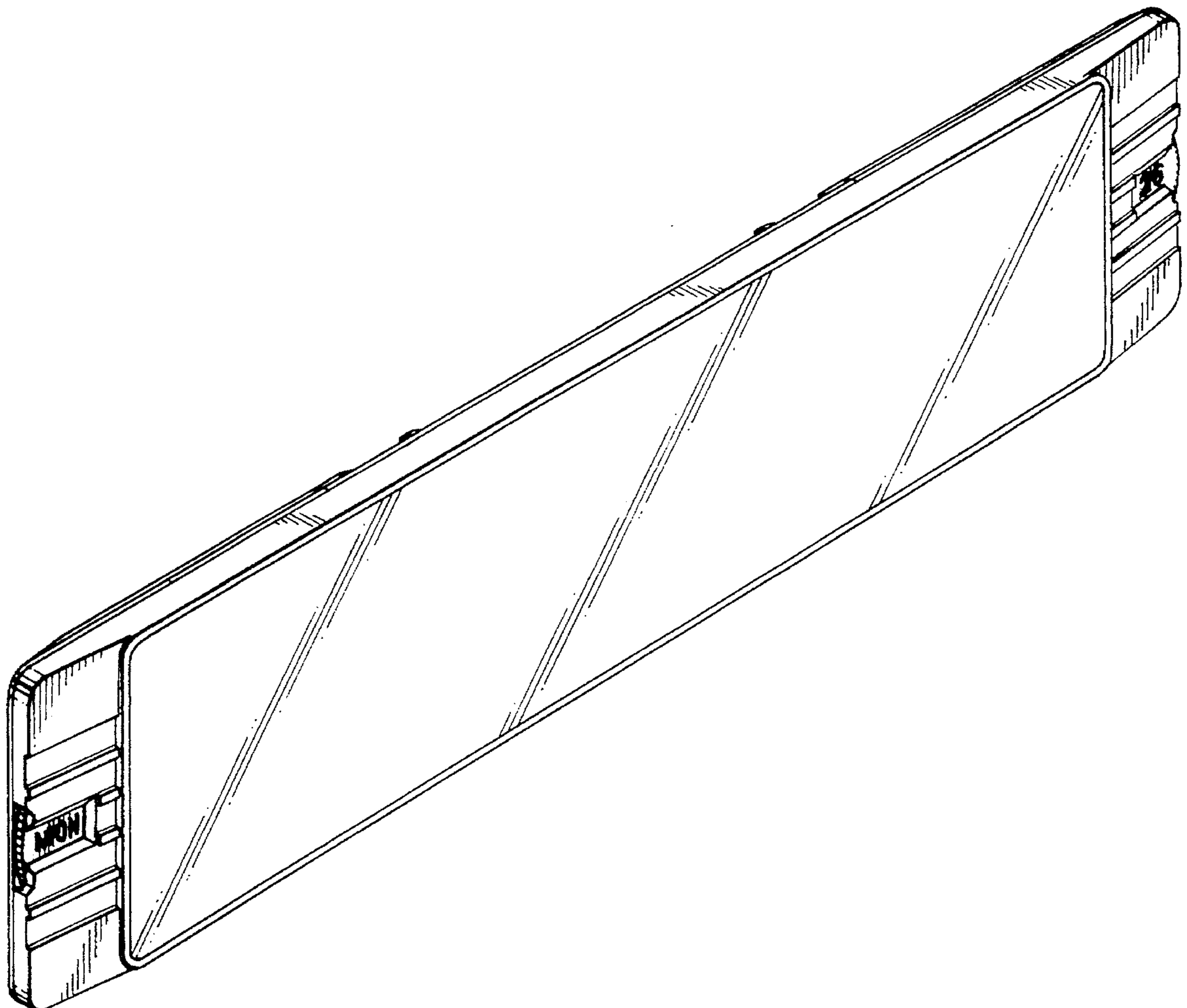
[57] **CLAIM**

The ornamental design for a visor mirror with day and date indicators, as shown.

**DESCRIPTION**

FIG. 1 is a top, front and end perspective view of a visor mirror with day and date indicators showing my new design; FIG. 2 is a view of the article as seen from the other end; FIG. 3 is a rear view of the article; FIG. 4 is a bottom view of the article; and, FIG. 5 is a perspective view of the article as seen from the rear.

**1 Claim, 3 Drawing Sheets**



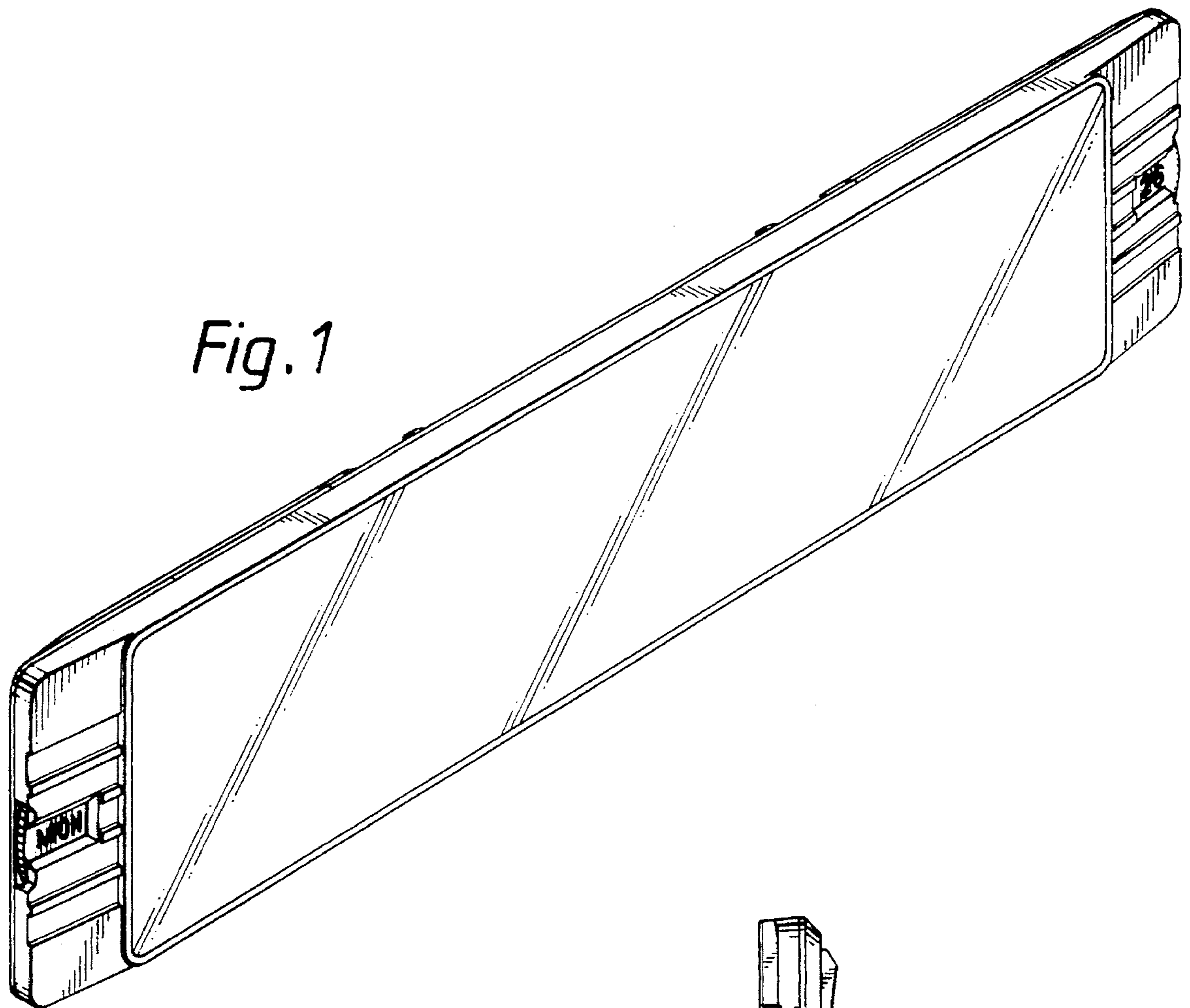
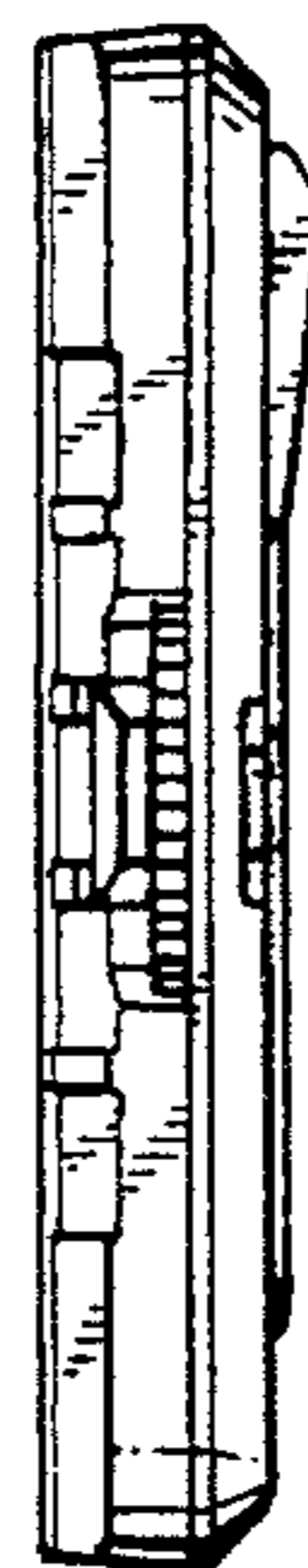


Fig. 2



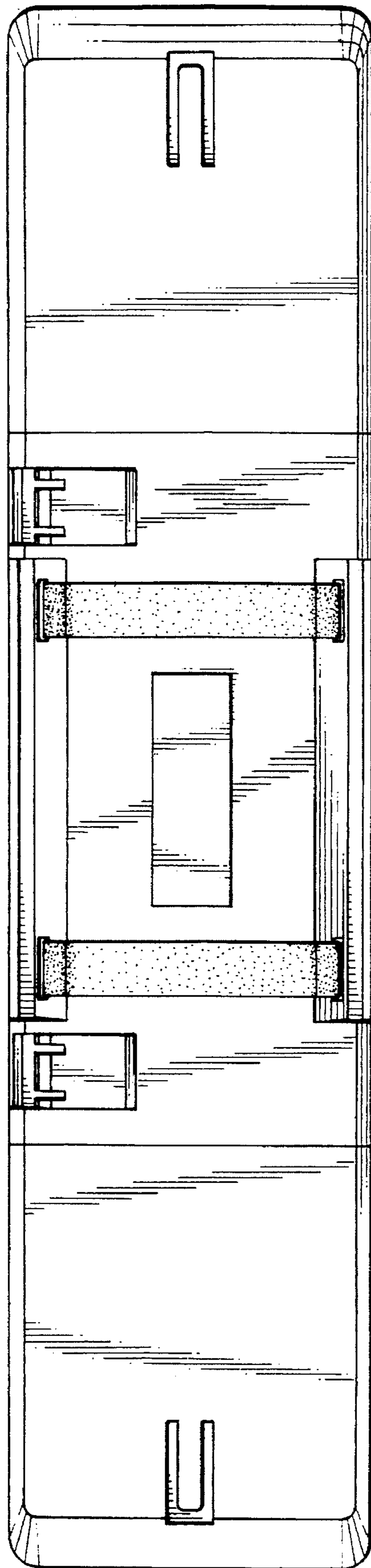


Fig. 3

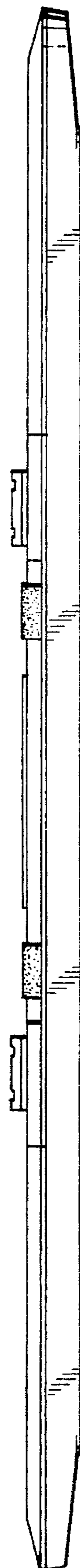


Fig. 4

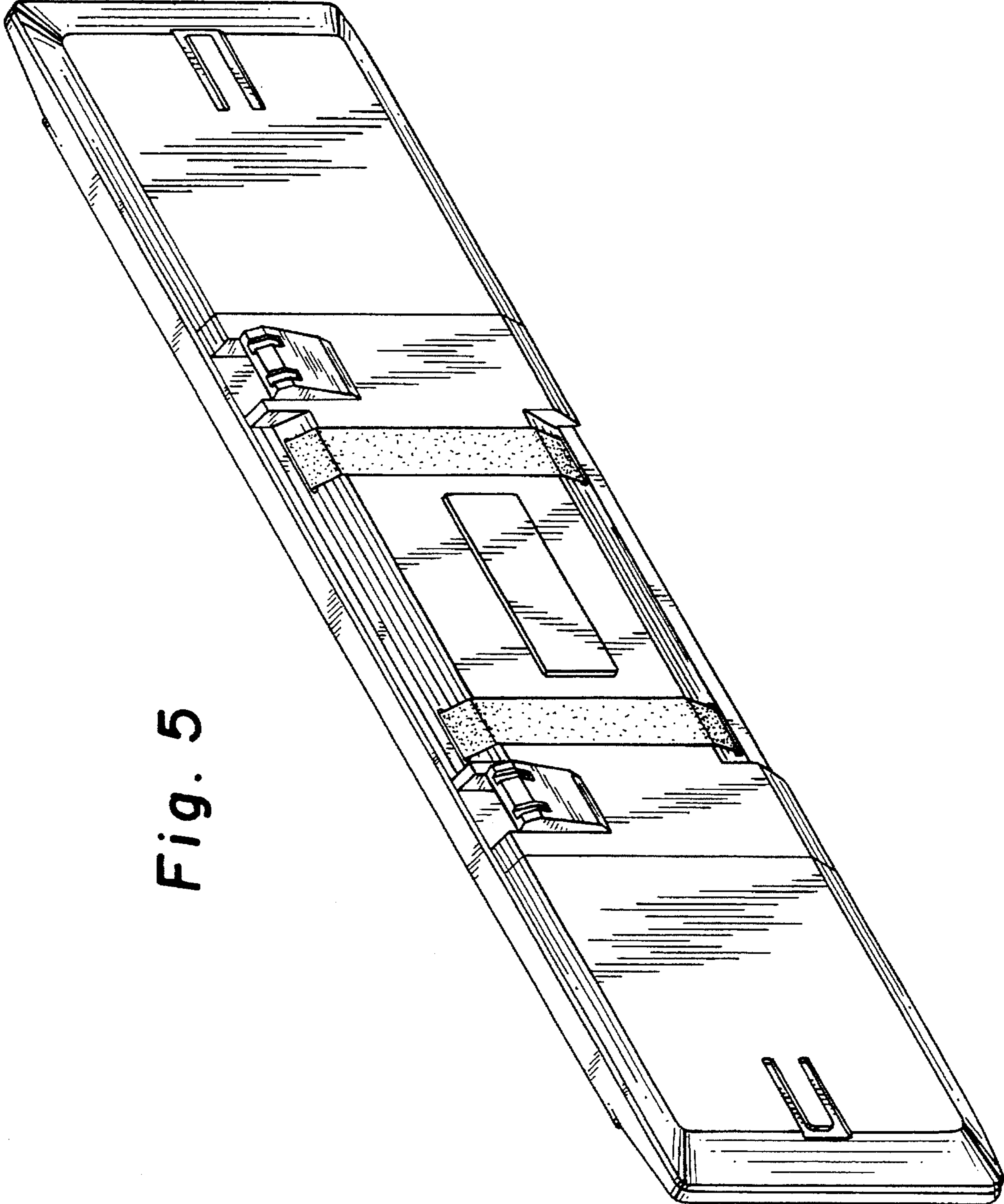


Fig. 5