



US00D366435S

United States Patent [19]

[11] Patent Number: **Des. 366,435**

Malcolm

[45] Date of Patent: ****Jan. 23, 1996**

[54] **SIGHT GLASS GAUGE FOR FILLING STORAGE TANKS**

[76] Inventor: **Keith Malcolm**, P.O. Box 131, Franklin, N.H. 03235

[**] Term: **14 Years**

[21] Appl. No.: **37,035**

[22] Filed: **Apr. 3, 1995**

[52] U.S. Cl. **D10/96; D10/101**

[58] Field of Search **D10/96, 101; 73/49.2, 73/323-334, 311, 321, 293, 861.55; 116/276; 137/559; 250/577**

[56] **References Cited**

U.S. PATENT DOCUMENTS

D. 350,076	8/1994	Frederick et al.	D10/96
1,732,035	10/1929	White	116/276
5,247,813	9/1993	Bottum	116/276 X

Primary Examiner—Antoine Duval Davis

Attorney, Agent, or Firm—William B. Ritchie

[57] **CLAIM**

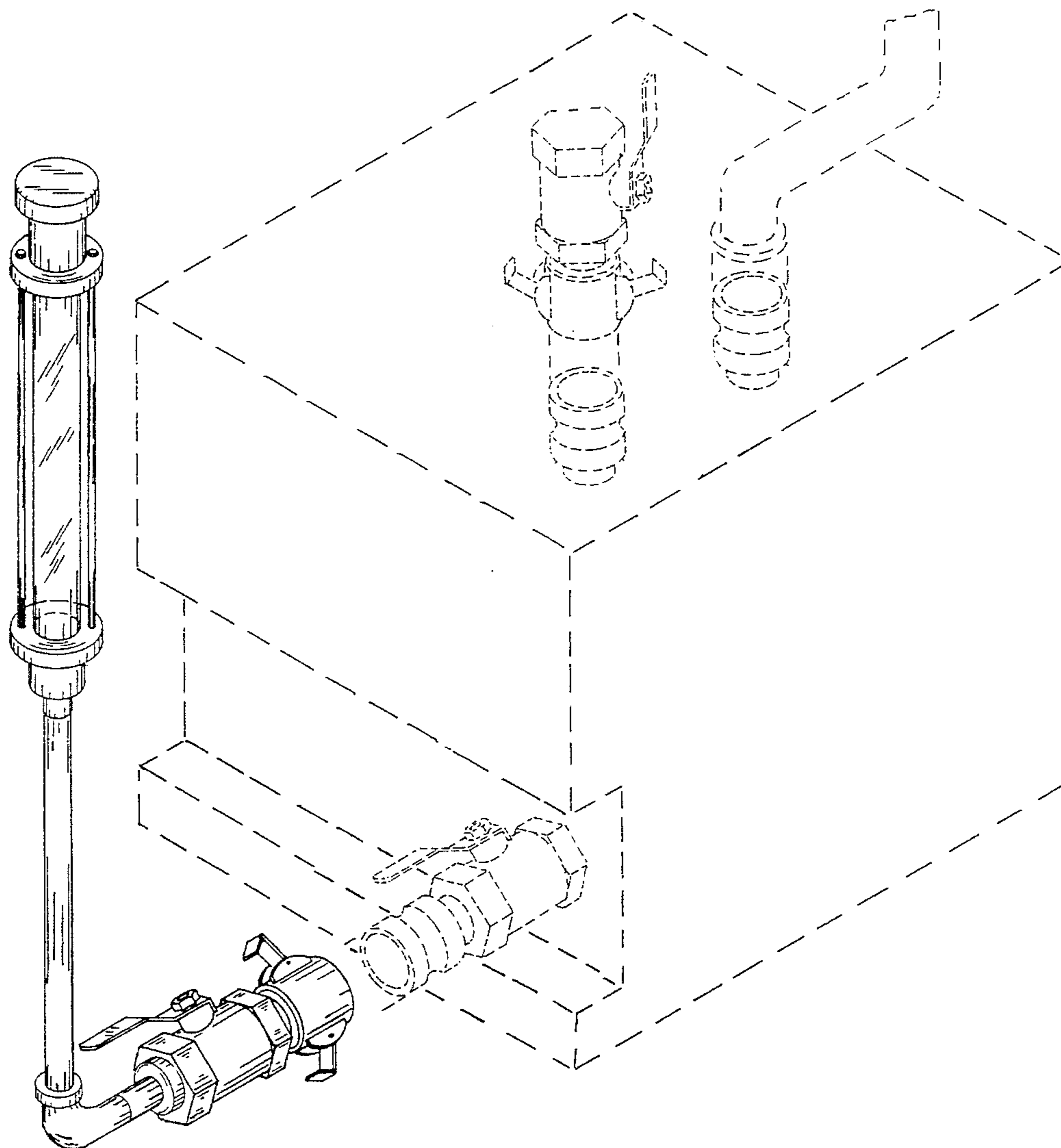
The ornamental design for sight glass gauge for filling storage tanks, as shown and described.

DESCRIPTION

FIG. 1 is a front isometric view of the sight glass gauge for filling storage tanks in accordance with the invention;
 FIG. 2 is a rear isometric view of the sight glass gauge for filling storage tanks;
 FIG. 3 is a front view of the sight glass gauge for filling storage tanks;
 FIG. 4 is a top view of the sight glass gauge for filling storage tanks;
 FIG. 5 is a bottom view of the sight glass gauge for filling storage tanks; and,
 FIG. 6 is a side view of the sight glass gauge for filling storage tanks.

The broken line showing is for illustrative purposes only and forms no part of the claimed design.

1 Claim, 5 Drawing Sheets



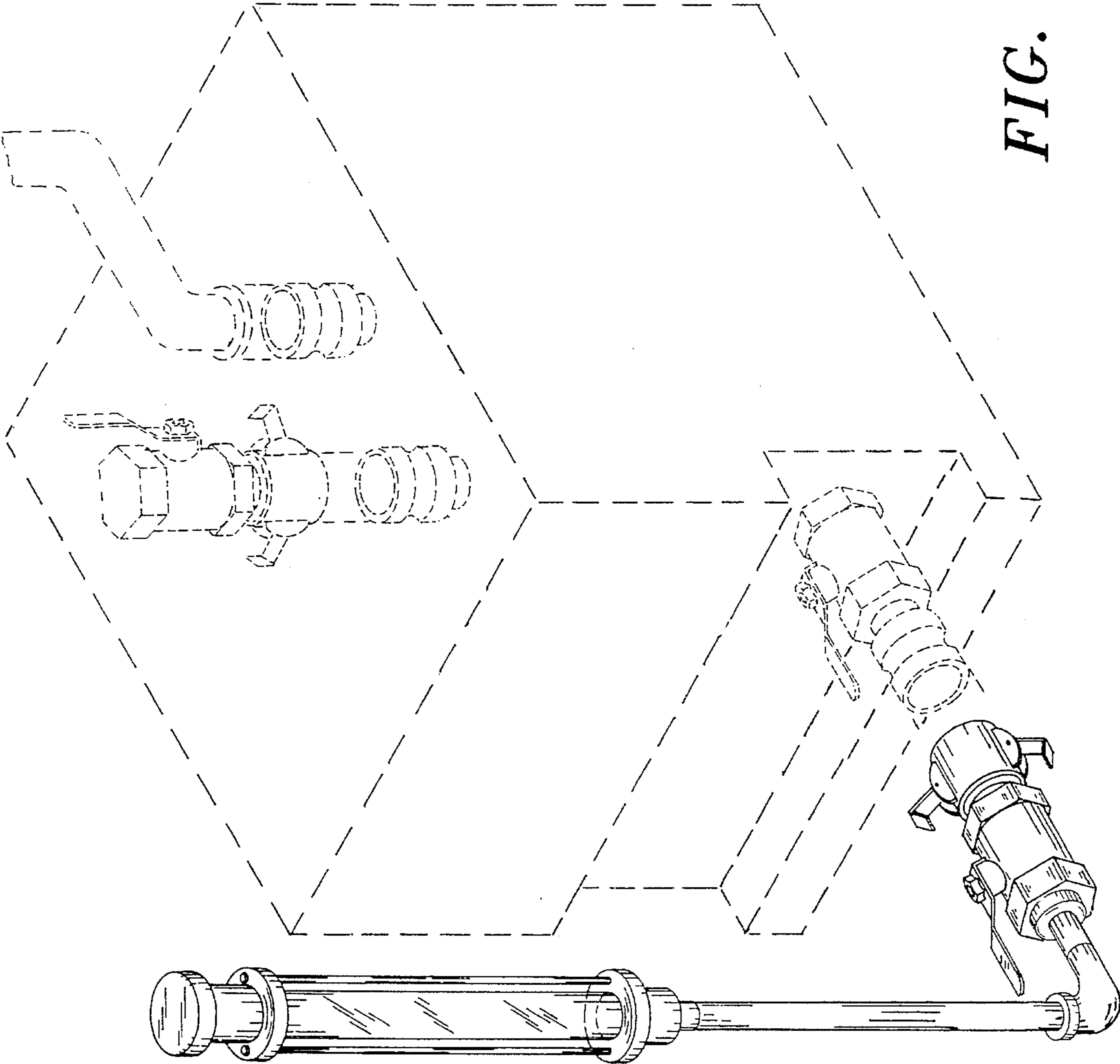


FIG. 1

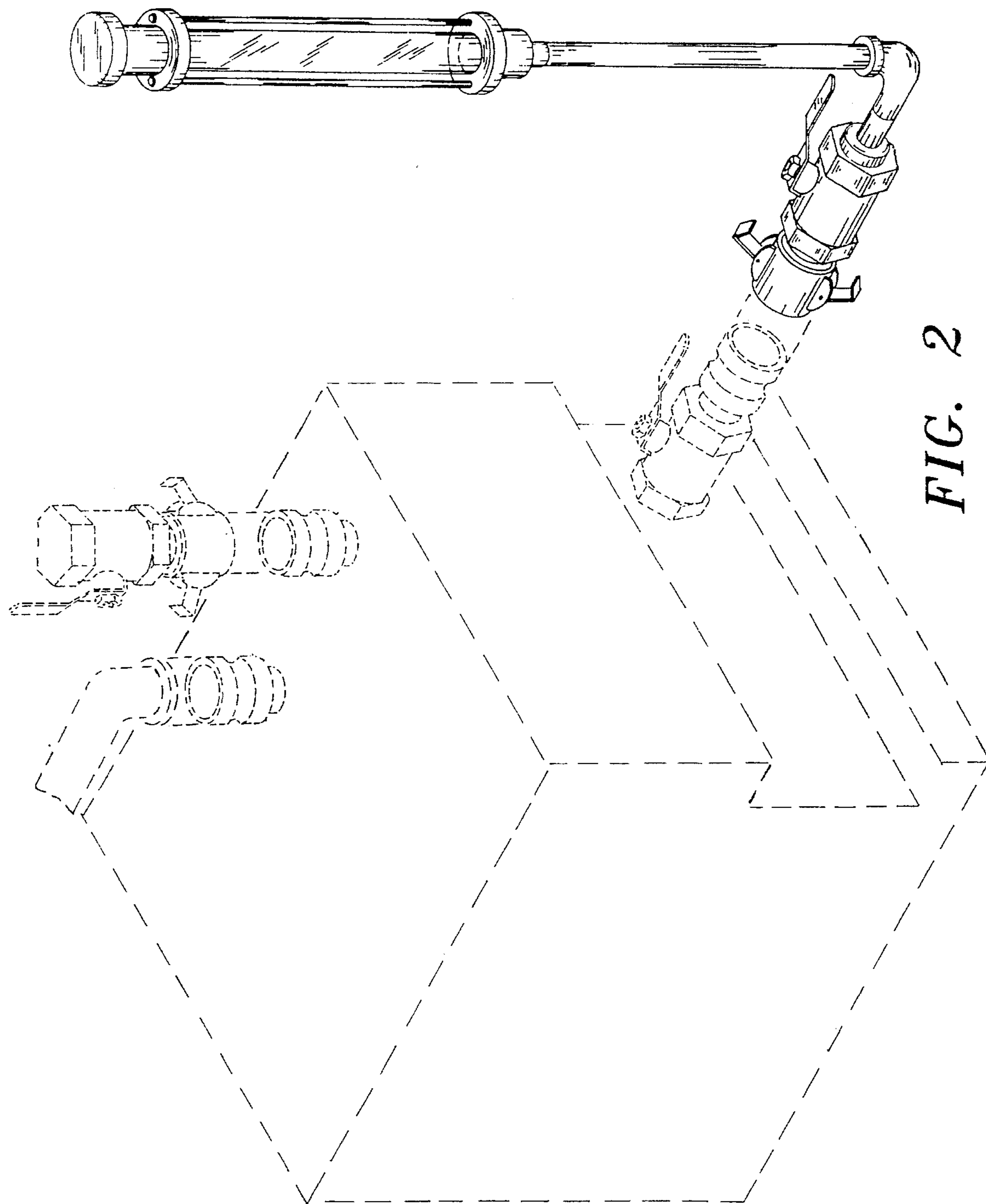


FIG. 2

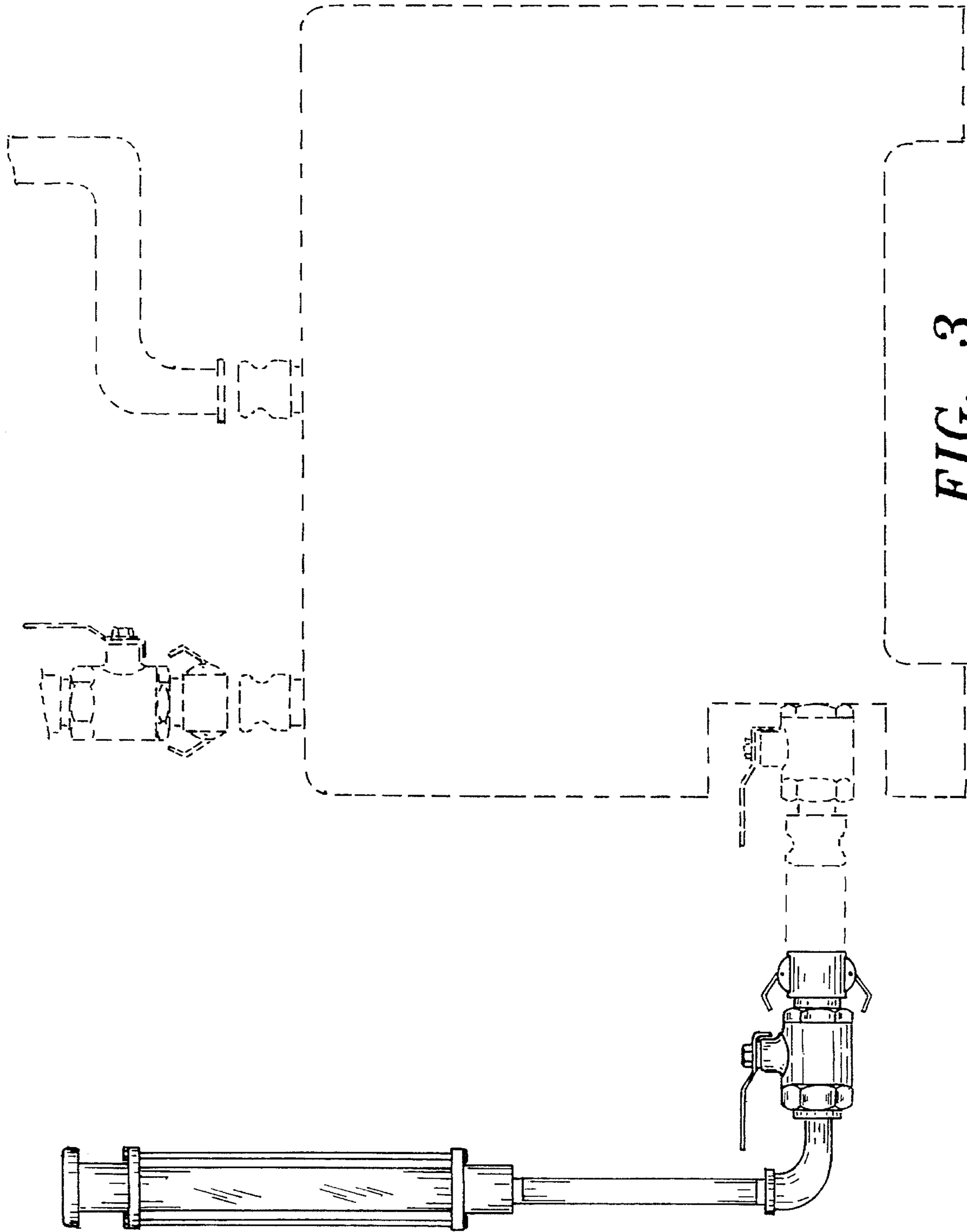


FIG. 3

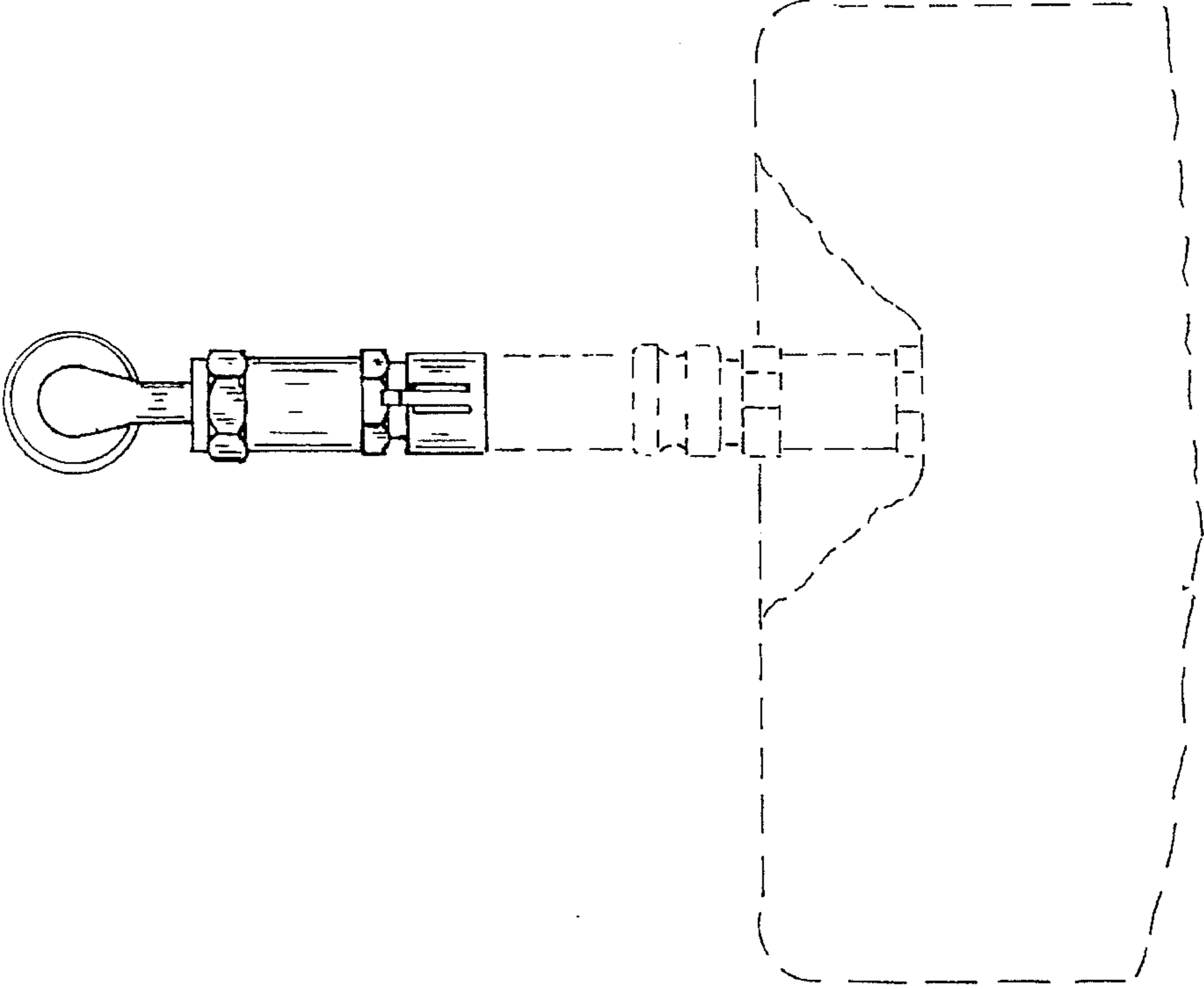


FIG. 5

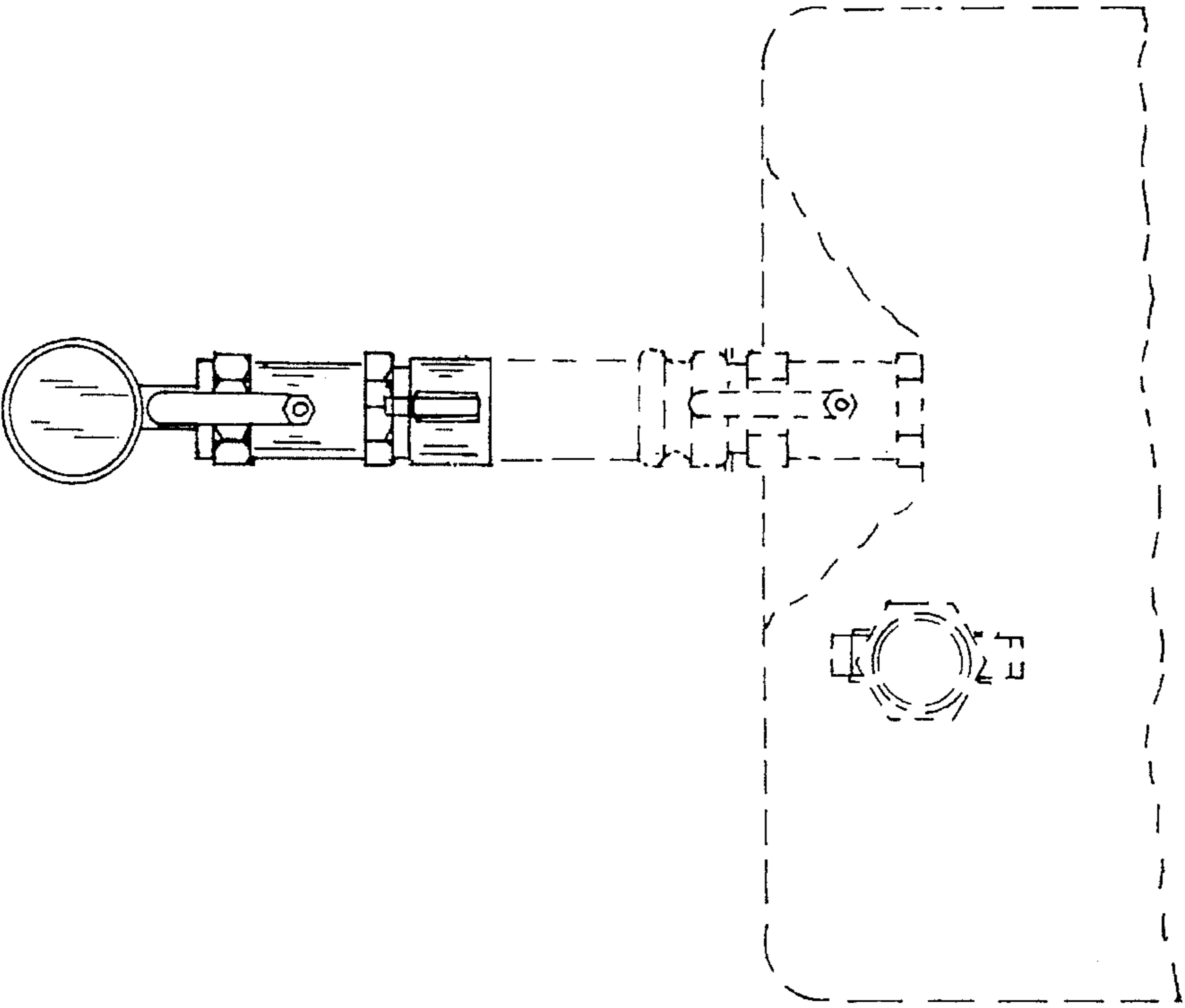


FIG. 4

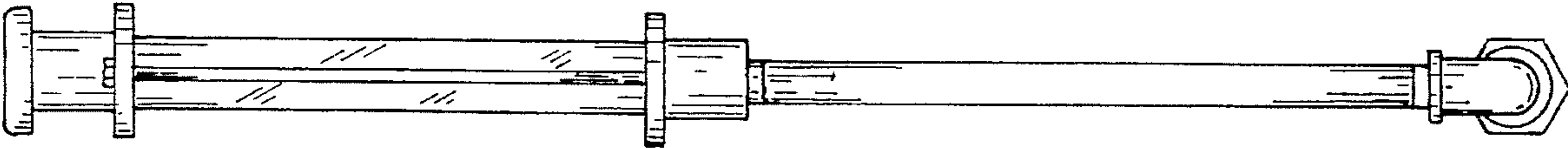


FIG. 6