



US00D366429S

# United States Patent [19]

[11] Patent Number: **Des. 366,429**

Dexter et al.

[45] Date of Patent: **\*\*Jan. 23, 1996**

[54] **THERMOSTAT HOUSING**

[75] Inventors: **Andrea E. Dexter**, Renton, Wash.;  
**James E. Erickson**, Eagan, Minn.;  
**James A. Odom**, Apple Valley, Minn.;  
**Guy M. Shoultz**, Delano, Minn.; **N. Thomas Wolfe**, Golden Valley, Minn.

[73] Assignee: **Honeywell Inc.**, Minneapolis, Minn.

[\*\*] Term: **14 Years**

[21] Appl. No.: **28,039**

[22] Filed: **Sep. 2, 1994**

[52] U.S. Cl. .... **D10/50**; D10/49

[58] Field of Search ..... D10/49, 50; 165/11.1,  
165/13, 22, 32-41; 236/1 B, 46 R, 47,  
49.3, 87, 94; 337/360, 380; 364/557

[56] **References Cited**

**U.S. PATENT DOCUMENTS**

D. 264,189	5/1982	Crawford et al. ....	D10/50
D. 273,466	4/1984	Lawrence et al. ....	D10/50
D. 293,421	12/1987	Bonnema et al. ....	D10/50
4,235,368	11/1980	Neel .....	D10/50 X
4,948,044	8/1990	Cacciatore .....	D10/50 X

**FOREIGN PATENT DOCUMENTS**

434926	7/1991	European Pat. Off. ....	236/46 R
--------	--------	-------------------------	----------

*Primary Examiner*—Antoine Duval Davis  
*Attorney, Agent, or Firm*—Charles L. Rubow

[57] **CLAIM**

The ornamental design for a thermostat housing, as shown and described.

**DESCRIPTION**

FIG. 1 is a perspective view as seen from the front, top and left end of a thermostat housing in accordance with the applicants' design with a keypad cover thereon in a closed position;

FIG. 2 is a front elevation view of the thermostat housing with the cover in a closed position;

FIG. 3 is a right end elevation view of the thermostat housing with the cover in a closed position;

FIG. 4 is a bottom plan view of the thermostat housing with the cover in a closed position;

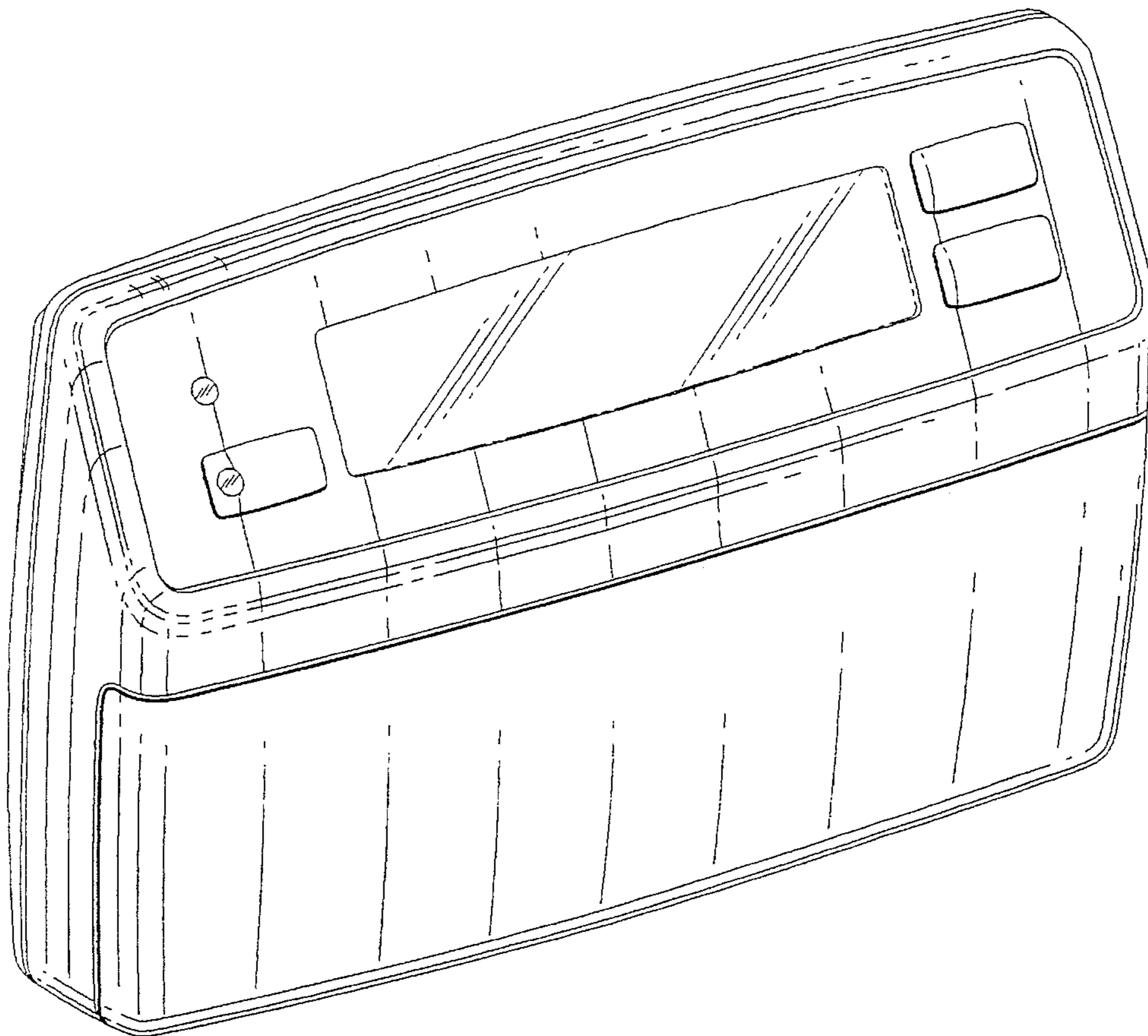
FIG. 5 is a front elevation view of the thermostat housing with the cover in an open position;

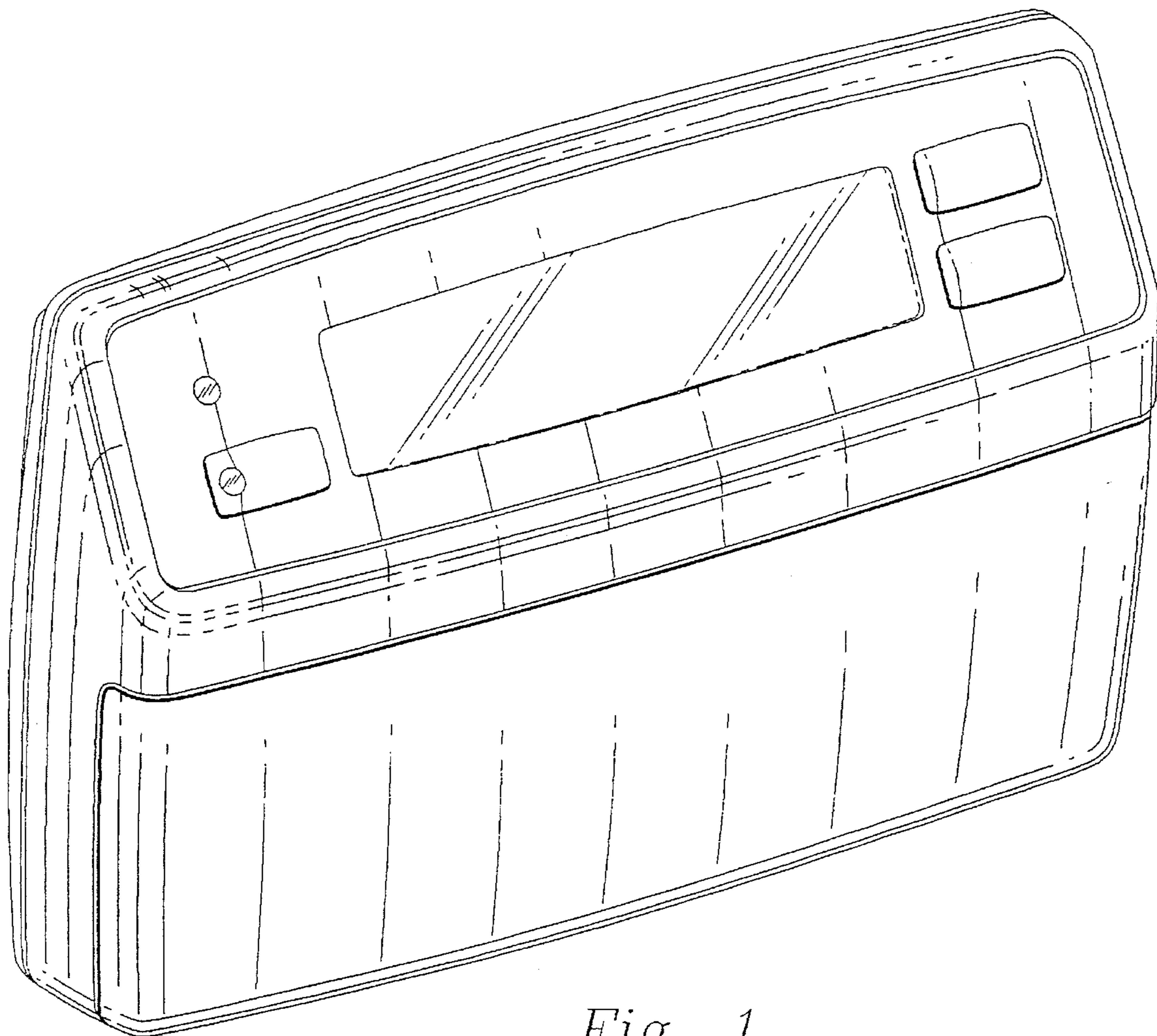
FIG. 6 is a top plan view of the thermostat housing; and,

FIG. 7 is a right end elevation view of the thermostat housing with the cover in an open position.

The left end elevation views of the thermostat housing with the cover in a closed and an open position are mirror images of the respective right end elevation views thereof. The rear of the thermostat housing does not comprise any portion of the invention, and hence is not shown in the drawings.

**1 Claim, 5 Drawing Sheets**





*Fig. 1*

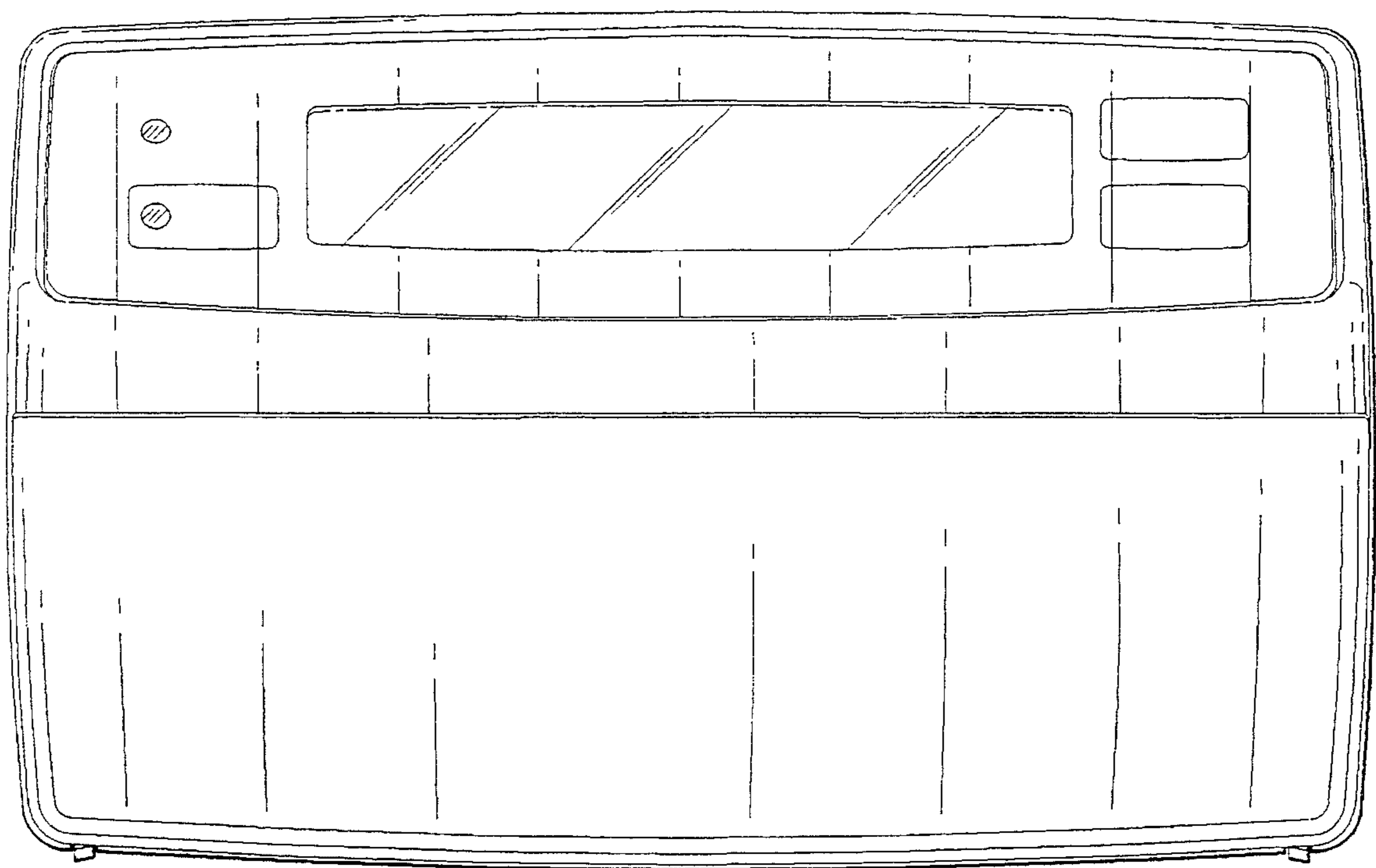


FIG. 2

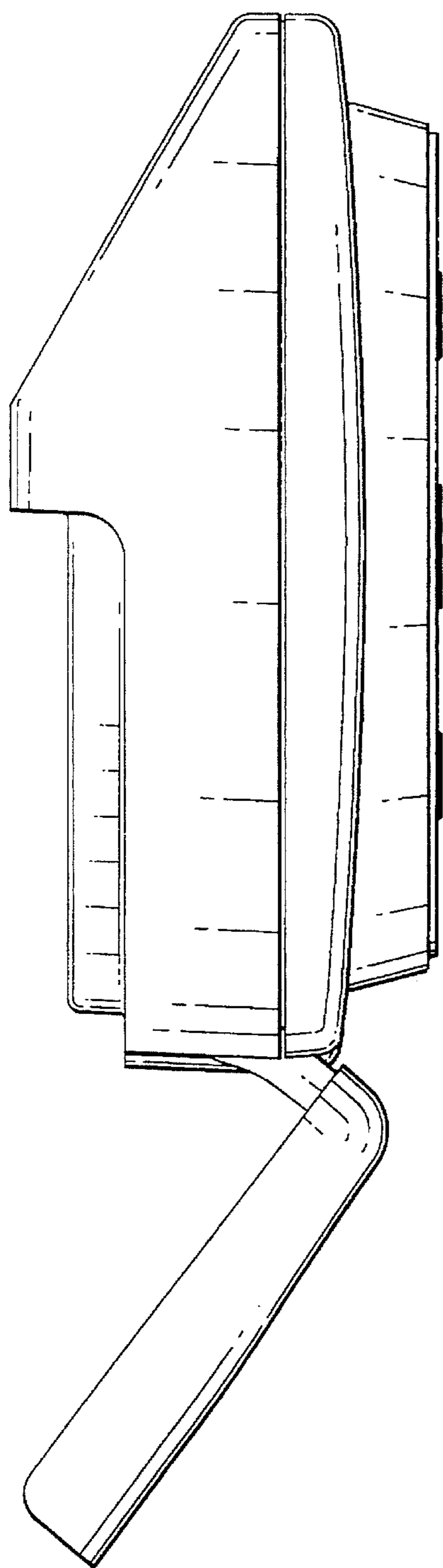


FIG. 7

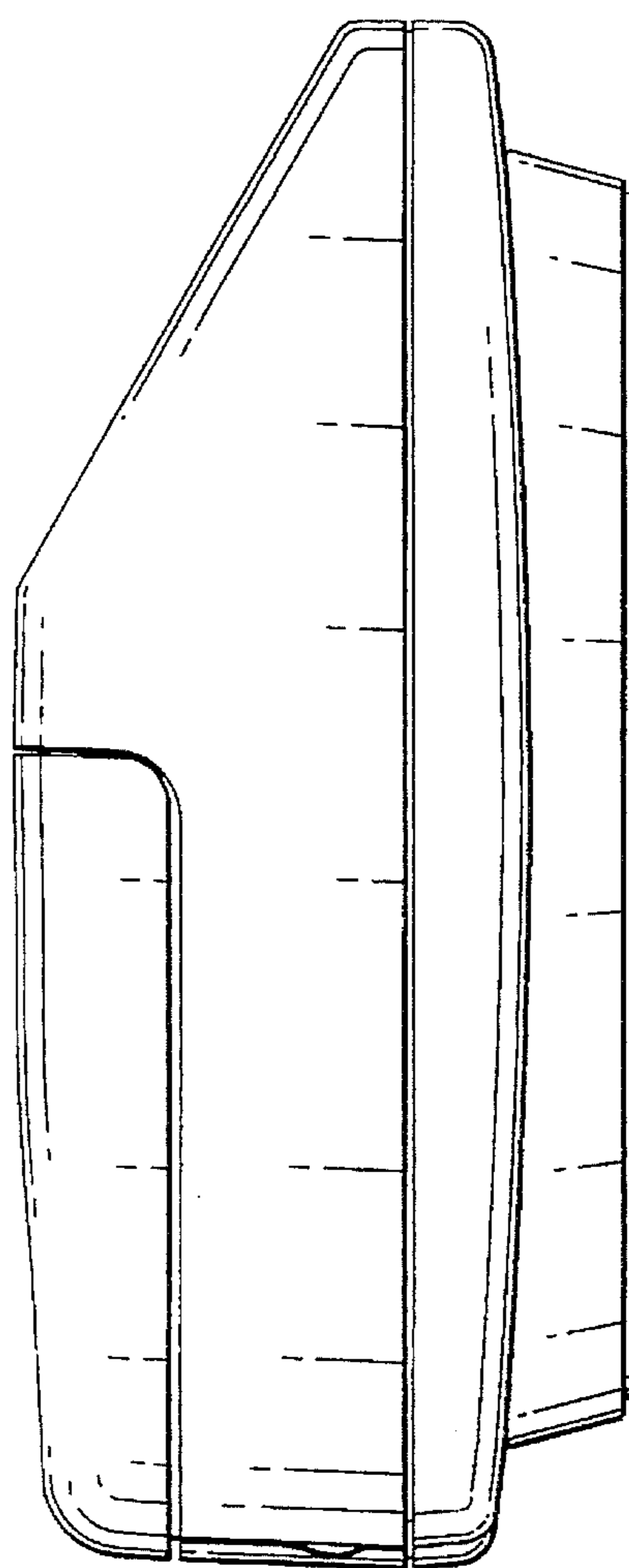


FIG. 3

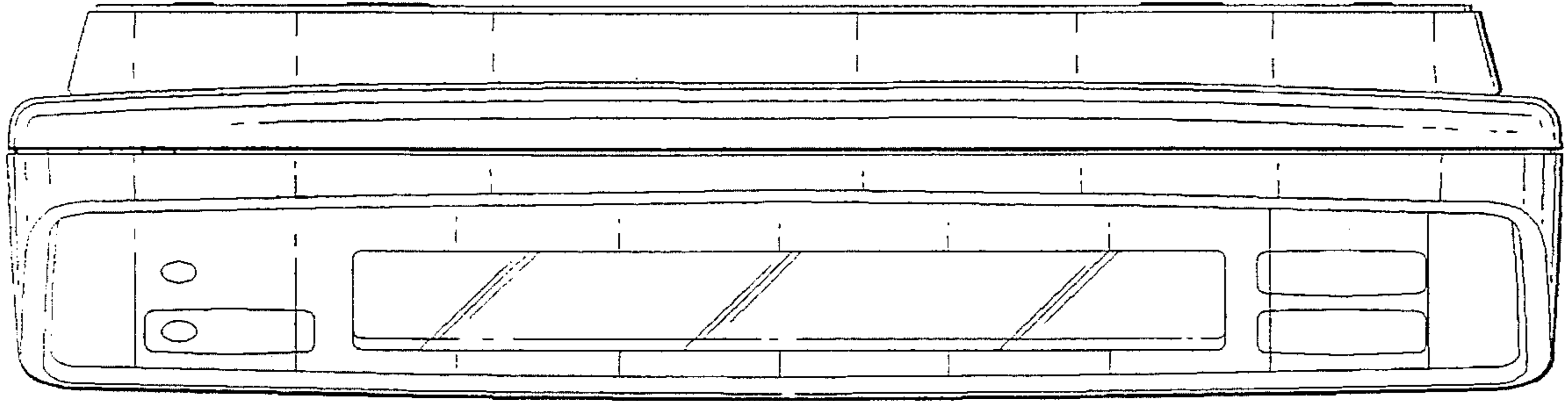


FIG. 6

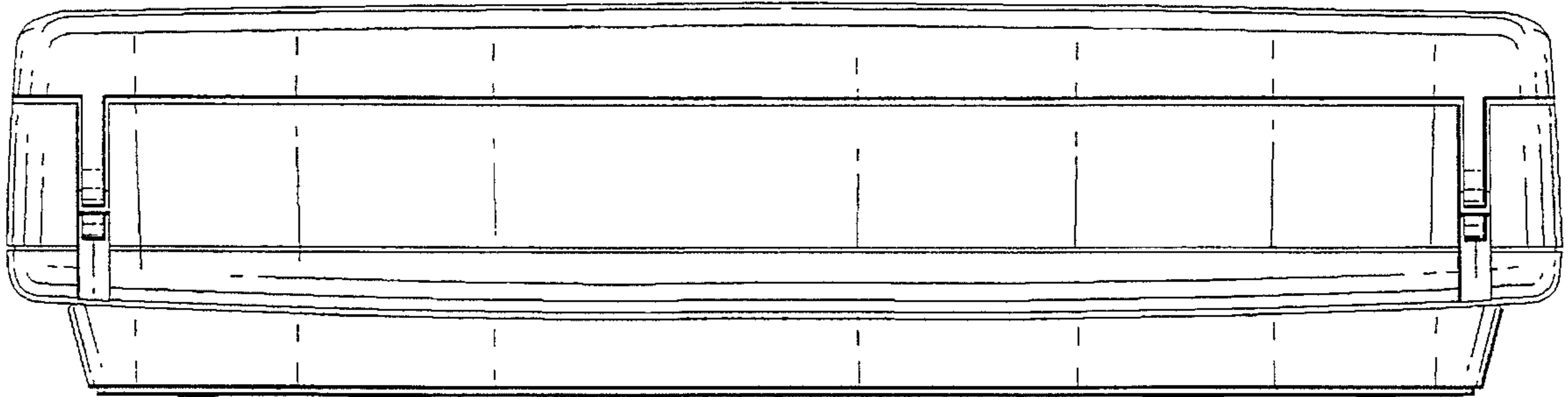


FIG. 4

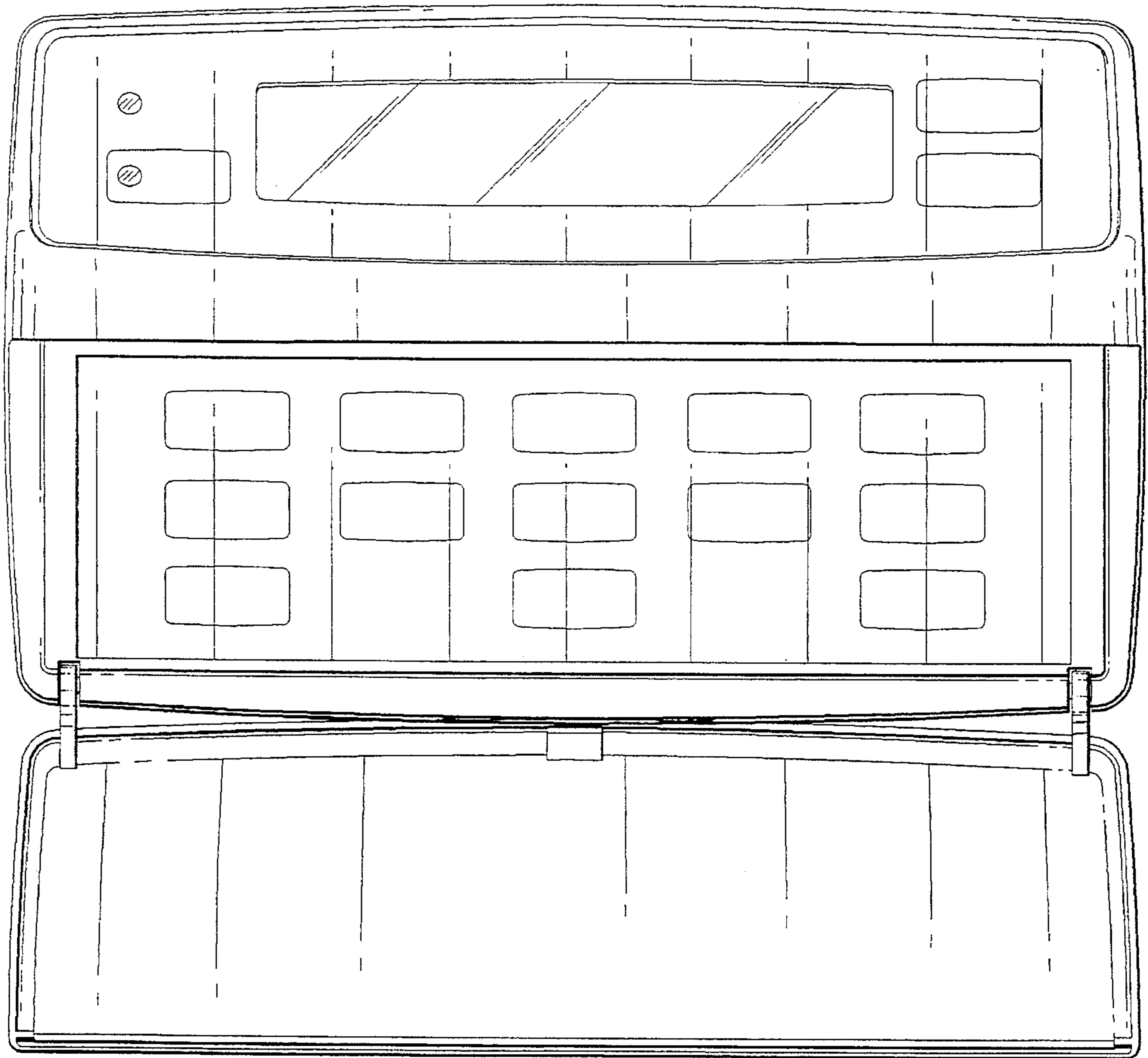


FIG. 5