



US00D366425S

United States Patent [19]

Hirose

[11] Patent Number: **Des. 366,425**

[45] Date of Patent: ****Jan. 23, 1996**

[54] **WRISTWATCH AND PULSE RATE MONITOR**

[75] Inventor: **Masanao Hirose**, Suwa, Japan

[73] Assignee: **Seiko Epson Corporation**, Shinjuku, Japan

[**] Term: **14 Years**

[21] Appl. No.: **31,192**

[22] Filed: **Nov. 7, 1994**

[30] Foreign Application Priority Data

May 6, 1994 [JP] Japan 6-12940

[52] U.S. Cl. **D10/31; D10/32**

[58] Field of Search D10/30-39, 122-132; 368/10, 11; 128/678-690; D24/166, 165

[56] References Cited

U.S. PATENT DOCUMENTS

- D. 287,403 12/1986 Kiiski D10/31 X
- D. 303,092 8/1989 Wakamatsu D10/31
- D. 323,993 2/1992 Lee D10/32

- D. 331,020 11/1992 Ishii D10/31
- D. 331,021 11/1992 Ishii D10/31
- D. 345,926 4/1994 Houlihan D10/38 X
- D. 355,610 2/1995 Sagita D10/31
- 4,280,506 7/1981 Zurcher 128/690
- 4,305,401 12/1981 Reissmueller 128/690
- 4,450,843 5/1984 Barney 128/690
- 4,807,639 2/1989 Shimizu 128/690

Primary Examiner—Nelson C. Holtje
Attorney, Agent, or Firm—Oliff & Berridge

[57] CLAIM

The ornamental design for a wristwatch and pulse rate monitor, as shown and described.

DESCRIPTION

FIG. 1 is a front perspective view of the invention;
FIG. 2 is a front view;
FIG. 3 is a rear view;
FIG. 4 is a left-side view;
FIG. 5 is a right-side view;
FIG. 6 is a top view; and,
FIG. 7 is a bottom view.

1 Claim, 4 Drawing Sheets

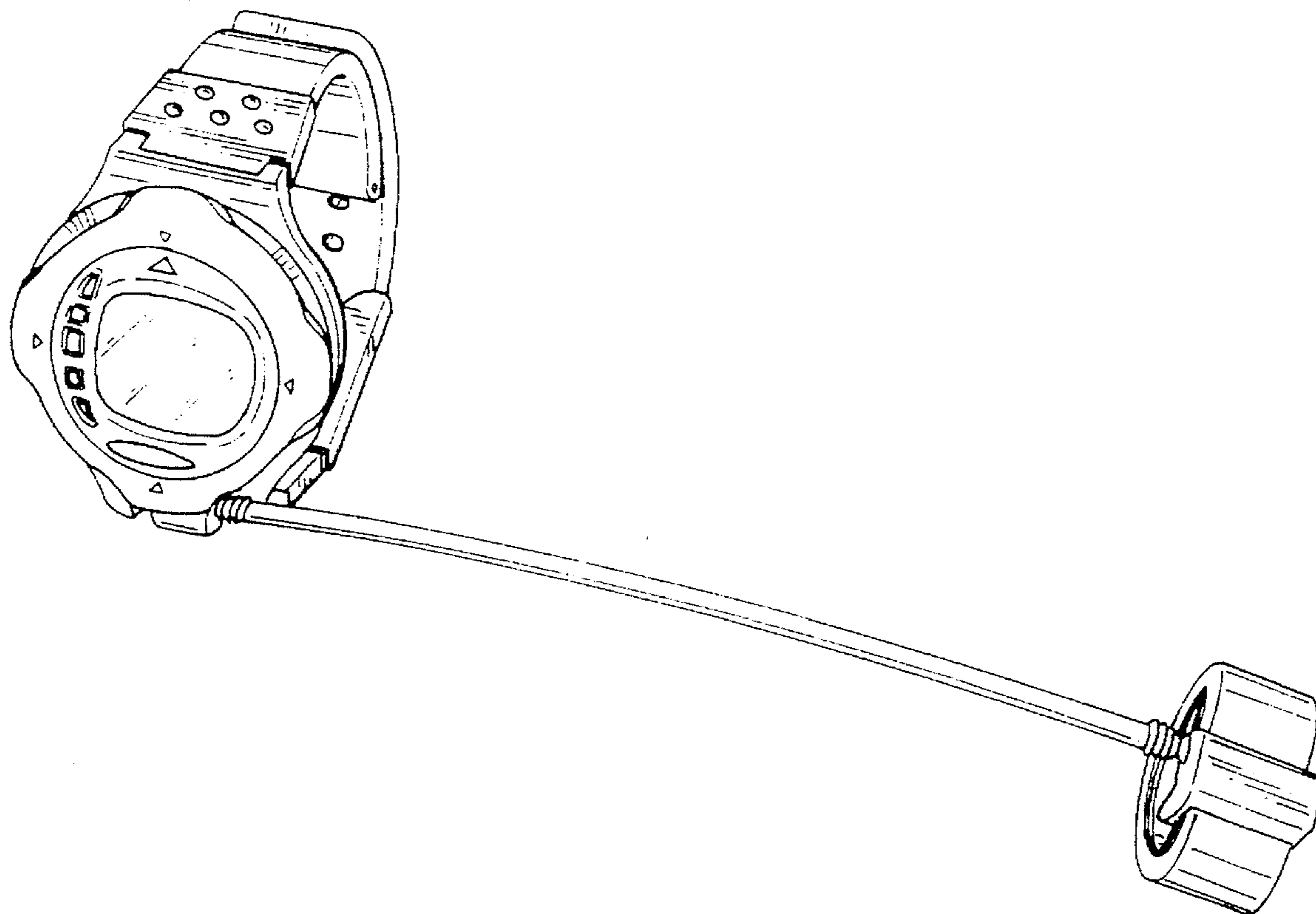


Fig. 1

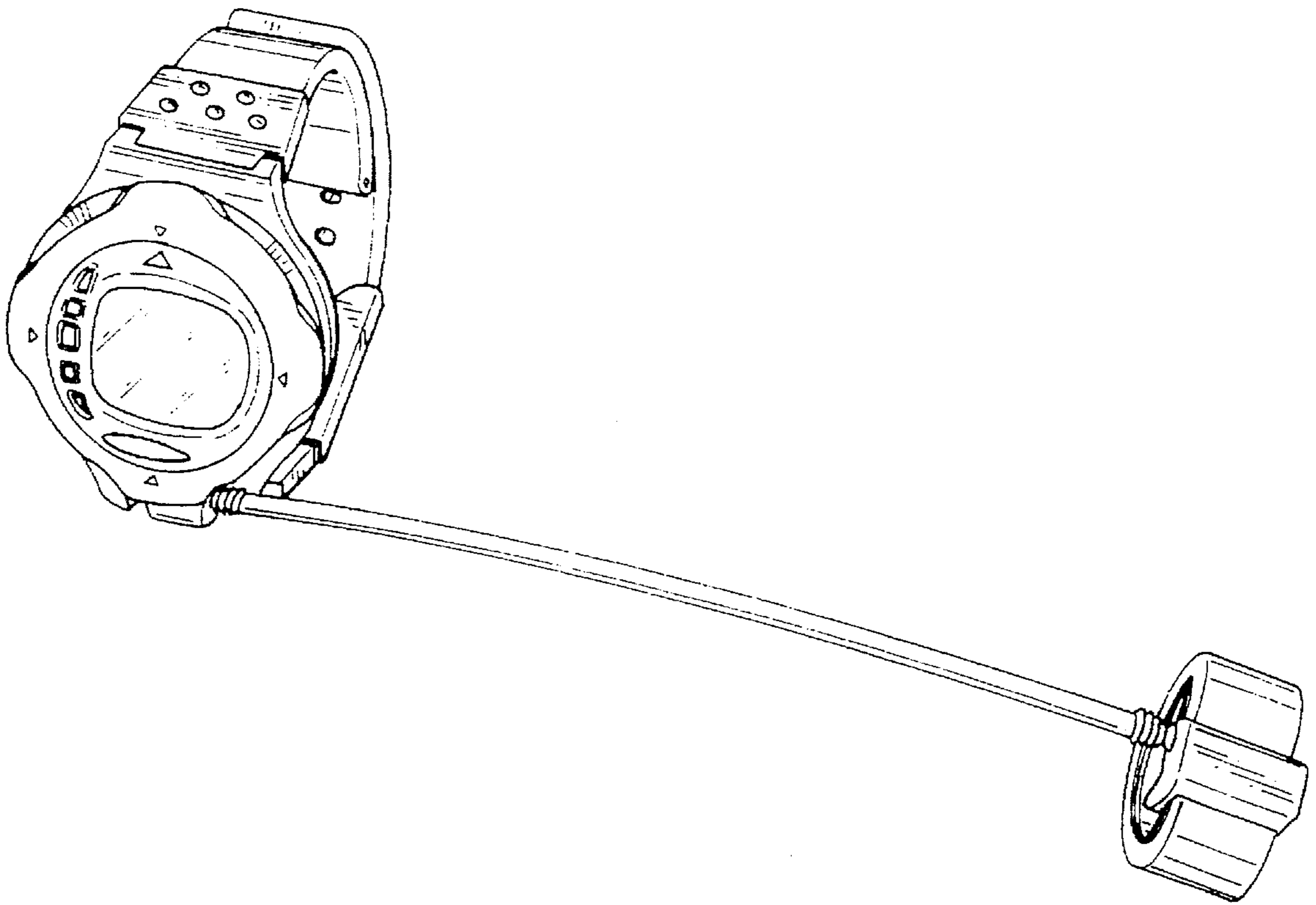


Fig. 2

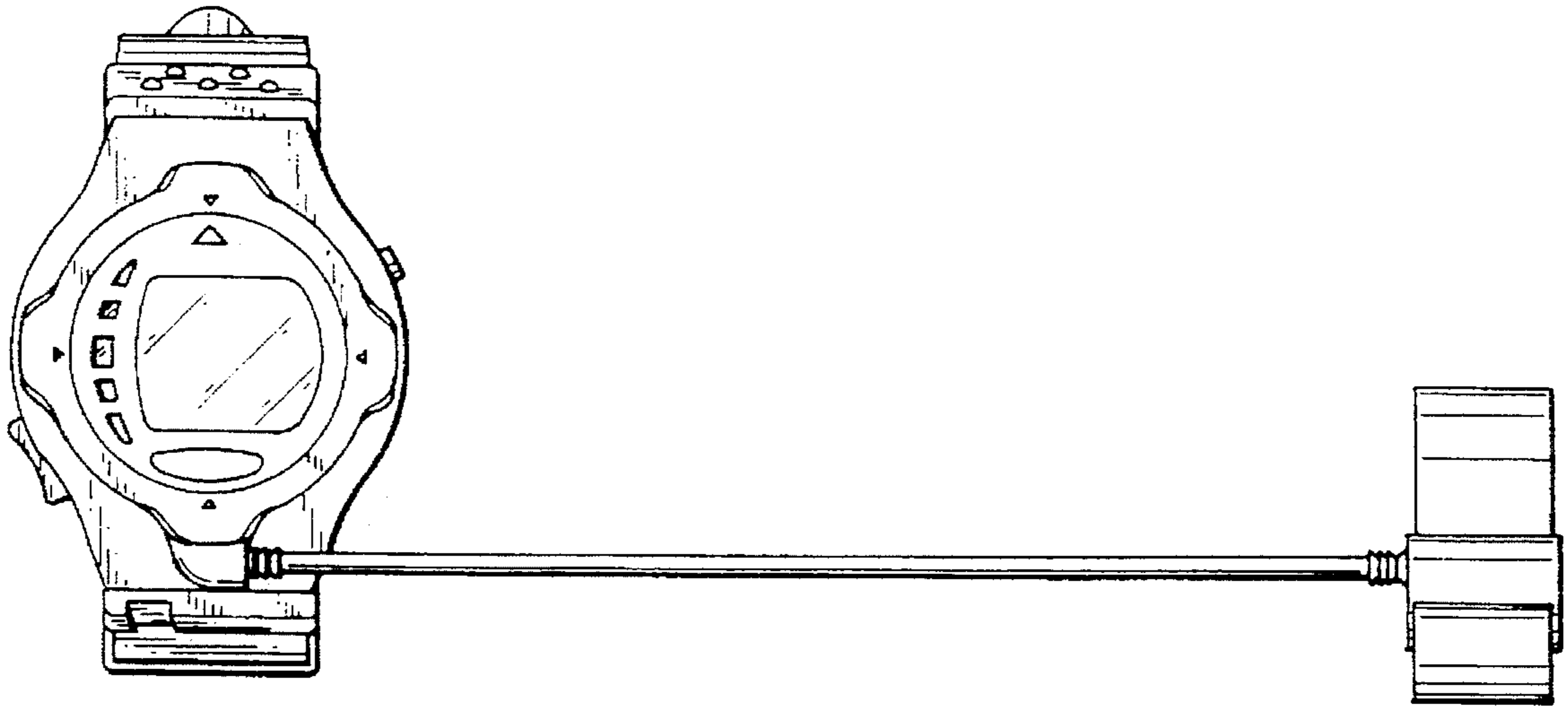


Fig. 3

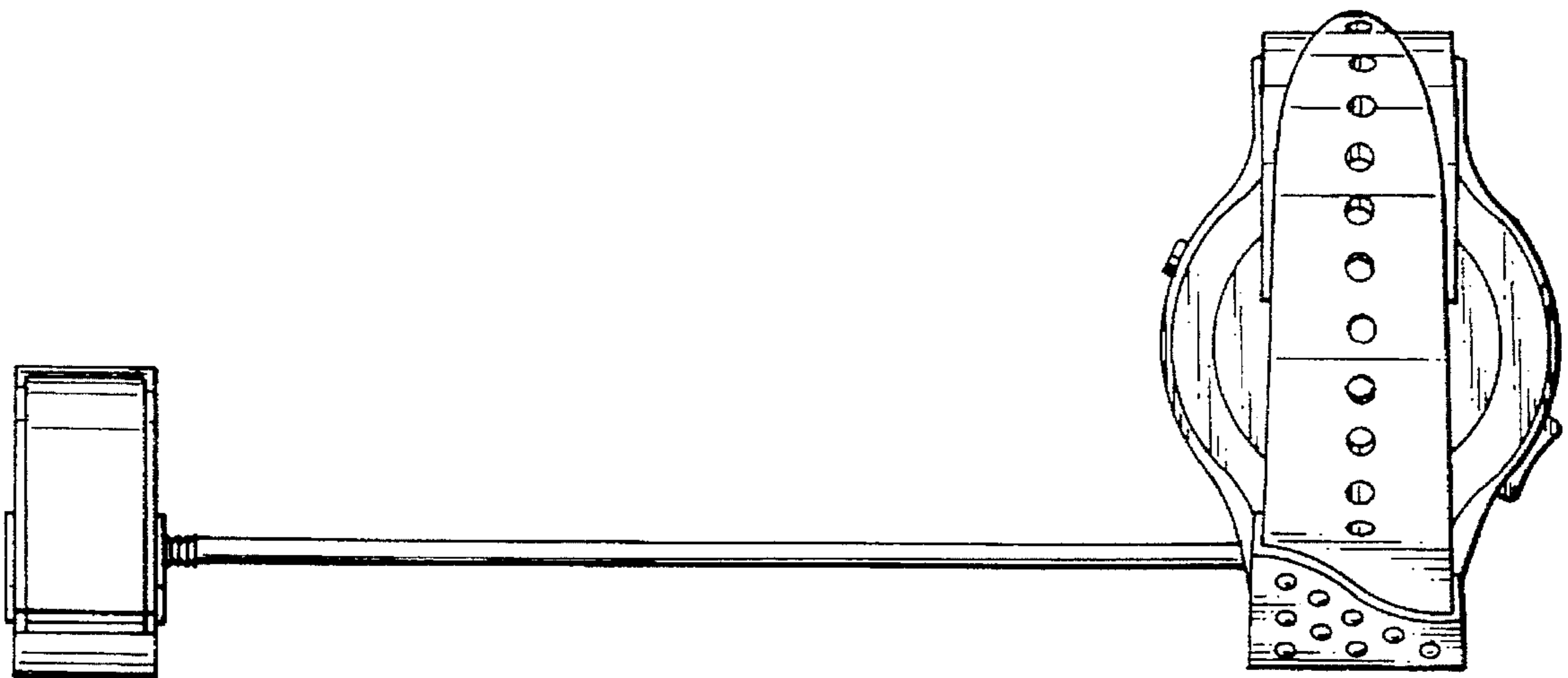


Fig. 4

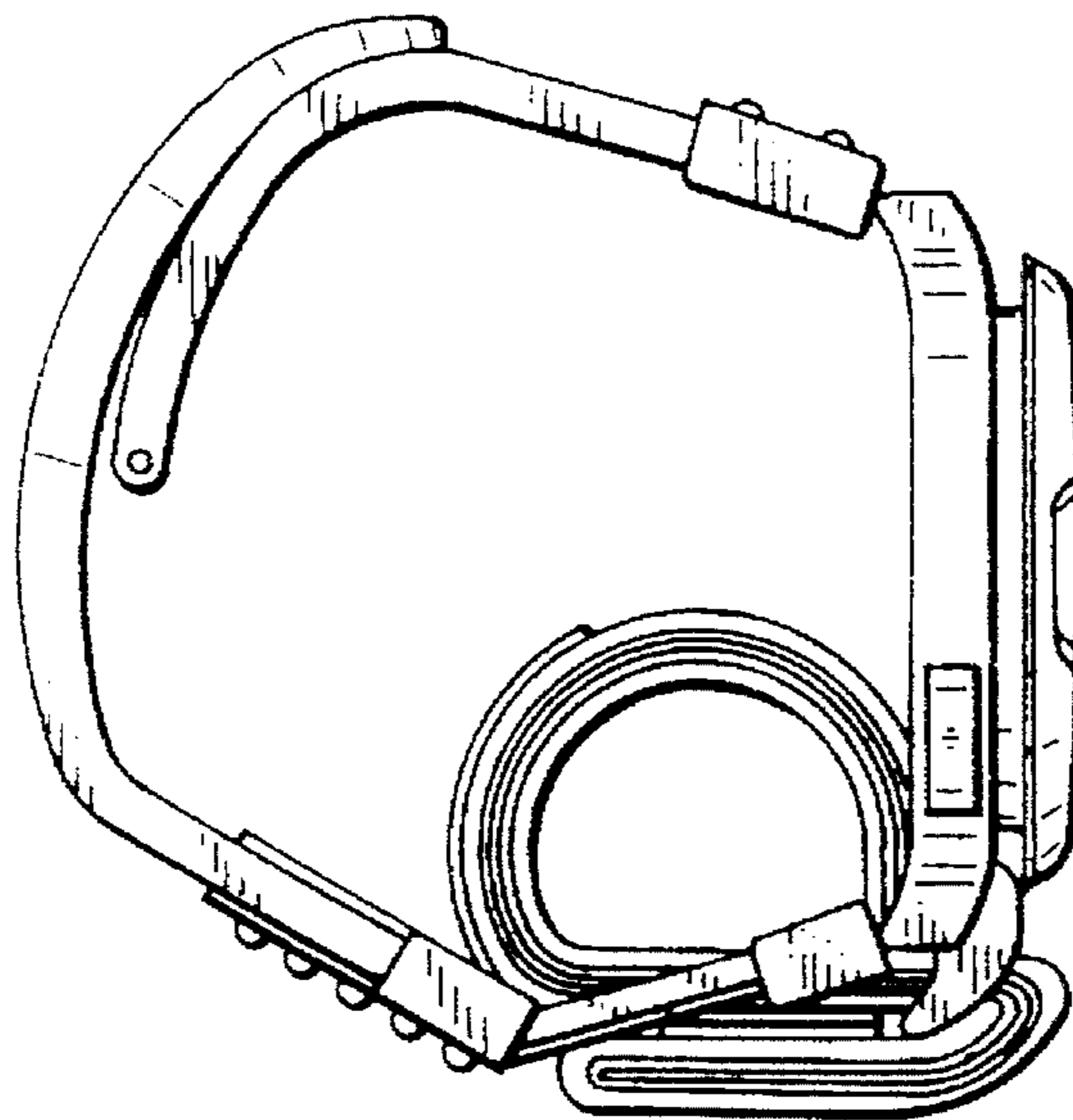


Fig. 5

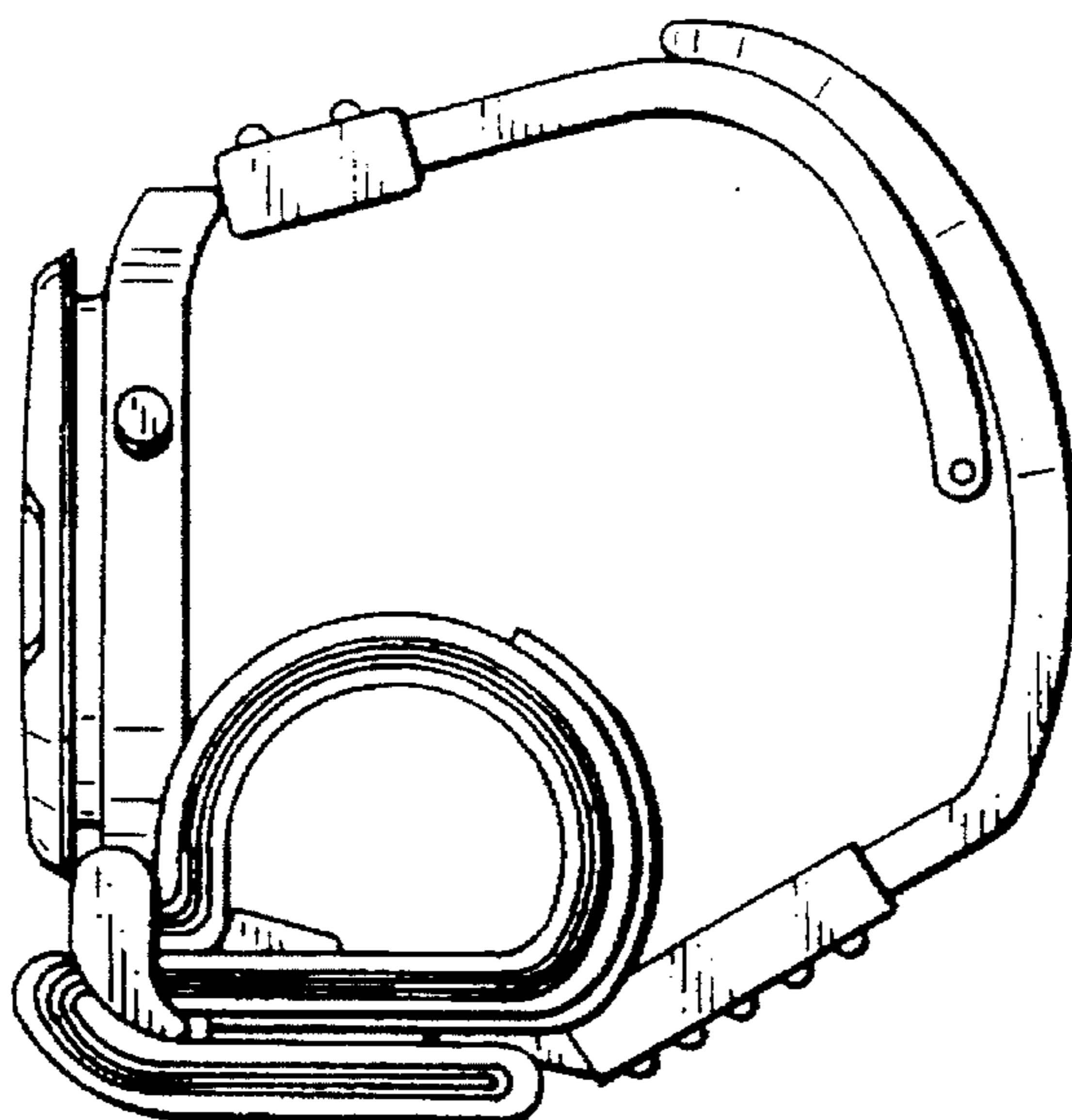


Fig. 6

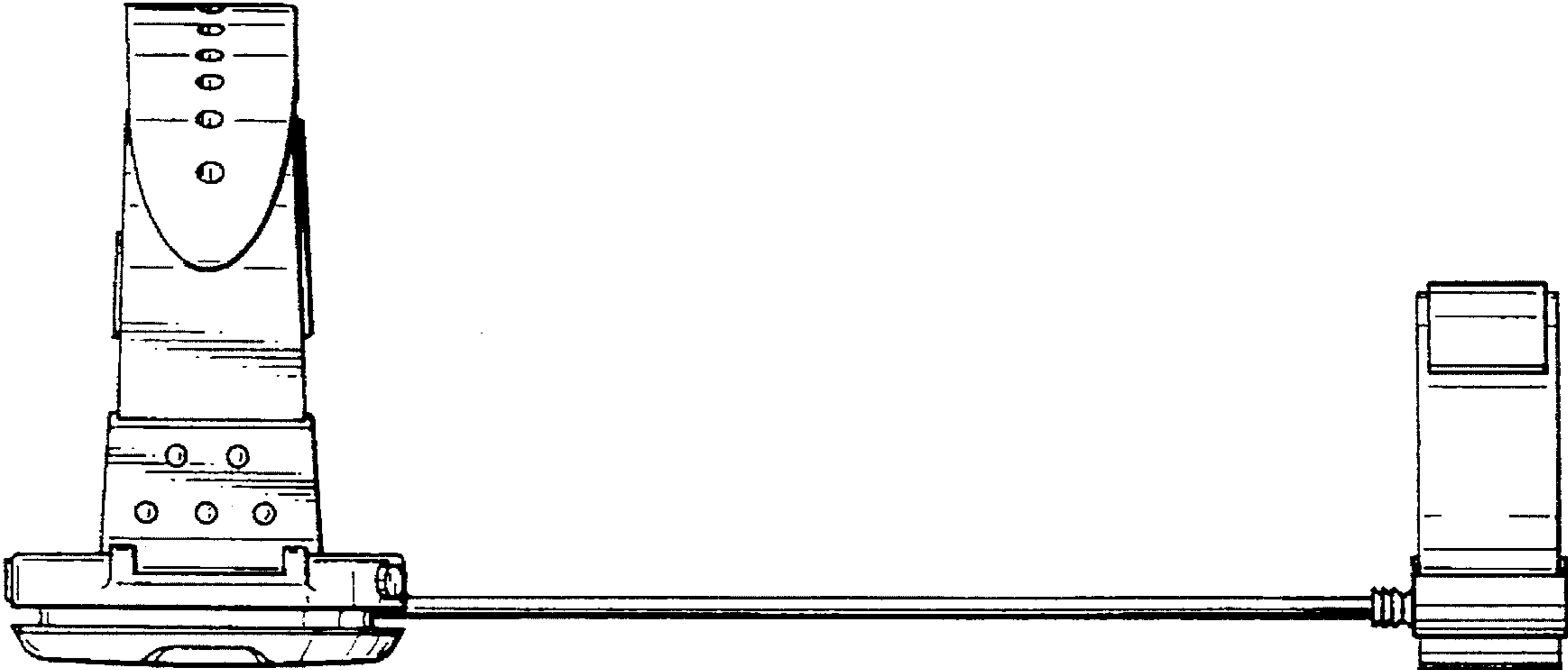


Fig. 7

