



US00D366415S

United States Patent [19]
Nagasaka

[11] **Patent Number: Des. 366,415**
[45] **Date of Patent: **Jan. 23, 1996**

[54] **TAPE CASSETTE PACKAGE**
[75] Inventor: **Yoshie Nagasaka**, Kanagawa, Japan
[73] Assignee: **Sony Corp.**, Tokyo, Japan
[**] Term: **14 Years**
[21] Appl. No.: **23,137**
[22] Filed: **May 18, 1994**
[52] U.S. Cl. **D9/432**
[58] Field of Search D9/346, 414, 418,
D9/432, 433; 206/232, 387.1, 387.13

5,103,978 4/1992 Secor 206/387.1
5,129,518 6/1992 Tanaka et al. 206/497

Primary Examiner—Ted Shooman
Assistant Examiner—Nanda Bondade
Attorney, Agent, or Firm—Cooper & Dunham

[57] **CLAIM**

The ornamental design for a tape cassette package, as shown and described.

DESCRIPTION

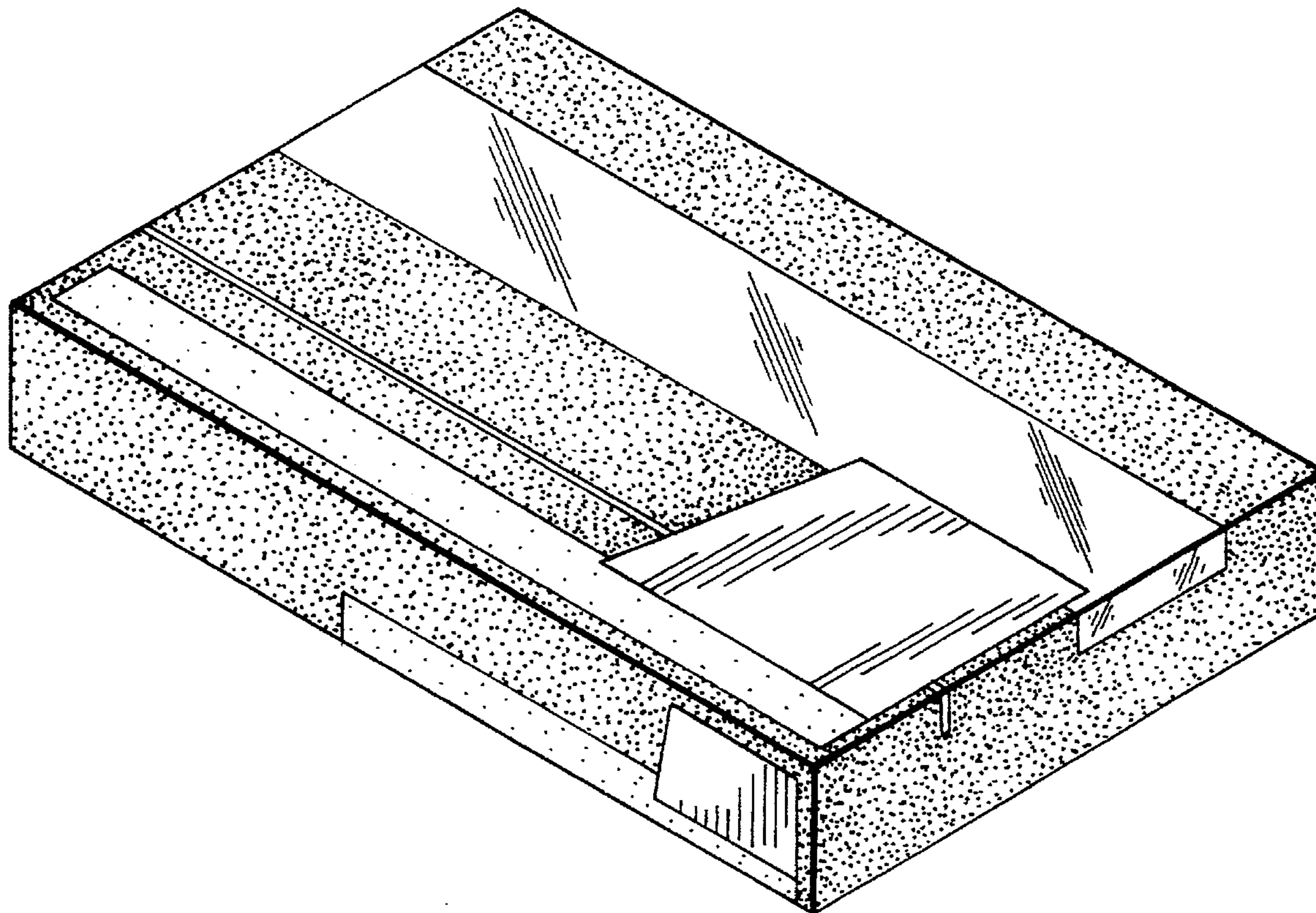
FIG. 1 is a bottom, front and right side perspective view of a tape cassette package showing my new design;
FIG. 2 is a front elevational view thereof;
FIG. 3 is a rear elevational view thereof;
FIG. 4 is a left-side elevational view thereof;
FIG. 5 is a right-side elevational view thereof;
FIG. 6 is a top plan view thereof; and,
FIG. 7 is a bottom plan view thereof.

[56] **References Cited**

U.S. PATENT DOCUMENTS

D. 275,654	9/1984	Yoshizawa	D9/432
D. 282,444	2/1986	Yoshizawa	D9/432
D. 282,445	2/1986	Yoshizawa	D9/432
319,589	9/1891	Lee	D9/432
3,782,956	11/1988	Yoshizawa	206/497 X

1 Claim, 3 Drawing Sheets



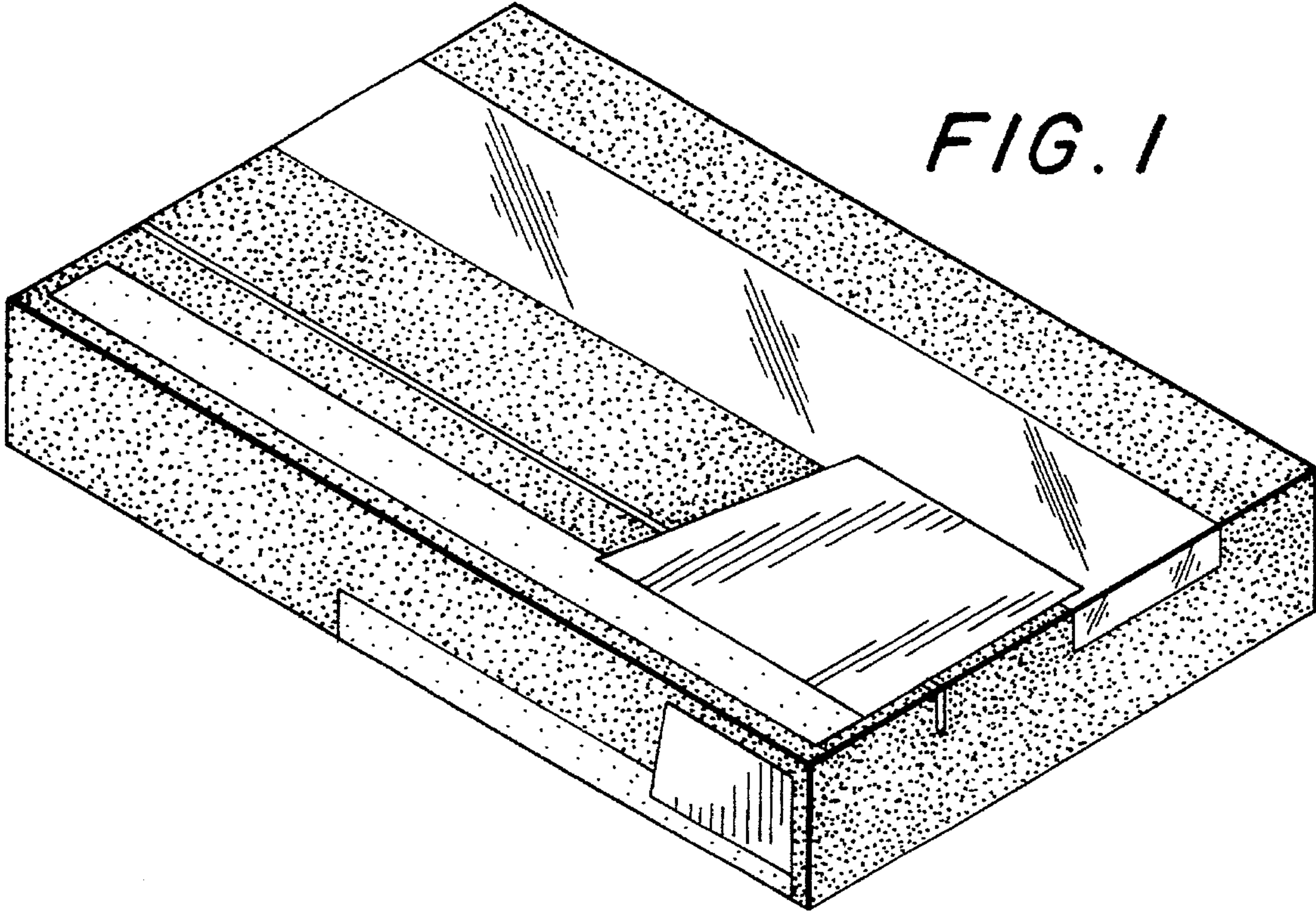


FIG. 2

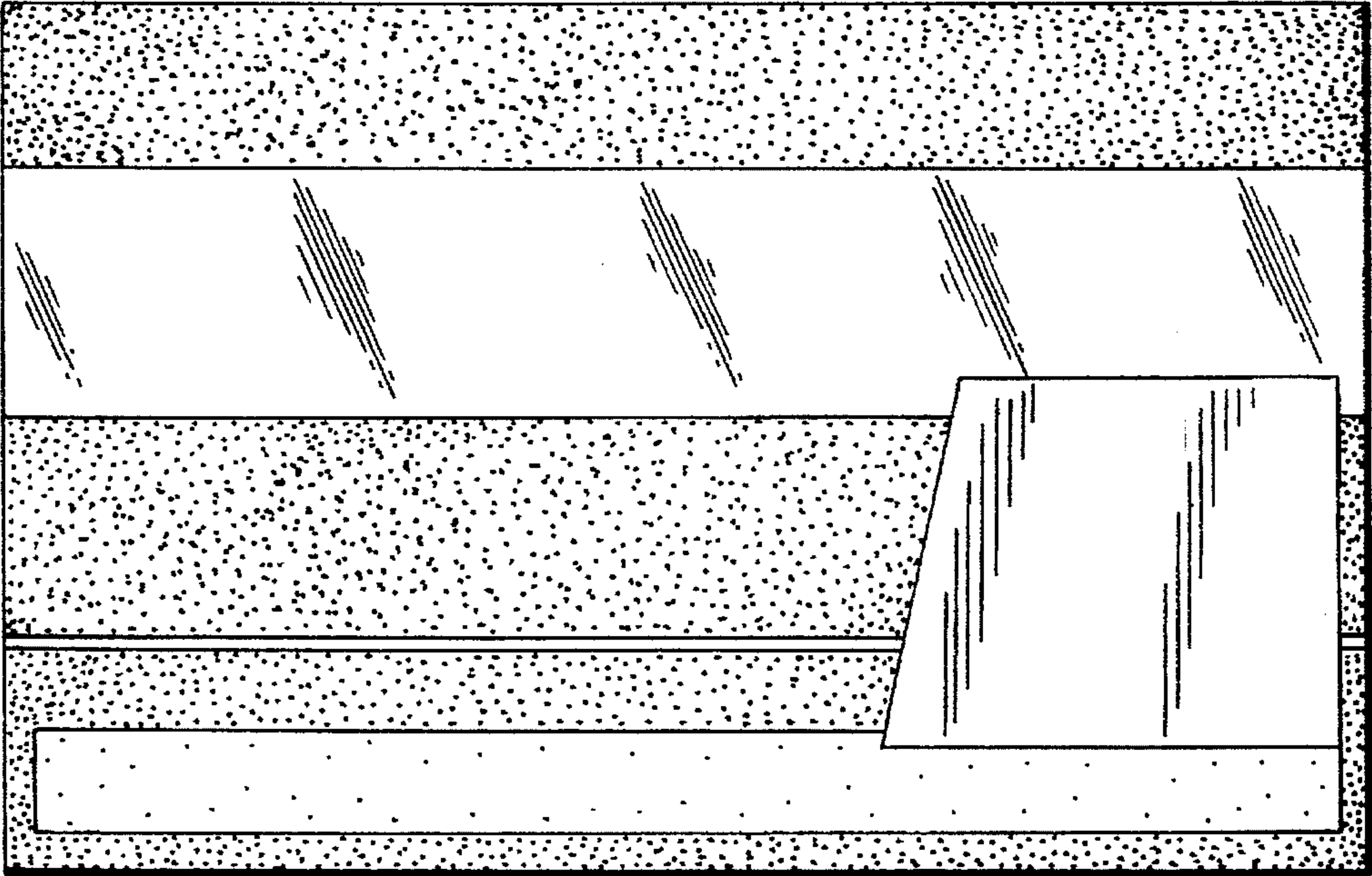


FIG. 3

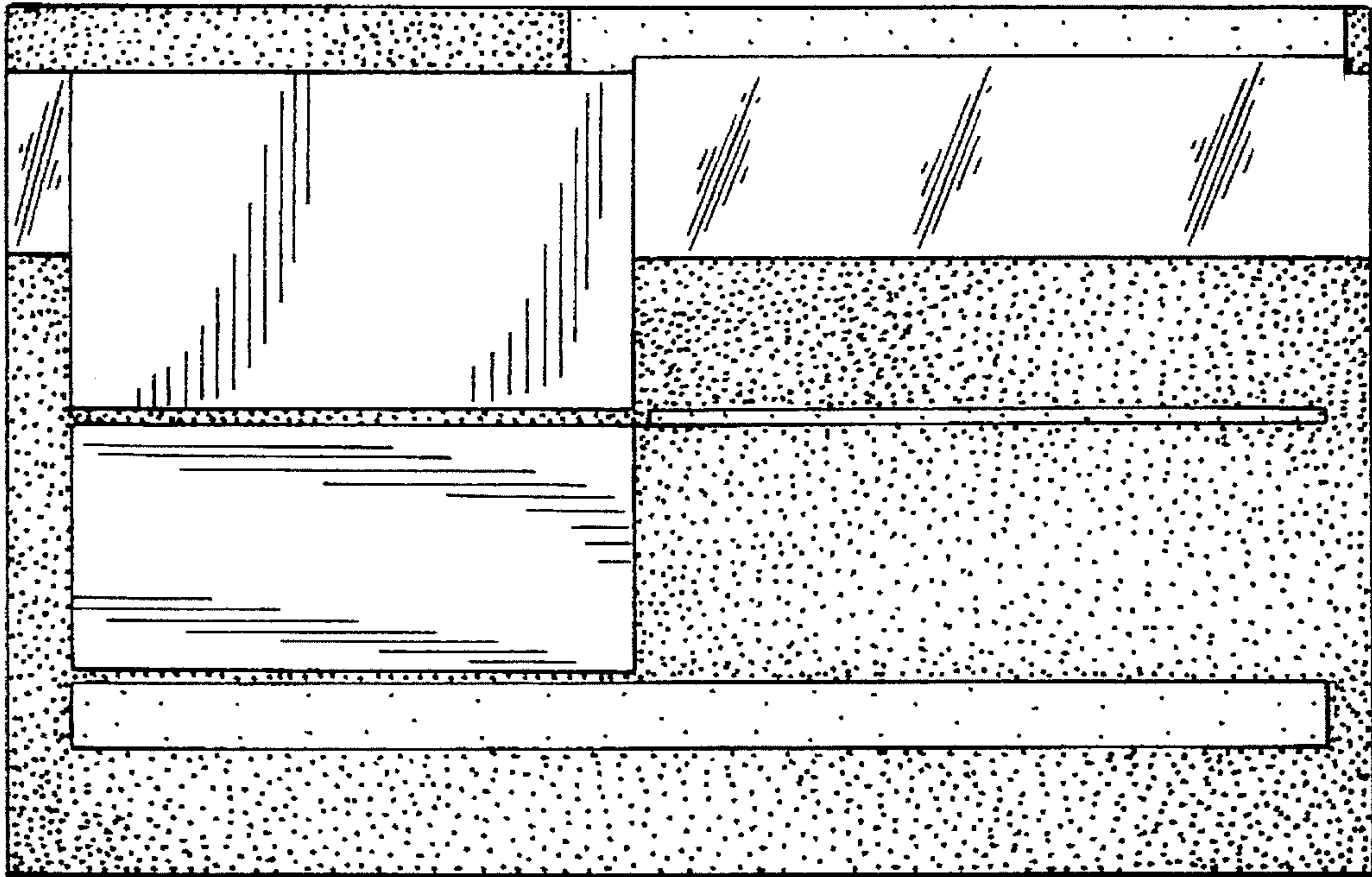


FIG. 4

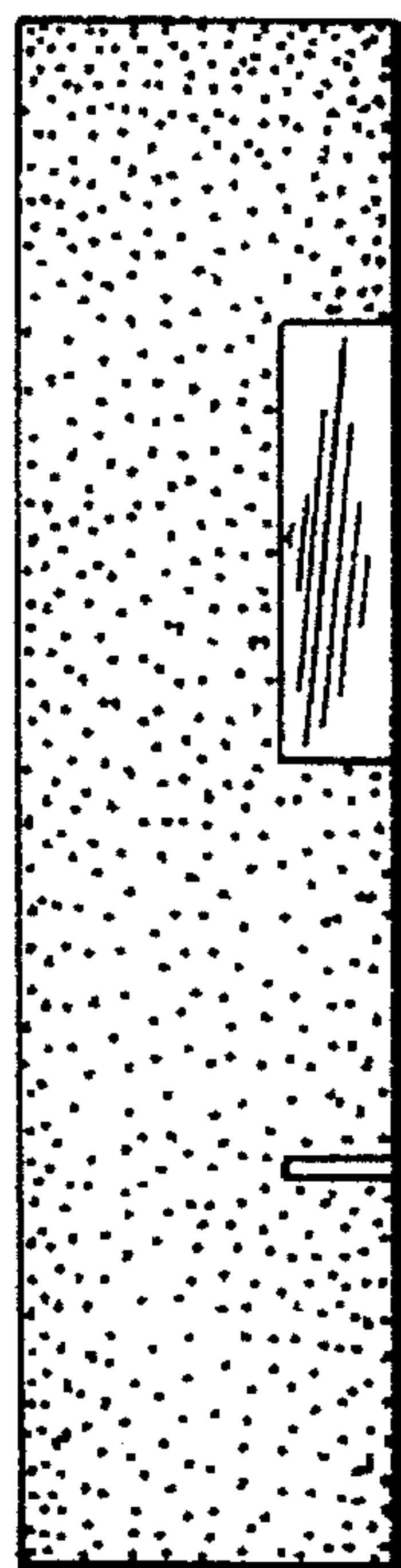


FIG. 5

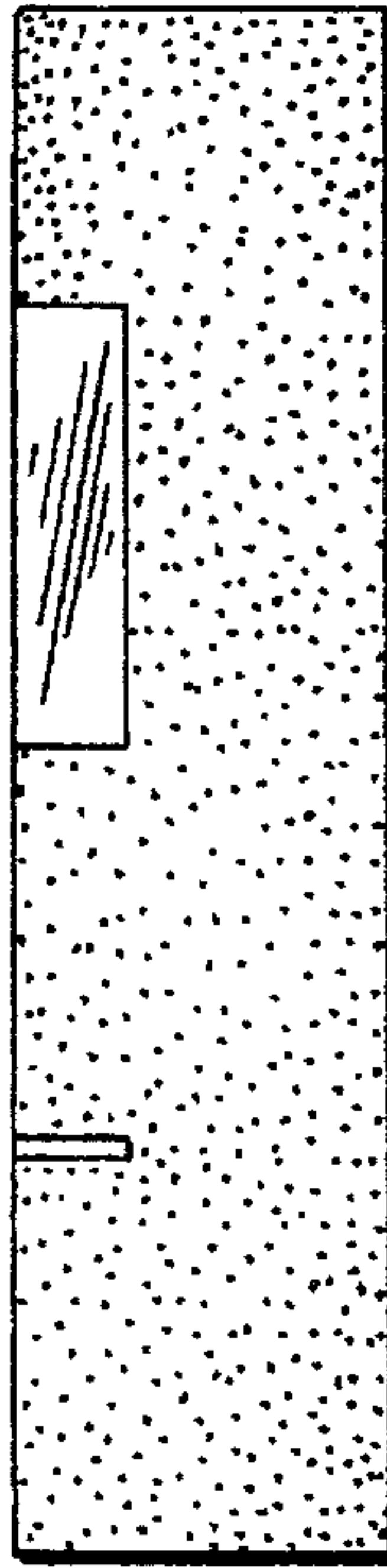


FIG. 6

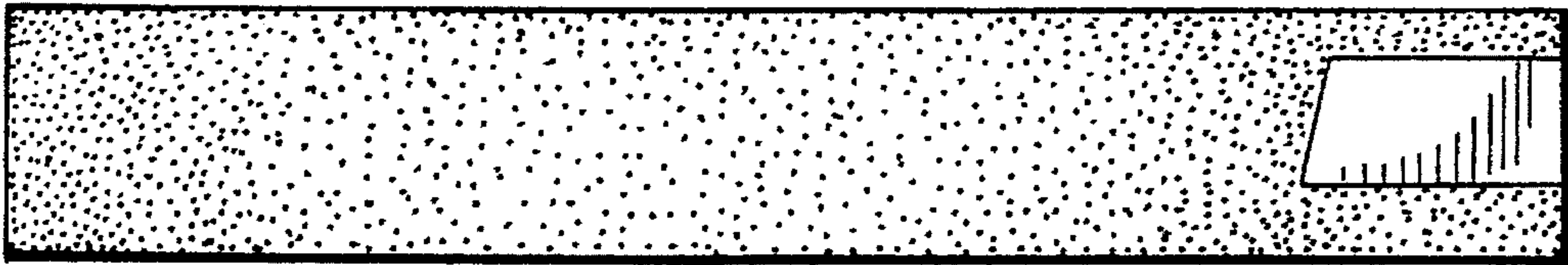


FIG. 7

