



US00D366410S

United States Patent [19]
Schlabach

[11] **Patent Number: Des. 366,410**
[45] **Date of Patent: **Jan. 23, 1996**

[54] **T-RAIL WIRE RETAINER CLIP**
[76] Inventor: **Dennis Schlabach**, P.O. Box 191,
Millersburg, Ohio 44654
[**] Term: **14 Years**
[21] Appl. No.: **18,902**
[22] Filed: **Feb. 16, 1994**
[52] U.S. Cl. **D8/395; D25/121**
[58] Field of Search **D8/395, 396, 354,**
D8/356; 24/334, 336, 338, 339, 563; 248/72,
74.2; D25/121

3,371,900 3/1968 Jacobs 24/336 X
3,491,971 1/1970 Fisher 248/65
4,105,127 8/1978 Höll D25/121 X
5,351,371 10/1994 Deveau, Jr. et al. 24/561

Primary Examiner—Prabhakar G. Deshmukh
Assistant Examiner—Paula Mortimer
Attorney, Agent, or Firm—Oldham & Oldham Co.

[57] **CLAIM**

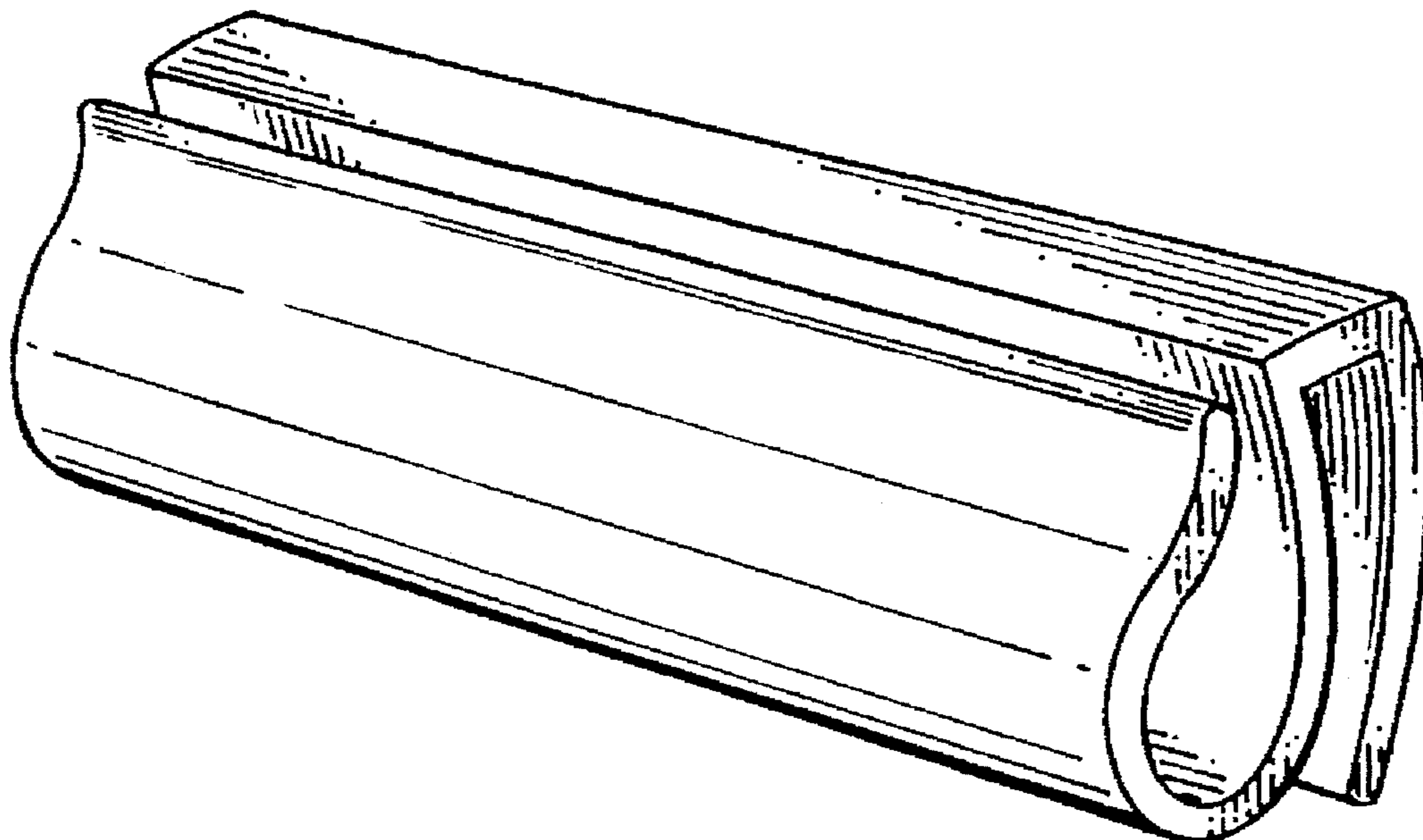
The ornamental design for the T-rail wire retainer clip, as shown and described.

DESCRIPTION

FIG. 1 is a front perspective view of a T rail wire retainer clip showing my new design;
FIG. 2 is a top plan view thereof;
FIG. 3 is a bottom plan view thereof;
FIG. 4 is an end elevational view thereof, the opposite end is a mirror image;
FIG. 5 is a front elevational view; and,
FIG. 6 is a rear elevational view.

[56] **References Cited**
U.S. PATENT DOCUMENTS
D. 156,659 12/1949 Reed D8/395
D. 267,776 2/1983 Holgersson et al. D8/396
D. 340,857 11/1993 Light D8/395
1,428,900 9/1922 Oppenheimer 24/339 X
2,884,478 4/1959 Becker et al. 24/339 X
3,074,677 1/1963 Eckhardt 248/74.1
3,268,191 8/1966 Bridges et al. 248/72

1 Claim, 1 Drawing Sheet



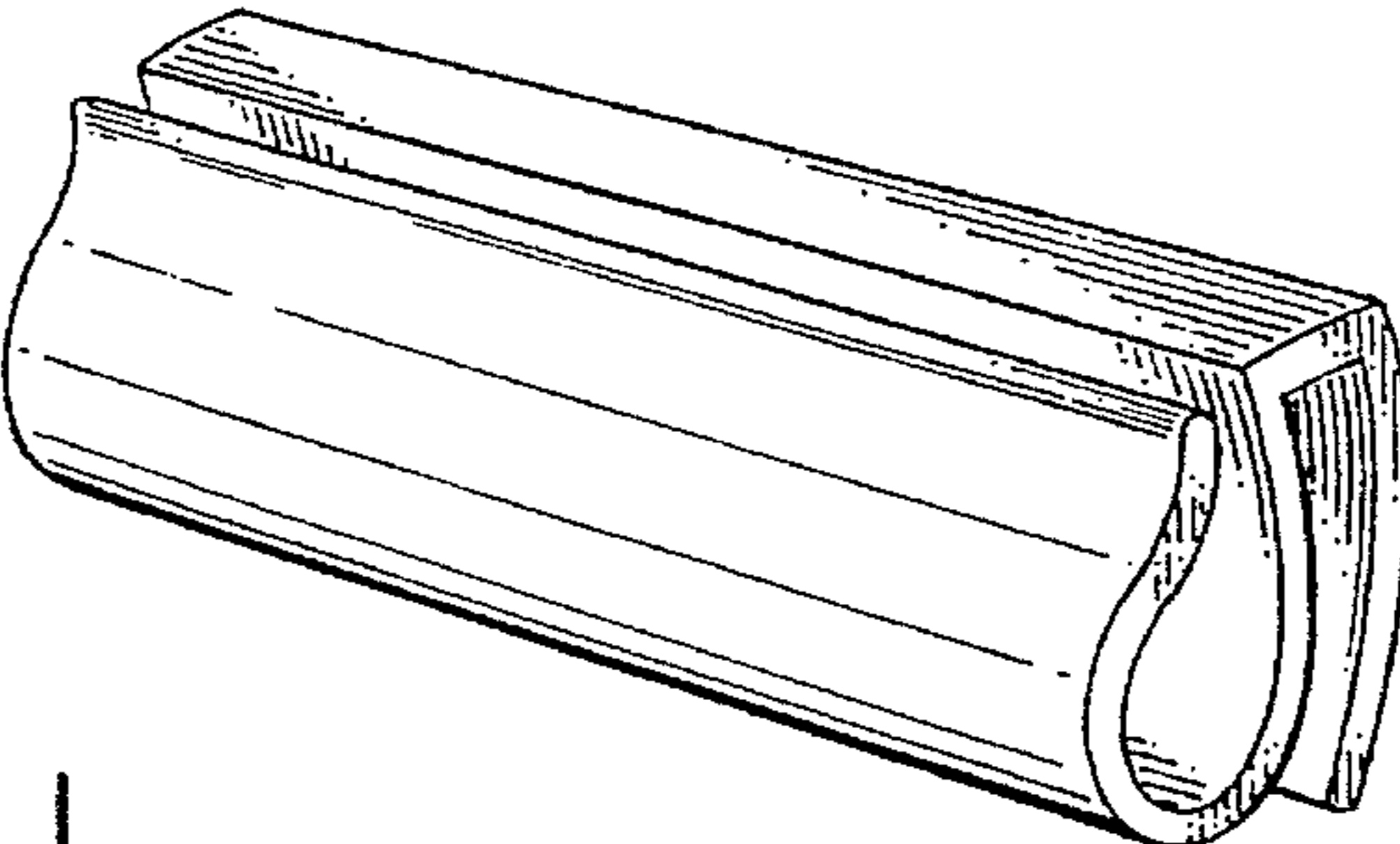


FIG.-1

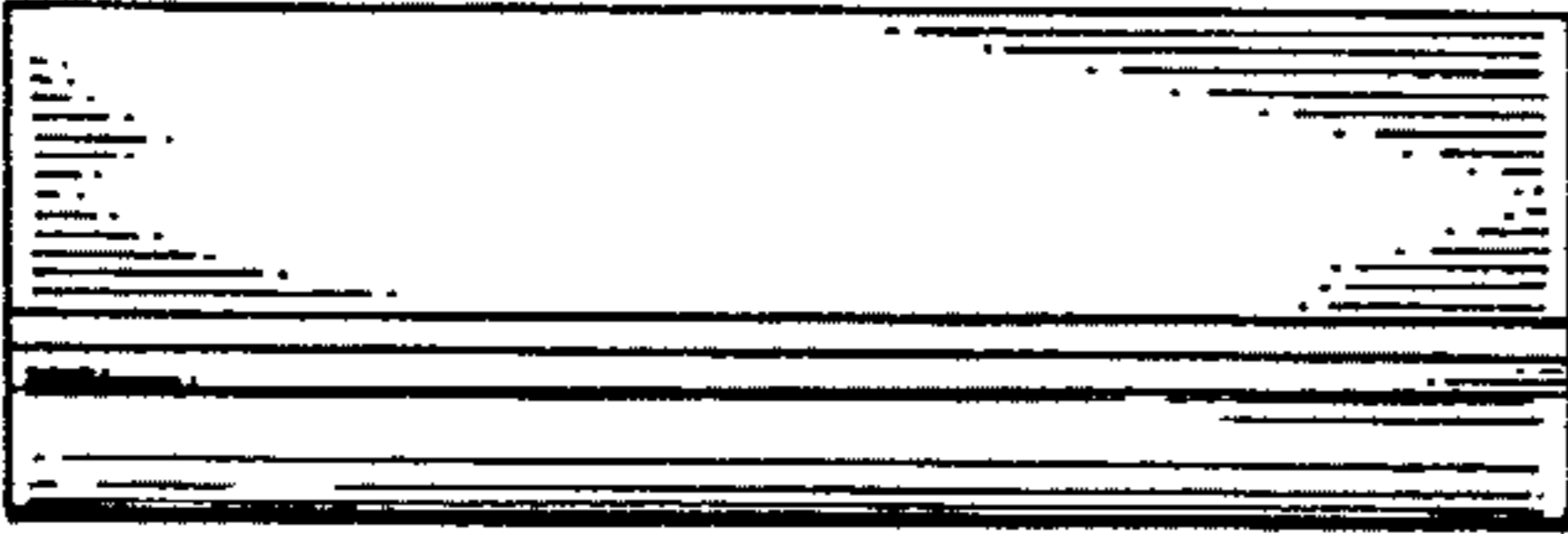


FIG.-2

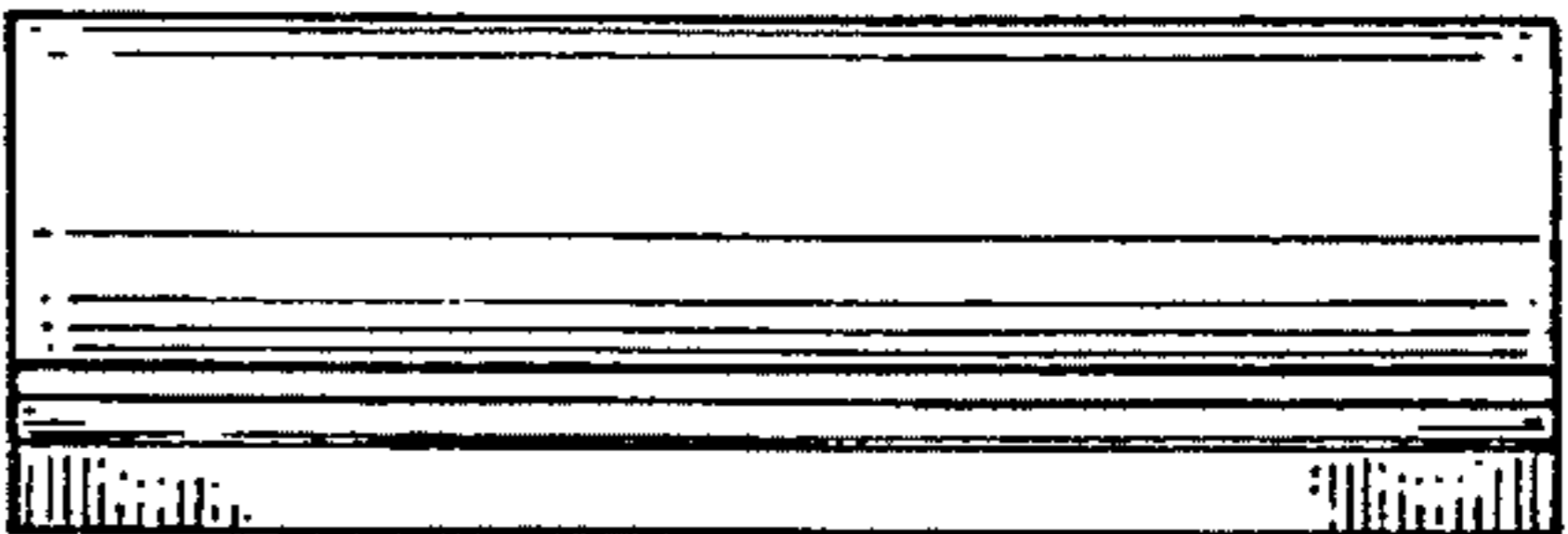


FIG.-3

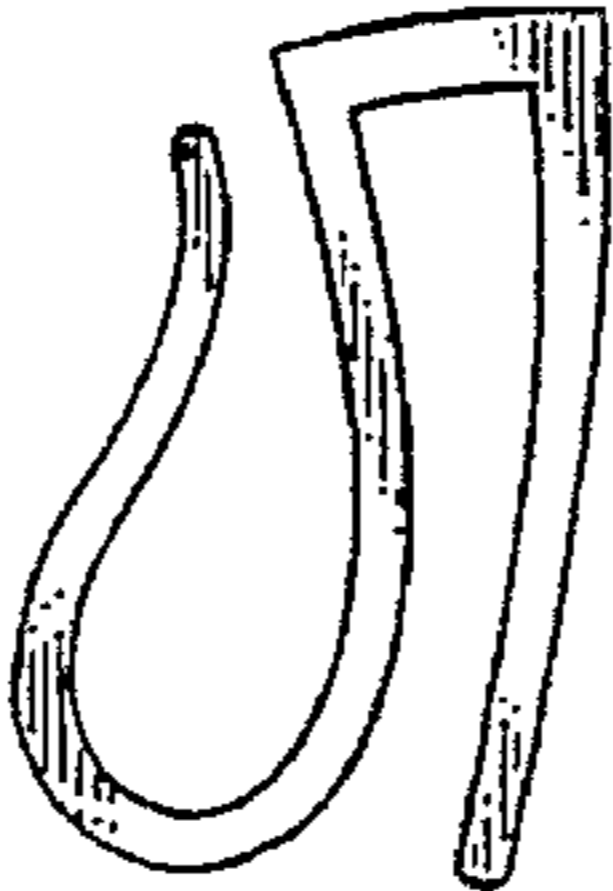


FIG.-4

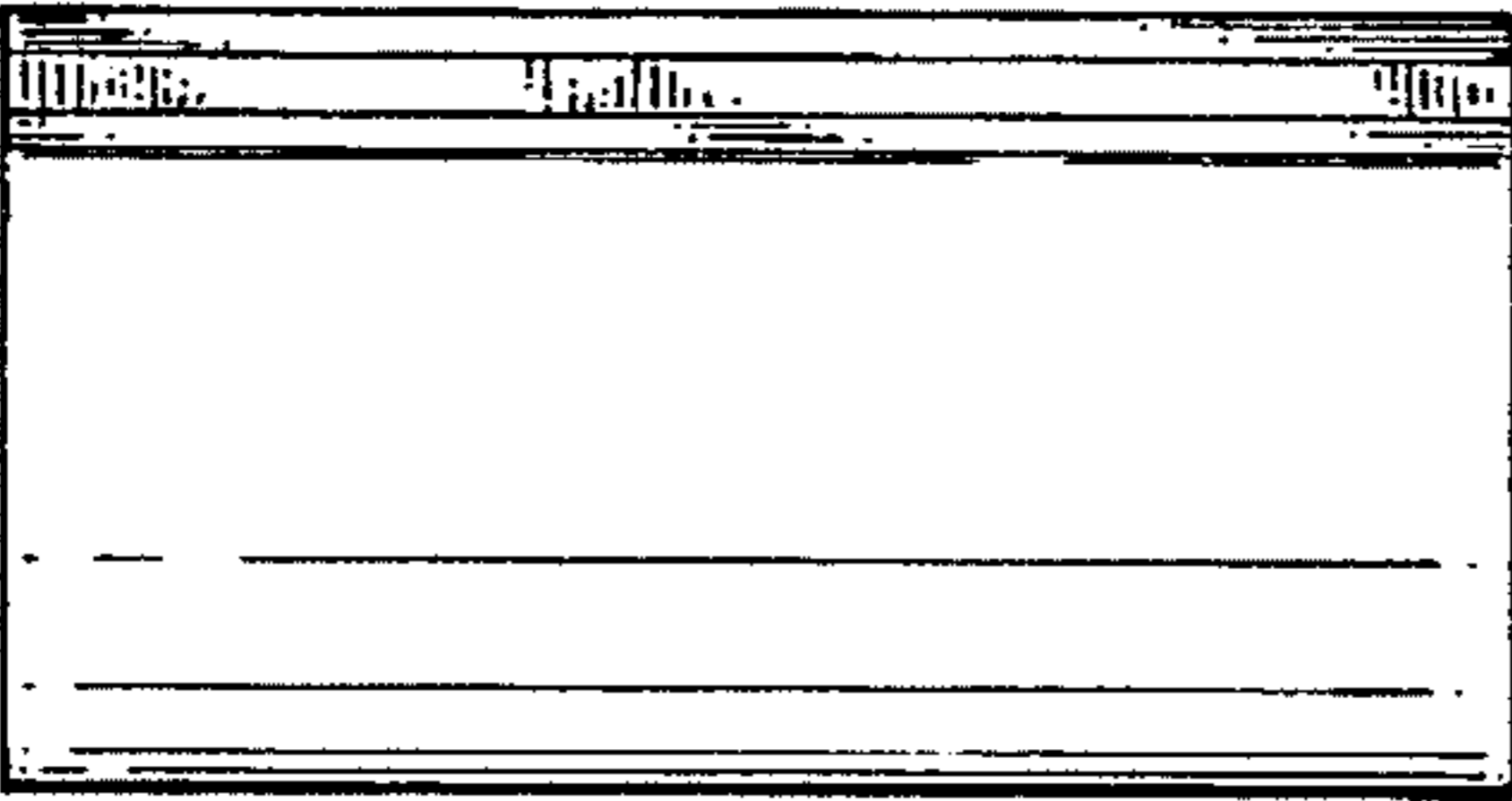


FIG.-5

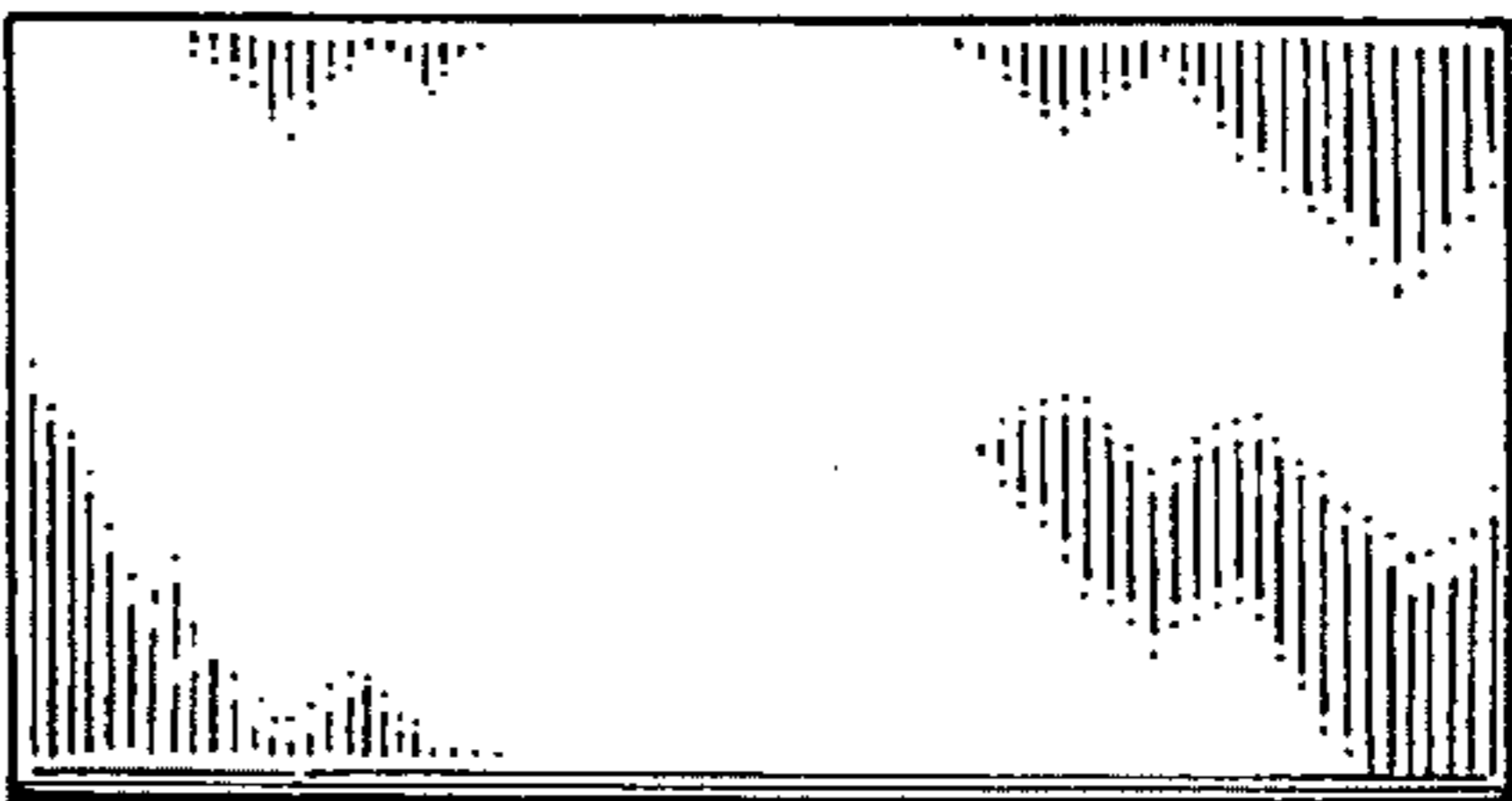


FIG.-6