



US00D366407S

United States Patent [19]

Kendall et al.

[11] Patent Number: **Des. 366,407**

[45] Date of Patent: ****Jan. 23, 1996**

[54] **COMPACT DISC PACKAGING OPENER**

5,007,171 4/1991 Horning, Jr. 30/294
5,127,161 7/1992 Ikeda 30/294

[76] Inventors: **Steven M. Kendall**, 10341 Forest Brook, Unit H, St. Louis, Mo. 63146;
Gordon W. Gosh, 824 Bricken Pl., Warson Woods, Mo. 63122

Primary Examiner—Ted Shooman
Assistant Examiner—Philip Hyder
Attorney, Agent, or Firm—Polster, Lieder, Woodruff & Lucchesi

[**] Term: **14 Years**

[57] **CLAIM**

[21] Appl. No.: **32,579**

The ornamental design for a compact disc packaging opener, as shown and described.

[22] Filed: **Dec. 21, 1994**

[52] U.S. Cl. **D8/98**

DESCRIPTION

[58] Field of Search D8/14, 98; 30/280, 30/294, 282, 314, 315, 287

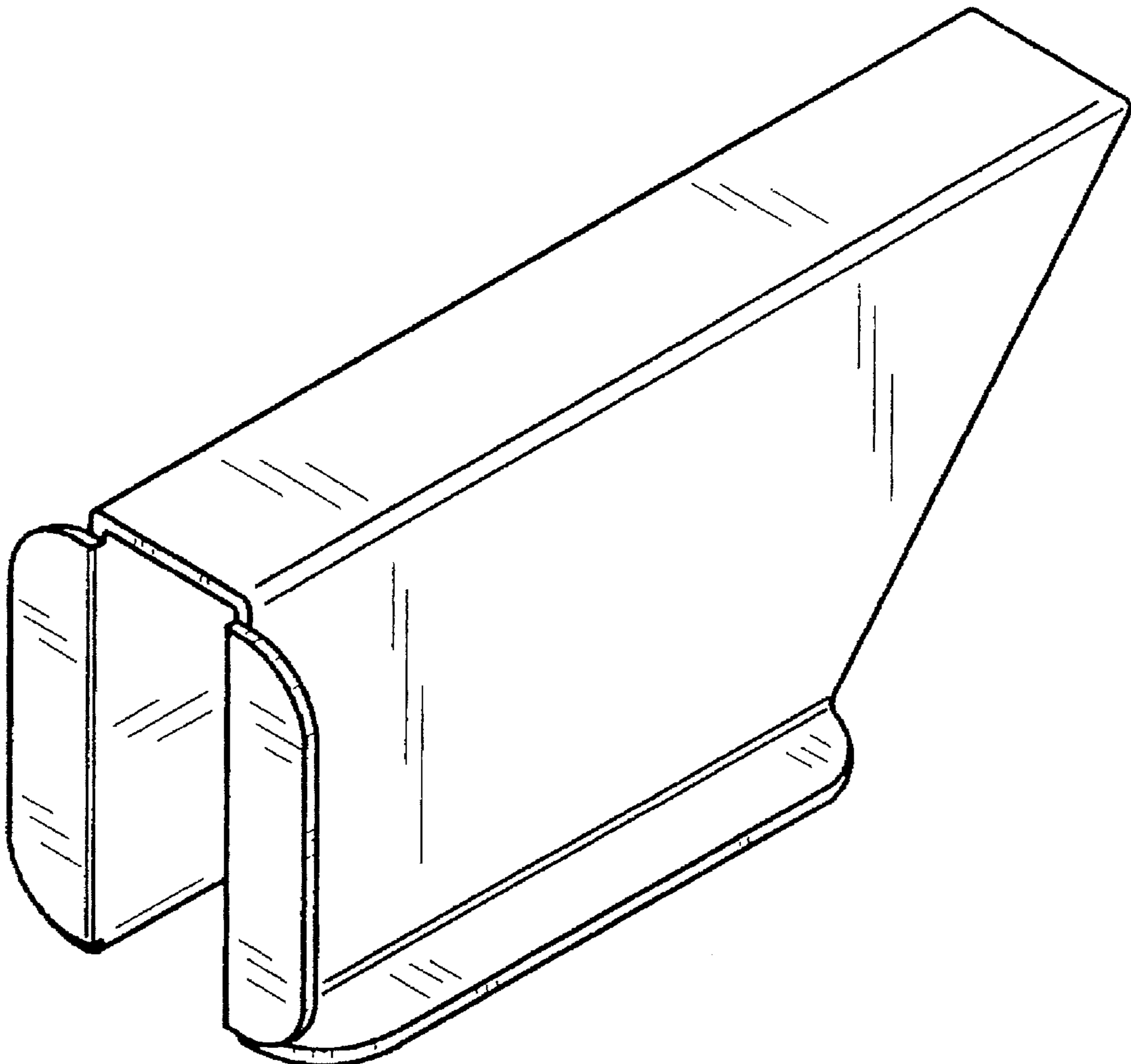
FIG. 1 is a perspective view of a compact disc packaging opener showing our new design;
FIG. 2 is a right side elevational view thereof;
FIG. 3 is a left side elevational view thereof;
FIG. 4 is a rear elevational view thereof;
FIG. 5 is a front elevational view thereof;
FIG. 6 is a top plan view thereof; and,
FIG. 7 is a bottom plan view thereof.

[56] **References Cited**

U.S. PATENT DOCUMENTS

D. 298,102	10/1988	Gugler	D8/98
4,001,934	1/1977	Bell	30/294
4,205,440	6/1980	Morgan	30/294
4,581,823	4/1986	Gilman	30/280
4,711,031	12/1987	Anello	30/294

1 Claim, 1 Drawing Sheet



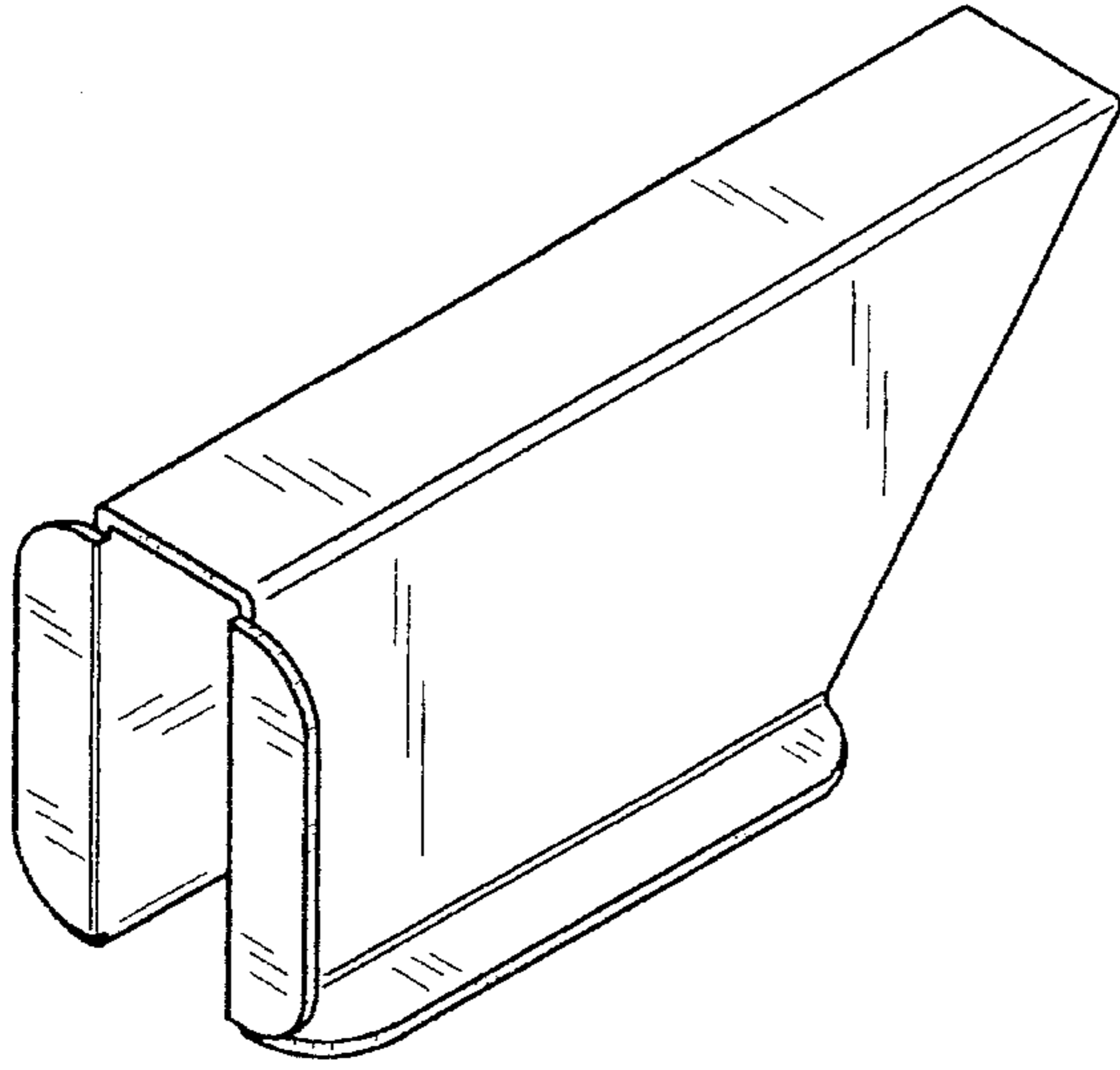


FIG. 1

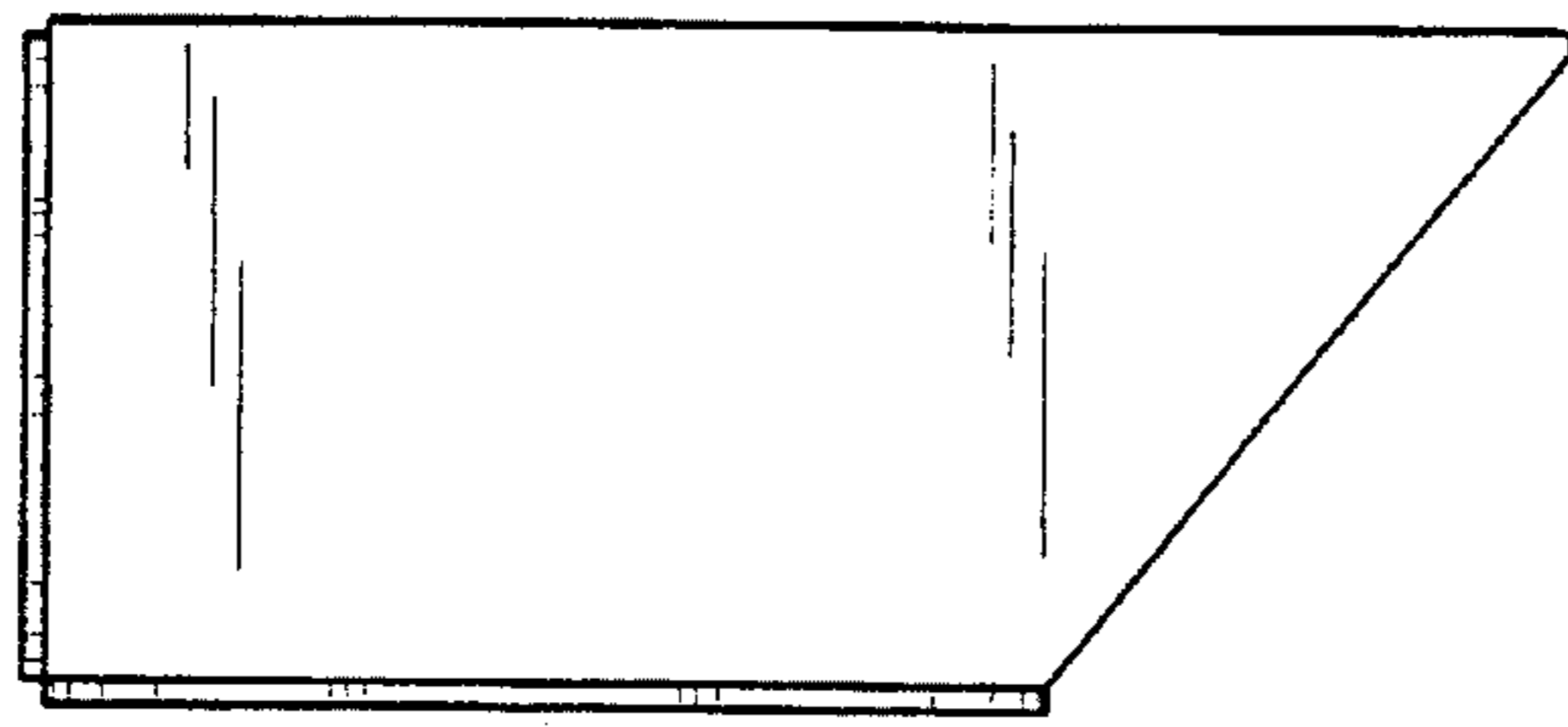


FIG. 2

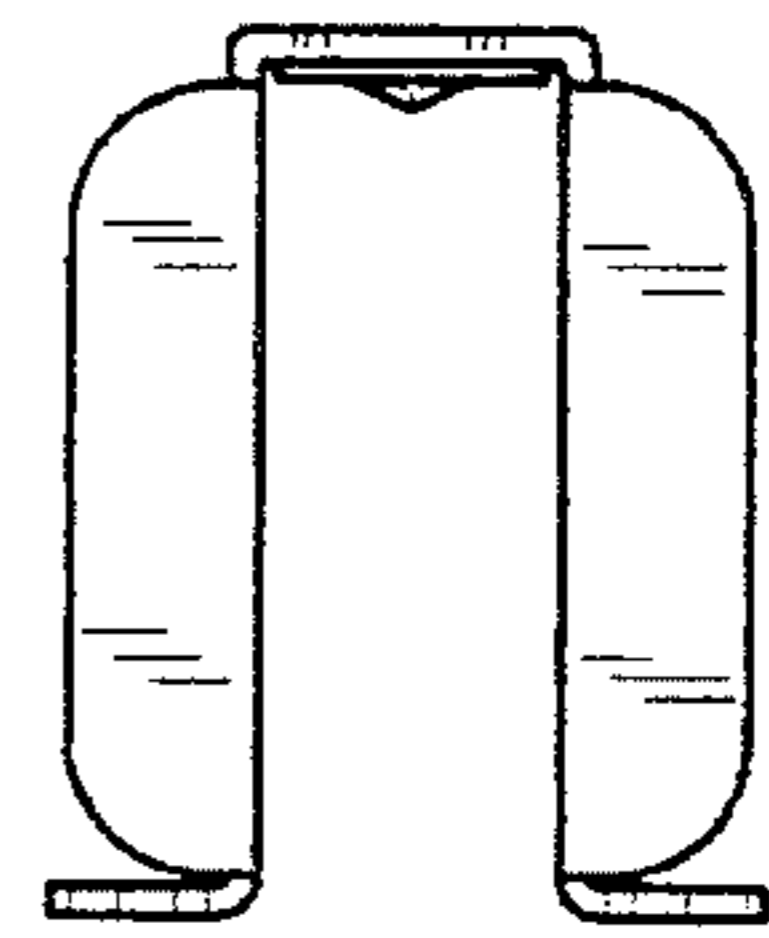


FIG. 4

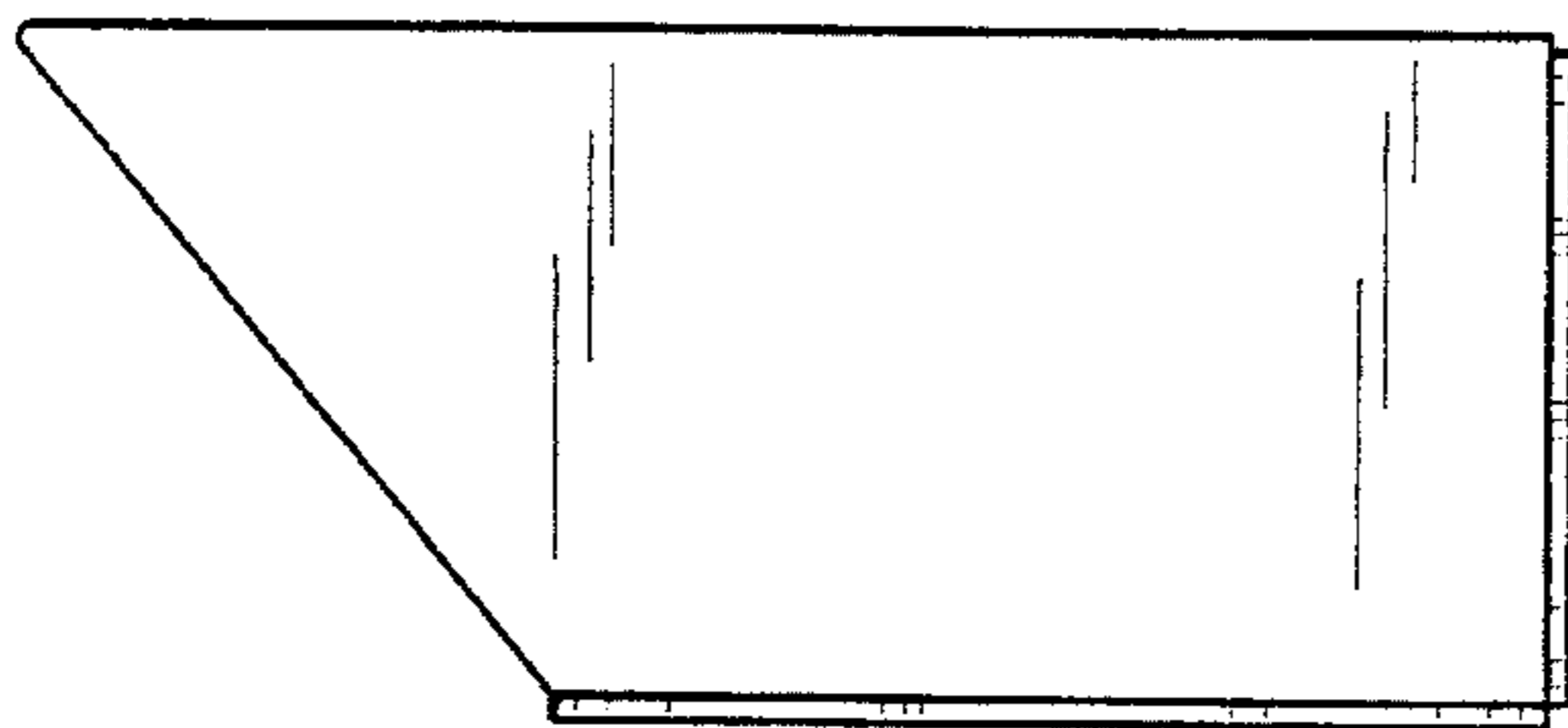


FIG. 3

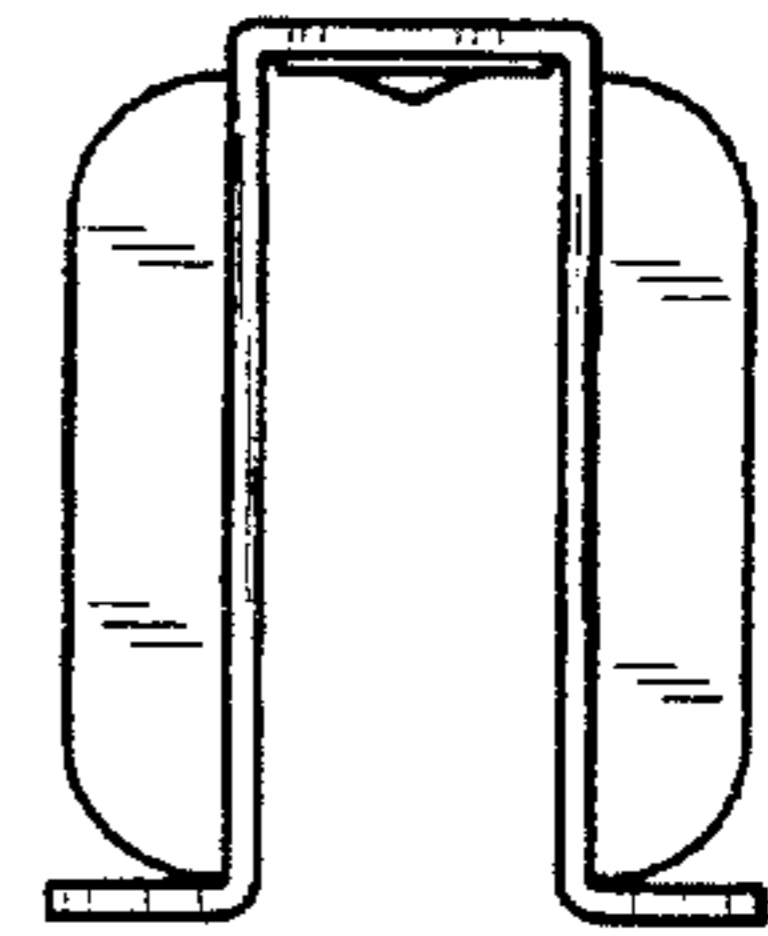


FIG. 5

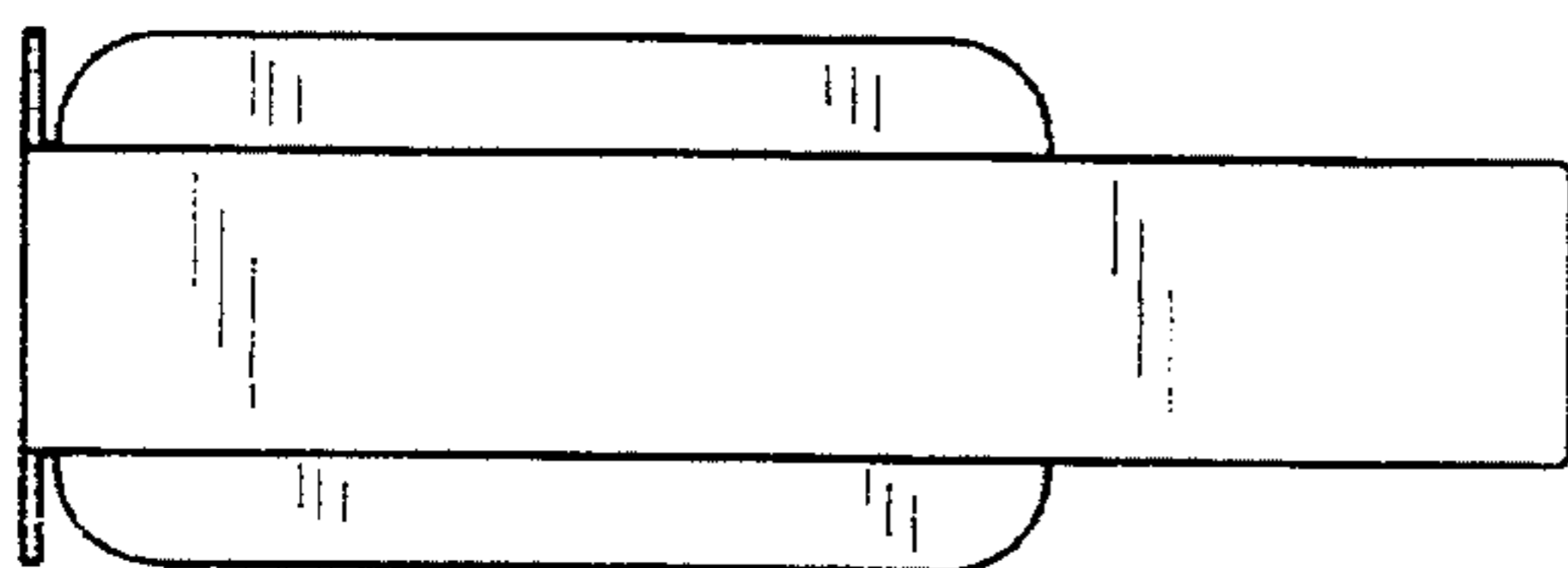


FIG. 6

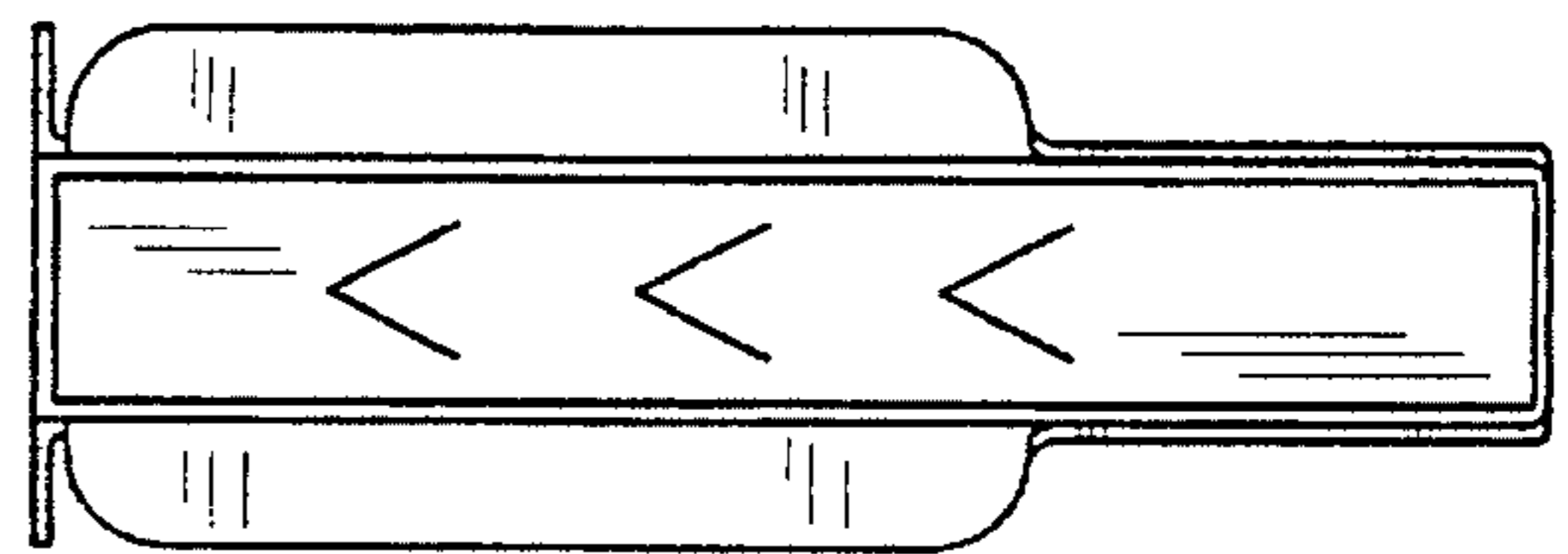


FIG. 7