



US00D366403S

United States Patent [19]
Yearwood

[11] **Patent Number: Des. 366,403**
[45] **Date of Patent: **Jan. 23, 1996**

[54] **ELECTRIC FENCE WIRE INSULATOR TOOL**

4,823,650 4/1989 Tuttle .

[76] Inventor: **M. Deon Yearwood**, Rte. 2, Box 23,
Hydro, Okla. 73048

Primary Examiner—Ted Shooman
Assistant Examiner—Richelle Shelton
Attorney, Agent, or Firm—Robert K. Rhea

[**] Term: **14 Years**

[57] **CLAIM**

[21] Appl. No.: **30,559**

The ornamental design for an electric fence wire insulator tool, as shown.

[22] Filed: **Nov. 1, 1994**

[52] **U.S. Cl.** **D8/27; D13/132**

[58] **Field of Search** **D8/21-29; D13/132;**
81/119, 124.2, 176.1, 176.15, 176.2; 174/163 F

DESCRIPTION

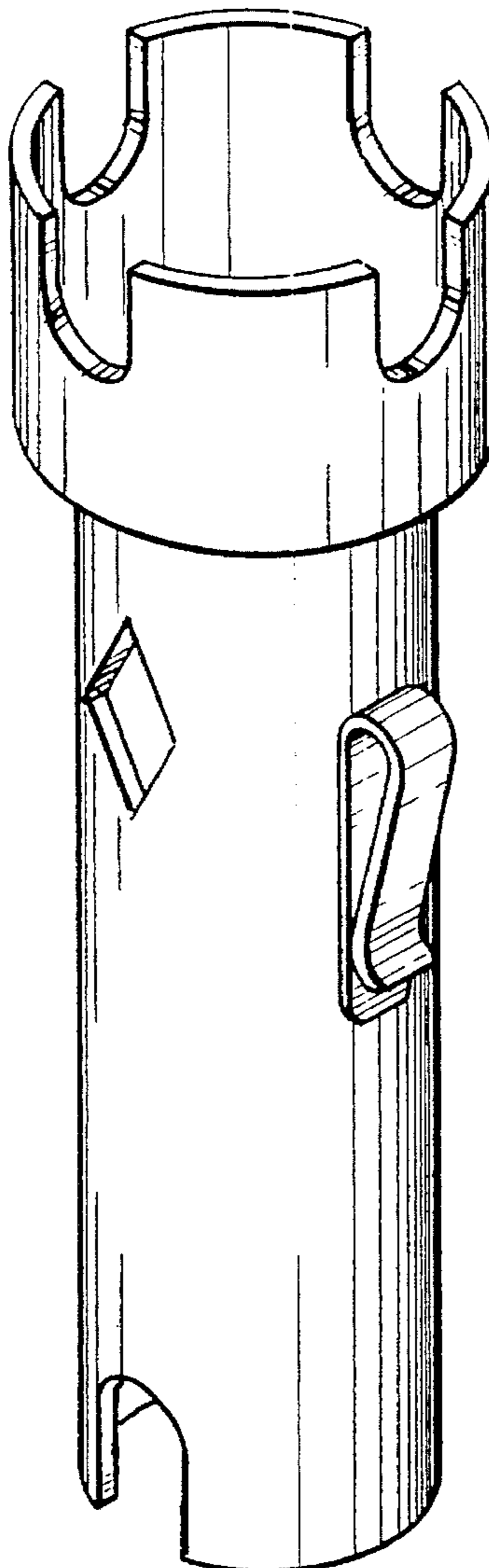
FIG. 1 is a perspective view showing my new design for an electric fence wire insulator tool;
FIG. 2 is a front elevation view thereof, drawn at a reduced scale;
FIG. 3 is a rear elevation view thereof;
FIG. 4 is a right-side elevational view thereof;
FIG. 5 is a left-side elevational view thereof;
FIG. 6 is a top view thereof; and,
FIG. 7 is a bottom view thereof.

[56] **References Cited**

U.S. PATENT DOCUMENTS

D. 299,613	1/1989	Laurie	D8/29
D. 353,756	12/1994	Graves	D8/29
2,544,058	3/1951	Watkins	.	
2,895,362	7/1959	Jamgotchian	81/119
3,071,995	1/1963	Ruthrauff	.	

1 Claim, 1 Drawing Sheet



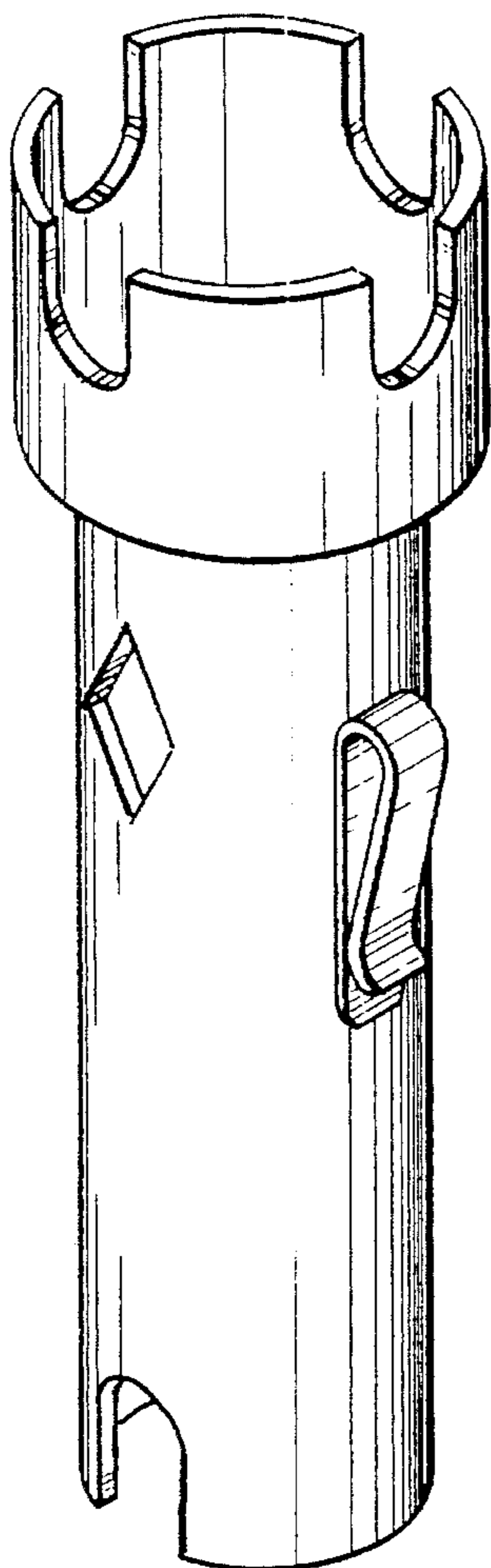


FIG. 1

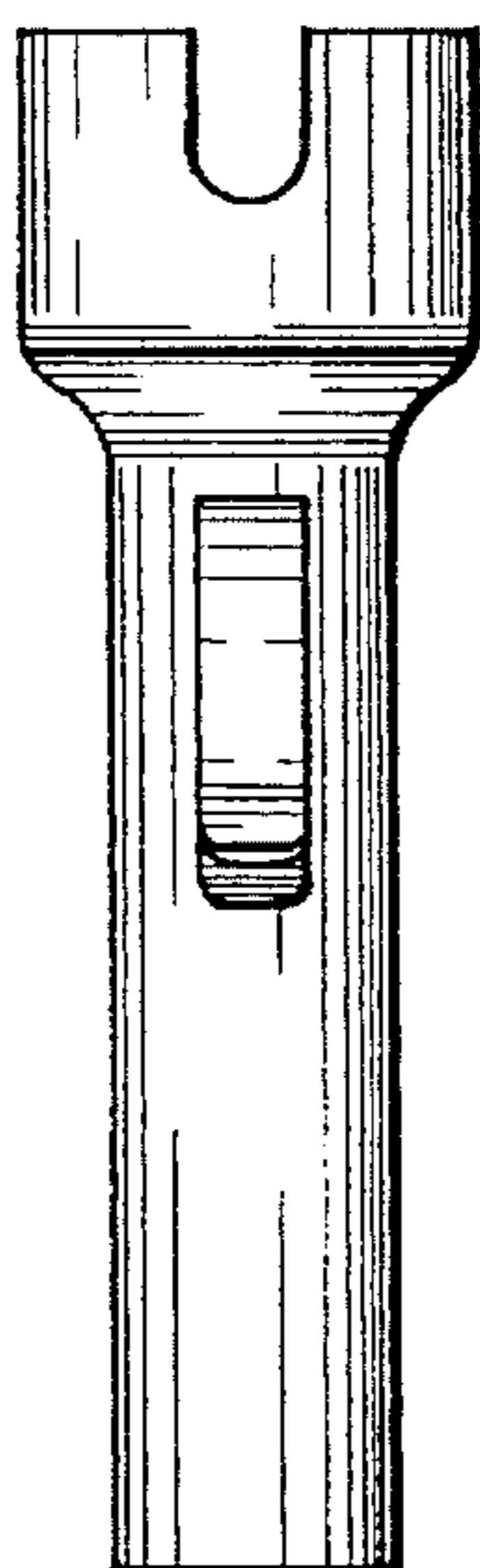


FIG. 2

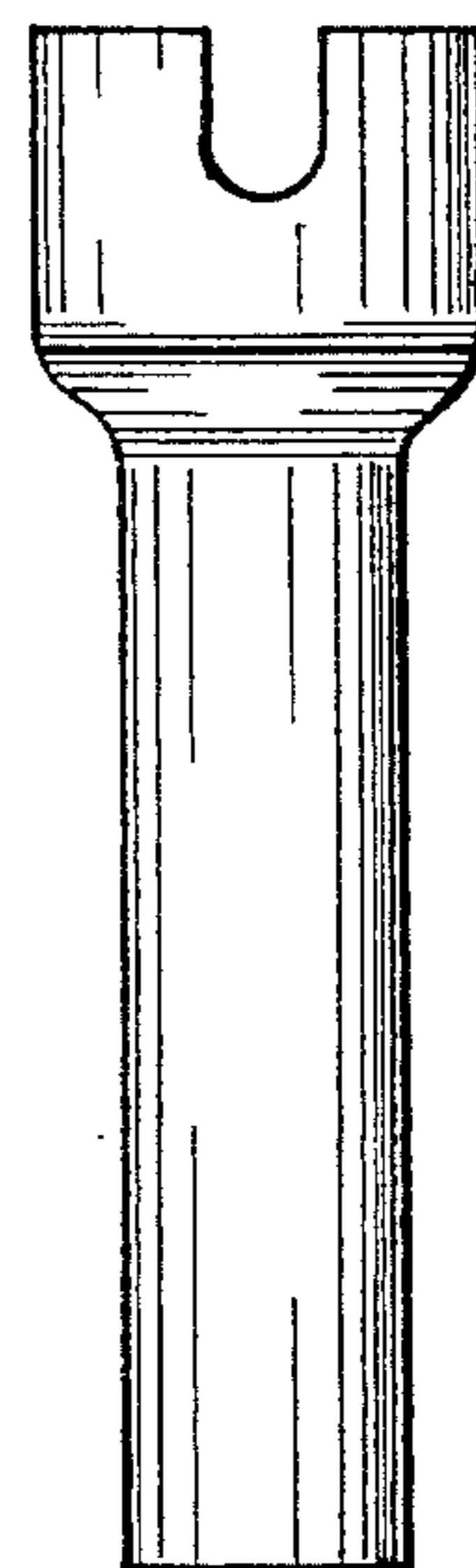


FIG. 3

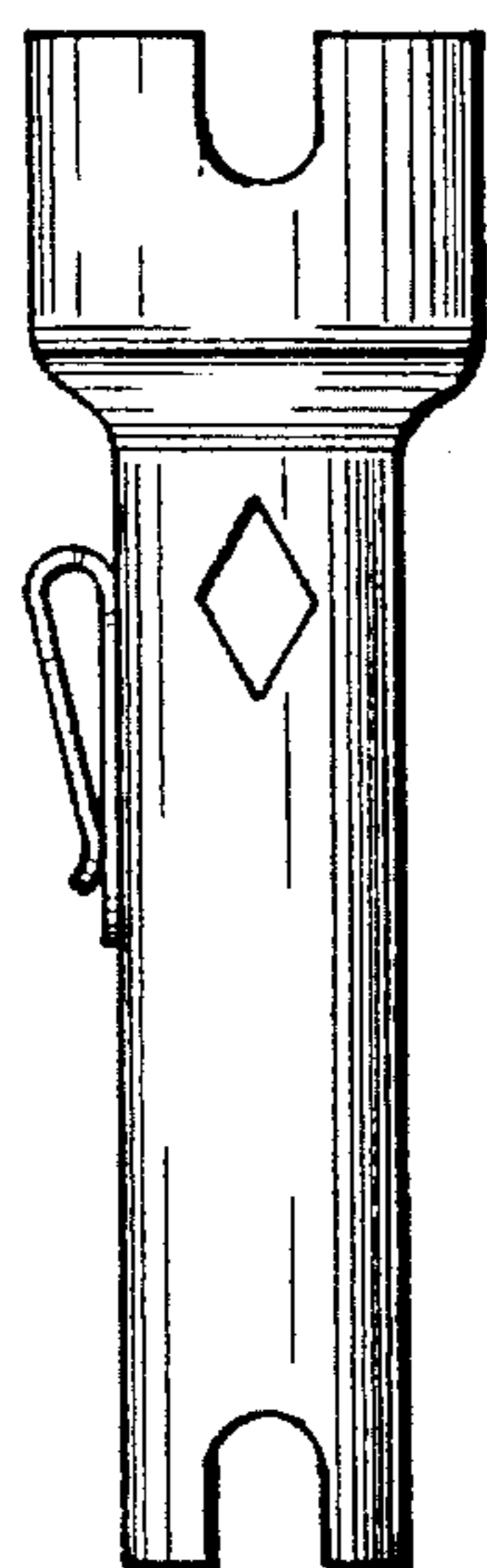


FIG. 4

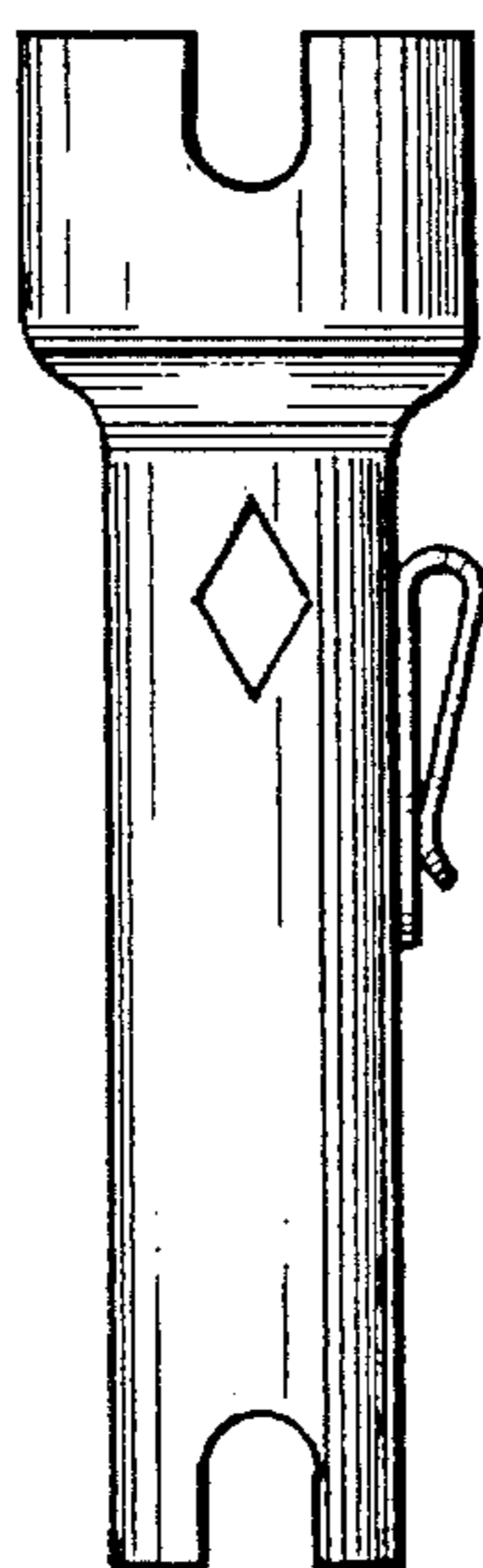


FIG. 5

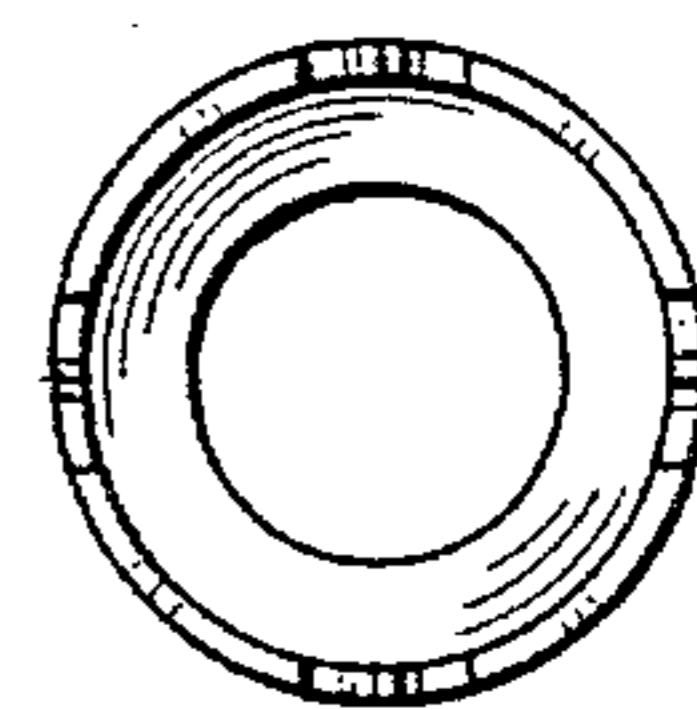


FIG. 6

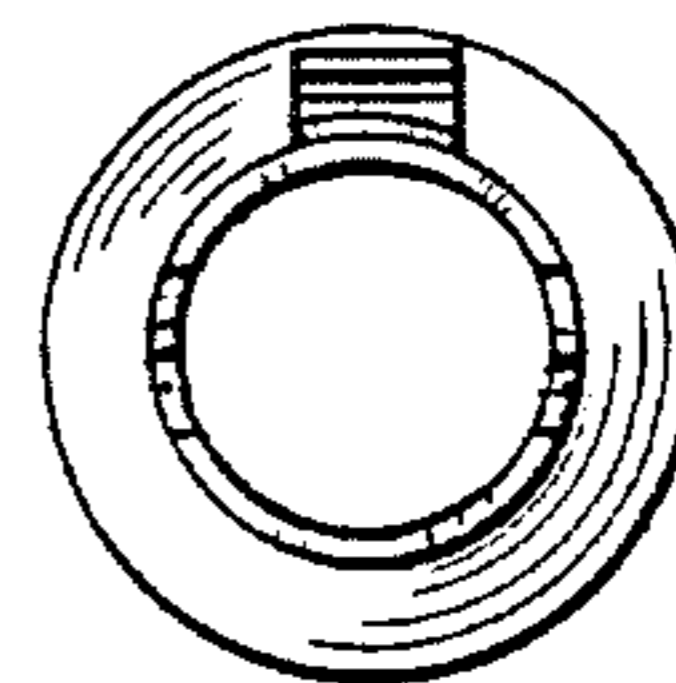


FIG. 7