



US00D366399S

United States Patent [19]
LaBocchetta

[11] **Patent Number: Des. 366,399**

[45] **Date of Patent: **Jan. 23, 1996**

[54] **FOOD HANDLING TONGS**

4,904,009 2/1990 Kozlinski D7/687 X
5,335,591 8/1994 Pozar D7/666

[76] Inventor: **Alfred LaBocchetta**, 3412 W.
Schoolhouse La., Philadelphia, Pa.
19144

Primary Examiner—Terry A. Wallace
Attorney, Agent, or Firm—Michael F. Petock

[**] Term: **14 Years**

[57] **CLAIM**

[21] Appl. No.: **22,945**

The ornamental design is for a food handling tongs, as shown and described.

[22] Filed: **May 16, 1994**

DESCRIPTION

[52] U.S. Cl. **D7/687**

[58] Field of Search D7/683-692; 100/234;
294/1.1, 7, 8, 16, 25, 118, 902

FIG. 1 is a perspective view of a food handling tongs showing my new design;
FIG. 2 is a left side elevation view thereof, the opposite side being identical;
FIG. 3 is a rear elevation view thereof;
FIG. 4 is a front elevation view thereof;
FIG. 5 is a bottom plan view thereof; and,
FIG. 6 is a top plan view thereof.

[56] **References Cited**

U.S. PATENT DOCUMENTS

D. 158,837	6/1950	Brown	D7/687
1,661,974	3/1928	Simon	294/8
3,566,424	3/1971	Burbig	294/7
3,817,163	6/1974	Kizziar et al.	D7/687 X

1 Claim, 2 Drawing Sheets

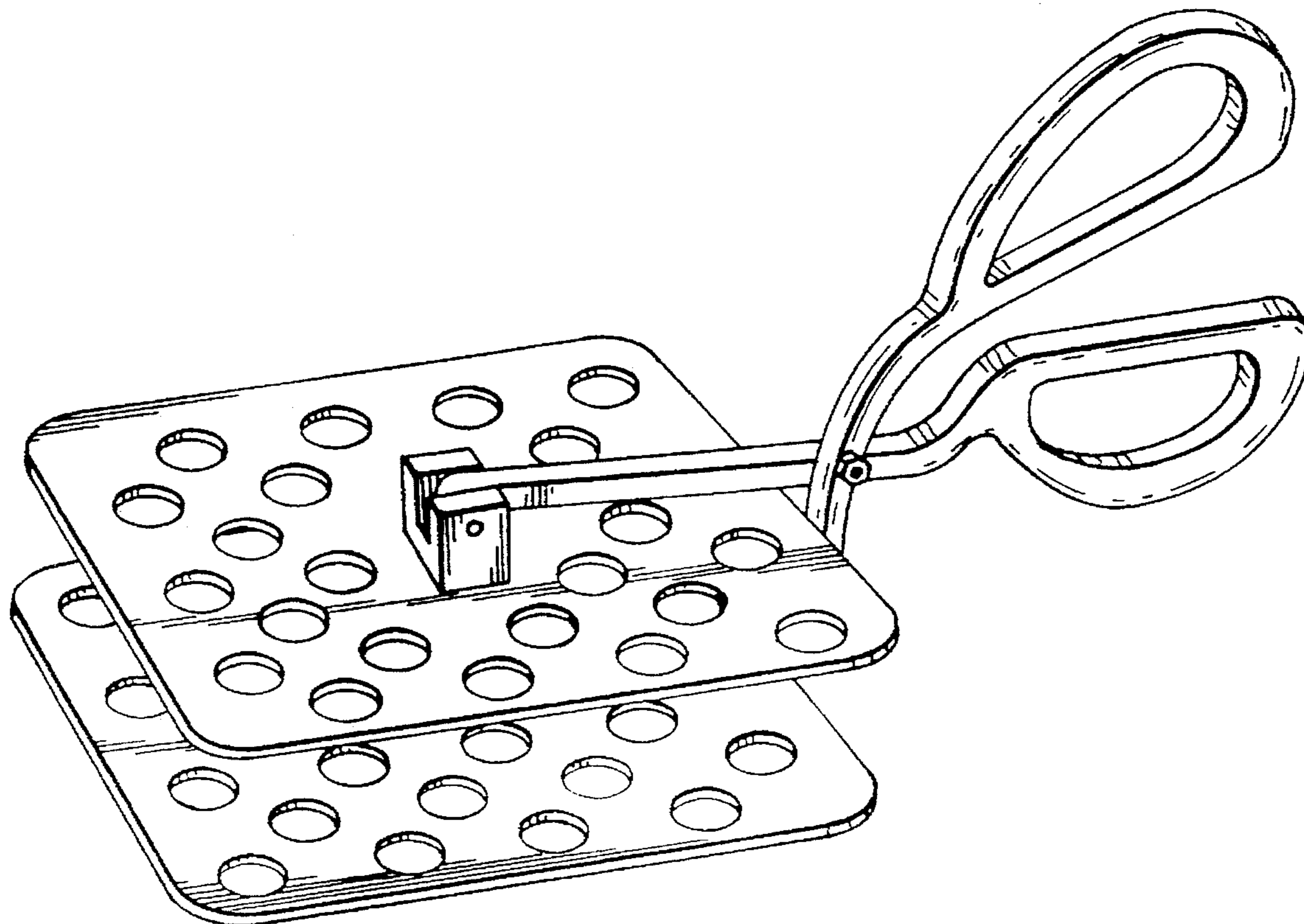


FIG. 1

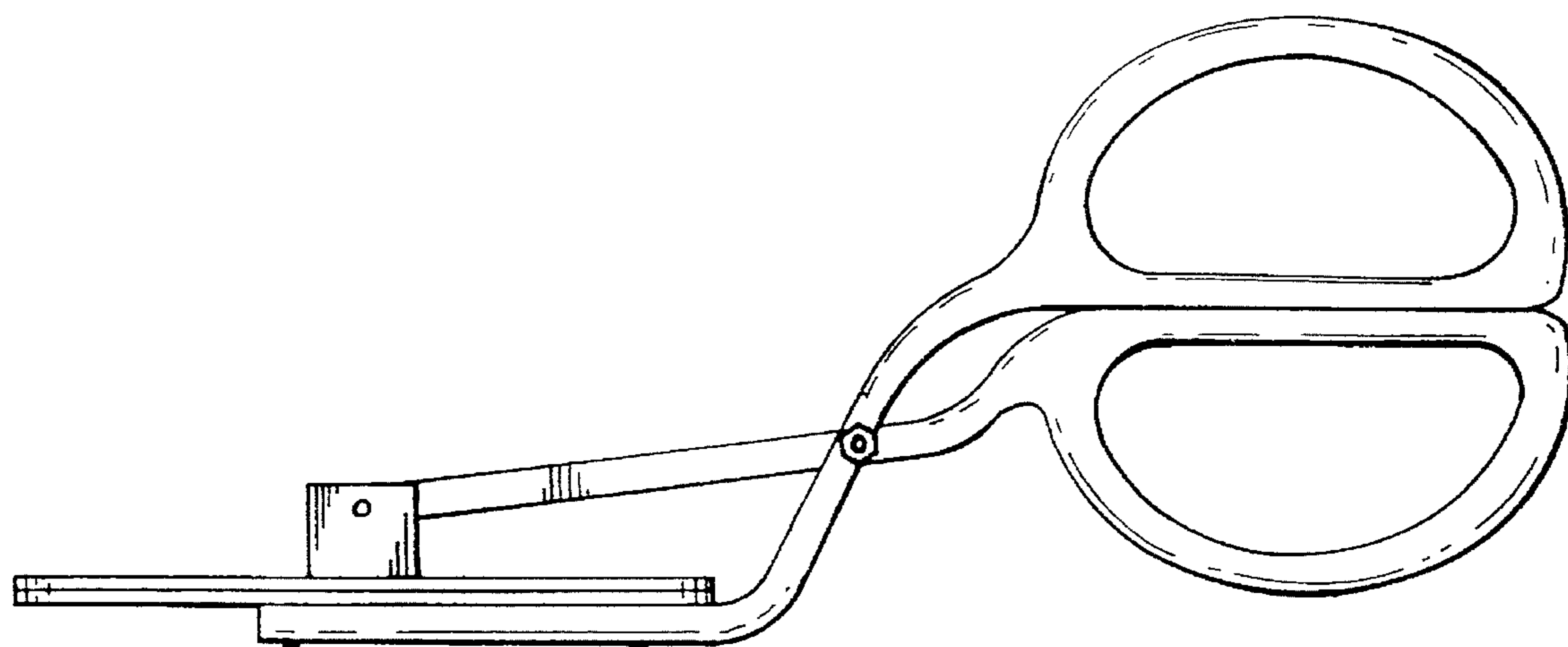
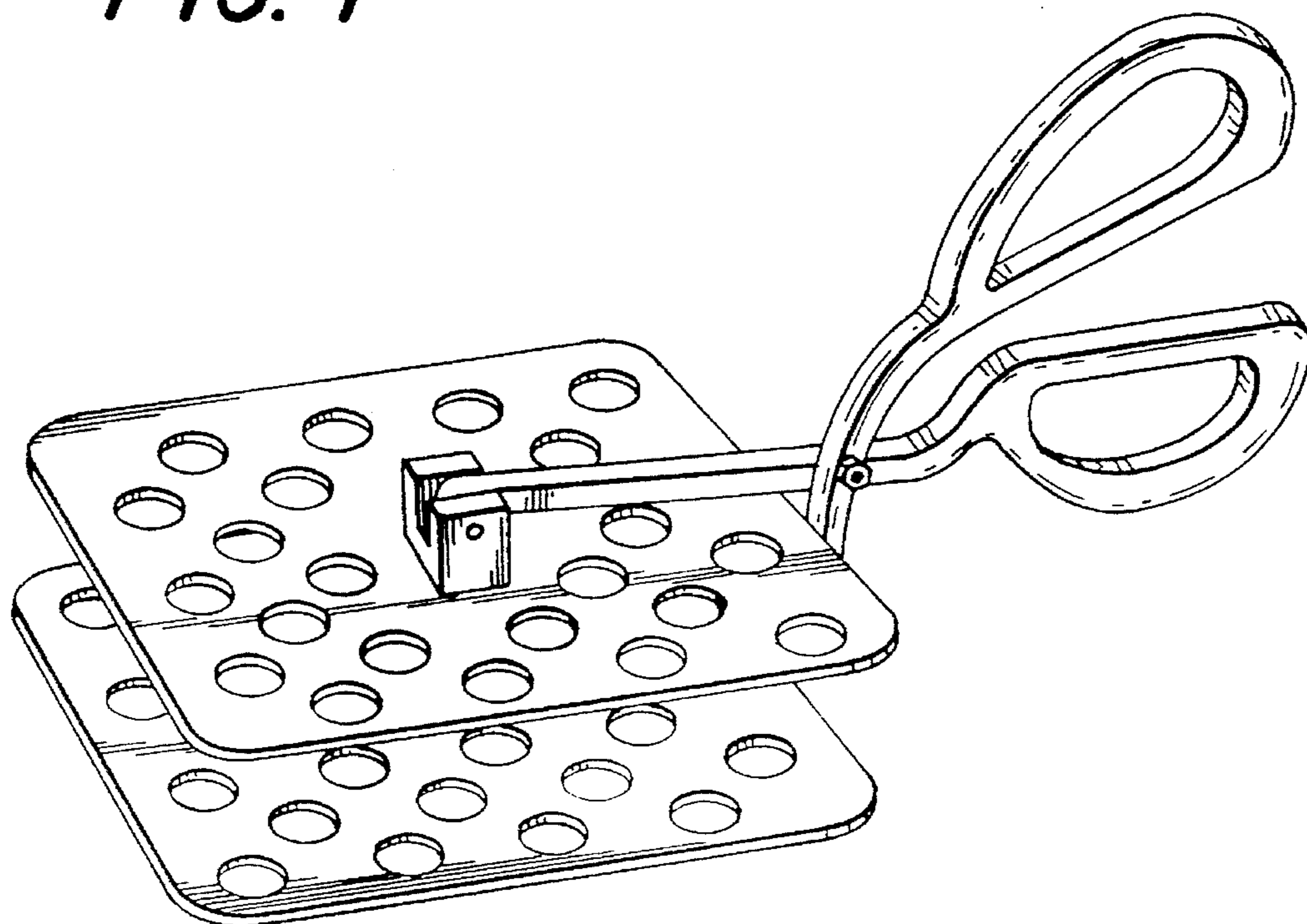


FIG. 2

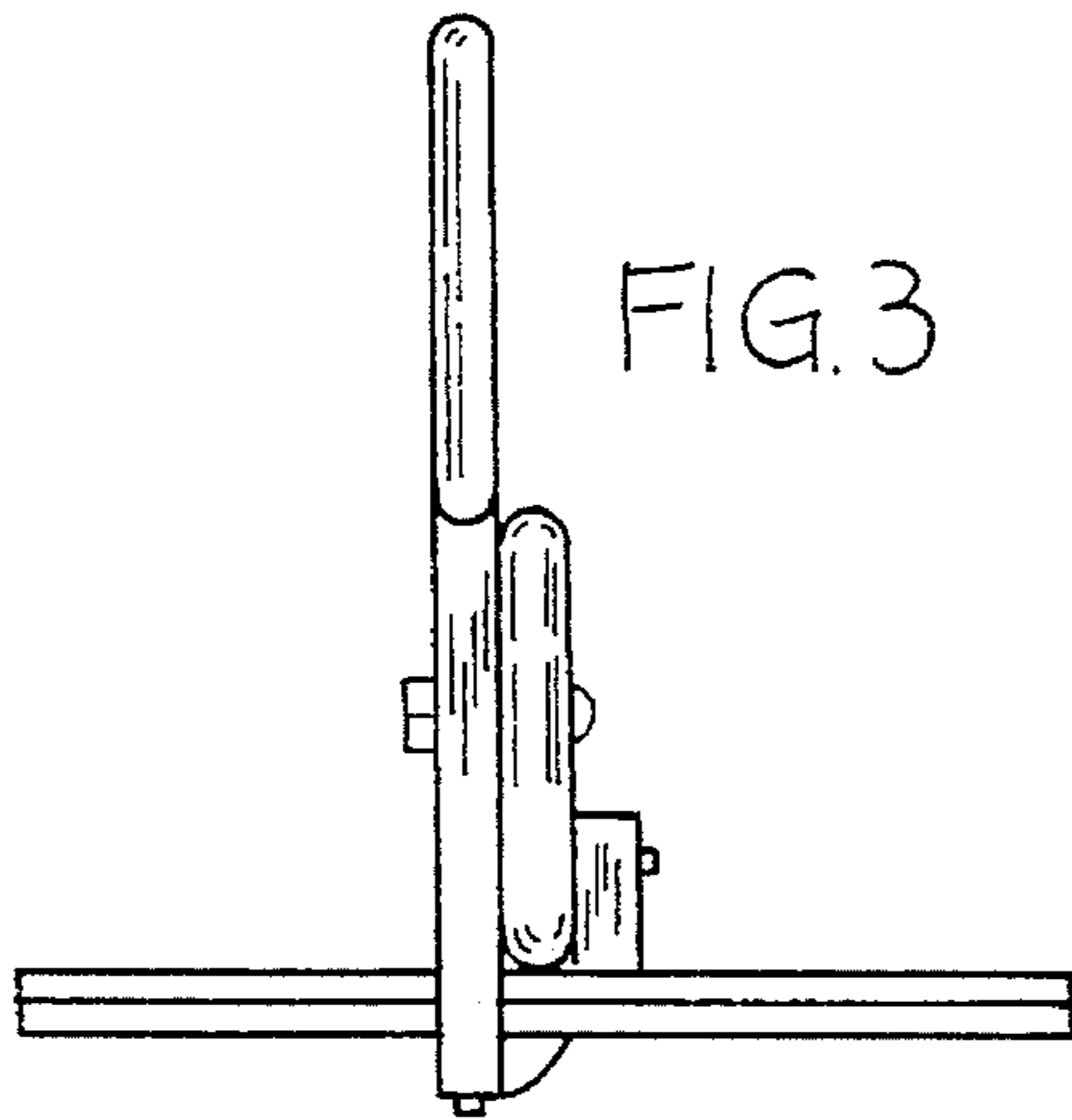


FIG. 3

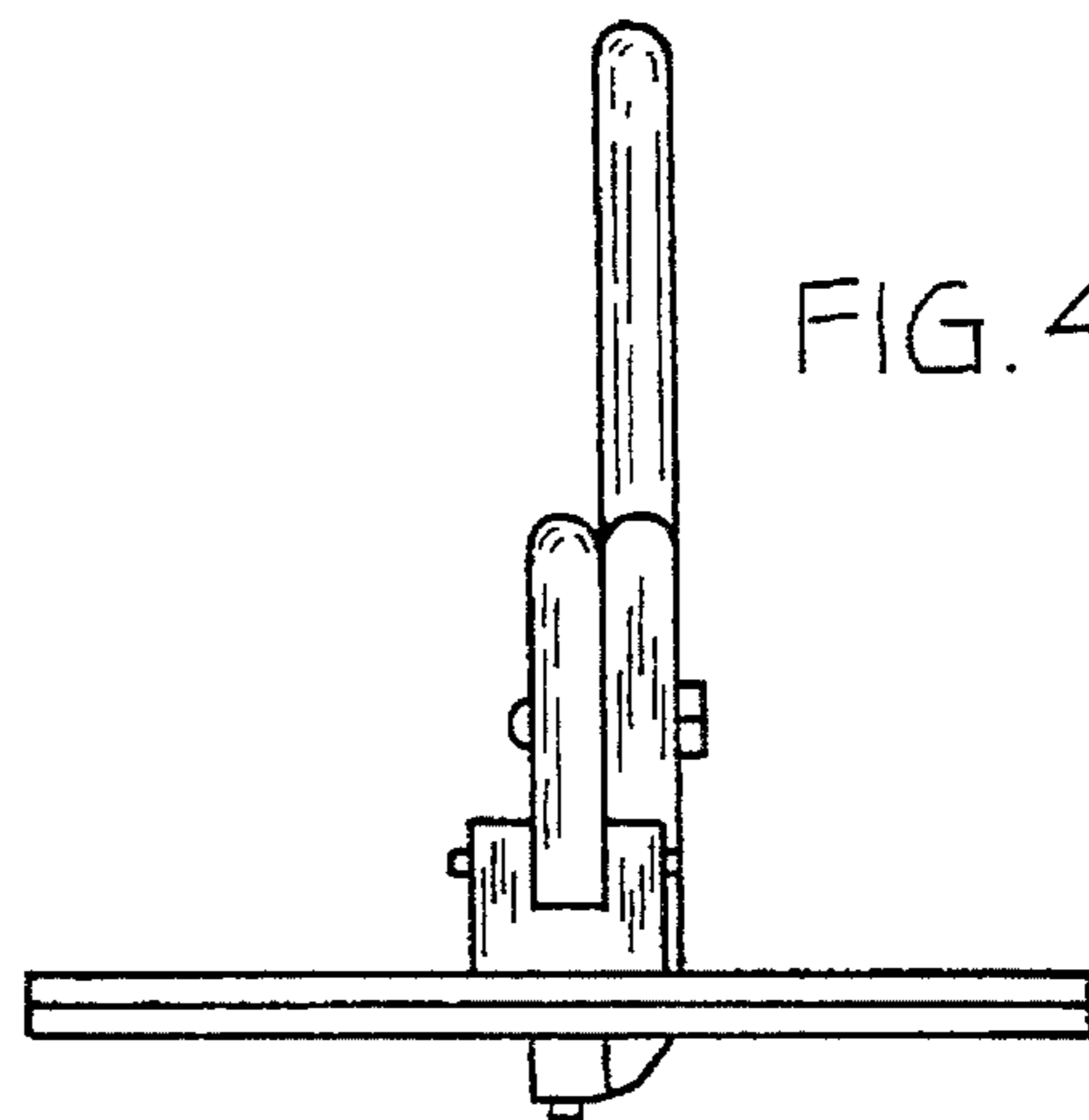


FIG. 4

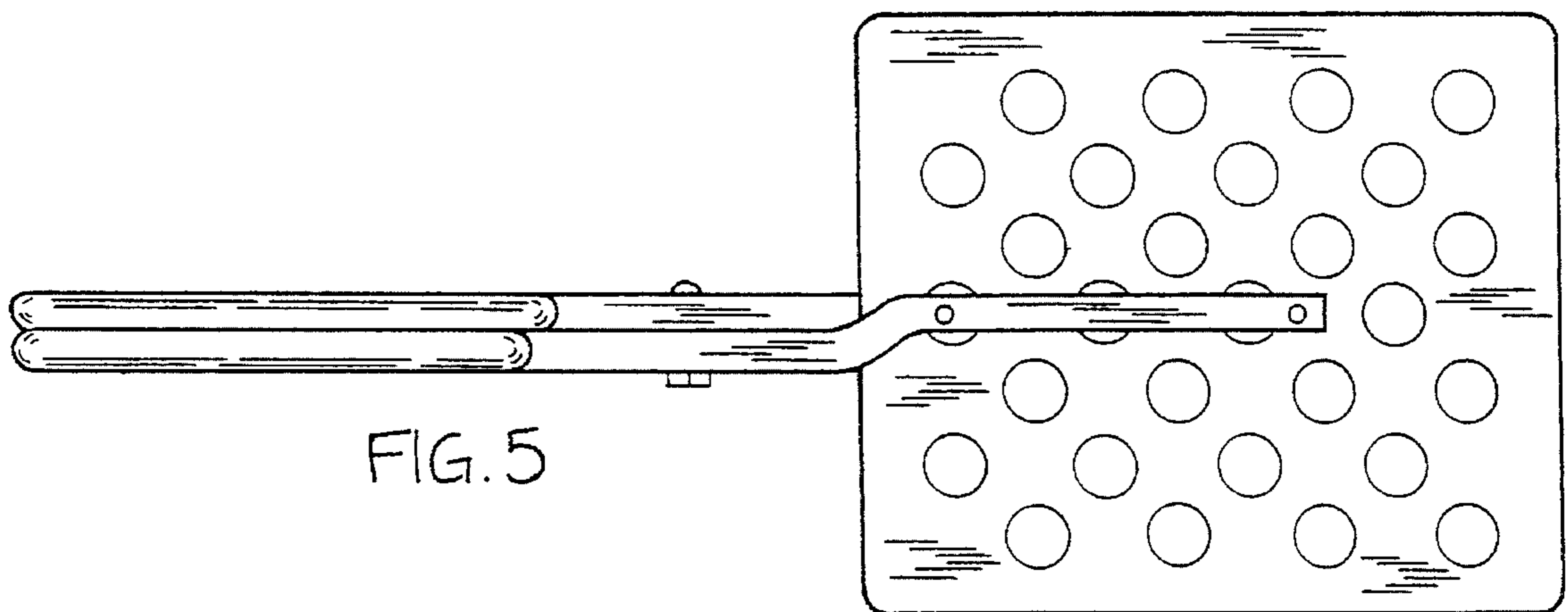


FIG. 5

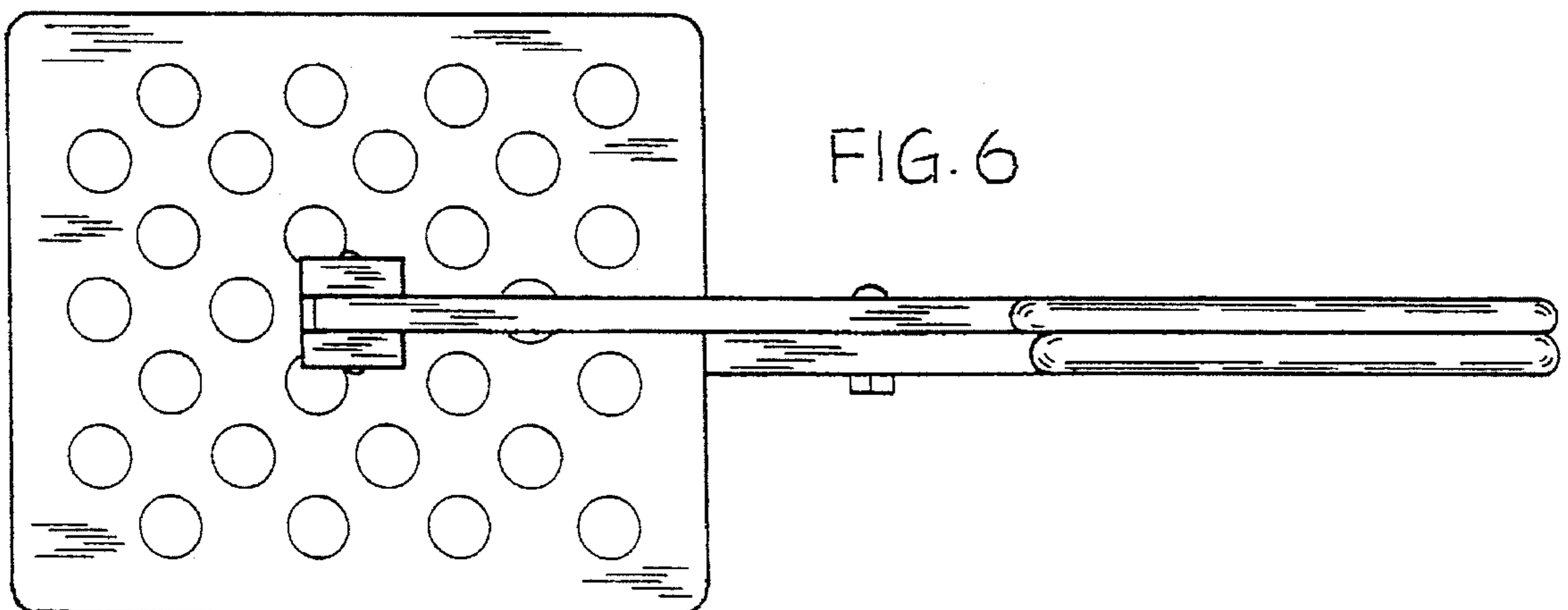


FIG. 6