



US00D366395S

# United States Patent [19]

[11] Patent Number: **Des. 366,395**

Wyatt et al.

[45] Date of Patent: **\*\*Jan. 23, 1996**

[54] **PARTY TRAY**

[75] Inventors: **William B. Wyatt**, Brentwood; **Steven A. Silverstein**, Nashville, both of Tenn.

[73] Assignee: **Aladdin Synergetics, Inc.**, Nashville, Tenn.

[\*\*] Term: **14 Years**

[21] Appl. No.: **26,806**

[22] Filed: **Aug. 5, 1994**

[52] U.S. Cl. .... **D7/554; D7/553; D7/555**

[58] Field of Search ..... **D7/505, 507, 550, D7/553, 554, 555, 557, 587, 571, 551, 556, 584, 586; D6/406; 220/DIG. 12, DIG. 26, 678, 697, 738, 636, 750, 912, 914; 206/561, 564**

1,595,356 8/1926 Moseman .  
 2,240,020 4/1941 Raiser .  
 2,372,872 4/1945 Wolper .  
 2,561,022 7/1951 Jones .  
 2,764,005 10/1951 Harris .  
 2,911,681 11/1959 Distler ..... 220/DIG. 12 X  
 2,920,804 1/1960 Minton .  
 2,932,437 4/1960 Wilcox .  
 4,117,948 10/1978 Collins ..... D7/505 X  
 4,732,274 3/1988 Bouton .  
 4,823,958 4/1989 Mahmud .  
 4,828,112 5/1989 Vollrath et al. .  
 4,832,202 5/1989 Newman et al. .  
 5,207,743 5/1993 Costarella et al. .  
 5,215,203 6/1993 Malcolm .  
 5,259,528 11/1993 Pace et al. .

*Primary Examiner*—Janice E. Seeger  
*Assistant Examiner*—M. N. Pandozzi  
*Attorney, Agent, or Firm*—Sandler, Greenblum & Bernstein

[56] **References Cited**  
 U.S. PATENT DOCUMENTS

D. 53,651 7/1919 Adams .  
 D. 211,532 6/1968 Ashton .  
 D. 219,935 2/1971 Kurer ..... D7/587  
 D. 224,674 8/1972 Ashton ..... D7/505  
 D. 249,916 10/1978 Collins ..... D7/505  
 D. 278,197 4/1985 Harper .  
 D. 286,250 10/1986 Prescott ..... D7/557  
 D. 297,799 9/1988 Hammer .  
 D. 303,194 9/1989 Darby et al. .  
 D. 311,662 10/1990 Lorenzana et al. .  
 D. 314,678 2/1991 Ali ..... D6/406

[57] **CLAIM**  
 The ornamental design for a party tray, as shown.

### DESCRIPTION

FIG. 1 is a perspective view of the party tray;  
 FIG. 2 is a top plan view thereof;  
 FIG. 3 is a bottom plan view thereof;  
 FIG. 4 is a front elevational view thereof;  
 FIG. 5 is rear elevational view thereof;  
 FIG. 6 is a right side elevational view thereof; and,  
 FIG. 7 is a left side elevational view thereof.

1 Claim, 2 Drawing Sheets

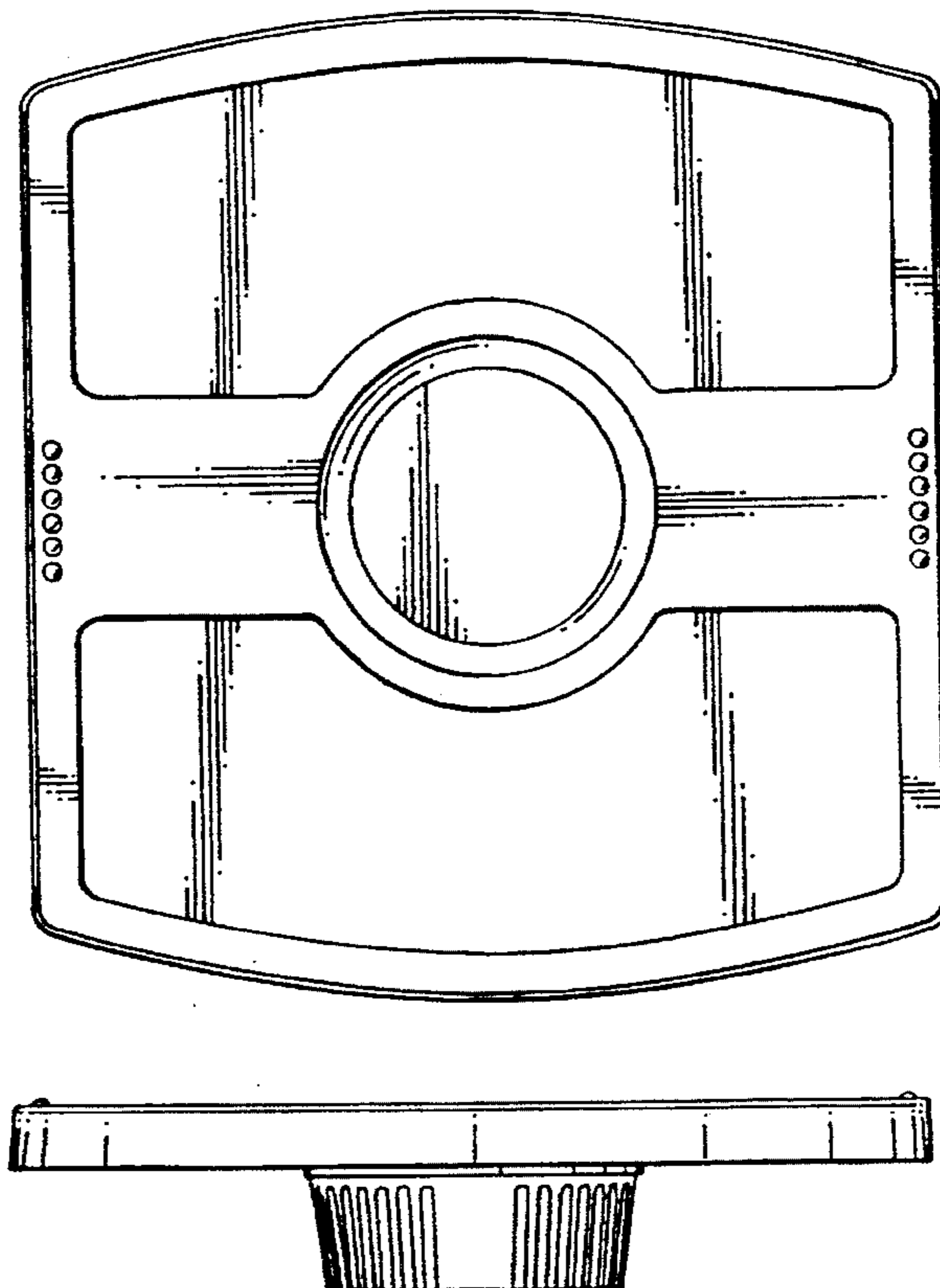


FIG - 1

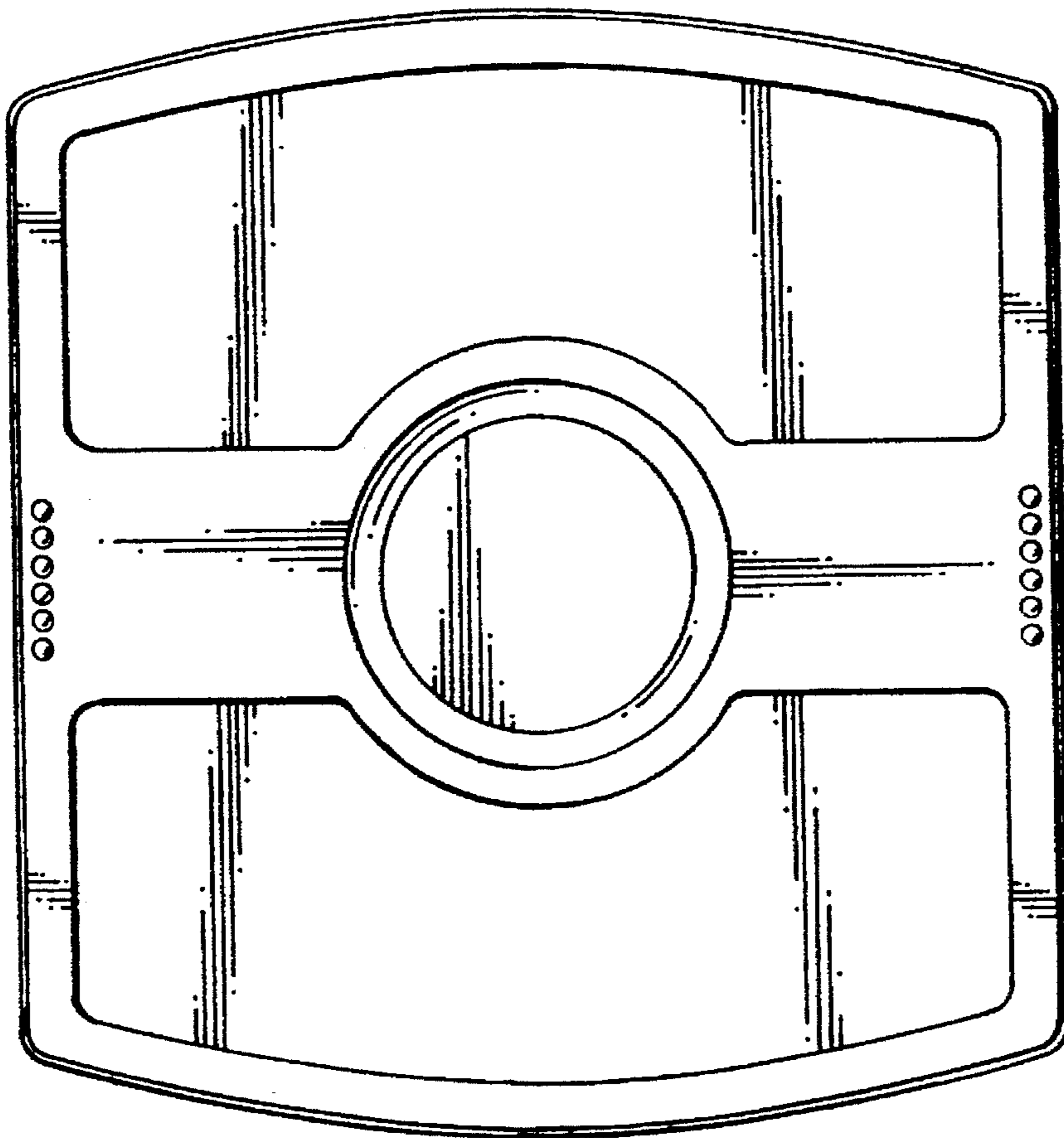
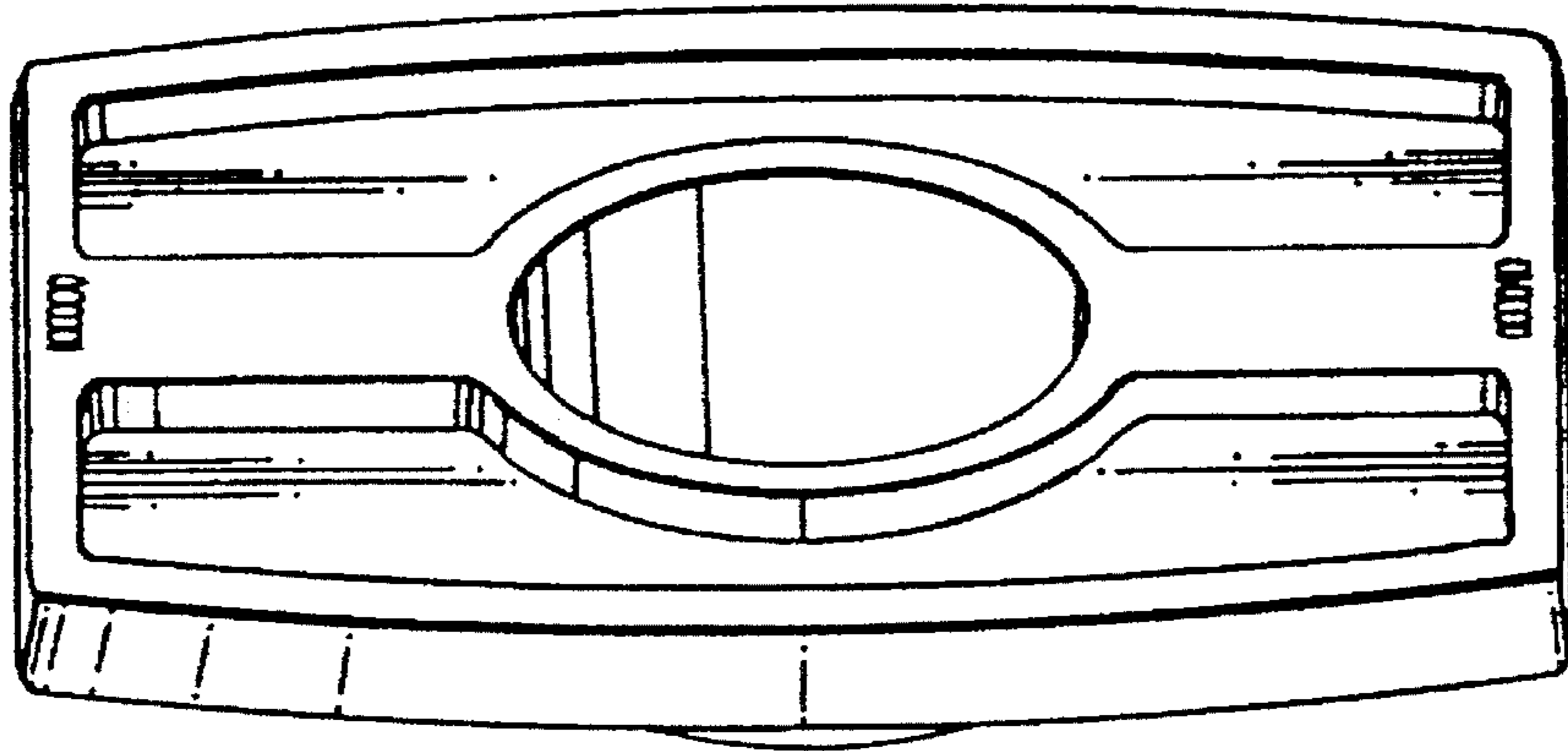


FIG - 2

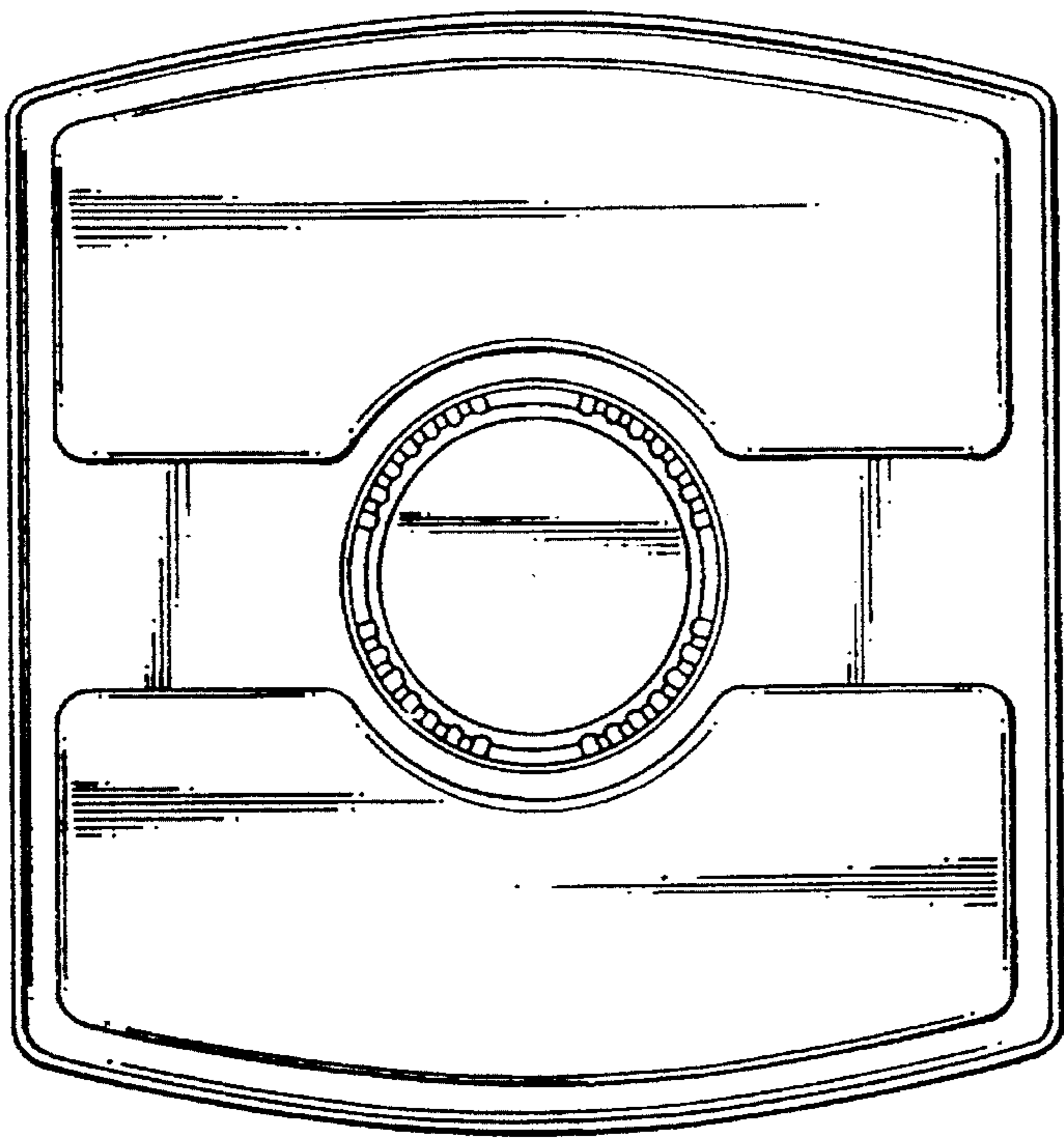


Fig - 3

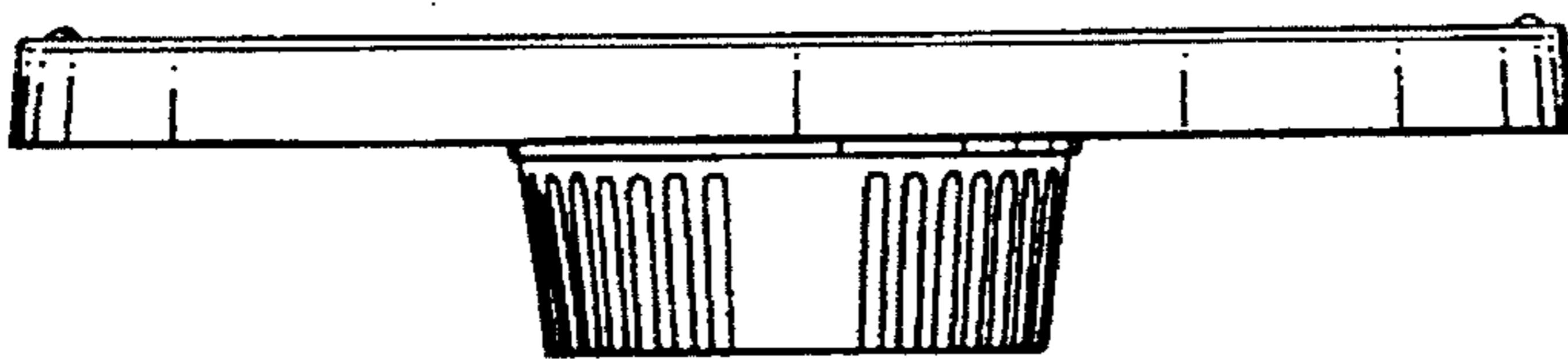


Fig - 4

Fig - 5

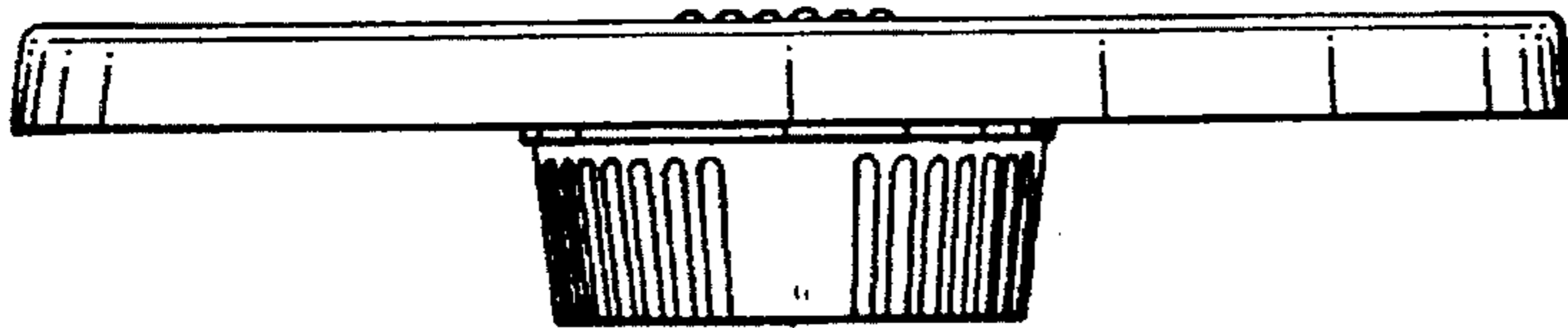
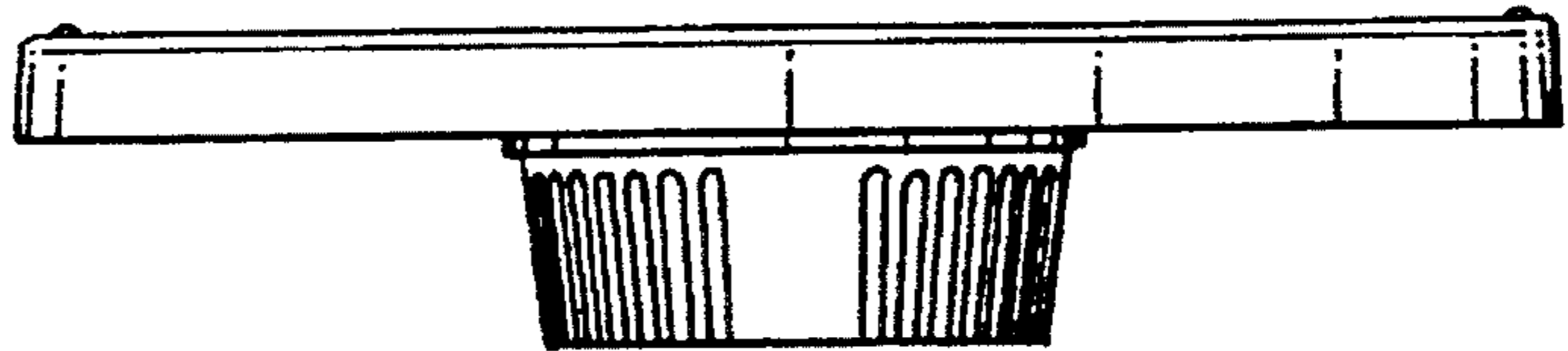


Fig - 6

Fig - 7

