



US00D366394S

United States Patent [19] Kypreos

[11] Patent Number: **Des. 366,394**

[45] Date of Patent: ****Jan. 23, 1996**

[54] **DRINKS TRAY**

[76] Inventor: **Chris Kypreos**, 8 Elston St., Brooklyn Park, SA 5032, Australia

[**] Term: **14 Years**

[21] Appl. No.: **21,915**

[22] Filed: **Apr. 26, 1994**

[52] U.S. Cl. **D7/543; D7/610; D7/547**

[58] Field of Search **D7/543, 546, 547, D7/584, 500, 544, 545, 550, 610, 552; 220/772**

[56] **References Cited**

U.S. PATENT DOCUMENTS

- D. 76,744 10/1928 Forman D7/546
- D. 197,295 1/1964 Filipowski D7/543
- D. 230,687 3/1974 McCutchen D7/547 X
- D. 238,474 1/1976 Logue D7/547
- D. 238,476 1/1976 Logue D7/543

- D. 238,845 2/1976 Logue D7/543
- D. 260,840 6/1981 Lieberman D7/584
- 2,308,267 1/1943 Cooper D7/547 X
- 3,545,642 12/1970 Swett D7/547 X

Primary Examiner—Alan P. Douglas
Assistant Examiner—M. N. Pandozzi
Attorney, Agent, or Firm—Abelman, Frayne & Schwab

[57] **CLAIM**

The ornamental design for a drink tray, as shown and described.

DESCRIPTION

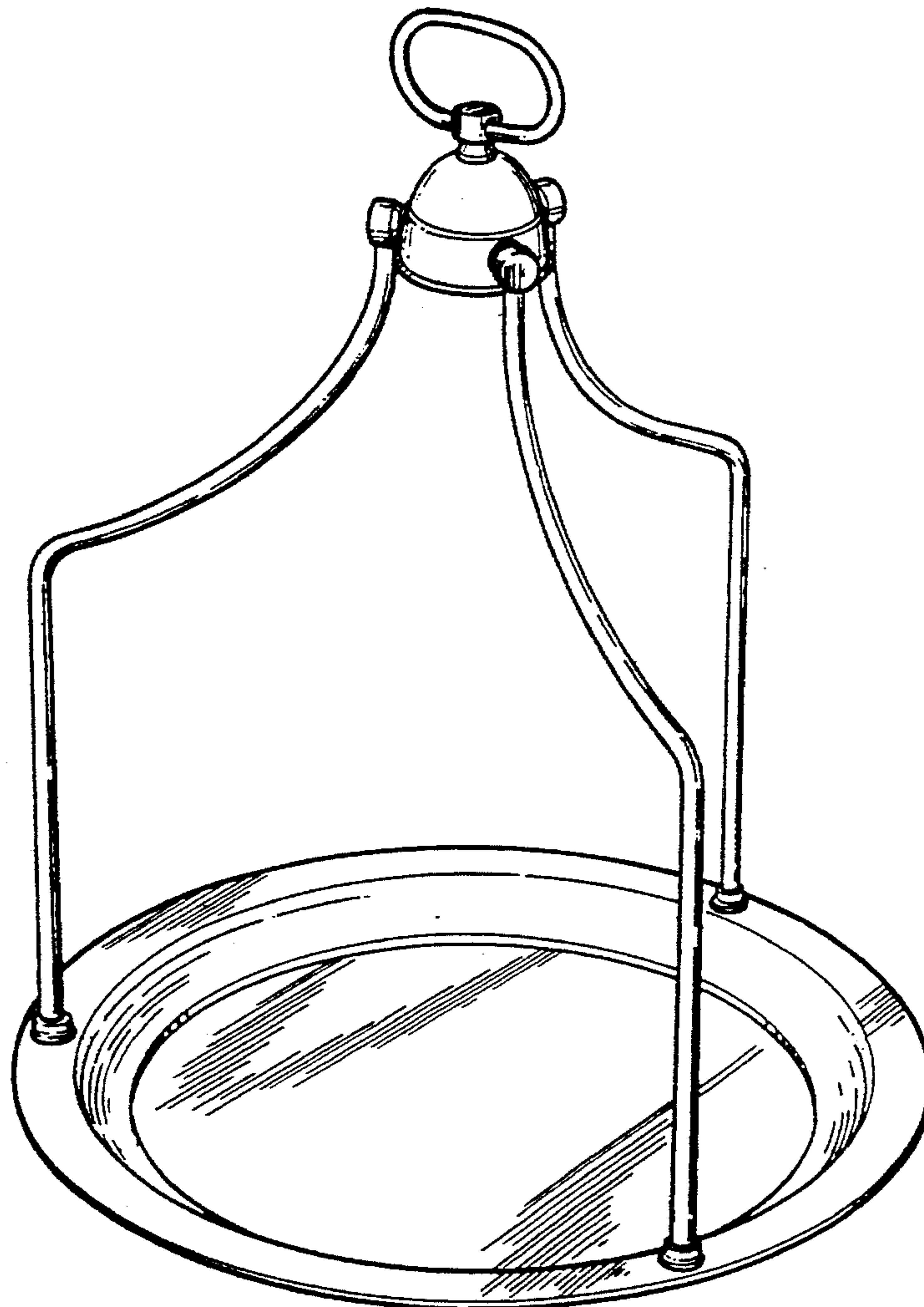
FIG. 1 is a top view of a drinks tray according to this invention;

FIG. 2 is a side elevational view of the drinks tray shown in FIG. 1;

FIG. 3 is an underside plan view of the tray; and,

FIG. 4 is a top perspective view of the tray.

1 Claim, 2 Drawing Sheets



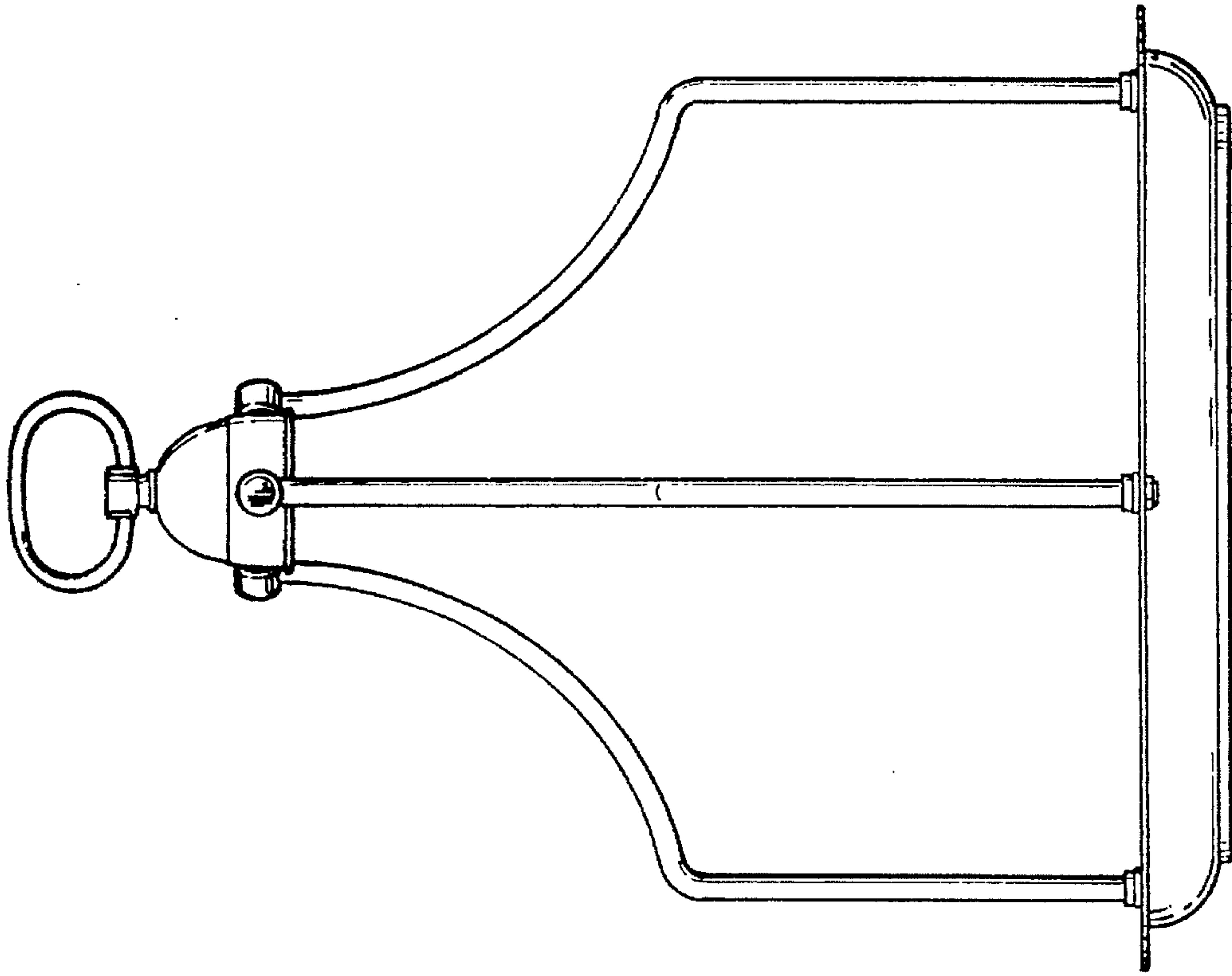


FIG. 2

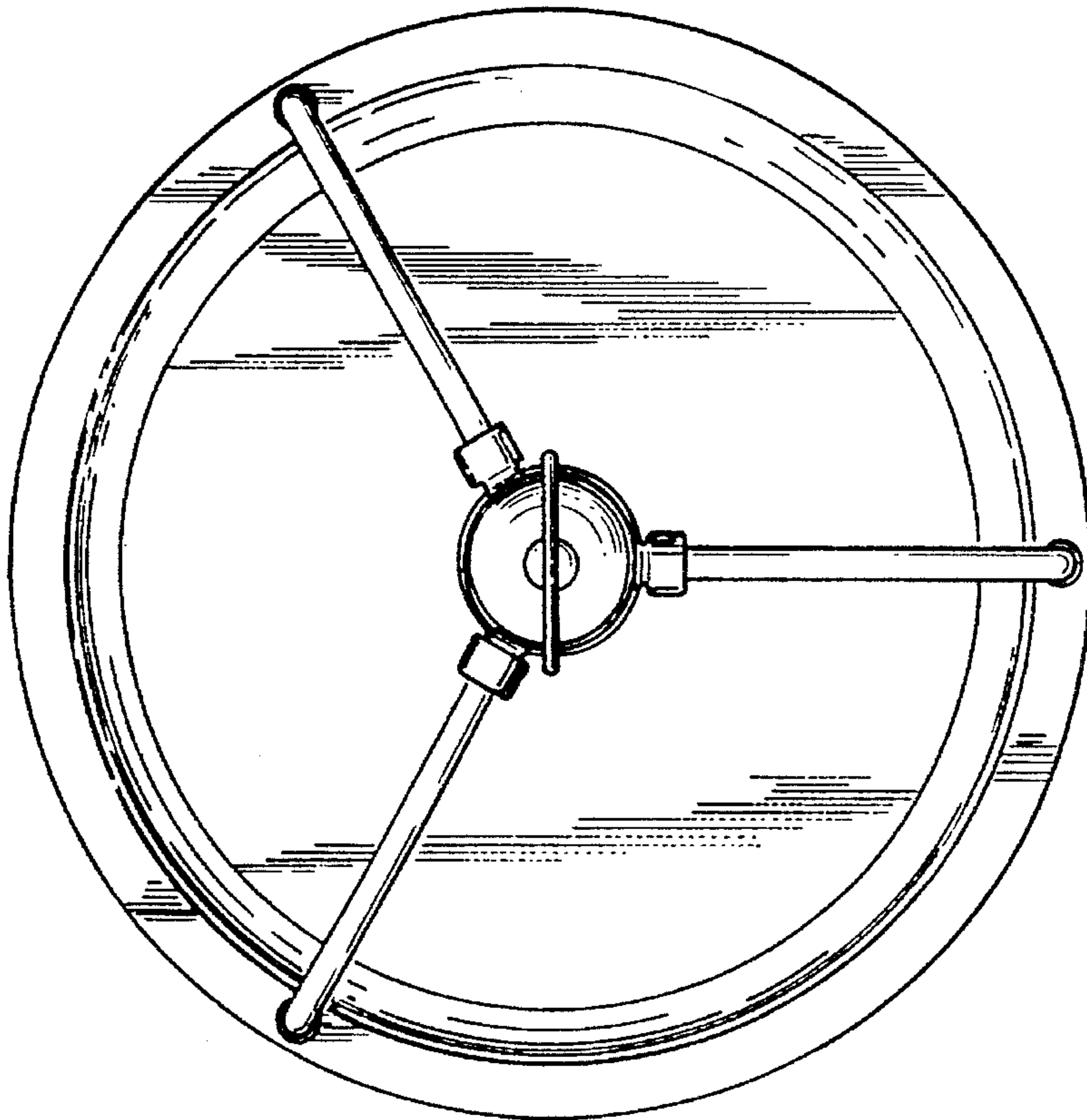


FIG. 1

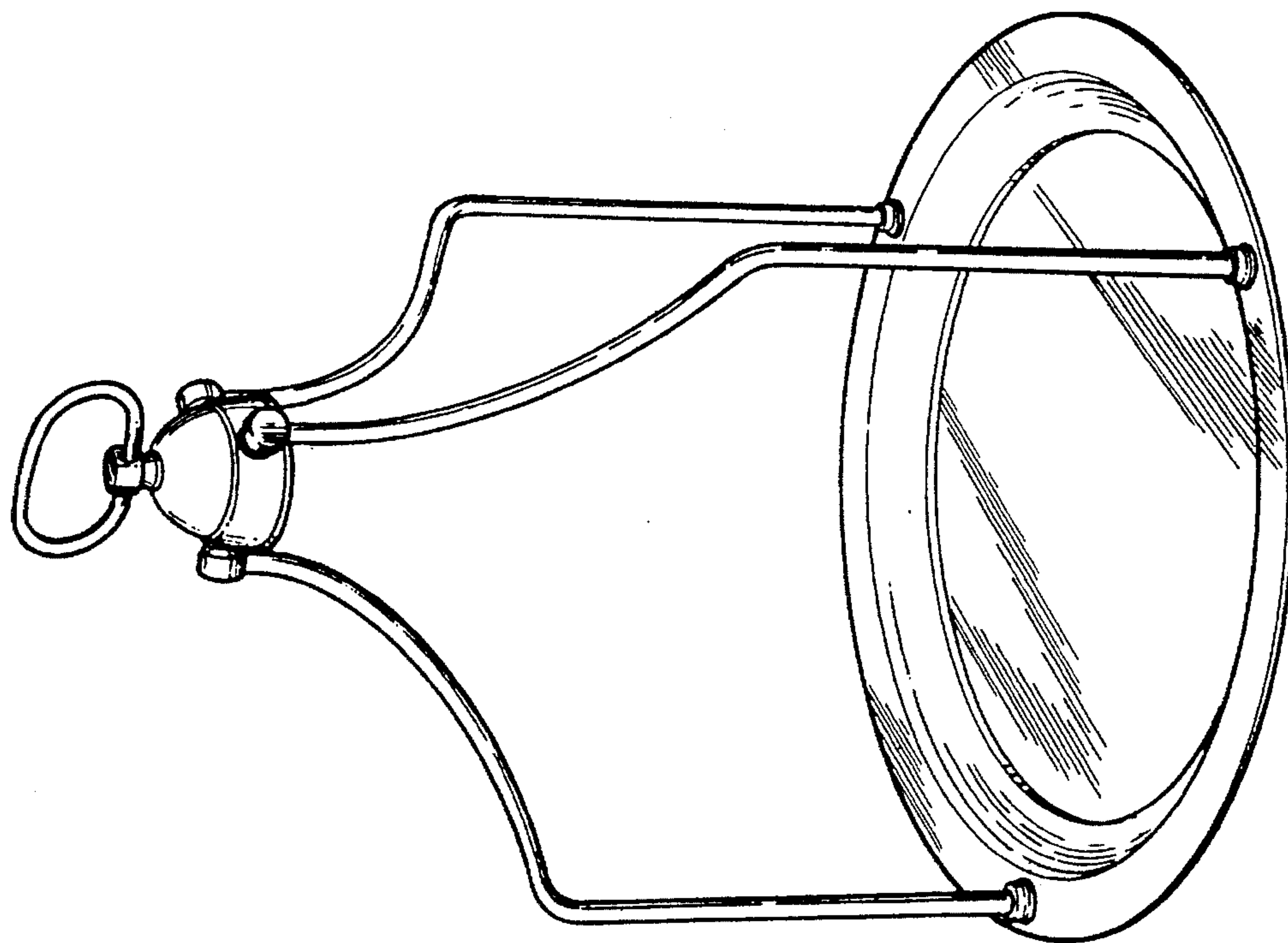


FIG. 4

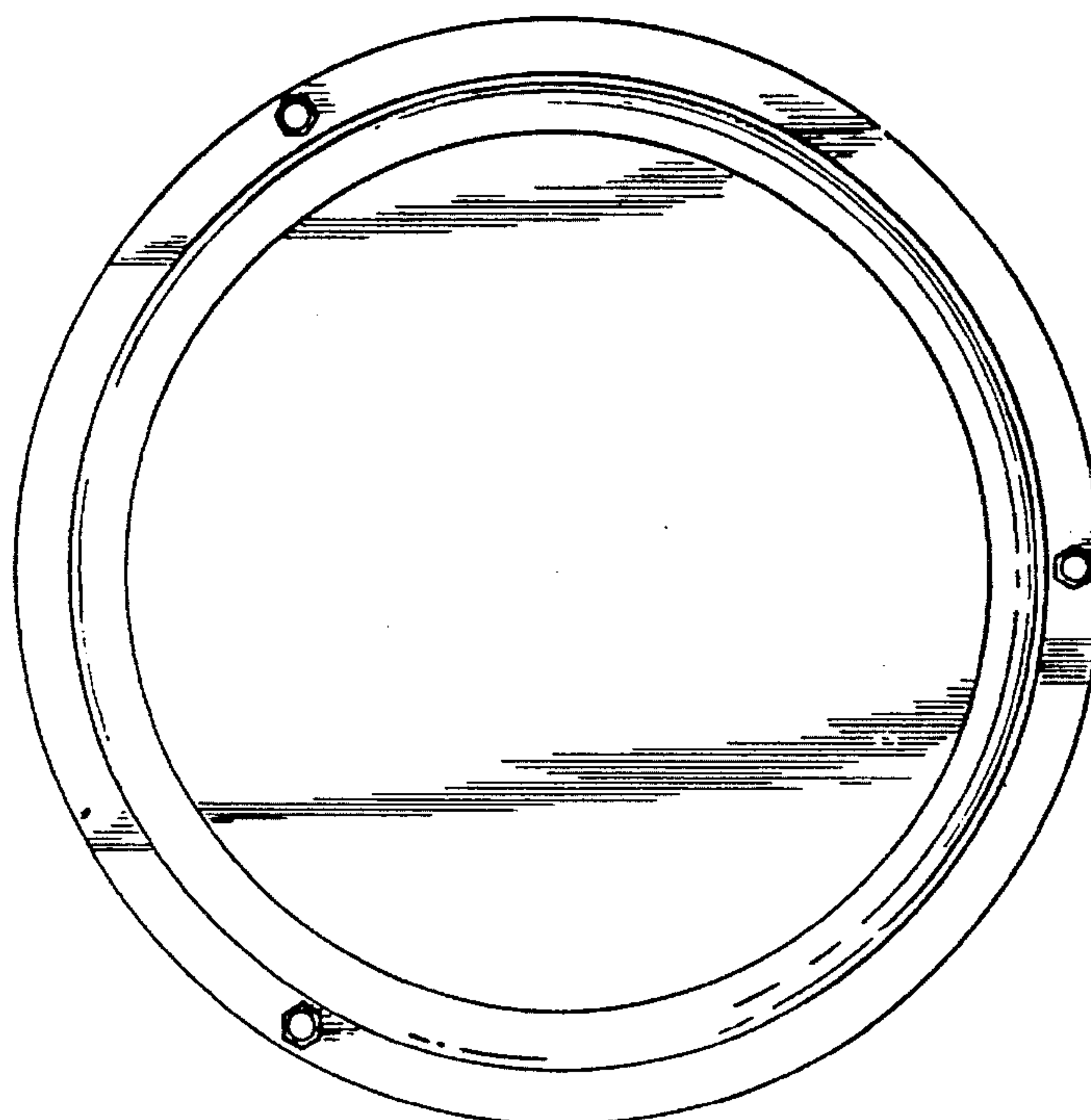


FIG. 3