



US00D366392S

United States Patent [19]

[11] Patent Number: **Des. 366,392**

Stephen et al.

[45] Date of Patent: ****Jan. 23, 1996**

[54] **CHARCOAL IGNITER**

[75] Inventors: **James C. Stephen**, Arlington Heights;
Erich J. Schlosser, Barrington; **Ewald Sieg**, Palatine, all of Ill.

[73] Assignee: **Weber-Stephen Products Co.**, Palatine, Ill.

[**] Term: **14 Years**

[21] Appl. No.: **26,528**

[22] Filed: **Jul. 29, 1994**

[52] U.S. Cl. **D7/417**

[58] Field of Search **D7/416, 417; D23/403; 44/522, 530; 126/25 B**

[56] **References Cited**

U.S. PATENT DOCUMENTS

- D. 217,184 4/1970 Davis D7/417
- D. 237,888 2/1975 Wedenburner D7/417
- D. 262,053 11/1981 Gavino D7/417
- 1,919,407 7/1933 Wood .
- 2,939,773 6/1960 Rymer .
- 2,949,209 8/1960 Schott .
- 3,028,228 4/1962 Chaplin .
- 3,060,868 10/1962 MacLachlan .
- 3,073,263 1/1963 Wynkoop .
- 3,112,716 12/1963 Knight .
- 3,116,704 1/1964 Byars et al. .
- 3,121,408 2/1964 Haning .
- 3,122,109 2/1964 Waugh .
- 3,167,040 1/1965 Byars et al. .
- 3,168,062 2/1965 Arnold .
- 3,177,826 4/1965 Cohen .
- 3,191,556 6/1965 Hottenroth et al. .
- 3,192,918 7/1965 Ridgway .
- 3,209,712 10/1965 Arena .
- 3,216,379 11/1965 Durfee .
- 3,240,172 3/1966 Romberg et al. .
- 3,296,984 1/1967 Durfee .
- 3,307,506 3/1967 Rose .
- 3,339,505 9/1967 Bean .
- 3,370,582 2/1968 Rauh .
- 3,413,935 12/1968 Behrns .
- 3,453,975 7/1969 Gunter .
- 3,494,349 2/1970 Allen .

- 3,499,399 3/1970 Kaufmann .
- 3,529,557 9/1970 Treanor .
- 3,590,755 7/1971 Niemann .
- 3,734,034 5/1973 Fowler .
- 3,739,732 6/1973 Graham .
- 3,765,397 10/1973 Henderson .
- 3,799,141 3/1974 Simmer .
- 3,814,035 6/1974 Miller .
- 3,865,052 2/1975 Streets et al. .
- 3,884,214 5/1975 Duncan .
- 3,903,866 9/1975 Polinski .
- 3,934,520 1/1976 Brennan et al. .
- 3,957,455 5/1976 Clark .
- 3,974,821 8/1976 Storandt .
- 4,023,553 5/1977 London et al. .
- 4,026,265 5/1977 Spadaro .
- 4,094,649 6/1978 Osterried .
- 4,102,317 7/1978 Shonnard et al. .
- 4,130,103 12/1978 Zimmerman .
- 4,175,925 11/1979 Paek et al. .
- 4,227,510 10/1980 Frazier et al. .
- 4,282,854 8/1981 Byars .

(List continued on next page.)

FOREIGN PATENT DOCUMENTS

- 1162123 2/1984 Canada .
- 2074309 10/1981 United Kingdom .

Primary Examiner—Alan P. Douglas
Assistant Examiner—M. N. Pandozzi
Attorney, Agent, or Firm—Wallenstein & Wagner, Ltd.

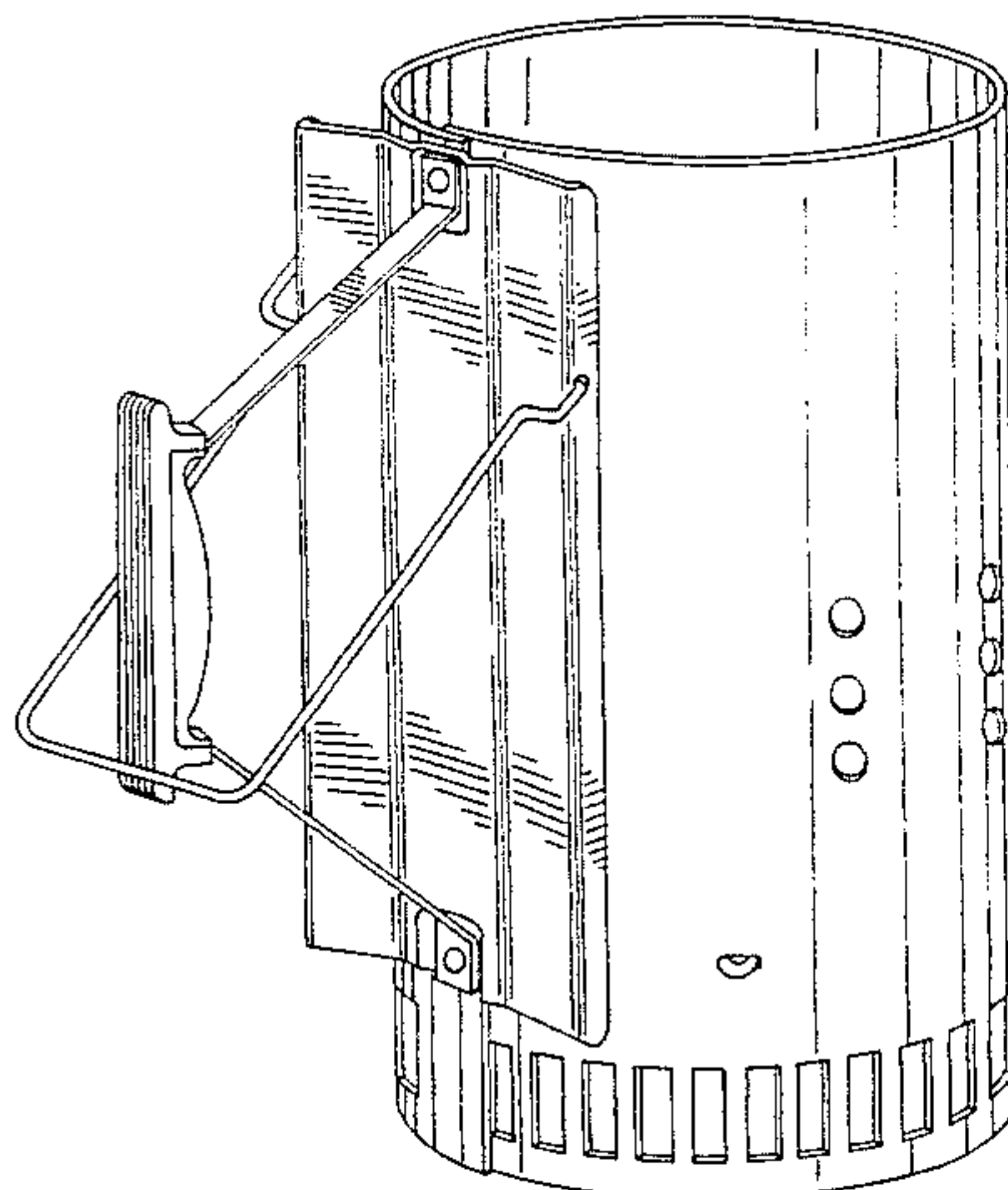
[57] **CLAIM**

The ornamental design for a charcoal igniter, as shown and described.

DESCRIPTION

FIG. 1 is a perspective view of the charcoal igniter showing our new design;
FIG. 2 is a left side elevation view thereof with the right side elevation view being a mirror image thereof;
FIG. 3 is a top plan view thereof;
FIG. 4 is a bottom plan view thereof;
FIG. 5 is a front elevation view thereof; and,
FIG. 6 is a rear elevation view thereof.

1 Claim, 3 Drawing Sheets



Des. 366,392

Page 2

U.S. PATENT DOCUMENTS

4,311,130	1/1982	Noose .	4,567,876	2/1986	Ogden .	
4,321,907	3/1982	Sutter .	4,603,679	8/1986	Ogden .	
4,331,125	5/1982	Storandt .	4,604,986	8/1986	Barnes .	
4,417,565	11/1983	Karpinia .	4,793,320	12/1988	Bakie .	
4,461,270	7/1984	Sutter .	4,909,237	3/1990	Karpinia .	
4,503,835	3/1985	Williams .	4,953,533	9/1990	Witt .	
4,510,916	4/1985	Ogden .	5,197,455	3/1993	Tessien .	
4,531,507	7/1985	Gerson .	5,230,325	7/1993	Williams	126/25 B

FIG. 2

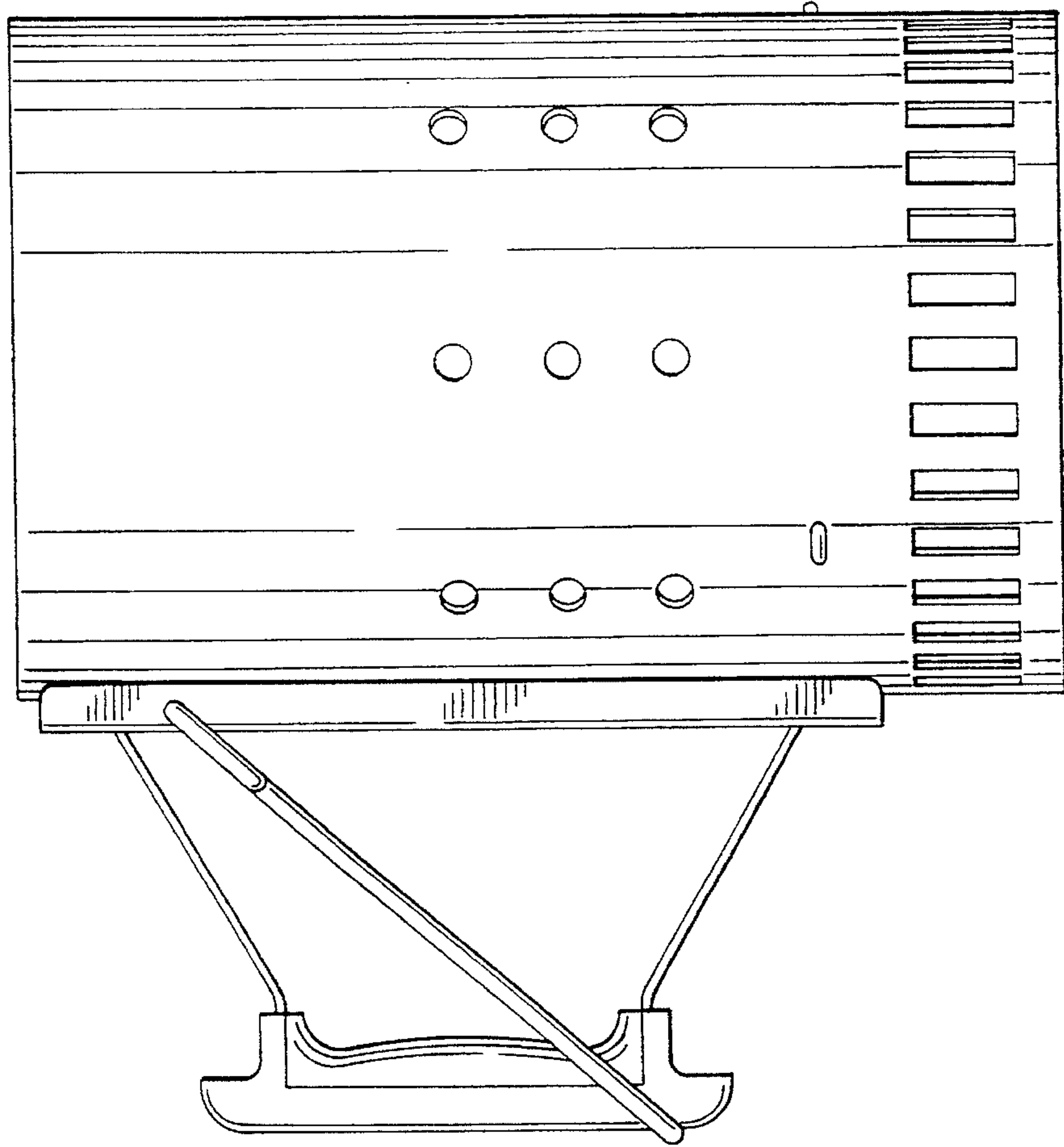


FIG. 1

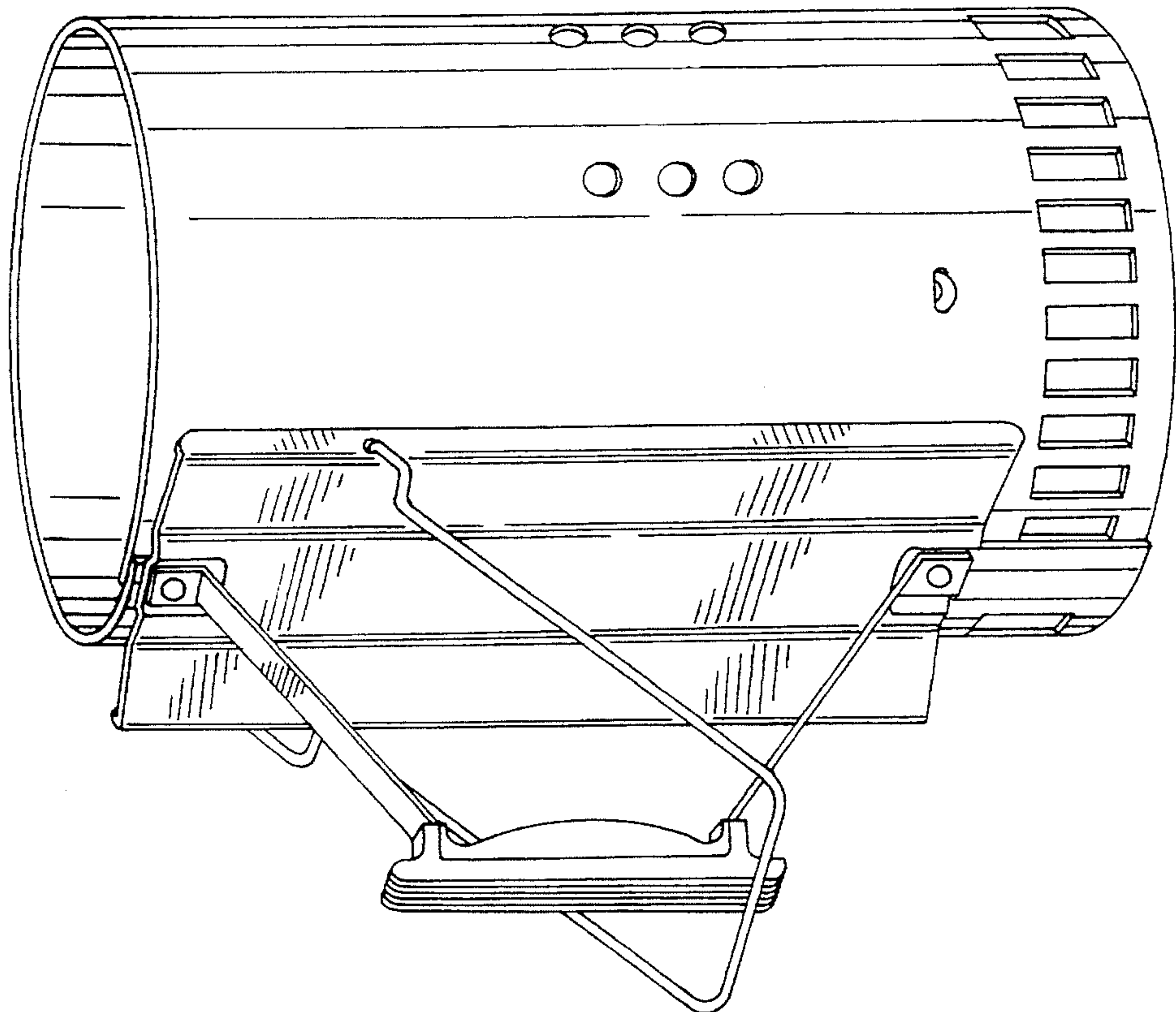


FIG. 3

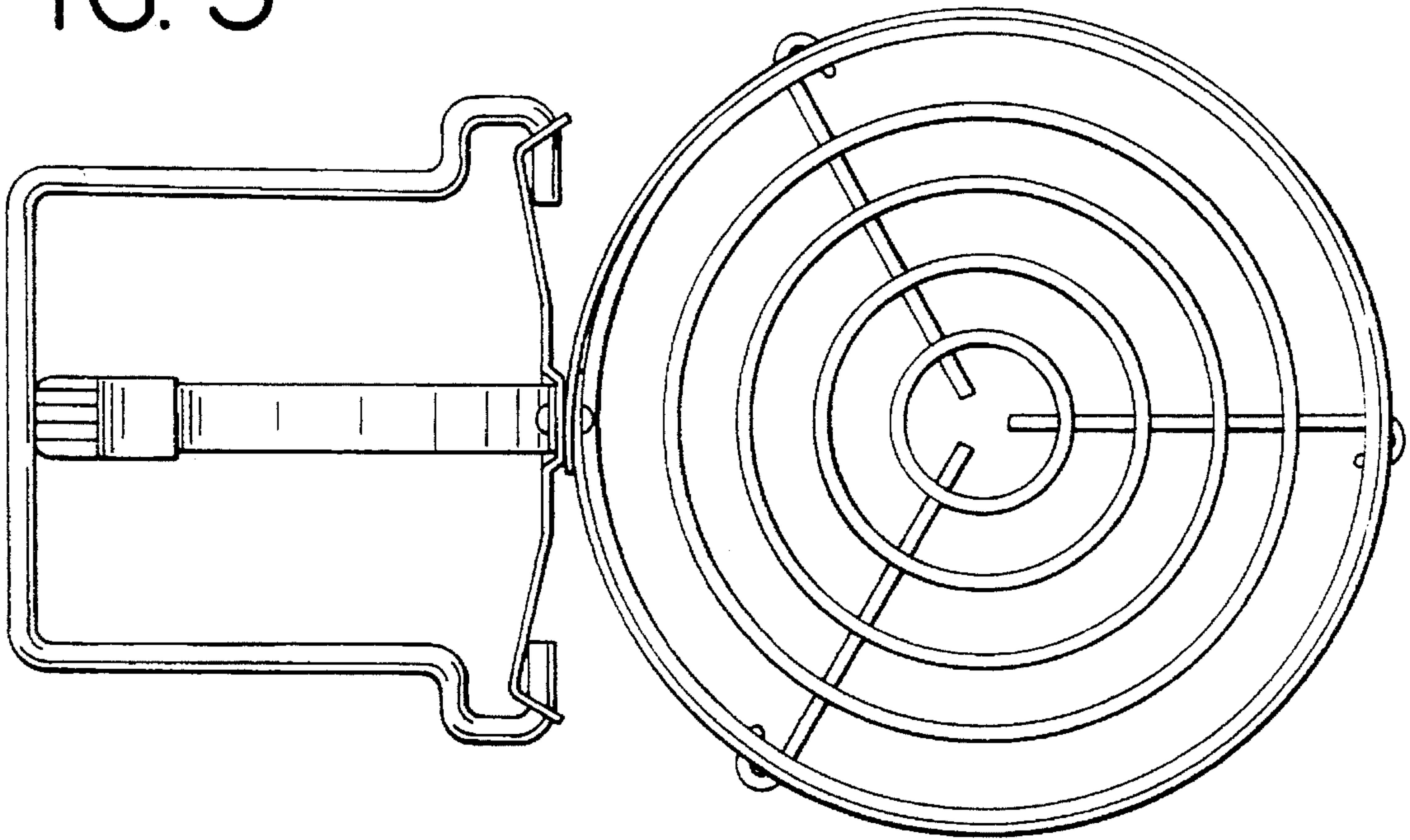


FIG. 4

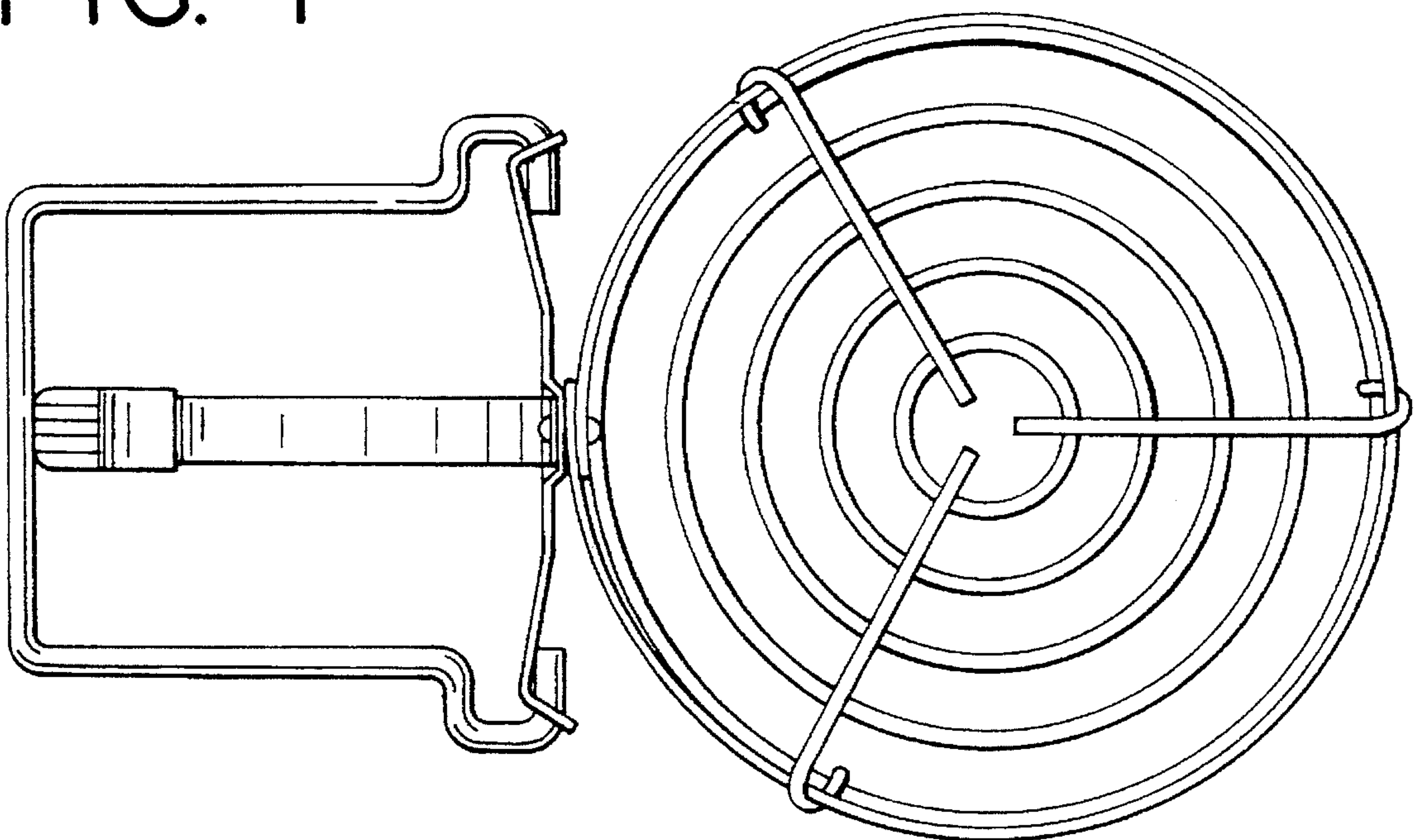


FIG. 6

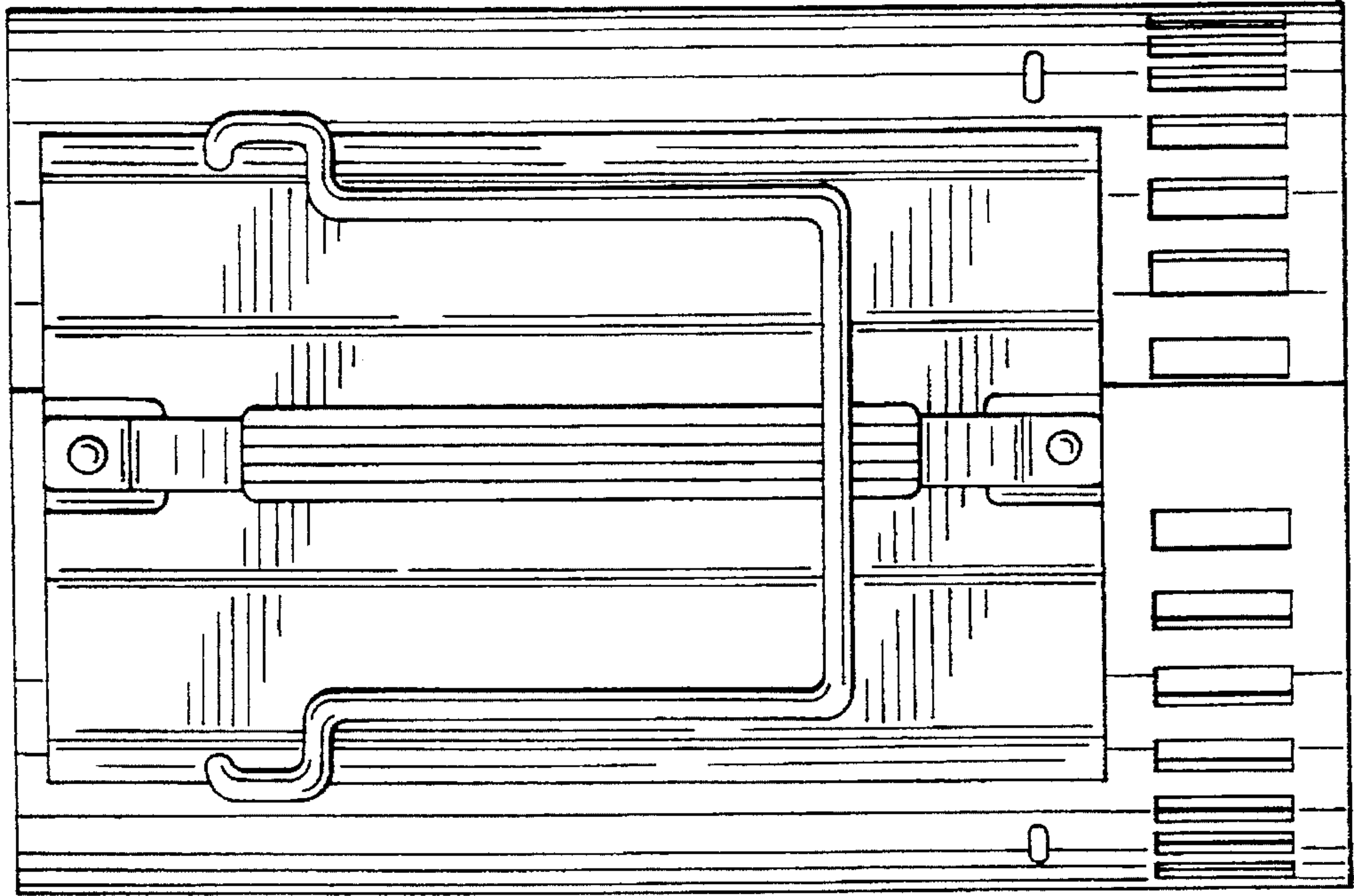


FIG. 5

