



US00D366391S

United States Patent [19]

[11] Patent Number: **Des. 366,391**

Haley et al.

[45] Date of Patent: ****Jan. 23, 1996**

[54] **WATER DISPENSER**

5,065,966 11/1991 Harke 248/311.3 X
5,143,247 9/1992 Gaule D7/619 X

[75] Inventors: **Vincent L. Haley**, Orrville; **Dennis K. Jenkins**, Medina; **Rodney A. Nester**, Wooster, all of Ohio

OTHER PUBLICATIONS

Pp. 2, 5 and 11, Water dispenser; Dispensing Innovation, 5160 Commerce Drive, Baldwin Park, California 91706. Published at least as early as May, 1994.

[73] Assignee: **Rubbermaid Incorporated**, Wooster, Ohio

Primary Examiner—Alan P. Douglas
Assistant Examiner—M. N. Pandozzi
Attorney, Agent, or Firm—Richard B. O'Planick; Lisa B. Riedesel

[**] Term: **14 Years**

[21] Appl. No.: **32,000**

[22] Filed: **Dec. 12, 1994**

[57] CLAIM

[52] U.S. Cl. **D7/397**; D7/387; D7/619; D7/388; D7/455

The ornamental design for a water dispenser, as shown and described.

[58] **Field of Search** D7/305, 387, 388, D7/397, 401.1, 403, 619; D6/466; D23/304; 248/311.3; 211/71, 74; D9/455, 434

DESCRIPTION

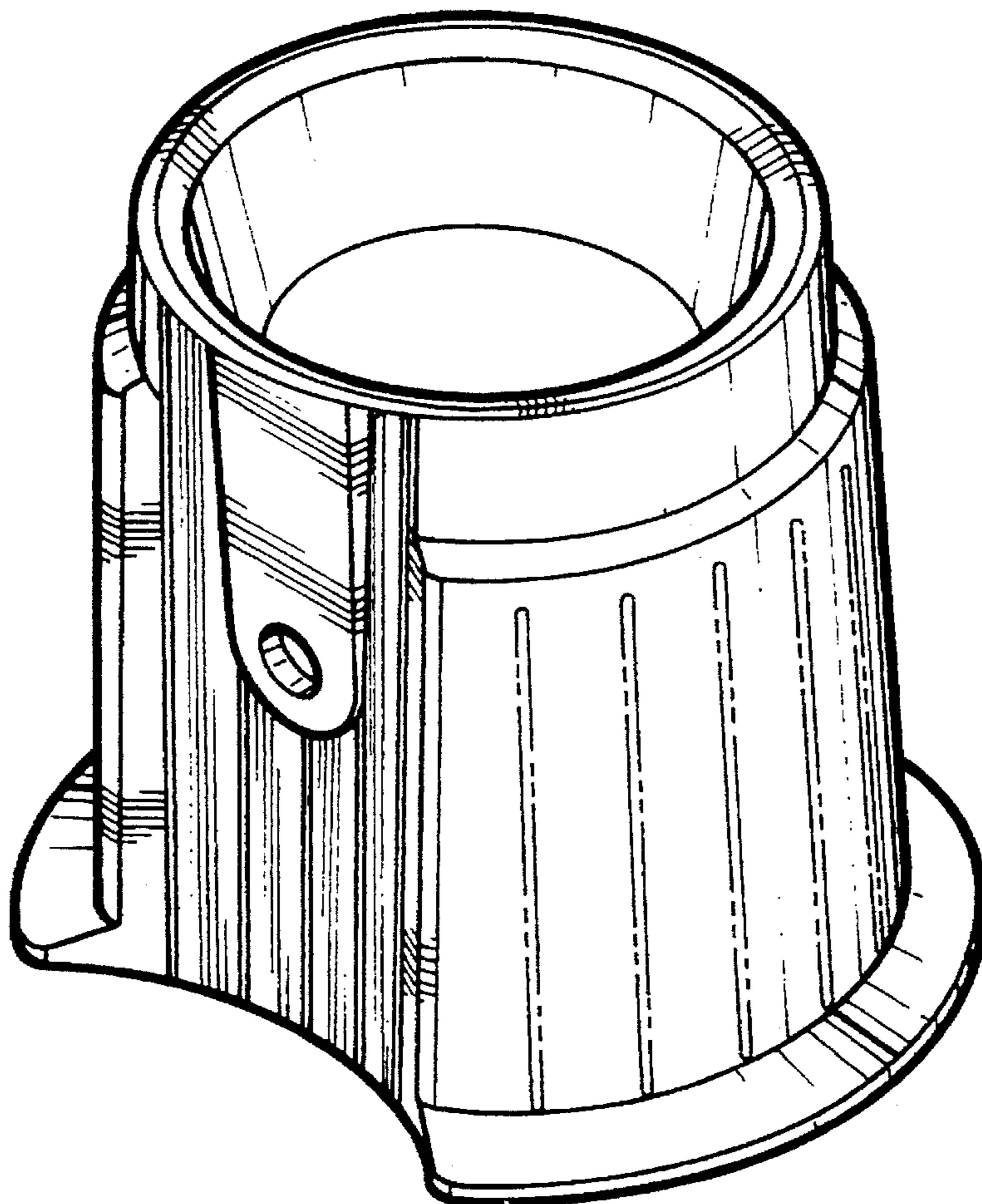
[56] References Cited

U.S. PATENT DOCUMENTS

D. 242,301	11/1976	Little	D7/388
D. 267,632	1/1983	French	D9/434
D. 280,692	9/1985	Sullivan	D7/387 X
D. 330,995	11/1992	Hartman et al.	D7/619
D. 334,874	4/1993	Mealey et al.	D7/388 X
D. 342,866	1/1994	Lee	D7/619

FIG. 1 is a top right front perspective view of a water dispenser showing our new design;
FIG. 2 is a front elevational view thereof;
FIG. 3 is a top plan view thereof;
FIG. 4 is a left side elevational view thereof; the right side elevational view being a mirror image;
FIG. 5 is a rear elevational view thereof; and,
FIG. 6 is a bottom plan view thereof.

1 Claim, 3 Drawing Sheets



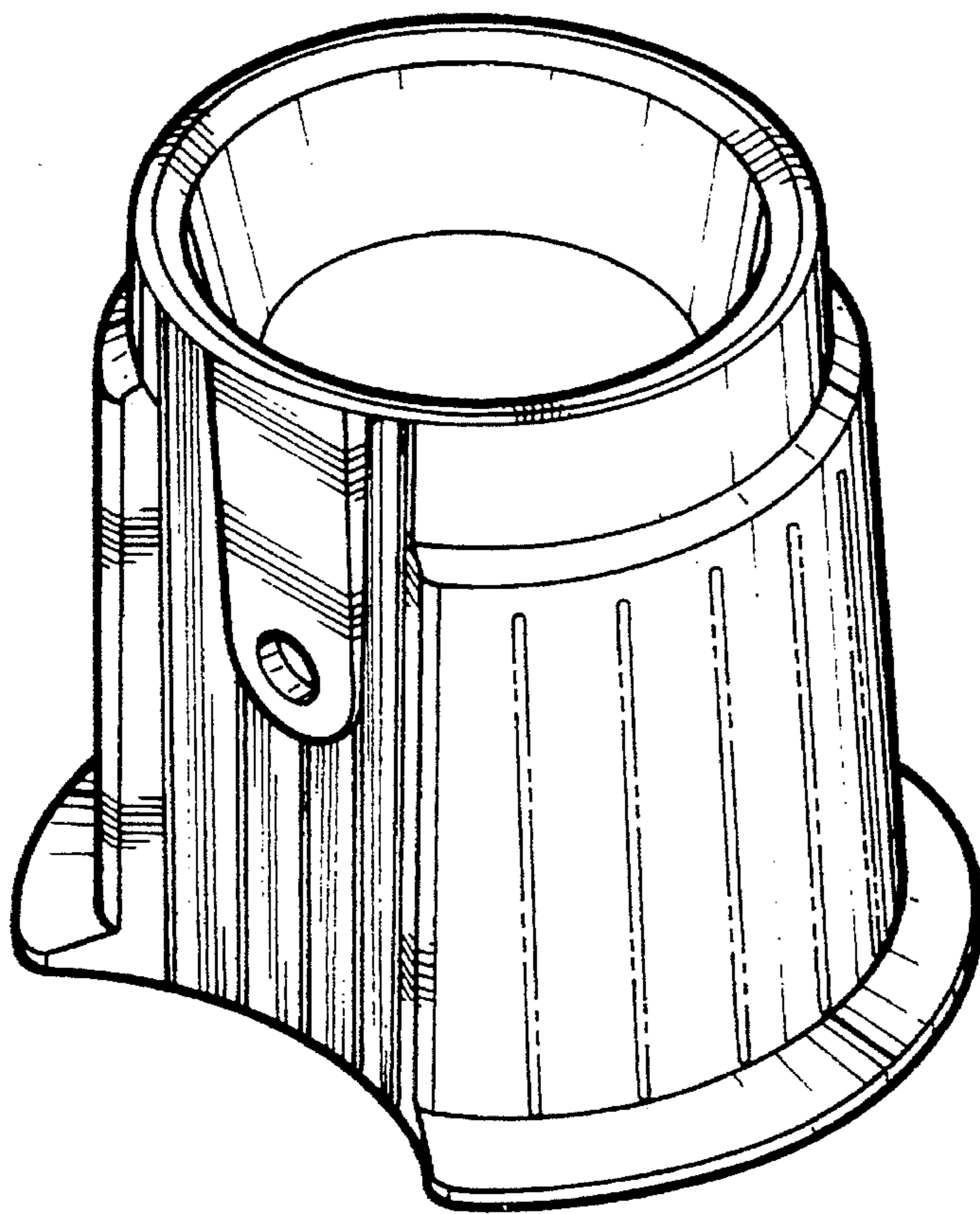


Fig-1

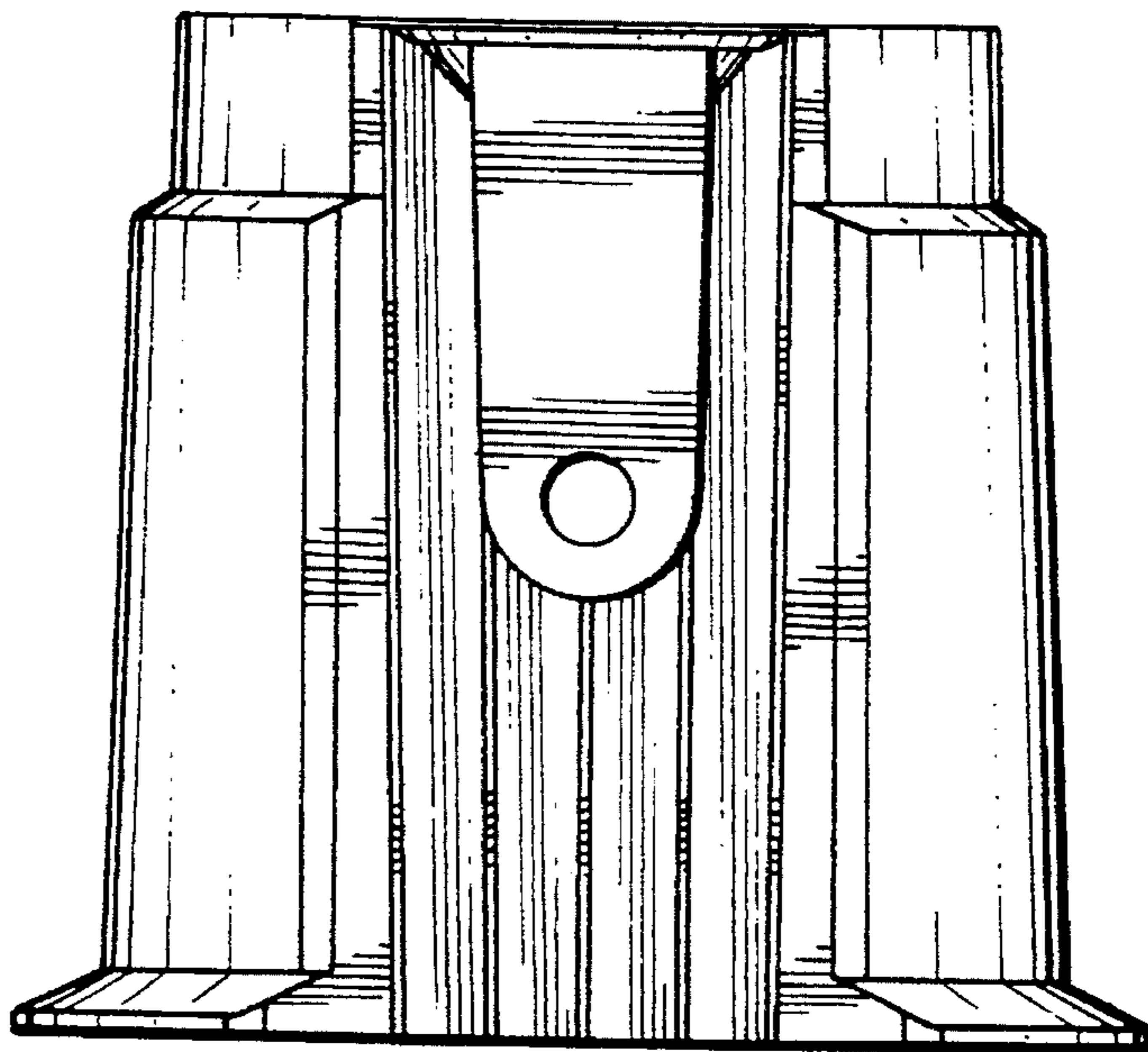


Fig-2

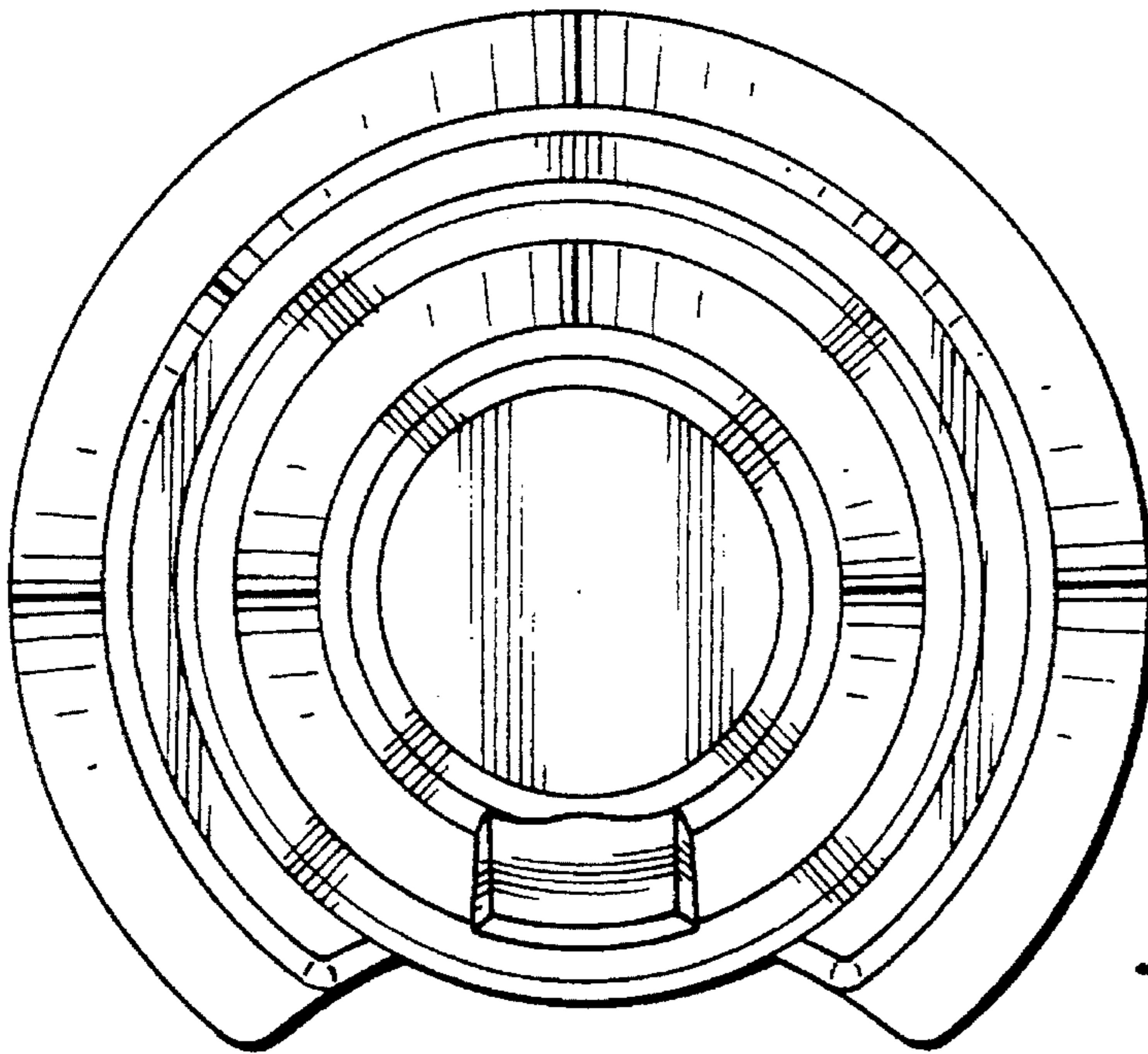


Fig-3

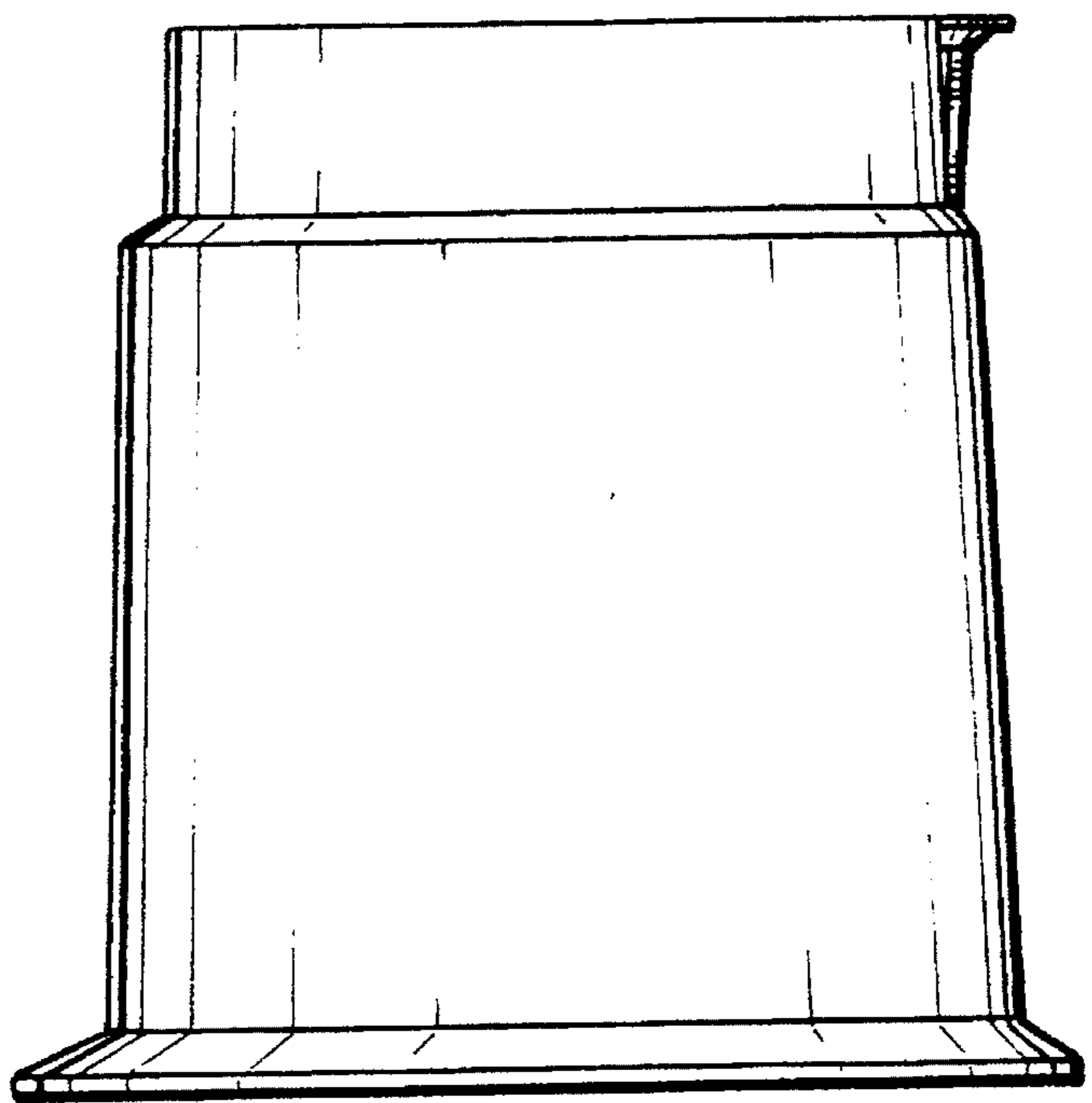


Fig-4

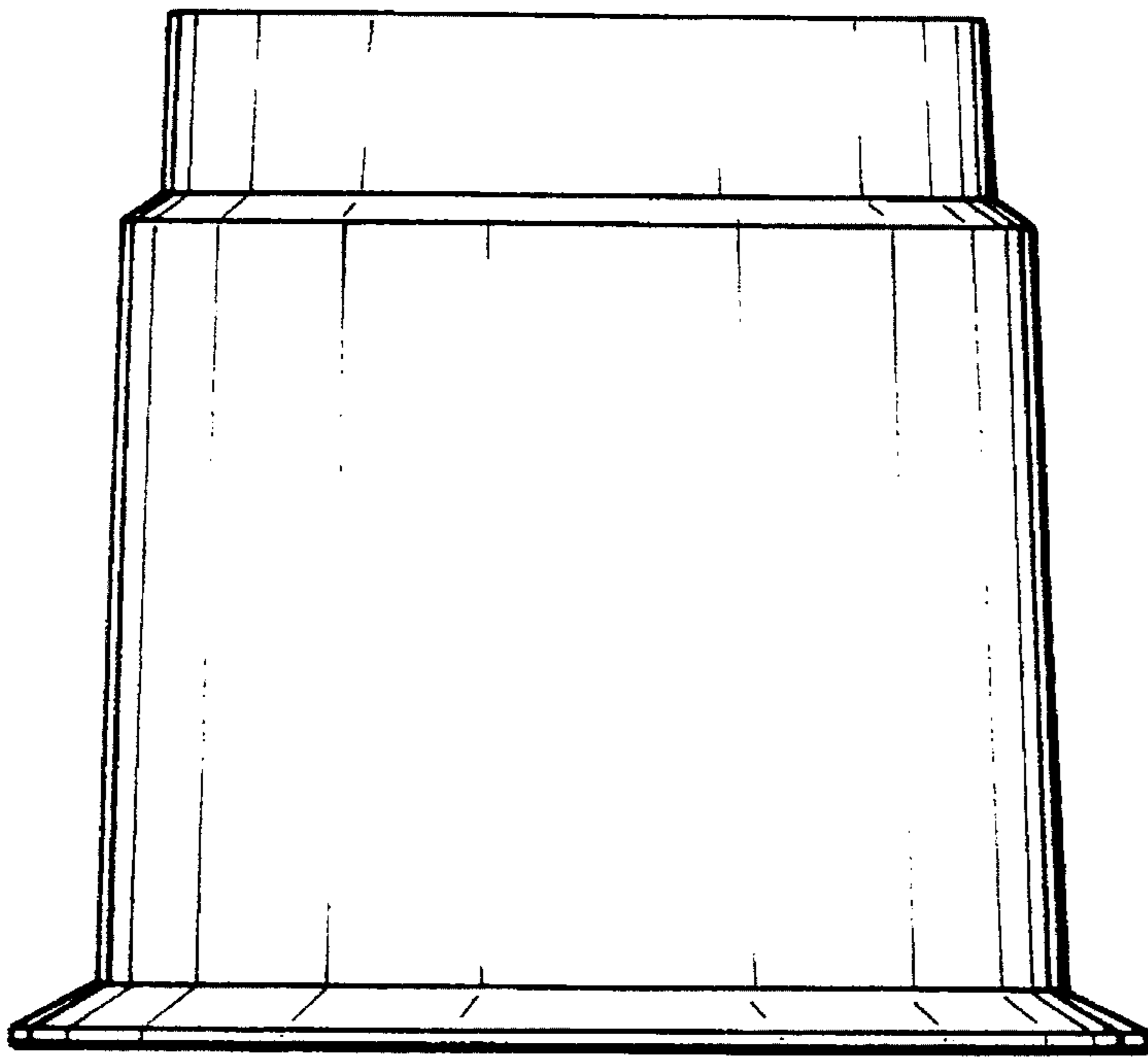


Fig-5

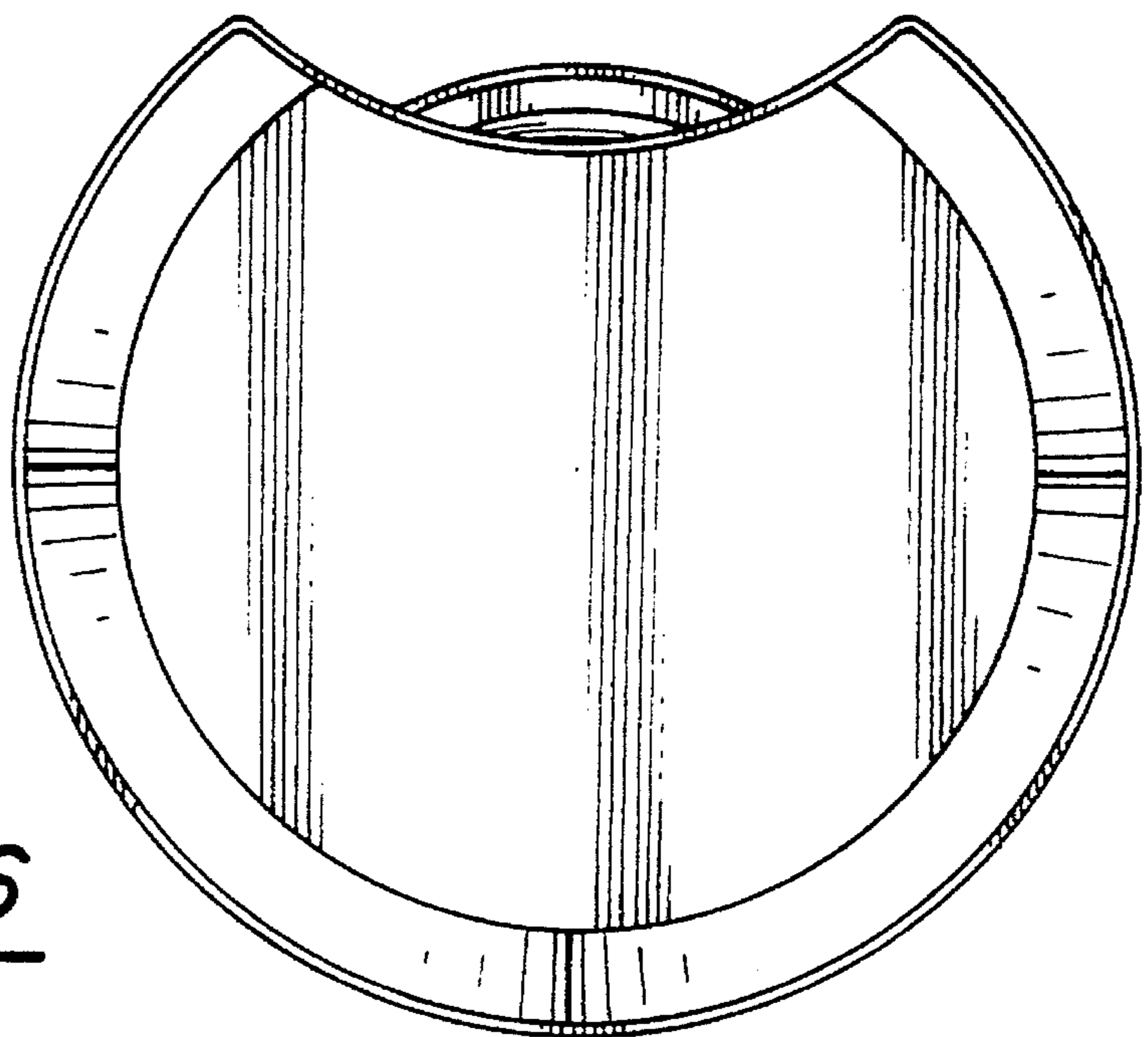


Fig-6