



US00D366389S

United States Patent [19]

[11] Patent Number: **Des. 366,389**

Inoue

[45] Date of Patent: ****Jan. 23, 1996**

[54] **HOUSEHOLD BAKER**

D. 358,291 5/1995 Lee D7/350
D. 358,528 5/1995 Hyun D7/350

[75] Inventor: **Tsunemichi Inoue**, Osaka, Japan

Primary Examiner—Ruth McInroy

[73] Assignee: **Zojirushi Corp.**, Osaka, Japan

Attorney, Agent, or Firm—Armstrong, Westerman, Hattori, McLeland & Naughton

[**] Term: **14 Years**

[57] CLAIM

[21] Appl. No.: **25,300**

The ornamental design for a household baker, as shown and described.

[22] Filed: **Jun. 29, 1994**

DESCRIPTION

[30] Foreign Application Priority Data

Apr. 13, 1994 [JP] Japan 6-10533

[52] U.S. Cl. **D7/350**

[58] Field of Search D7/347-348, 354,
D7/360; 99/325, 341, 359, 467, 468, 348;
126/275 R, 275 E, 19 M, 21 R

FIG. 1 is a top plan view of a household baker showing of my new design;

FIG. 2 is a front view thereof;

FIG. 3 is a back view thereof;

FIG. 4 is a left side view thereof;

FIG. 5 is a right side view thereof;

FIG. 6 is a bottom plan view thereof;

FIG. 7 is a perspective view thereof taken from the front left corner;

FIG. 8 is a top plan view, similar to FIG. 1 but of an embodiment thereof in which the panel is of glass;

FIG. 9 is a front view, similar to FIG. 2, but of the embodiment of FIG. 8; and,

FIG. 10 is a perspective view, similar to FIG. 7, but of the embodiment of FIGS. 8 and 9.

[56] References Cited

U.S. PATENT DOCUMENTS

- D. 310,615 9/1990 Kitai et al. D7/348
- D. 314,687 2/1991 Kim D7/350
- D. 325,147 4/1992 Watanabe et al. D7/348
- D. 346,303 4/1994 Kaneko D7/350
- D. 351,759 10/1994 Maruyama et al. D7/350
- D. 354,195 1/1995 Kaneko D7/350
- D. 357,384 4/1995 Maeda et al. D7/350
- D. 358,061 5/1995 Duquaine et al. D7/350

1 Claim, 9 Drawing Sheets

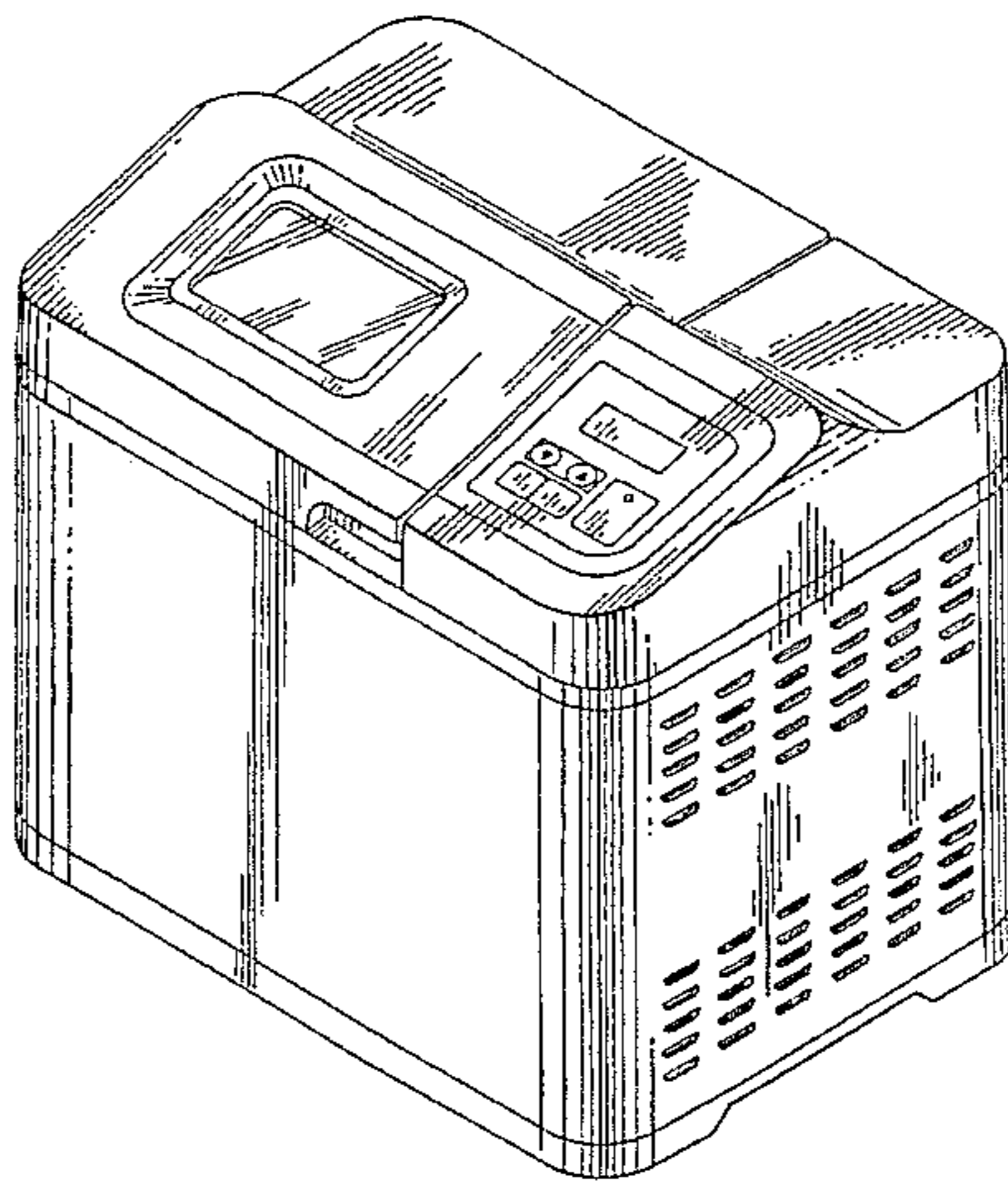
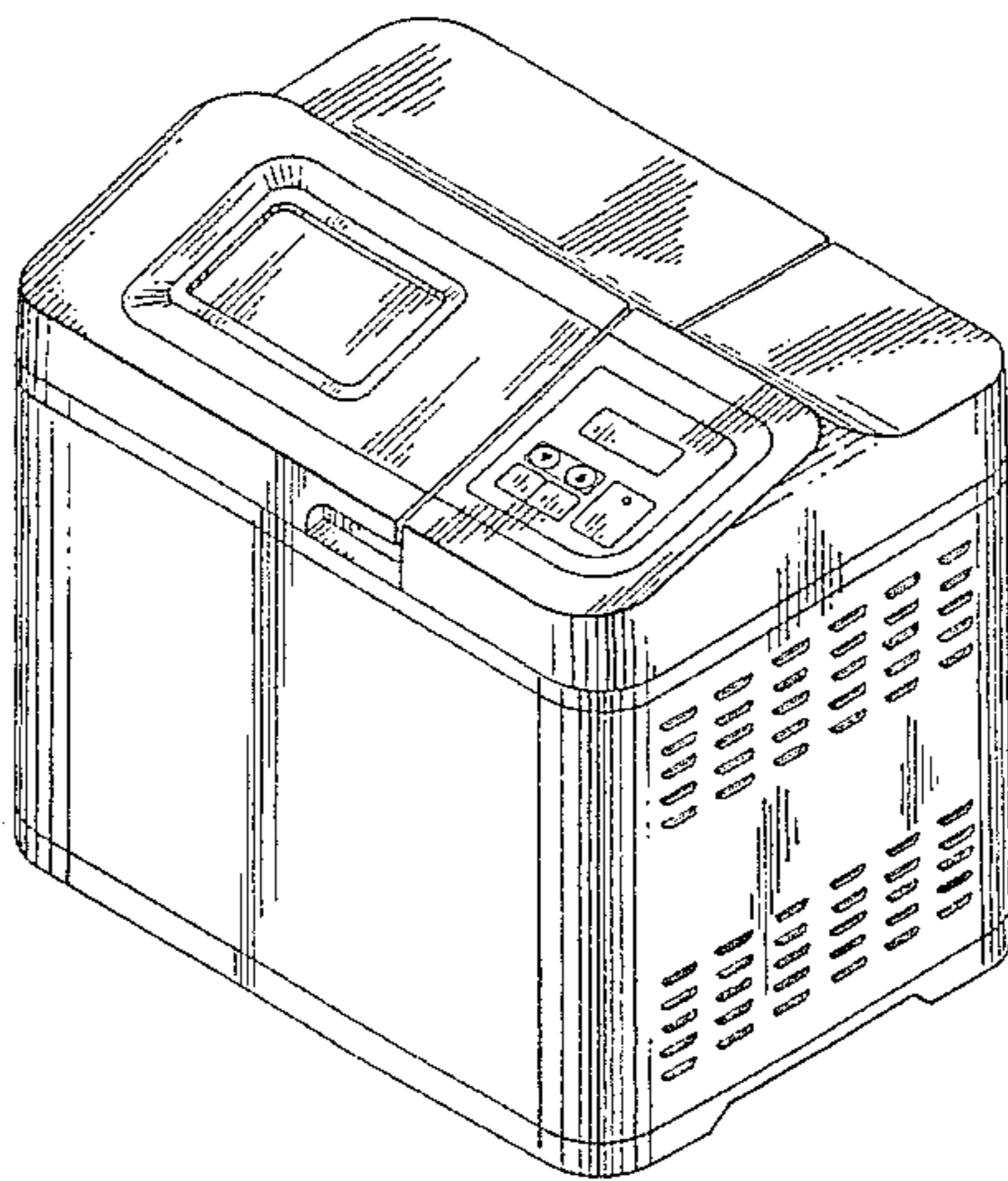


FIG. 1

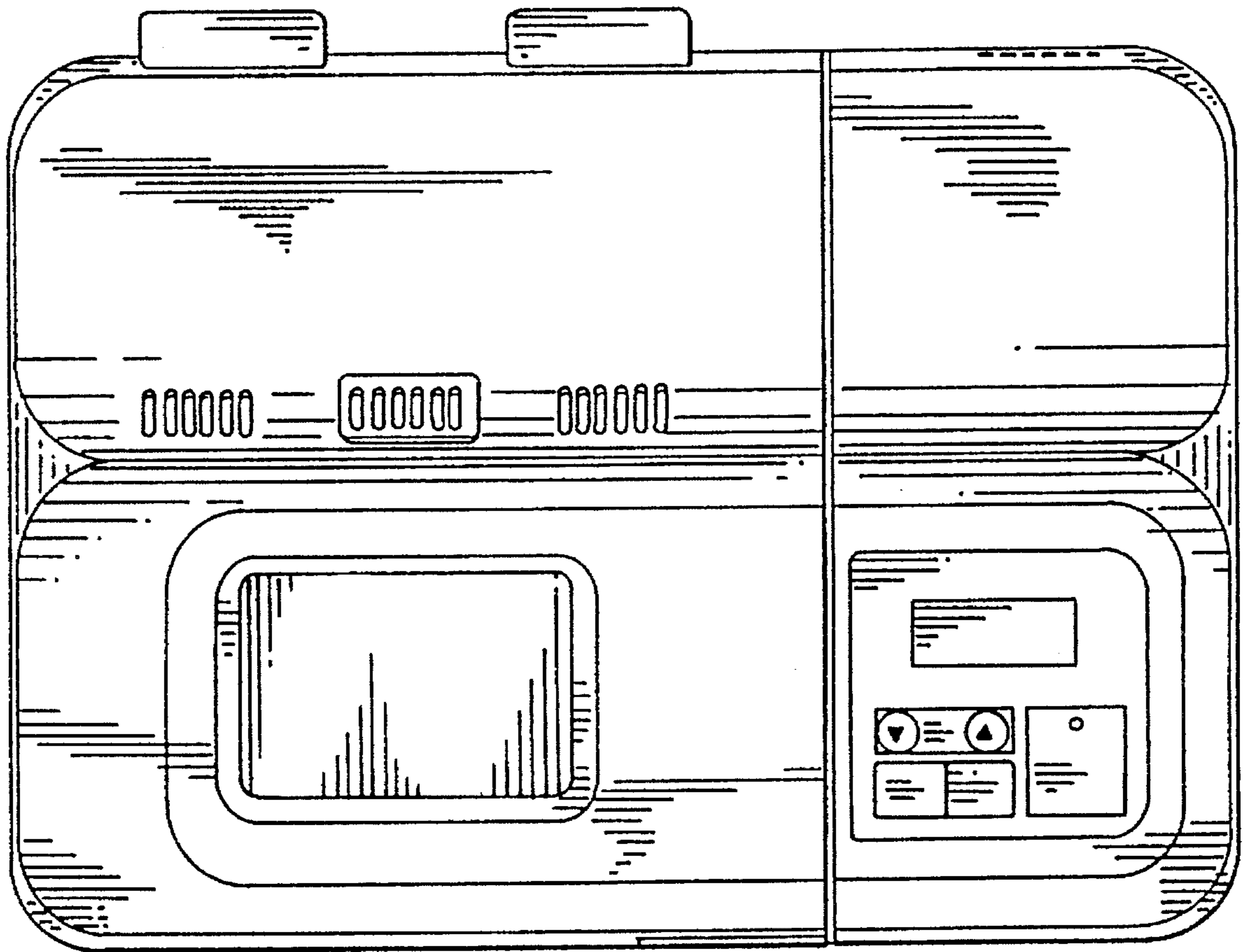


FIG. 2

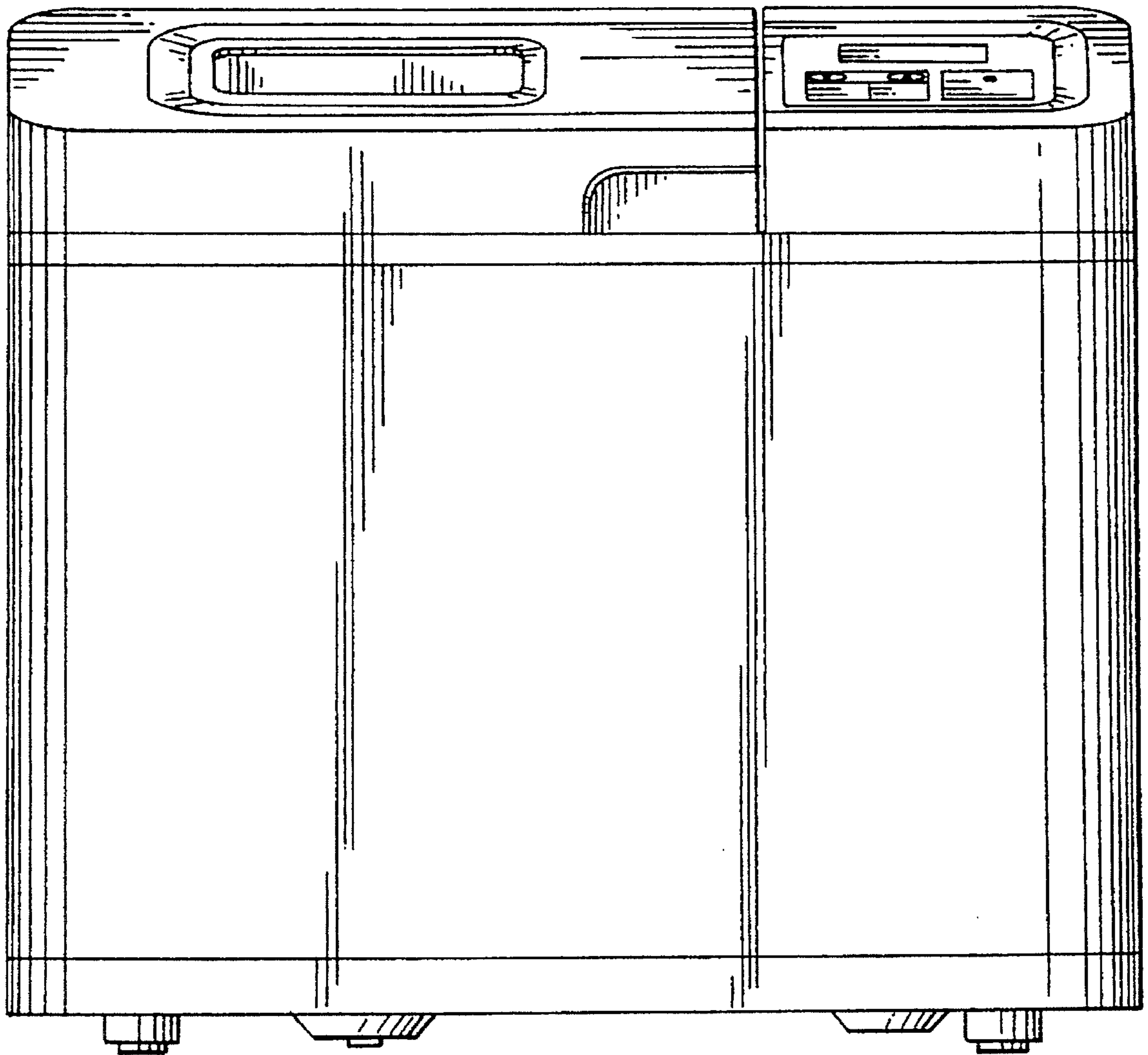


FIG. 3

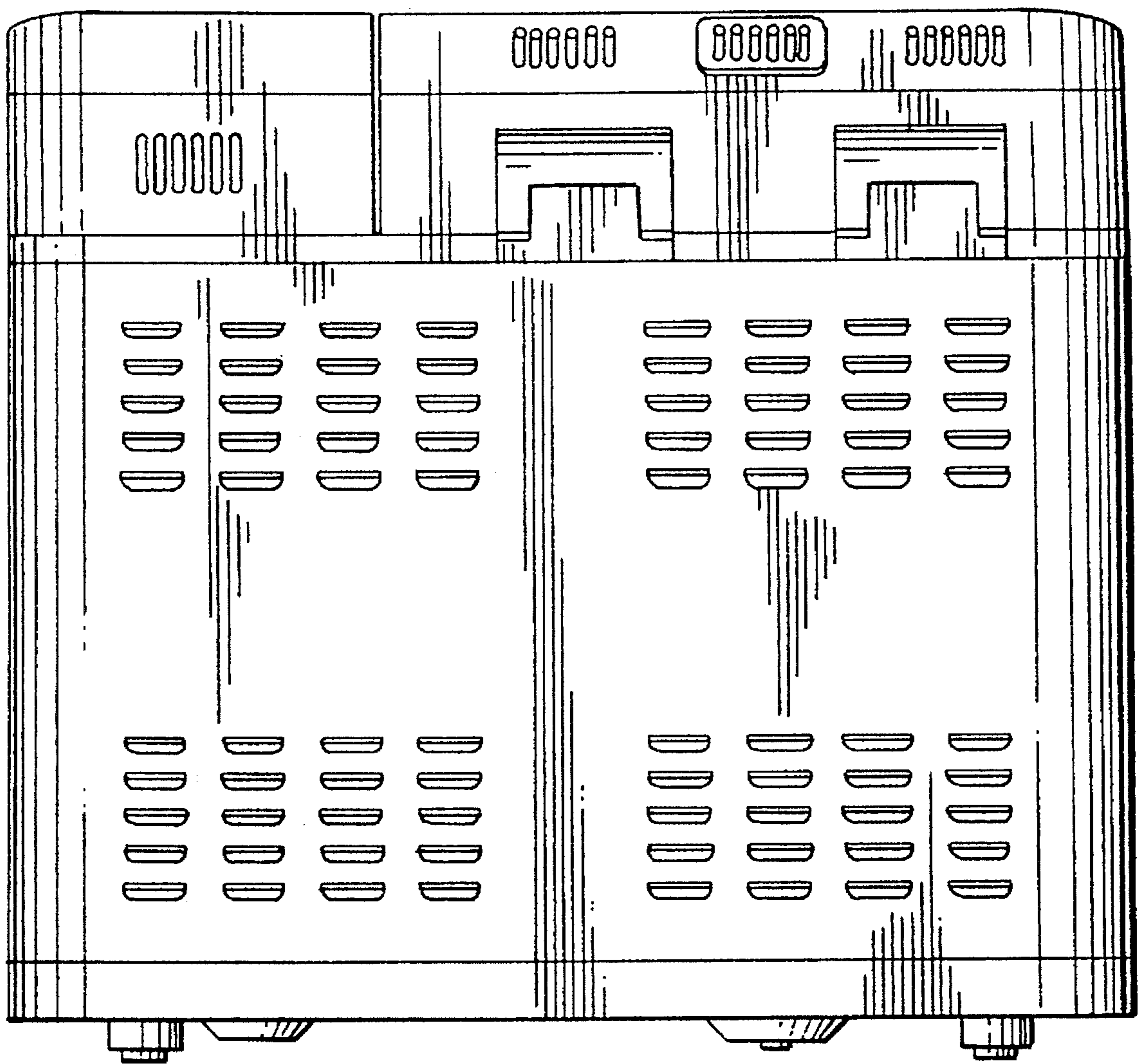


FIG. 5

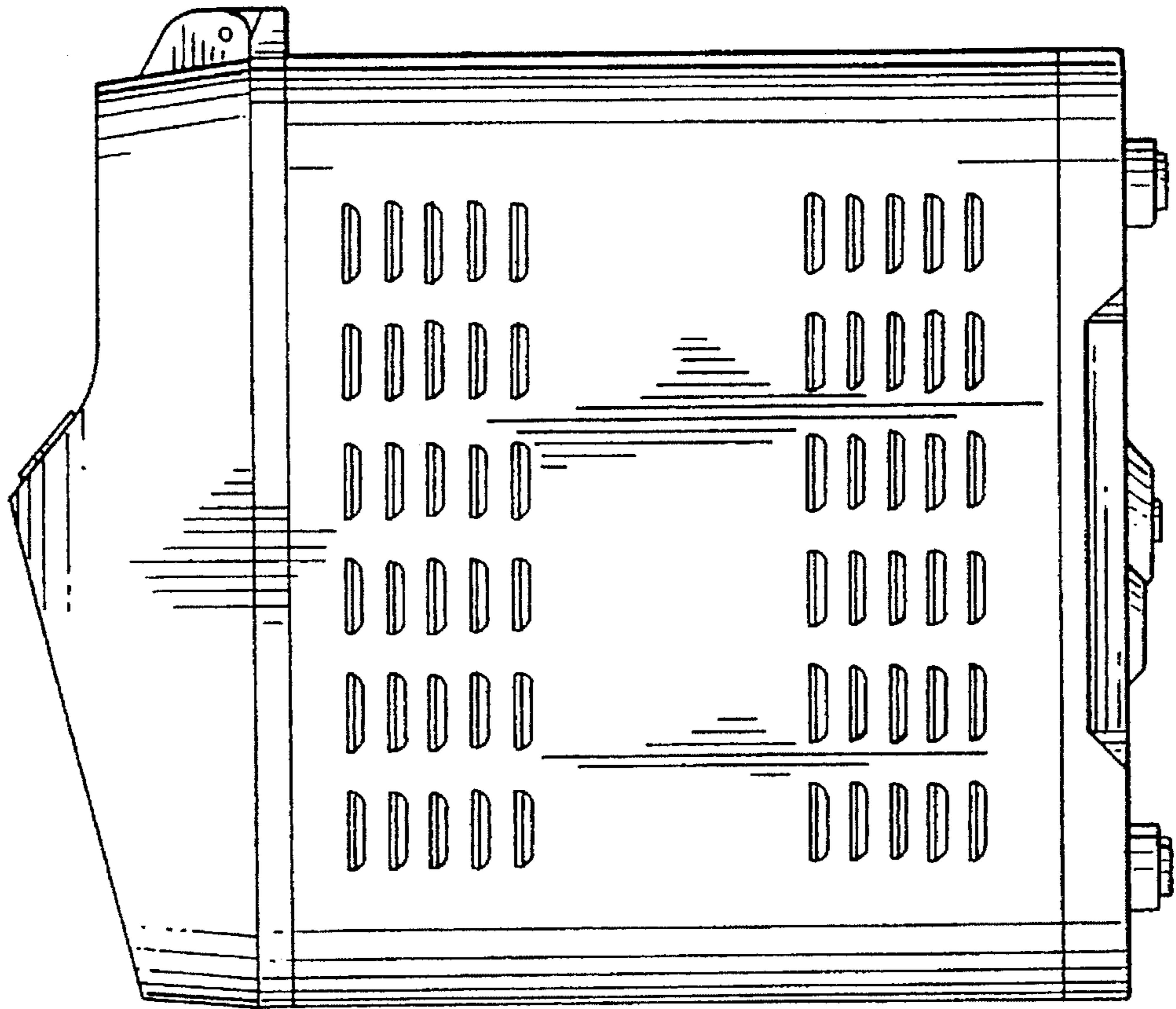


FIG. 4

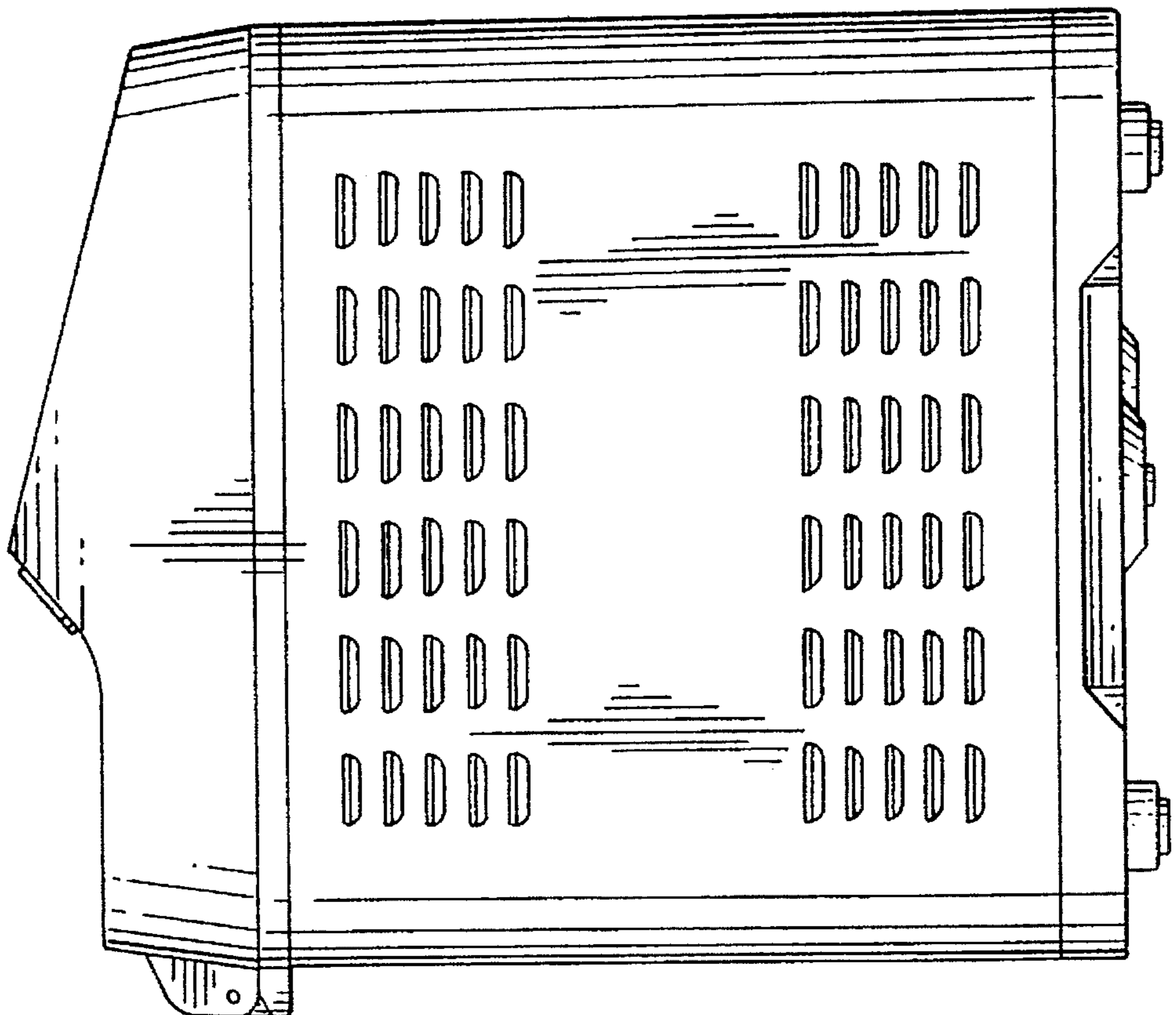


FIG. 6

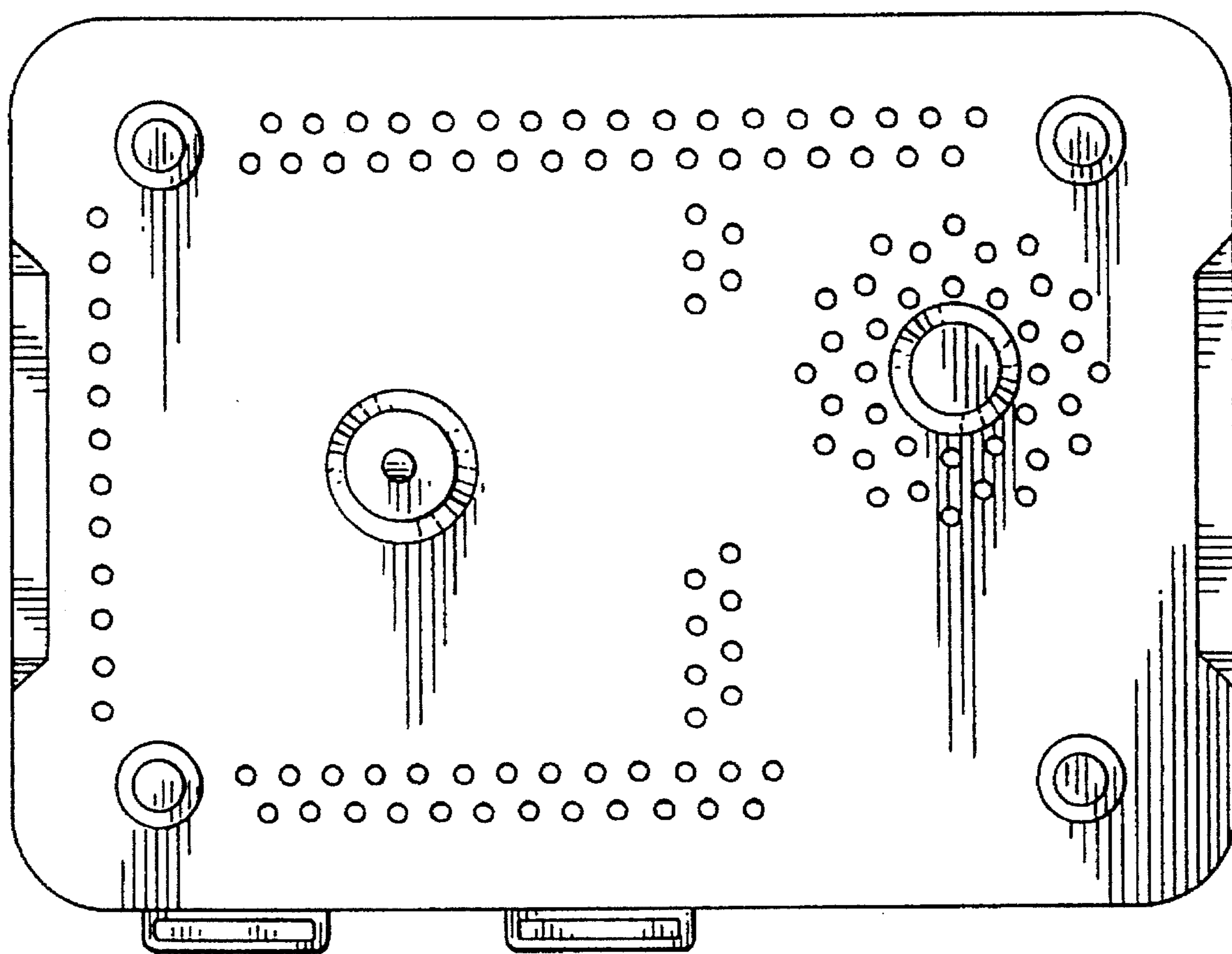


FIG. 7

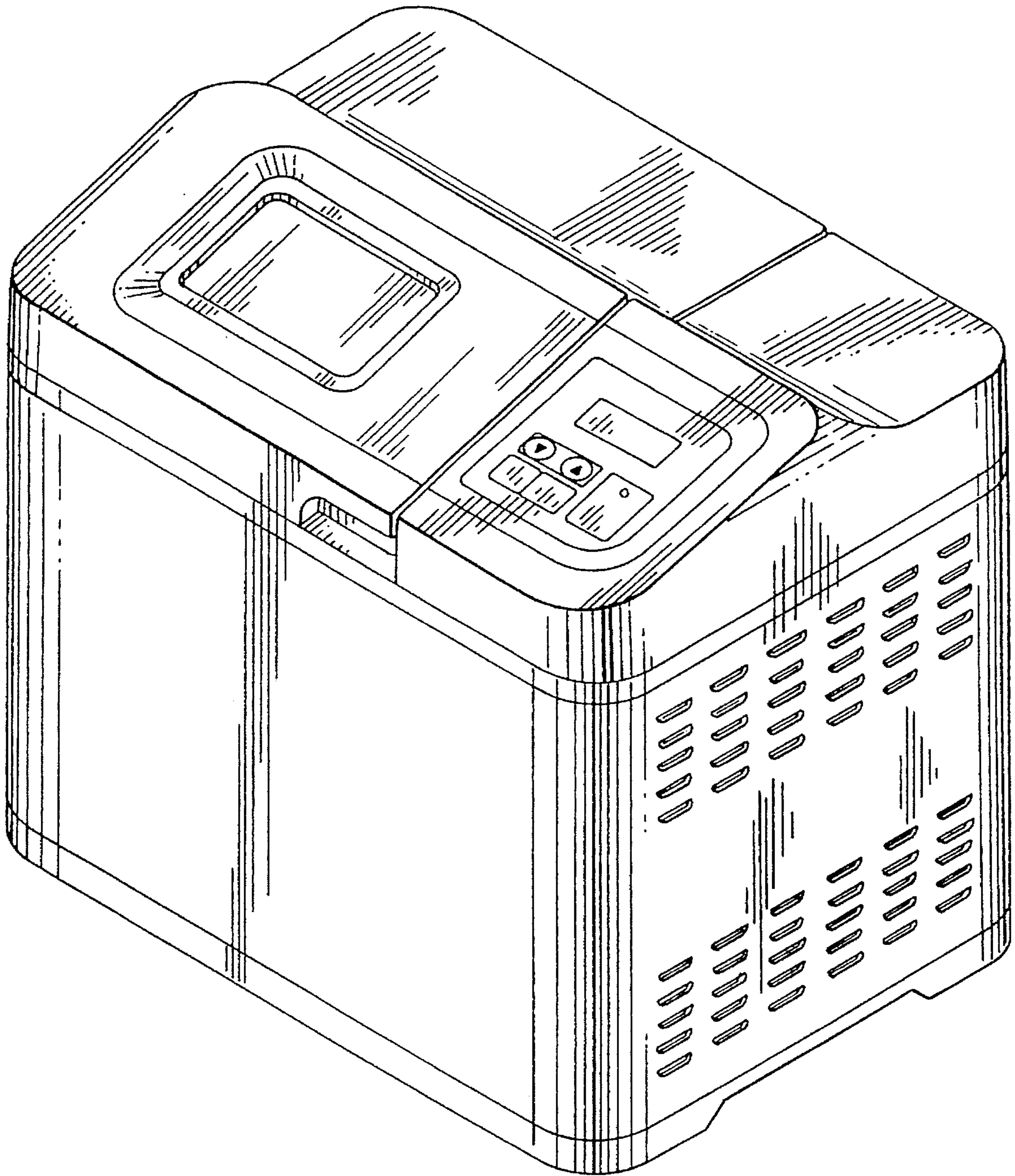


FIG. 8

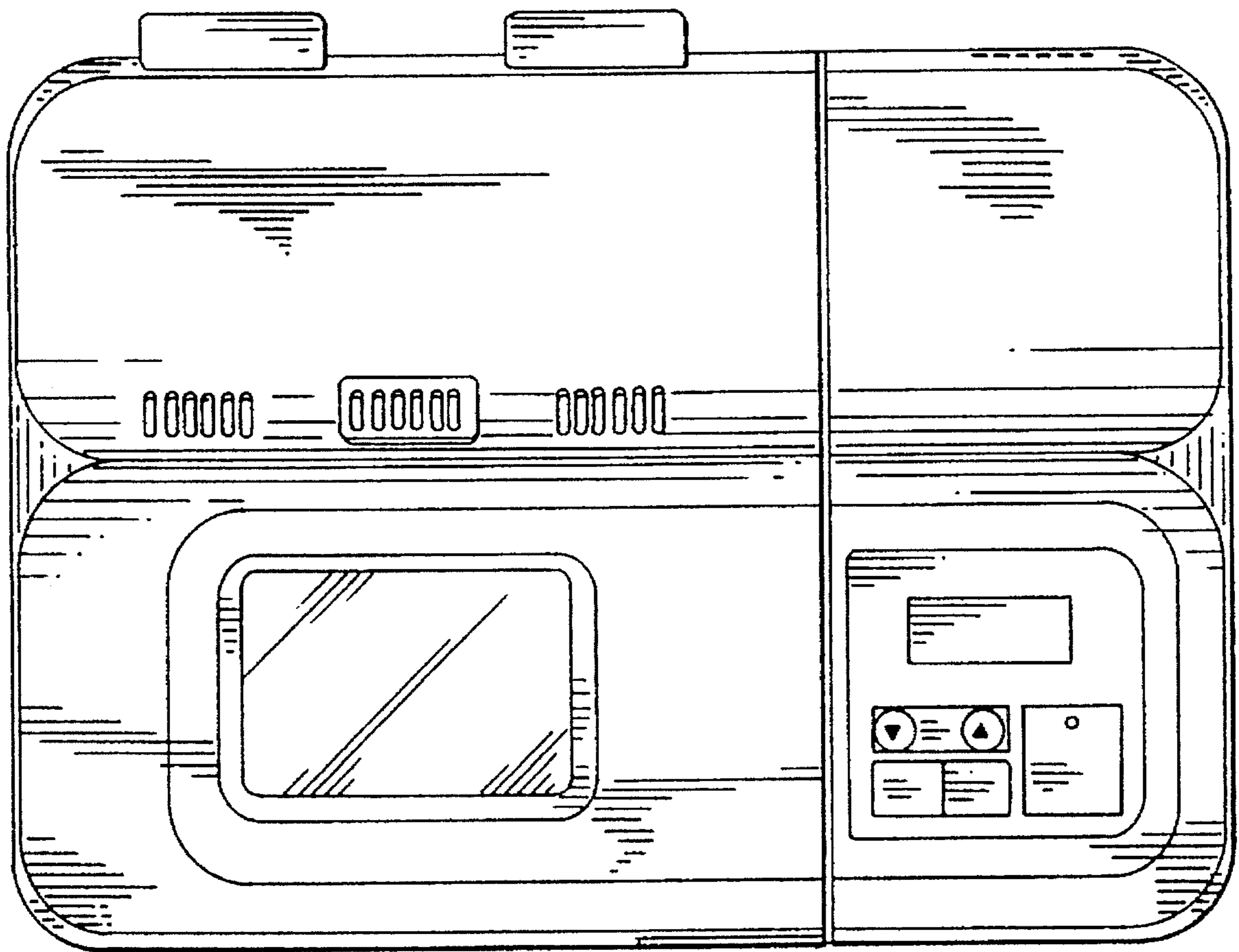


FIG. 9

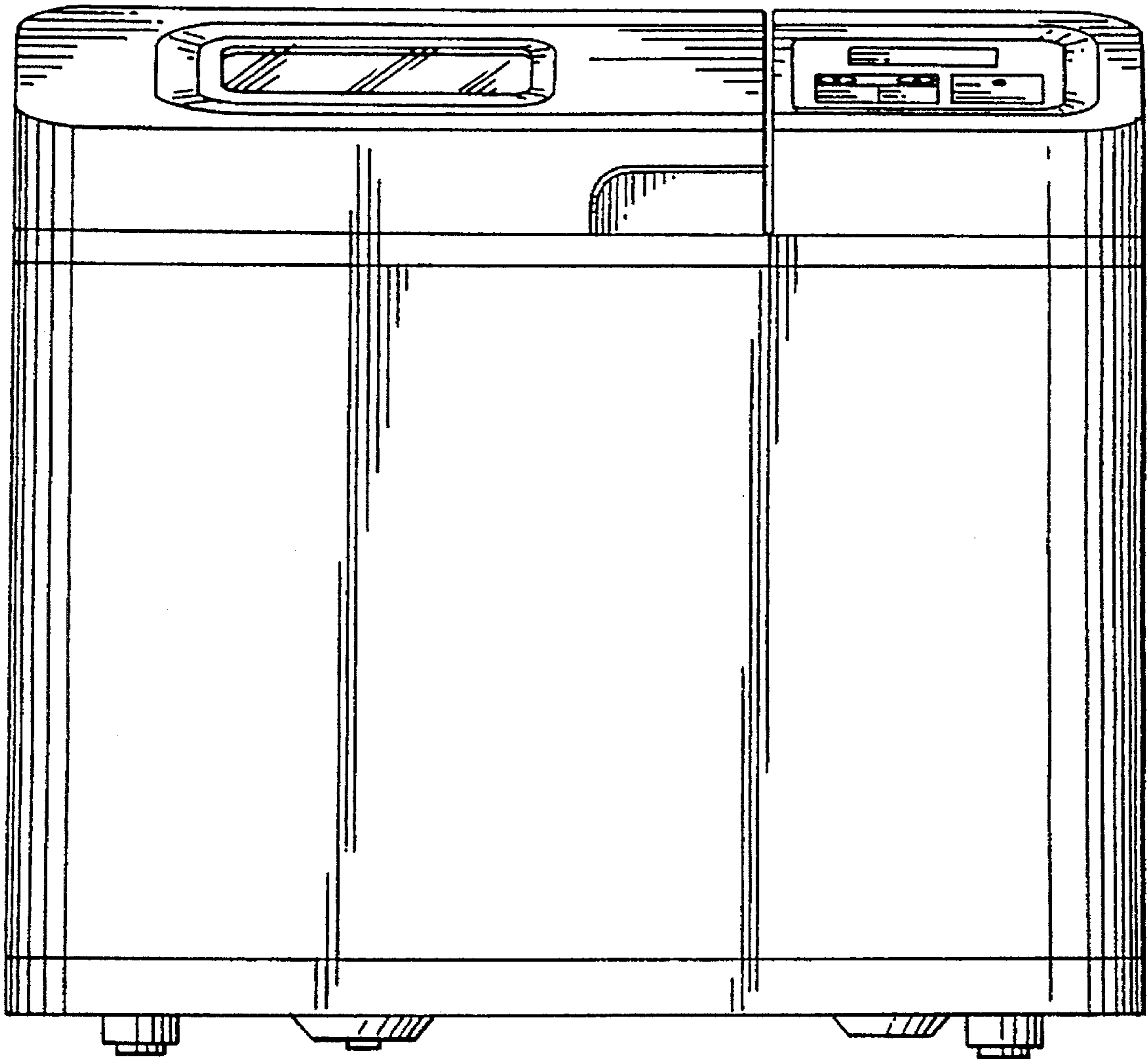


FIG. 10

