



US00D366387S

# United States Patent [19]

[11] Patent Number: **Des. 366,387**

**Malmborg et al.**

[45] Date of Patent: **\*\*Jan. 23, 1996**

[54] **WATER DISPENSER**

[75] Inventors: **Richard D. Malmborg**, San Ramon;  
**Marcy A. Radlauer**, San Francisco,  
both of Calif.; **Curtis M. Berry**, El  
Paso, Tex.; **Jay L. Flom**, Albany, Calif.

[73] Assignee: **The Clorox Company**, Oakland, Calif.

[\*\*] Term: **14 Years**

[21] Appl. No.: **30,409**

[22] Filed: **Oct. 28, 1994**

[52] U.S. Cl. .... **D7/313; D9/527; D7/312**

[58] Field of Search ..... **D7/300, 306, 307,**  
**D7/308, 313, 312, 321, 322; D9/526, 432,**  
**527, 522, 528, 516**

[56] **References Cited**

**U.S. PATENT DOCUMENTS**

D. 101,876	11/1936	Lalinski	.....	D7/313
D. 155,116	9/1949	Addleston et al.	.....	D7/313
D. 259,232	5/1981	Tarozzi	.....	D7/313
D. 308,340	6/1990	Ilsen et al.	.....	D9/432 X
D. 349,417	8/1994	Malmborg et al.	.....	D7/306
D. 354,414	1/1995	Westgedes	.....	D7/527
3,315,850	4/1967	Gran	.....	D7/313 X

*Primary Examiner*—Alan P. Douglas  
*Assistant Examiner*—M. N. Pandozzi  
*Attorney, Agent, or Firm*—Michael J. Mazza

[57] **CLAIM**

The ornamental design for a water dispenser, as described as shown.

**DESCRIPTION**

FIG. 1 is a perspective view of a water dispenser embodying our new design;

FIG. 2 is a front elevational view of the water dispenser of FIG. 1;

FIG. 3 is a back elevational view of the water dispenser of FIG. 1;

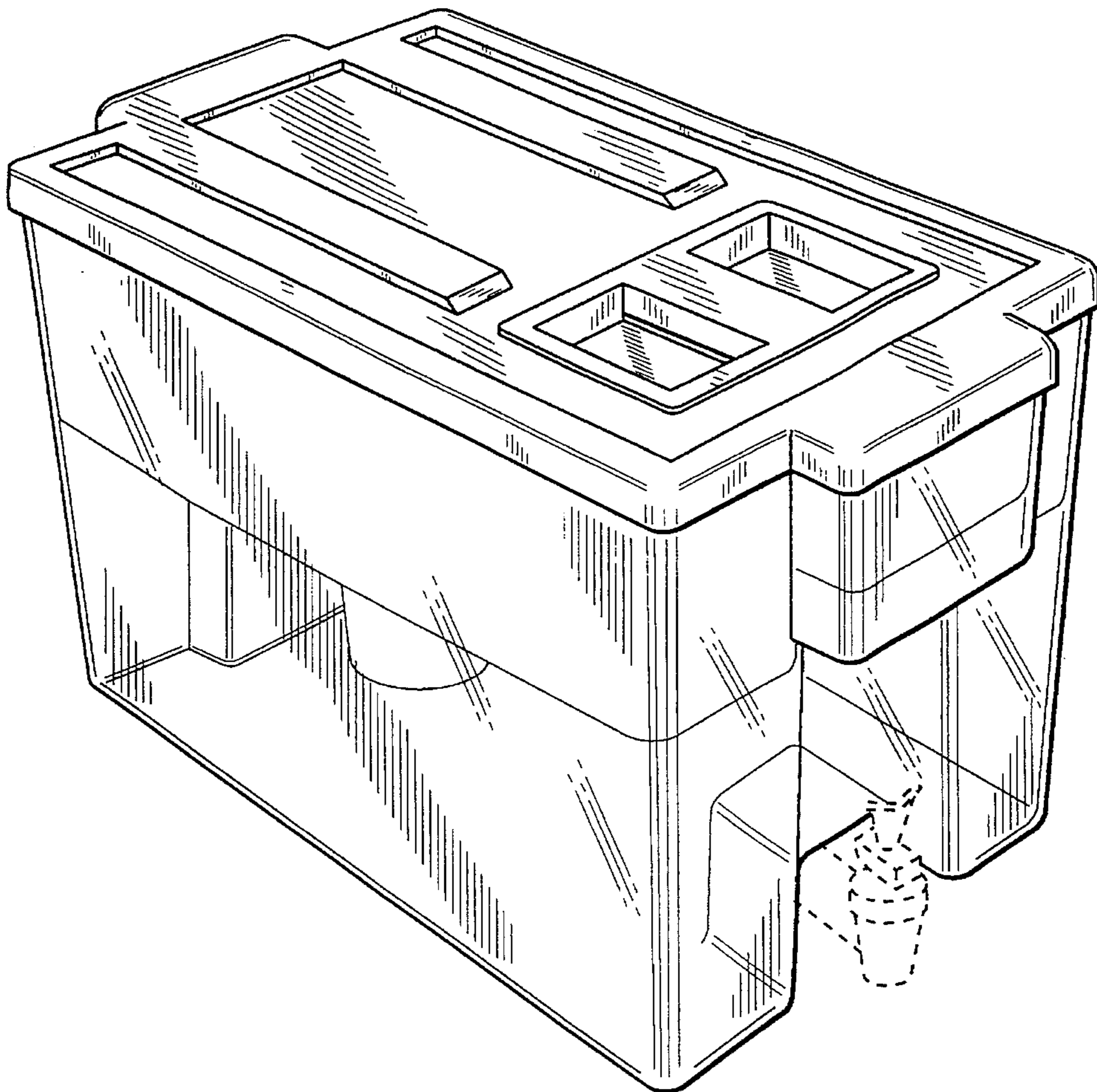
FIG. 4 is a side elevational view of the water dispenser of FIG. 1;

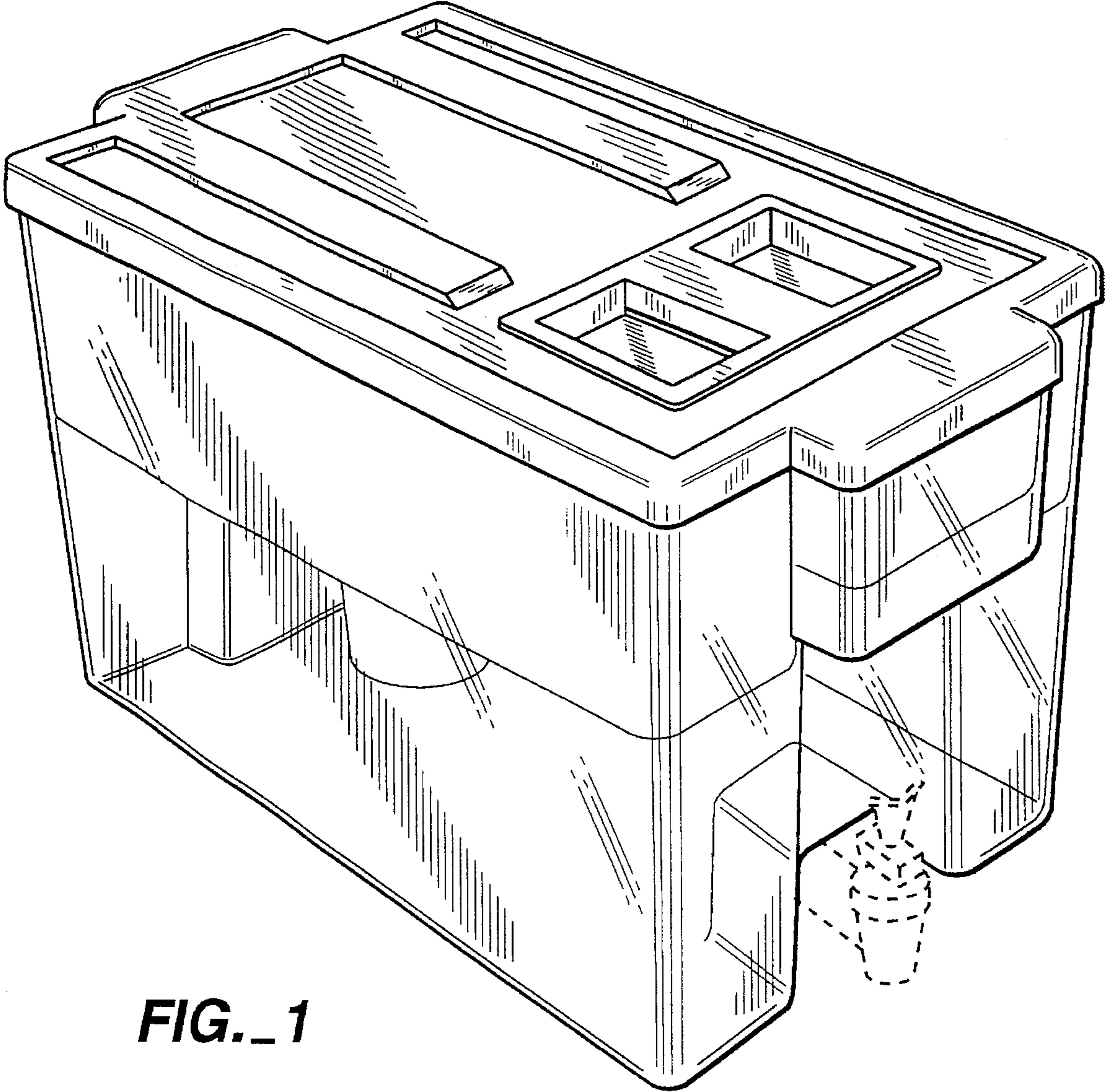
FIG. 5 is a top plan view of the water dispenser of FIG. 1; and,

FIG. 6 is a bottom plan view of the water dispenser of FIG. 1.

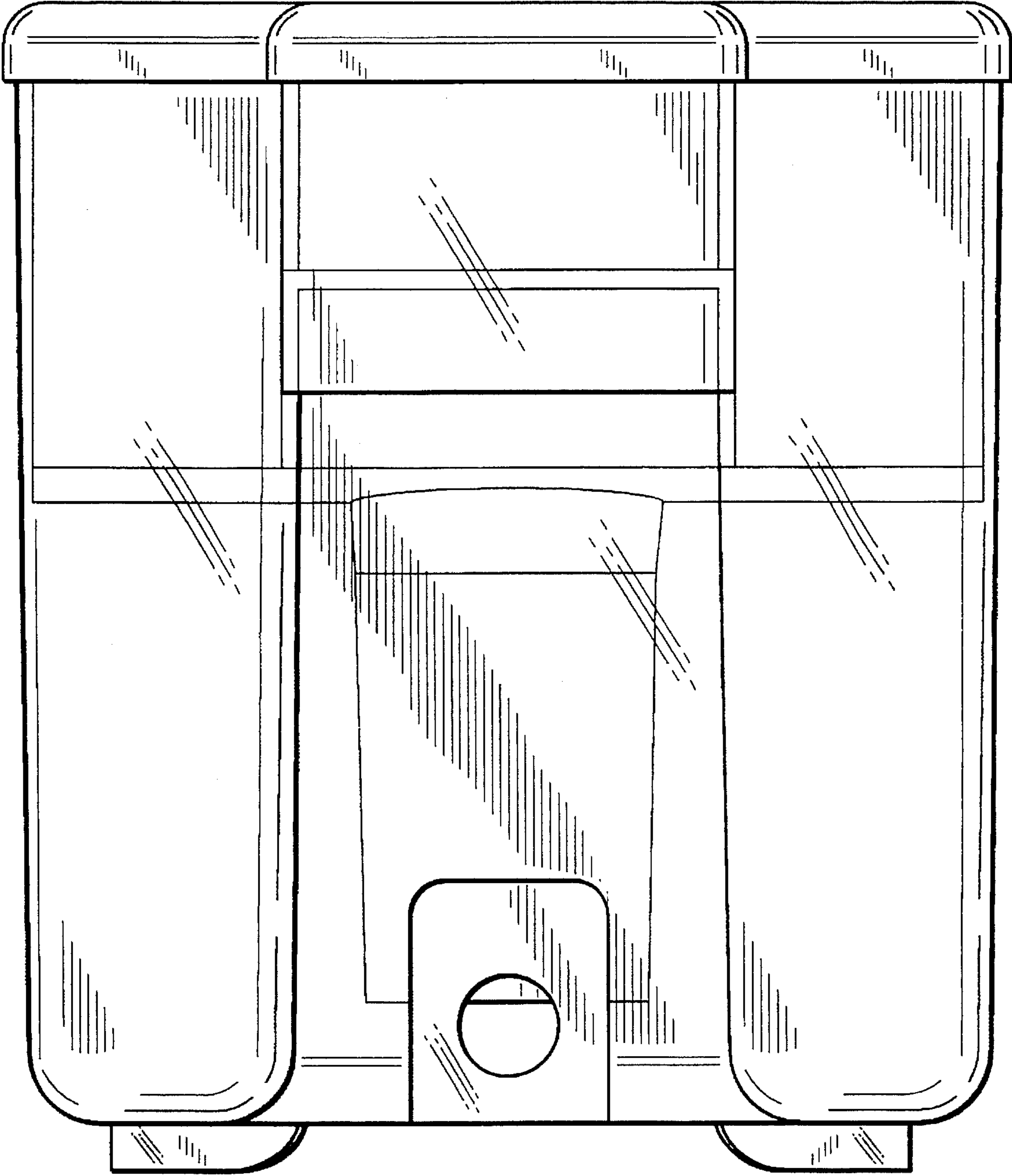
The broken line showing of a spout in FIG. 1 is for illustrative purposes only and forms no part of the claimed design.

**1 Claim, 6 Drawing Sheets**

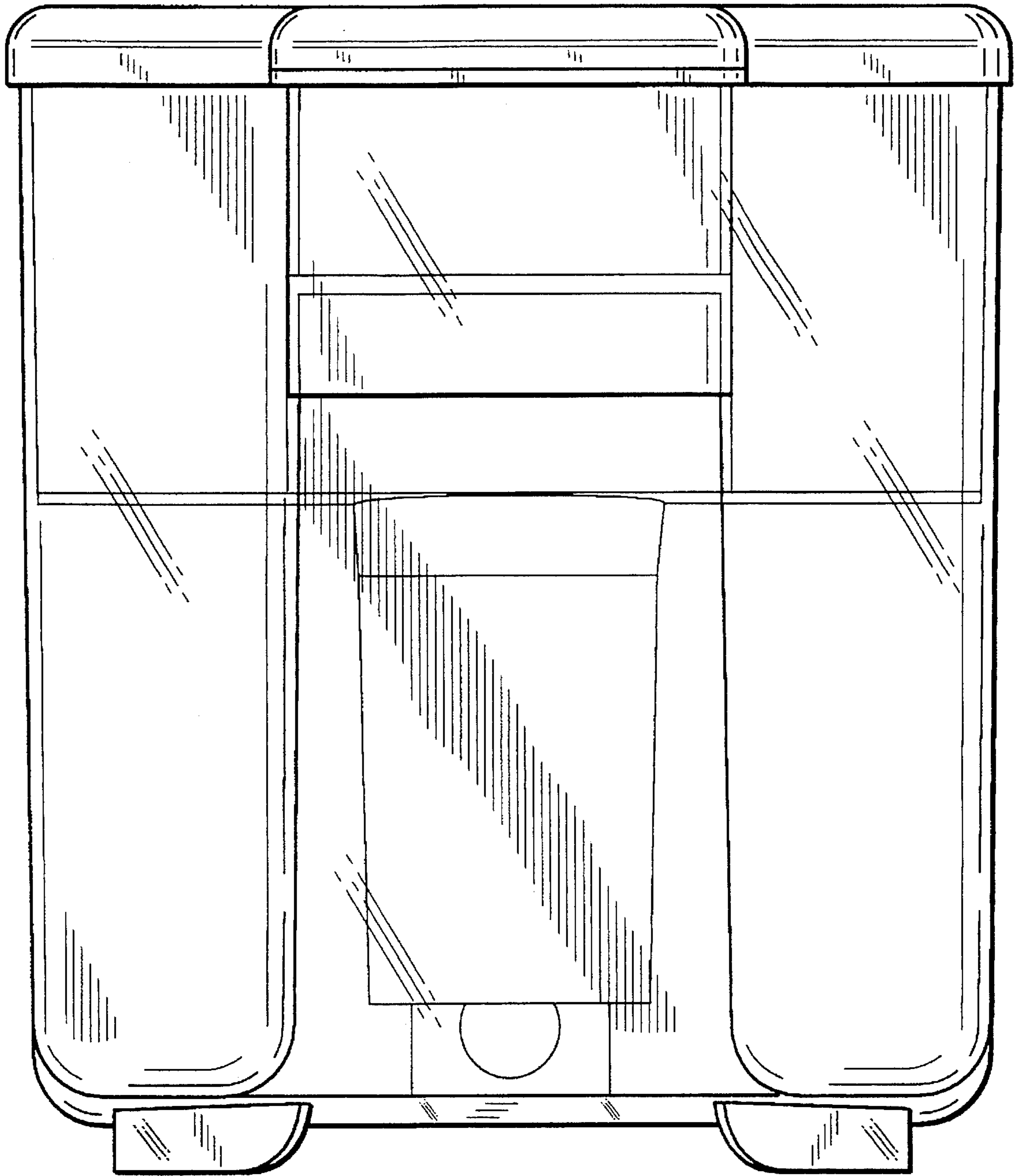




**FIG. 1**



**FIG. 2**



**FIG. 3**

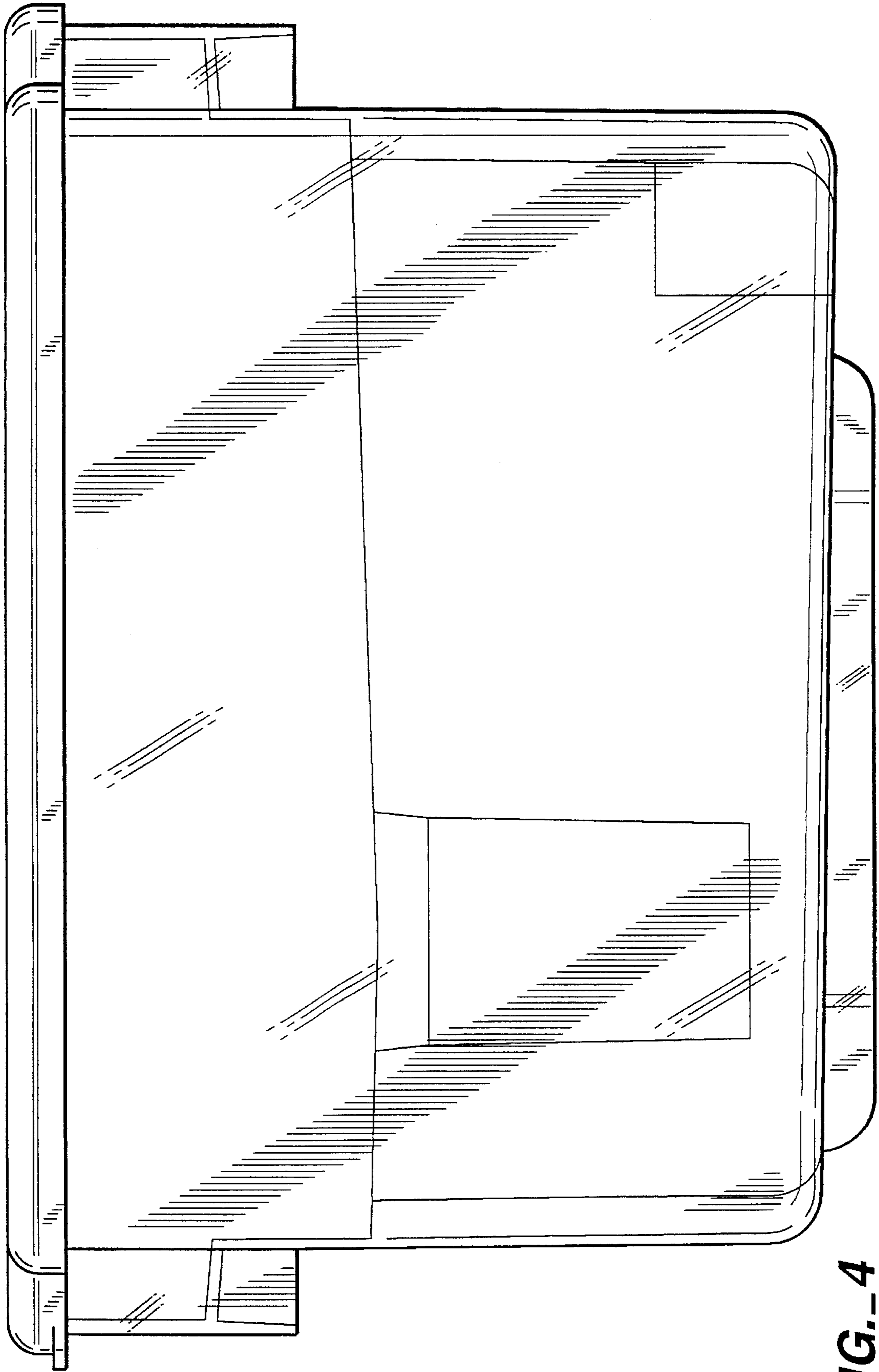
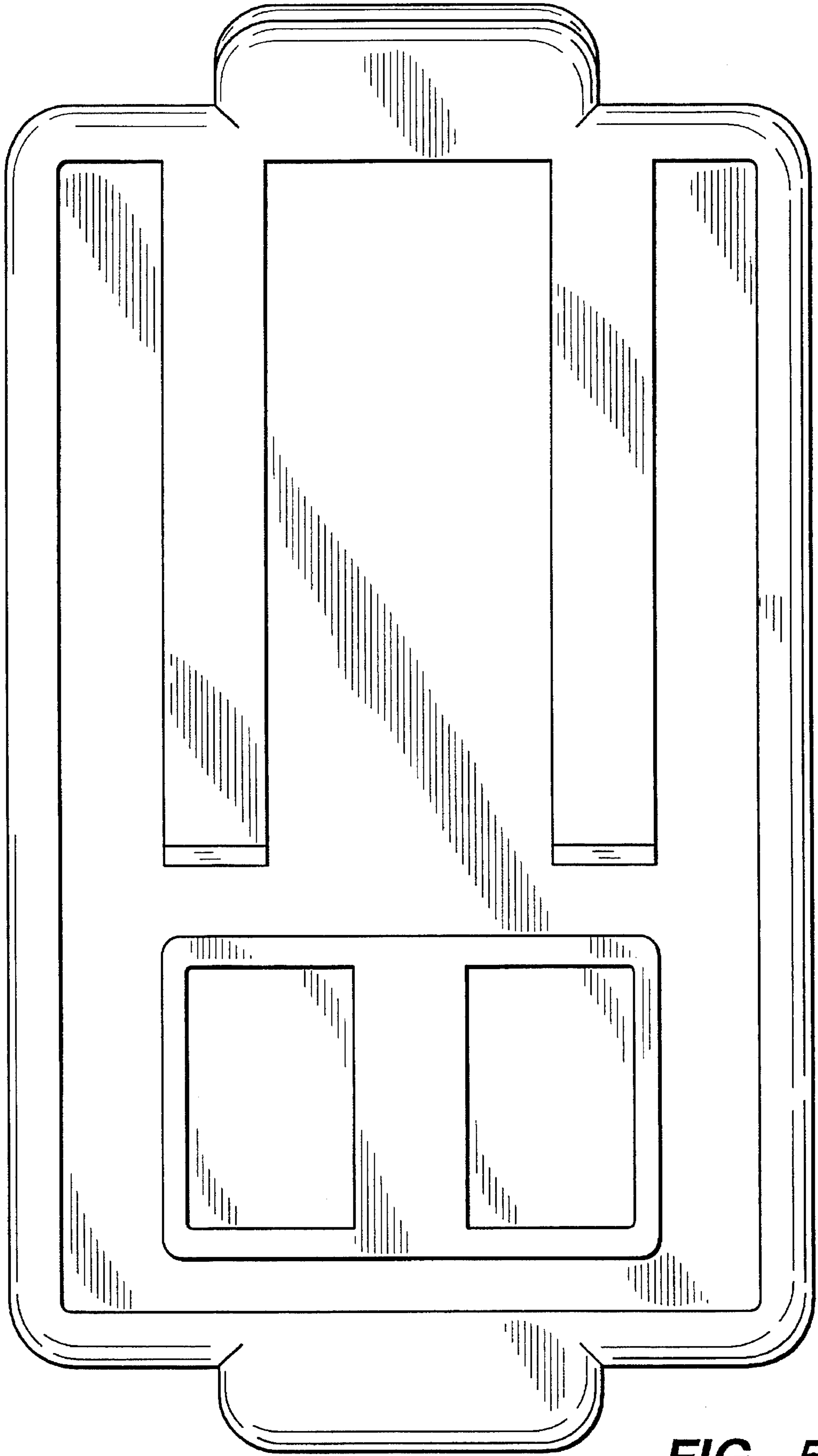
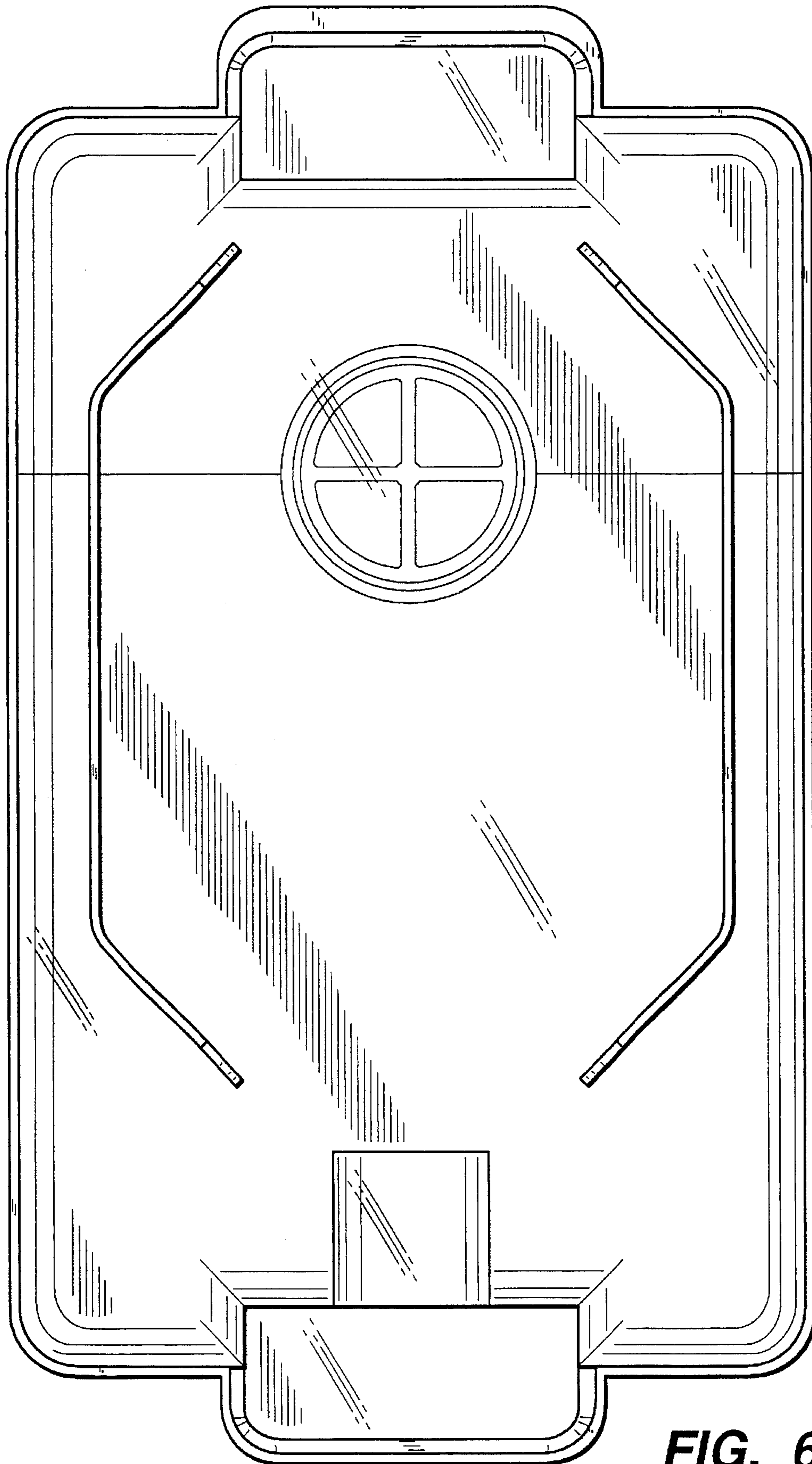


FIG. 4



**FIG. 5**



**FIG. 6**